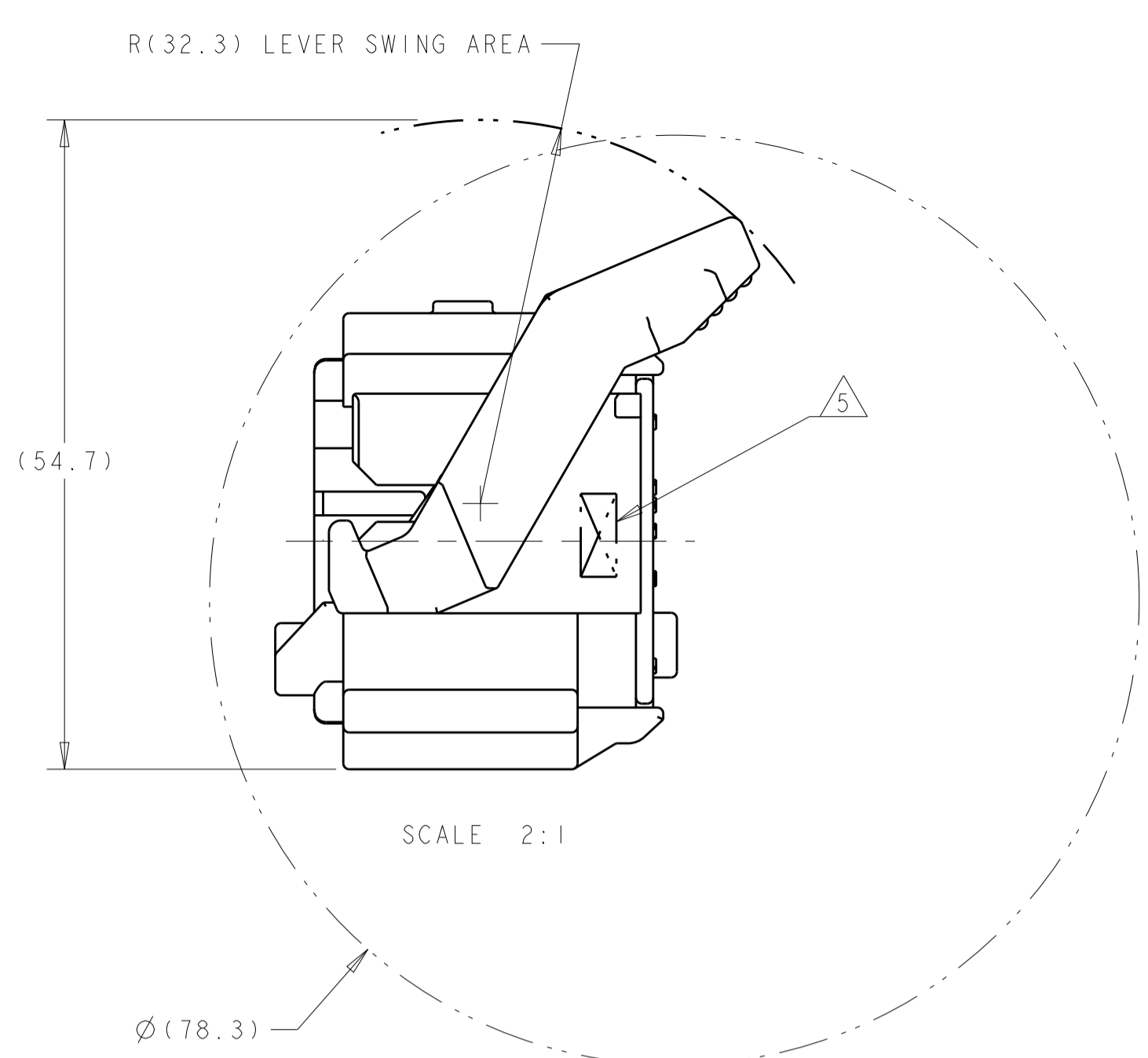
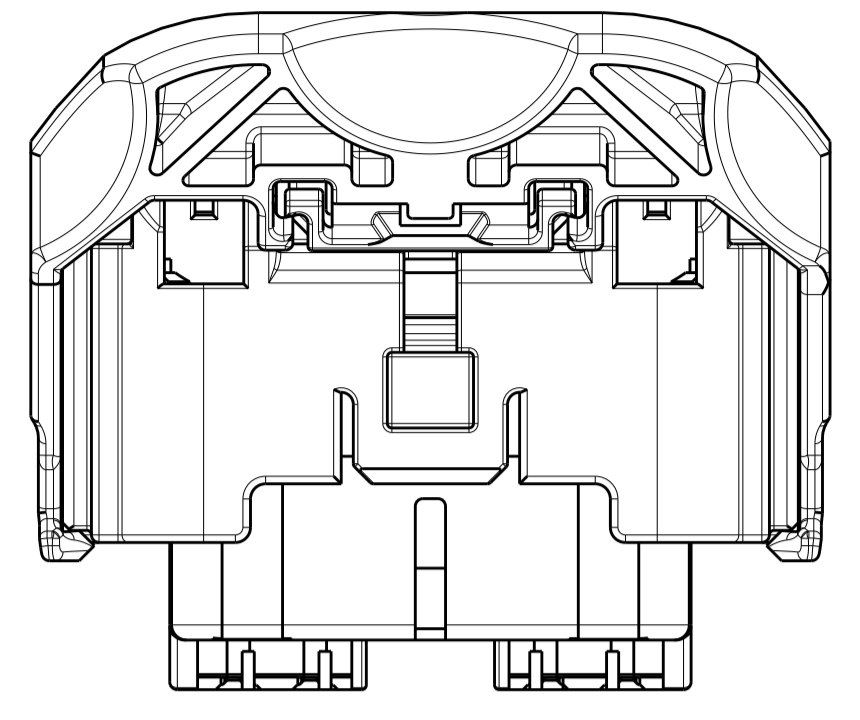
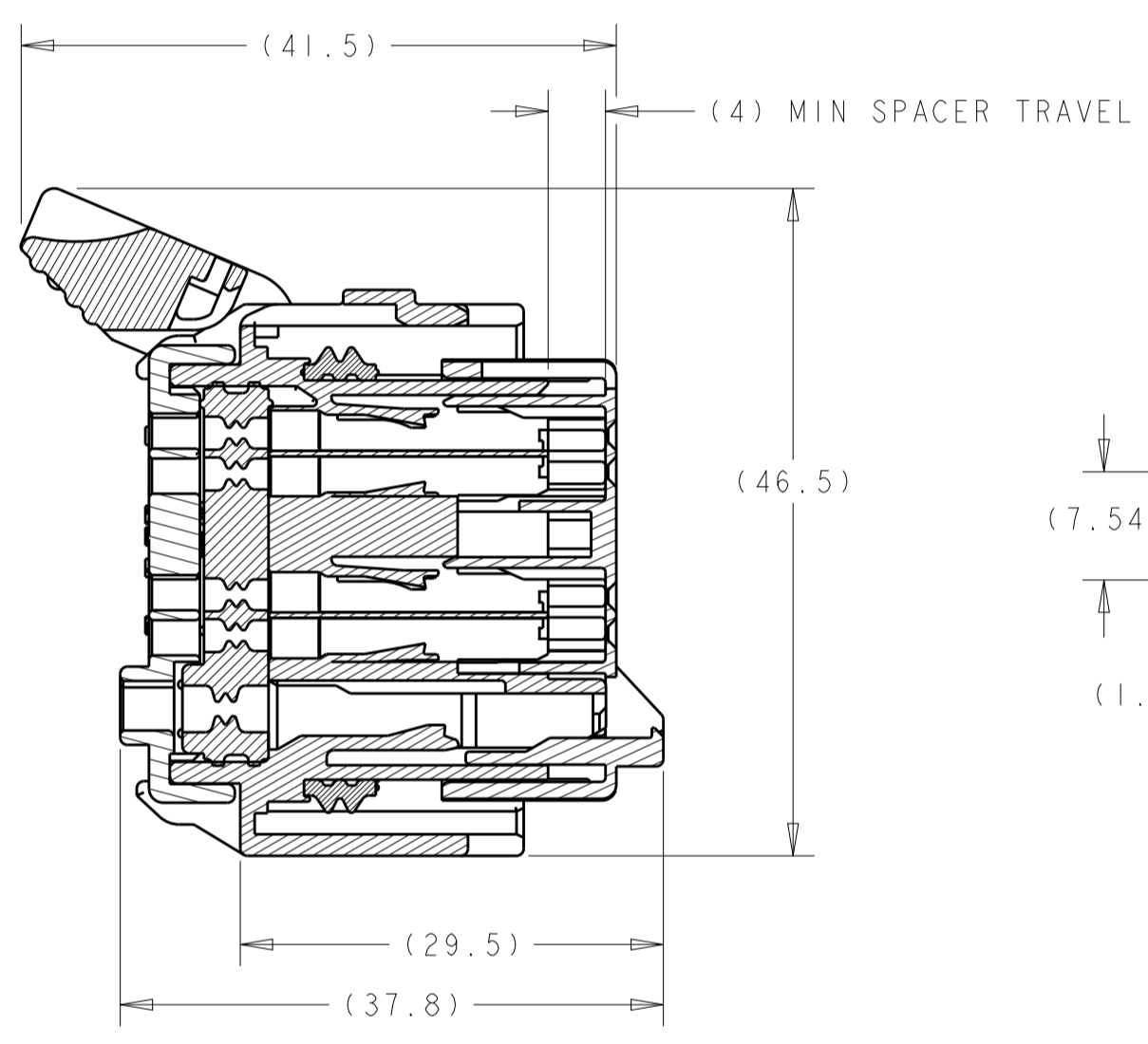


1438129-1
SHOWN WITH SPACER
IN SEATED POSITION

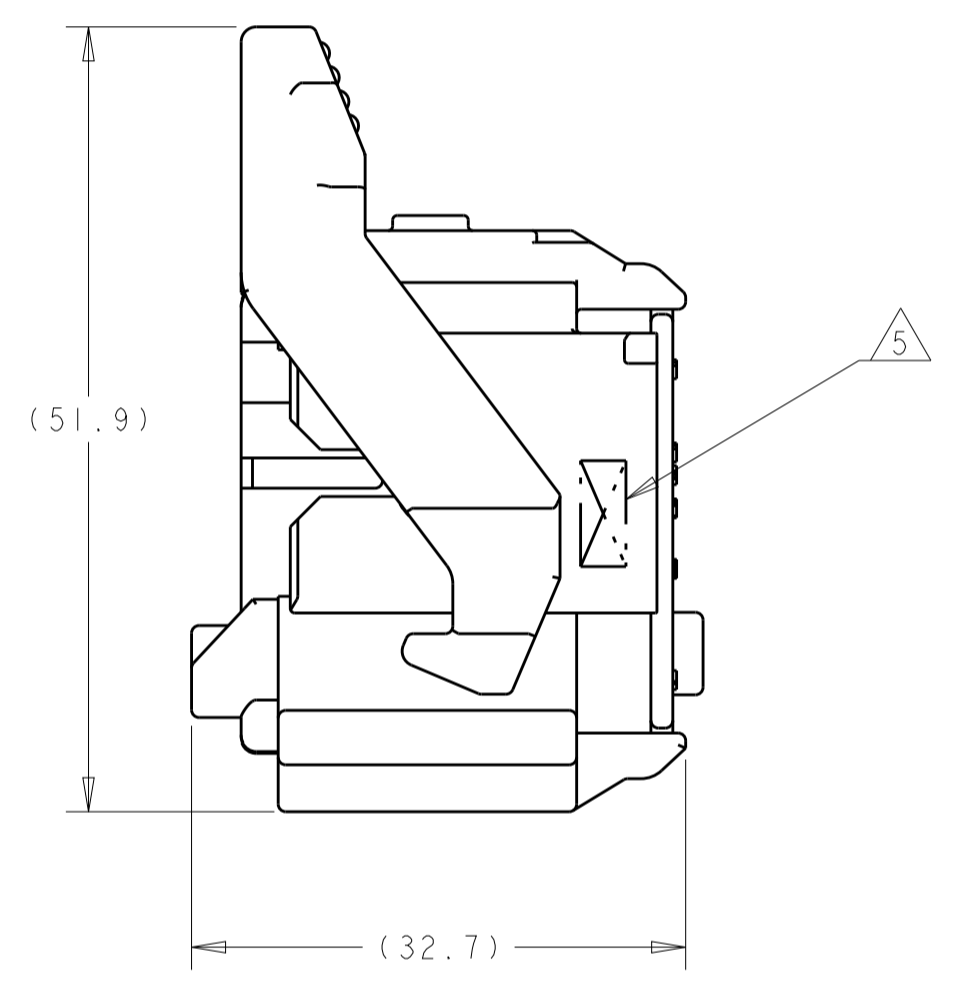
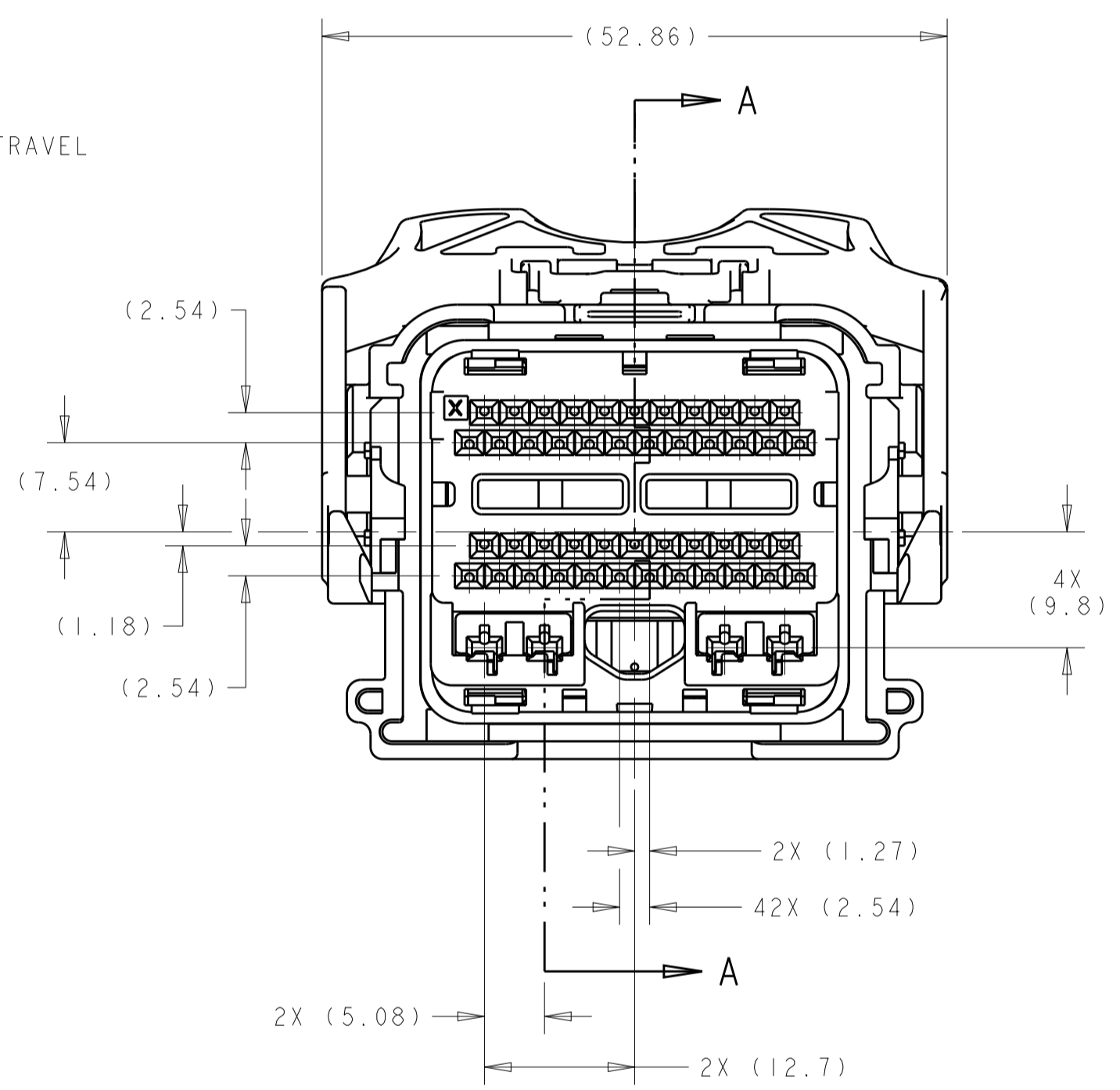


SCALE 2:1

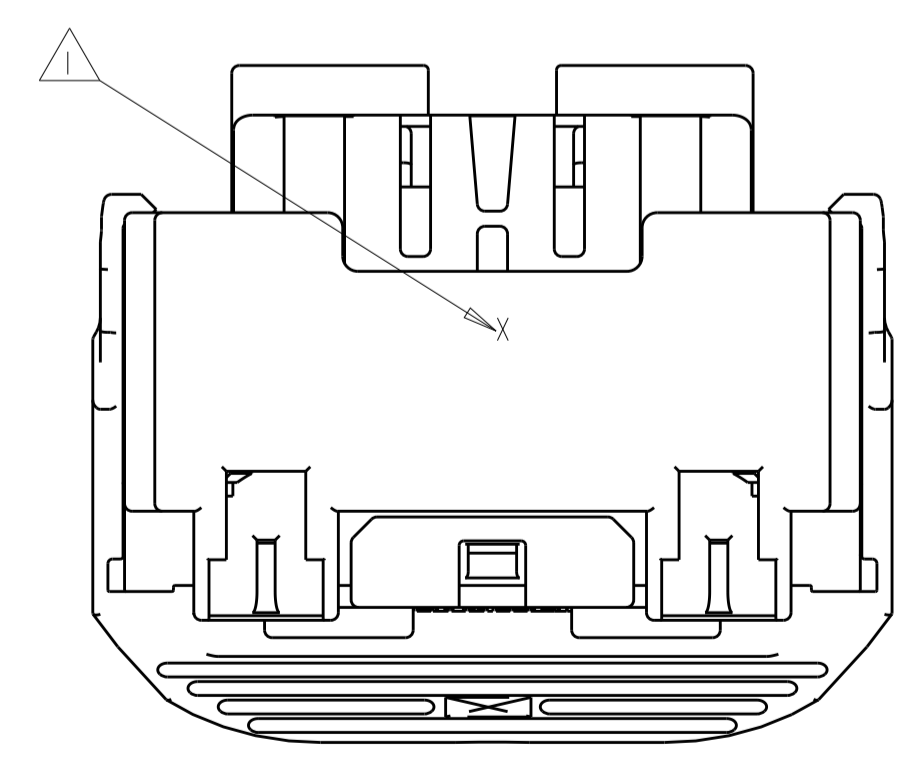
MIN. FEED THRU
CONDITION WITH 1mm
CLEARANCE ALL AROUND
SHOWN WITH SPACER IN SEATED POSITION



SECTION A-A
SPACER AND LEVER IN
PRE-SEATED POSITION
(DELIVERY CONDITION)

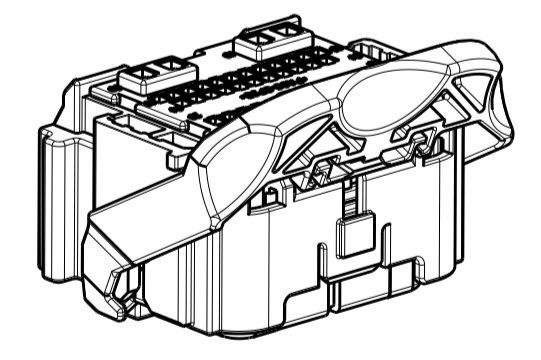


SHOWN WITH CAM
LEVER AND SPACER
IN LOADED POSITION



REVISIONS					
P.	LTN.	DESCRIPTION	DATE	DWN.	APVD.
F38		REVISED PER ECO-19-001669	19FEB2019	JMS	CM
F39		REVISED PER ECO-19-019471	08JAN2020	JMS	CM
F40		REVISED PER ECO-20-005499	21MAY2020	JMS	CM
F41		REVISED PER ECO-20-012739	05OCT2020	AP	CM

- 1. PRINT PART NUMBER (5S4T-14A464-L*-***, 5S4T-14A464-M*-***, 5S4T-14A464-N*-***) AND TRACEABILITY (YY : 2 DIGIT YEAR, JJJ = JULIAN DATE, HH = 2 DIGIT MILITARY HOUR CODE IN THE LOCATION AT ASSEMBLY. SEE SHEET 3 THRU 7 (-*) PART NUMBERS.
- 2. APPLICABLE MOLEX (1.5) POWER TERMINAL PART NUMBERS:
33012-0002 TIN 0.50-1.50mm²
- 3. CAM LEVER AND SPACER ARE SHIPPED IN THEIR PRE-ASSEMBLED POSITIONS.
- 4. REFERENCE TE CONNECTIVITY INSTRUCTION SHEET 408-8893.
- 5. COMPANY LOGO.
- 6. OBSOLETE PART.



SCALE 1:1

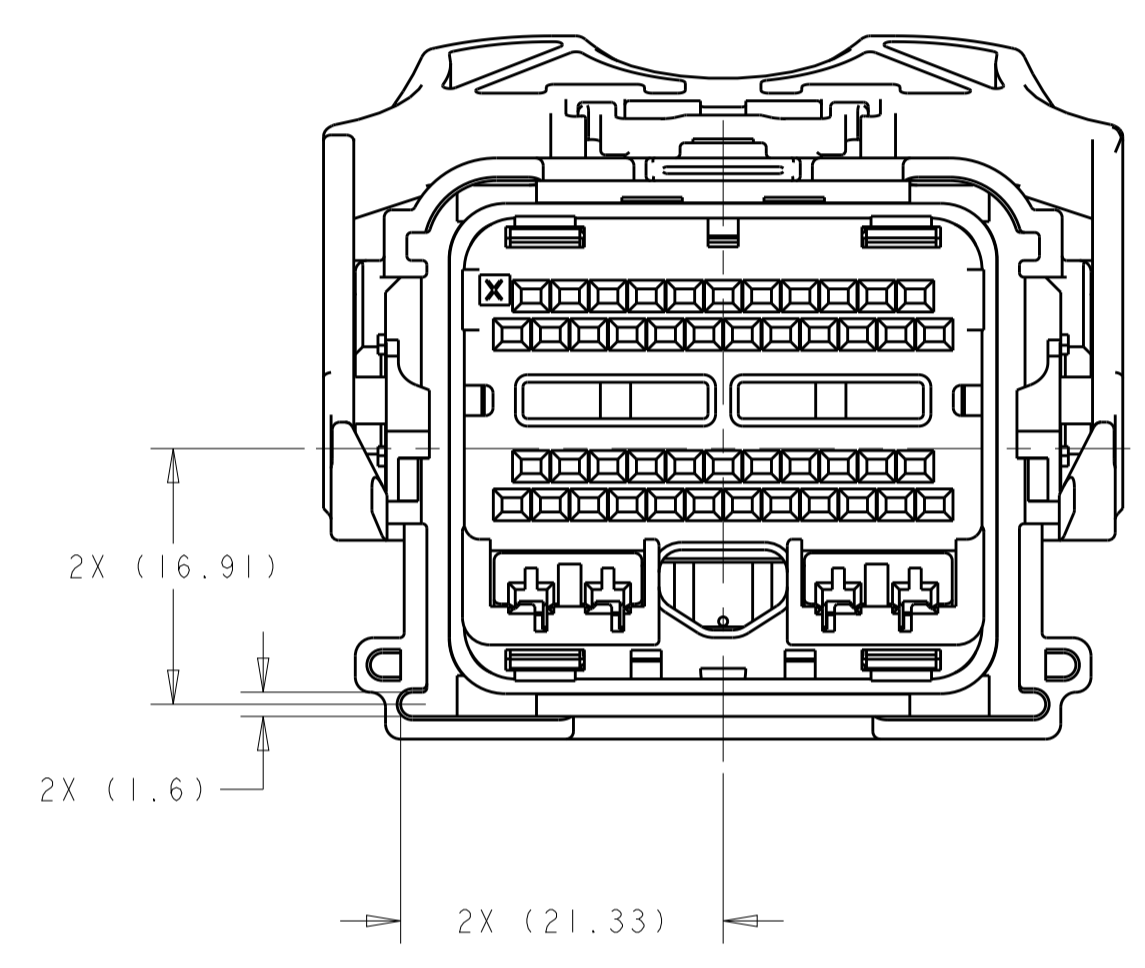
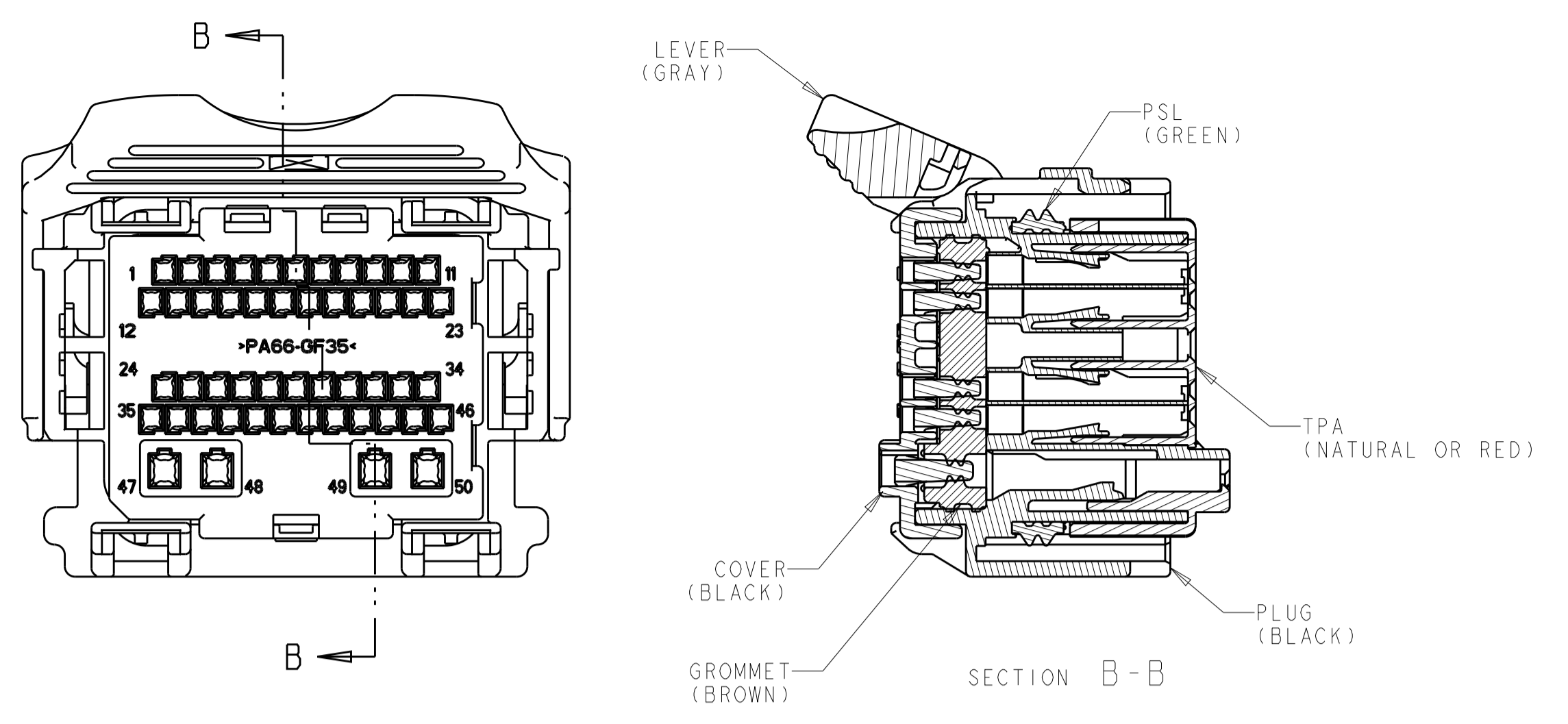
APPLICABLE COMPONENTS (FOR REFERENCE ONLY)						
DESCRIPTION	NOMINAL TERMINAL SIZE	COLOR/PLATING	FORD COMPONENT PART NUMBER	SUPPLIER PART NUMBER	MATERIAL/SPECIFICATION NUMBER	SAE WIRE SIZE
TERMINAL - FEMALE (Ag)	0.64 (CAT. 0)	SILVER	7S4T-14474-AA	1393366-2	COPPER ALLOY/SILVER PLATE	20AWG
TERMINAL - FEMALE (Ag)	0.64 (CAT. 0)	SILVER	7S4T-14474-BA	1393367-2	COPPER ALLOY/SILVER PLATE	18AWG
TERMINAL - FEMALE (Sn)	0.64 (CAT. 0)	TIN	1L2T-14474-AA	1393366-1	COPPER ALLOY/TIN PLATE	20AWG
TERMINAL - FEMALE (Sn)	0.64 (CAT. 0)	TIN	1L2T-14474-BA	1393367-1	COPPER ALLOY/TIN PLATE	18AWG
TERMINAL - FEMALE (Au)	0.64 (CAT. 0)	GOLD	1L2T-14474-CA	1393365-1	COPPER ALLOY/GOLD PLATE	20AWG
TERMINAL - FEMALE (Au)	0.64 (CAT. 0)	GOLD	1L2T-14474-DA	1393364-1	COPPER ALLOY/GOLD PLATE	18AWG

ANY DESIGN CHANGES ON THIS ASSEMBLY MAY ALSO BE REQUIRED ON ASSEMBLY DRAWING 1438691

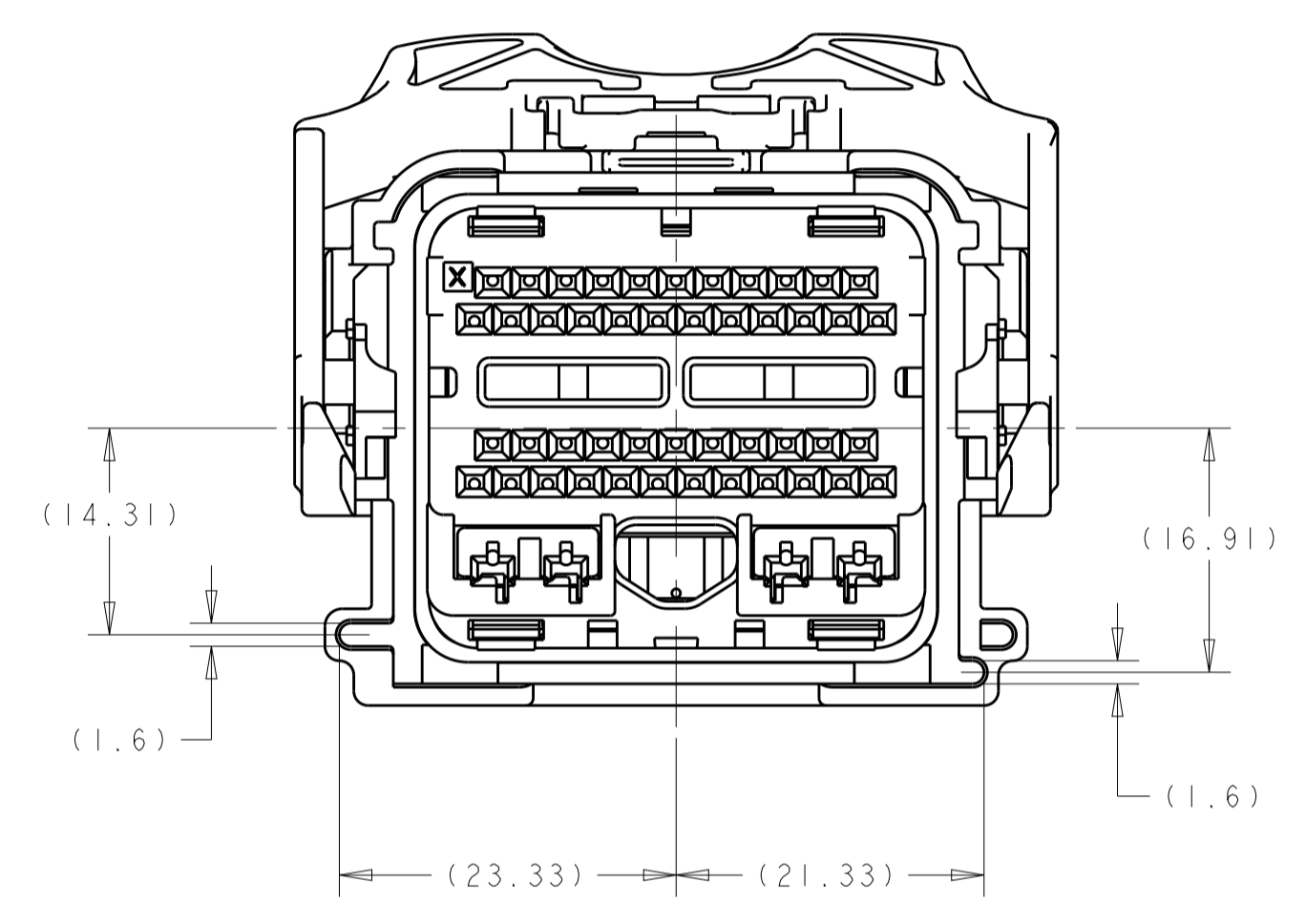
SEE TABLES
SHEETS 3 THRU 7
PART NUMBER

THIS DRAWING IS A CONTROLLED DOCUMENT.		OWN: R. VESTAL 15APR2005	
DIMENSIONS: mm		CHK: T. VALASEK 15APR2005	
TOLERANCES UNLESS OTHERWISE SPECIFIED:		APVD: T. VALASEK 15APR2005	NAME: 50-WAY HARNESS ASSEMBLY, PCM SIZE: CAGE CODE DRAWING NO: A100779C=1438129 WEIGHT: - CUSTOMER DRAWING
0 PLC ± 1 PLC ±0.3 2 PLC ±0.10 3 PLC ± 4 PLC ± ANGLES ±1°		PRODUCT SPEC: -	
MATERIAL: -		FINISH: -	RESTRICTED TO: -
SCALE: 1:1		SHEET: 1 OF 10	REV: F41

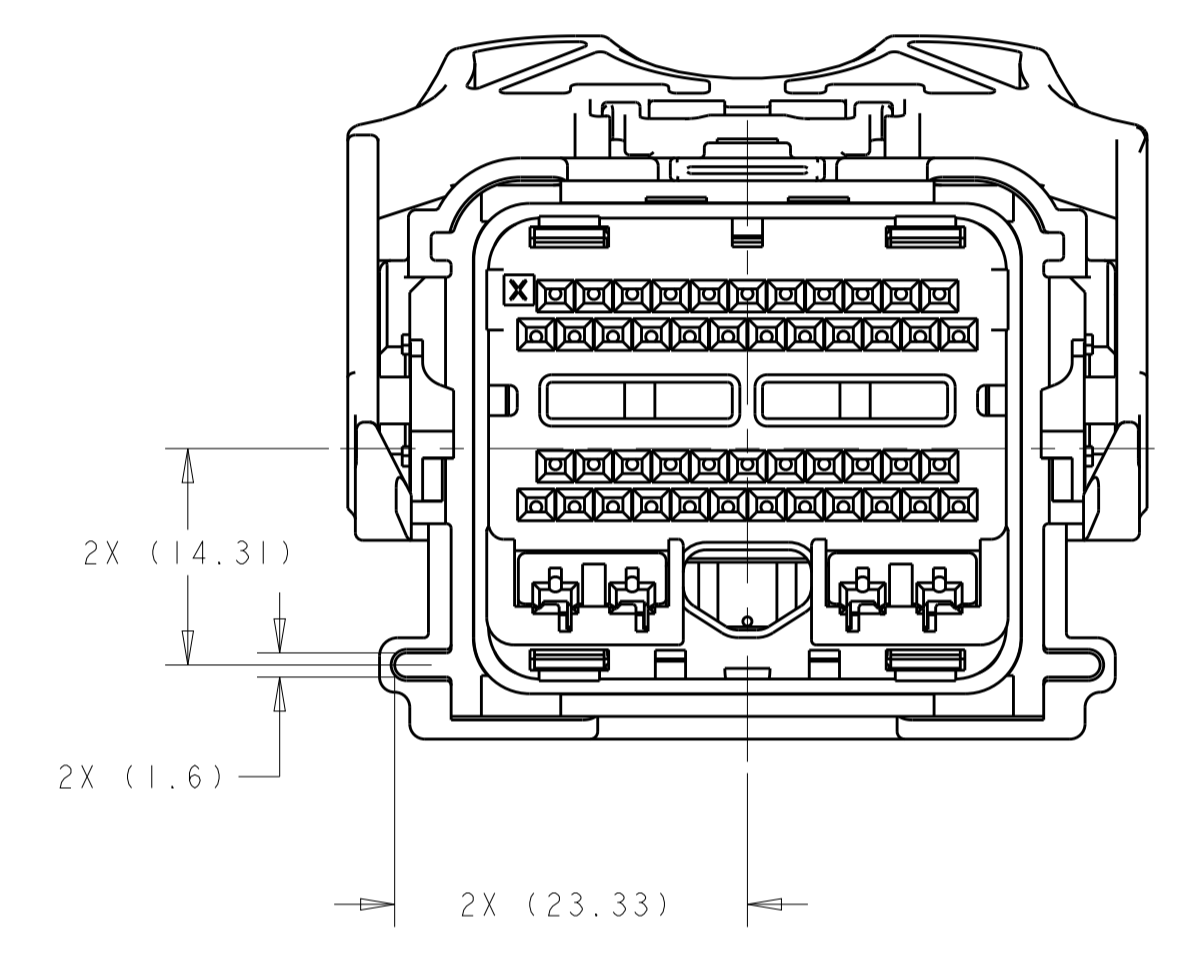
REVISIONS				
P.	LTN	DESCRIPTION	DATE	APPV
-	SEE SHEET 1			



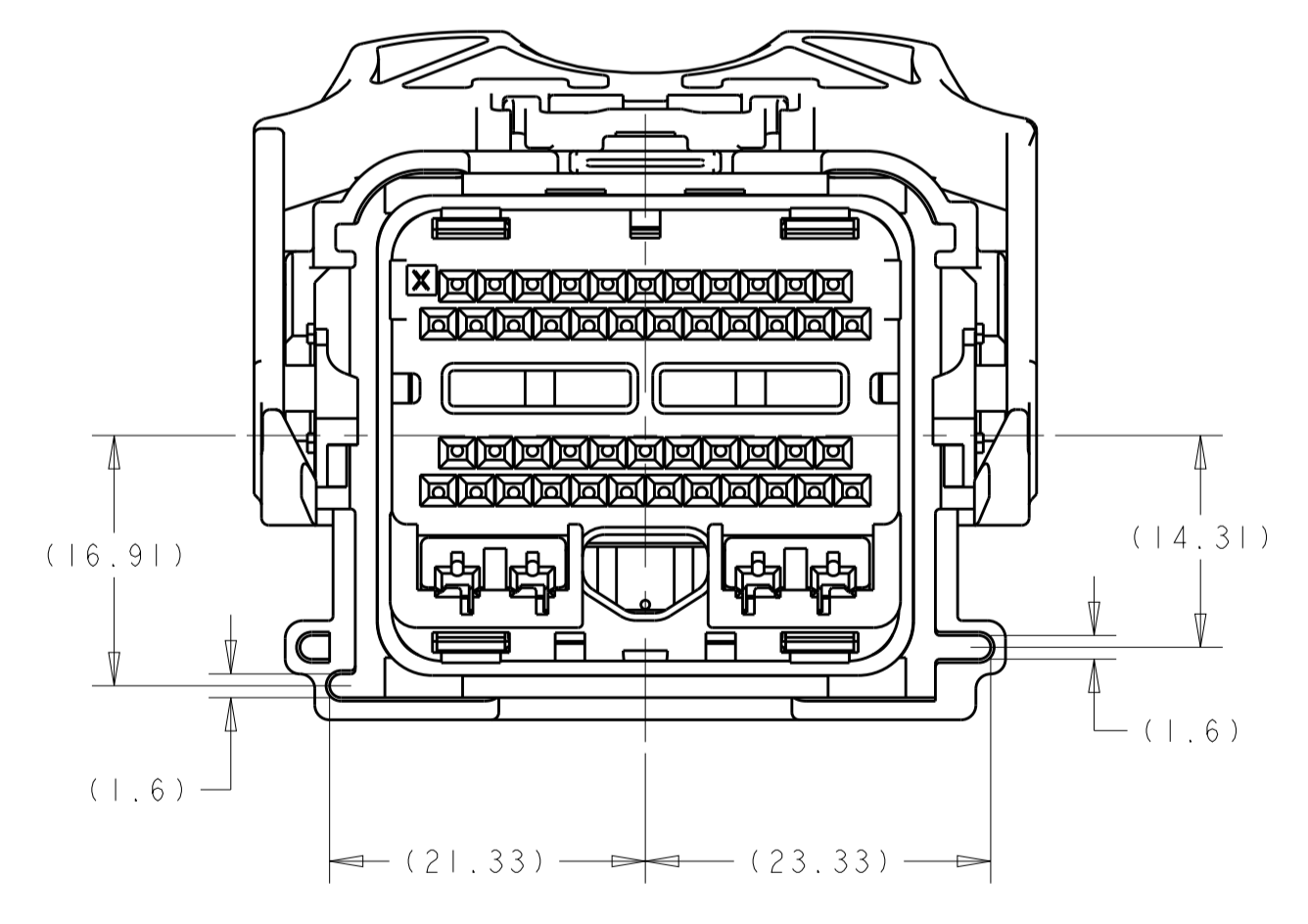
1438129-1
KEYING OPTION "A"



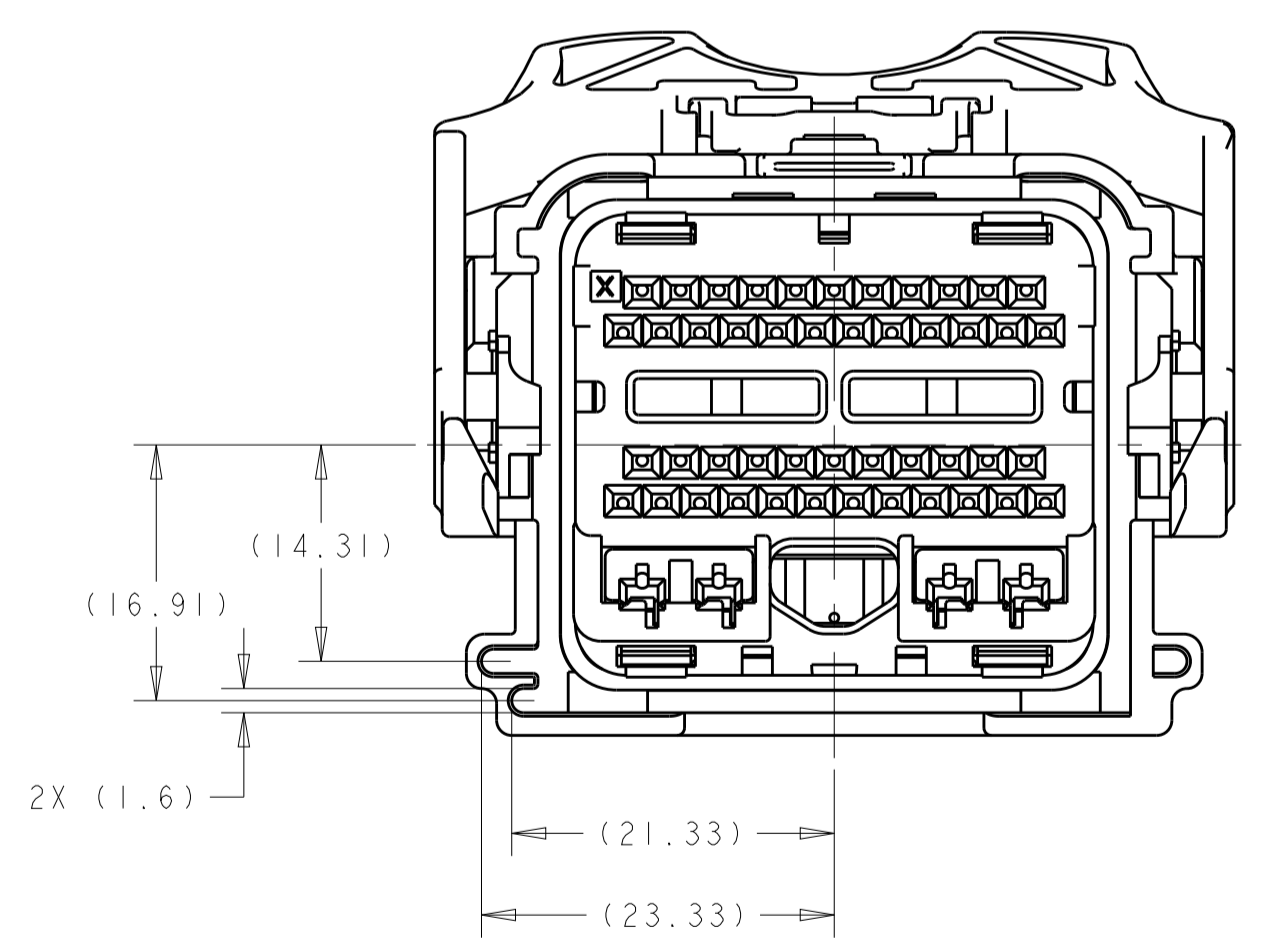
1438129-2
KEYING OPTION "B"



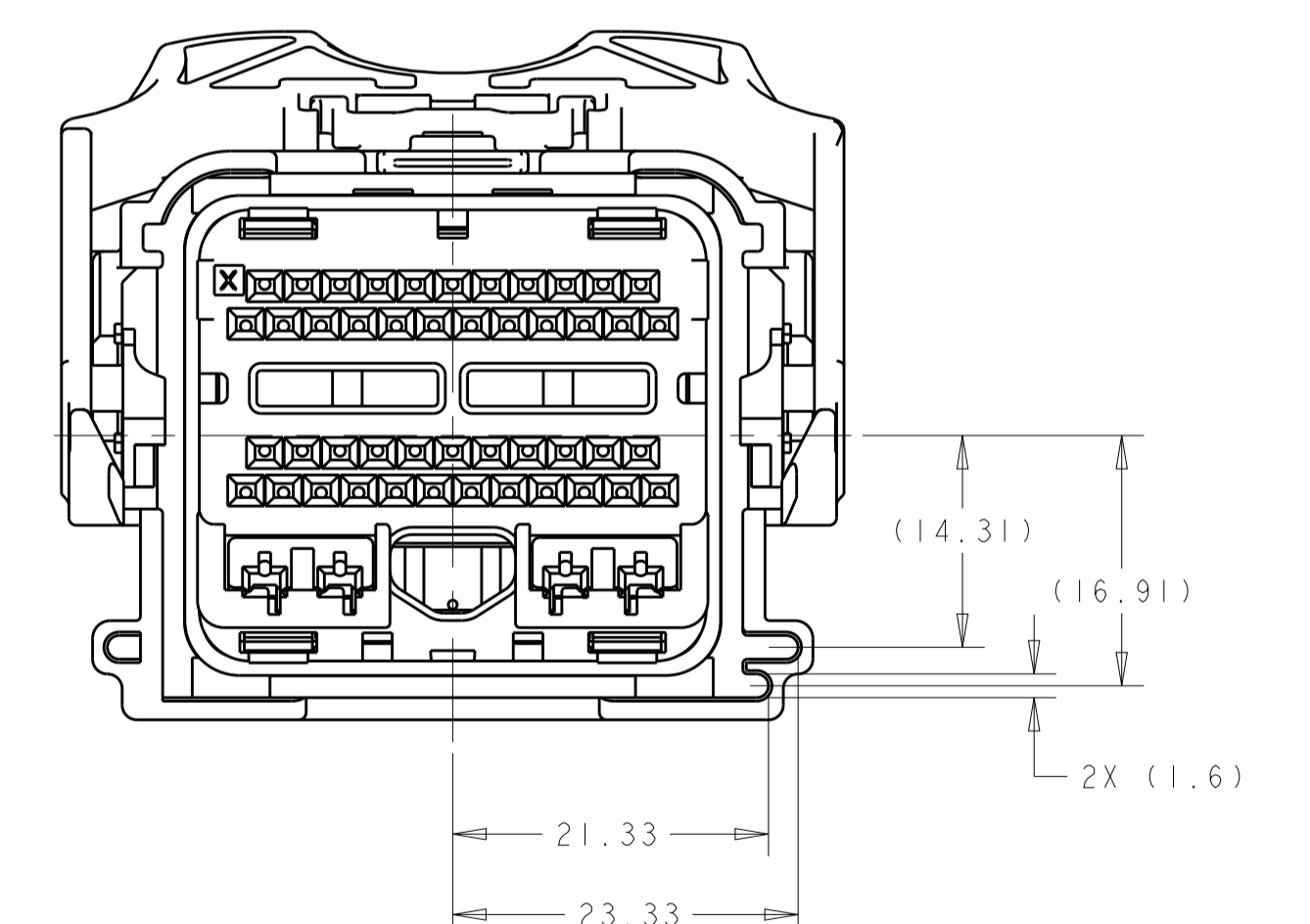
1438129-3
KEYING OPTION "C"



1438129-4
KEYING OPTION "D"

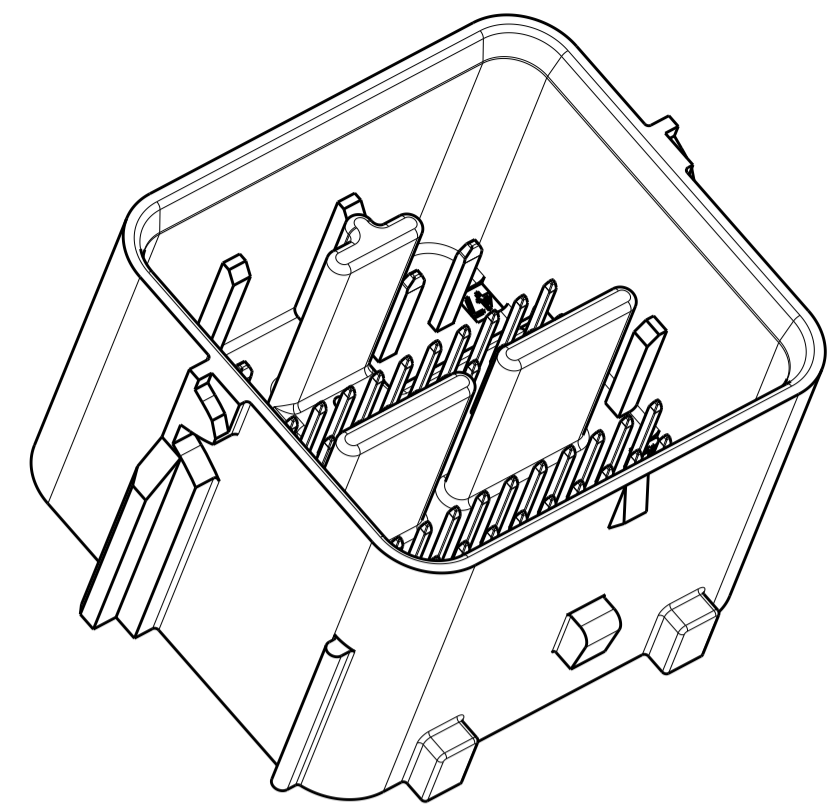


1438129-5
KEYING OPTION "E"

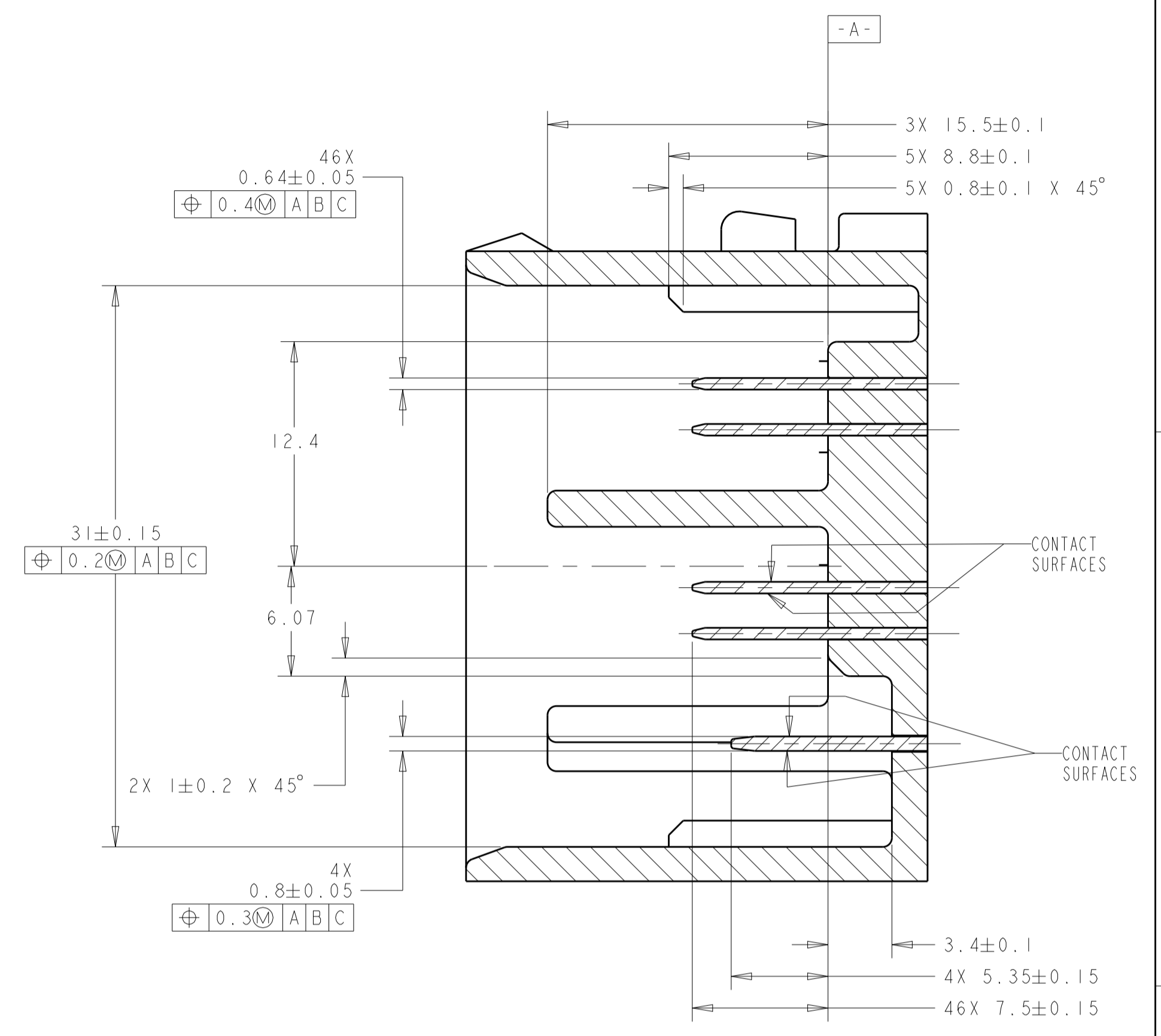
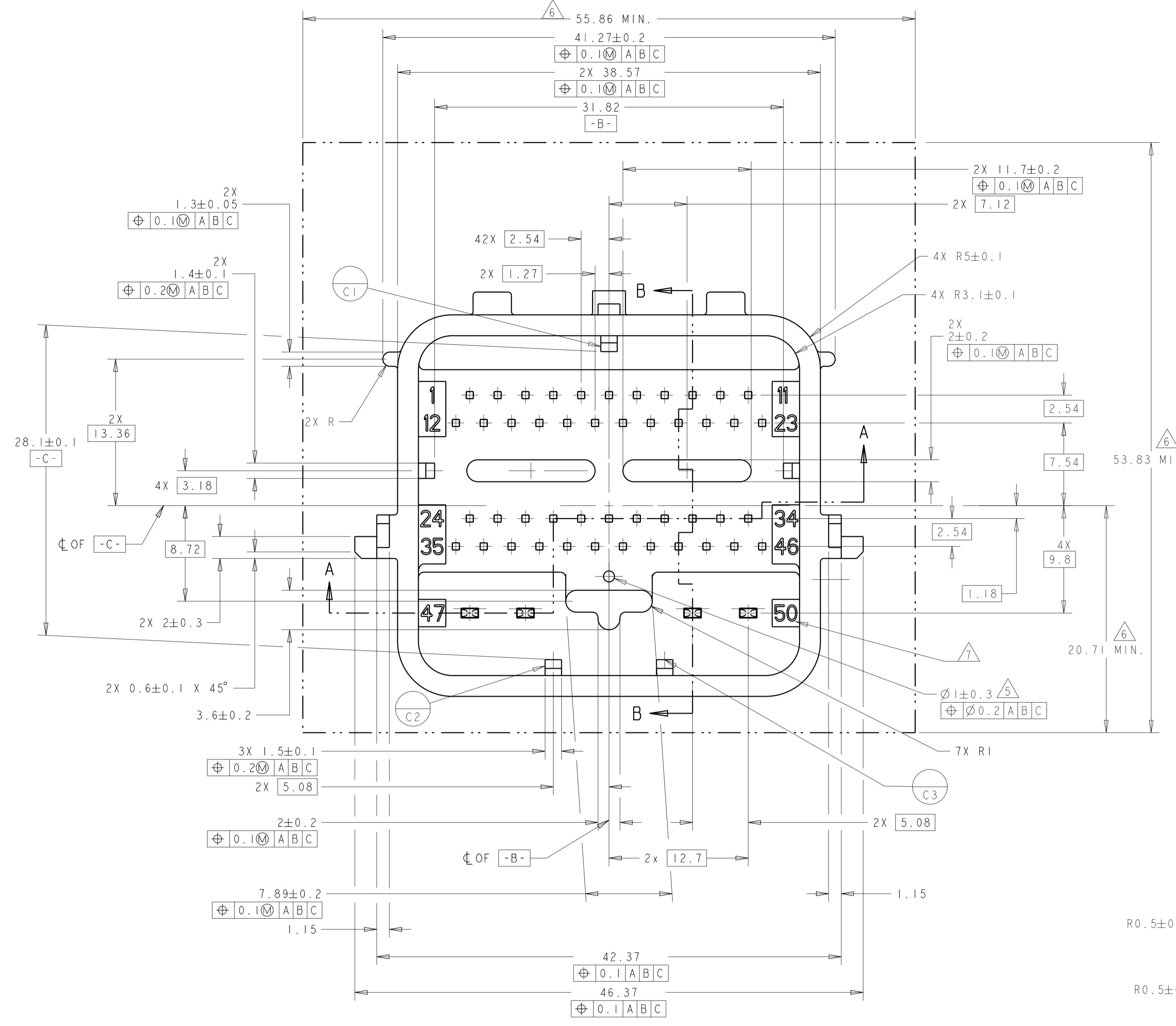


1438129-6
KEYING OPTION "F"

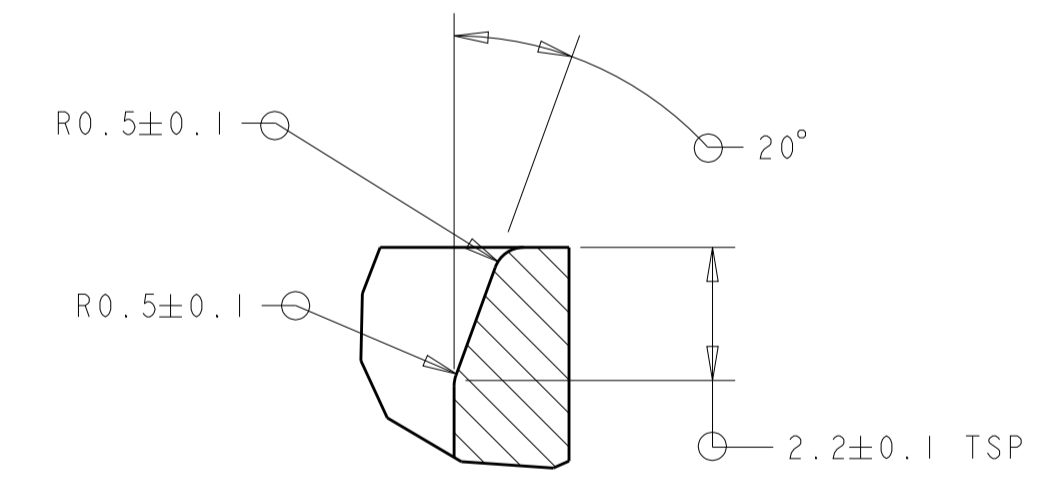
THIS DRAWING IS A CONTROLLED DOCUMENT.		OWN: R. VESTAL 15APR2005	
DIMENSIONS: mm		CHK: T. VALASEK 15APR2005	
TOLERANCES UNLESS OTHERWISE SPECIFIED:		APPV: T. VALASEK 15APR2005	NAME: 50-WAY HARNESS ASSEMBLY, PCM SIZE: CAGE CODE DRAWING NO. RESTRICTED TO A 00779 C=1438129
0 PLC ± 1 PLC ±0.3 2 PLC ±0.10 3 PLC ± 4 PLC ± ANGLES ± FINISH ±		PRODUCT SPEC	
MATERIAL		APPLICATION SPEC	SCALE: 2:1 SHEET 2 OF 10 REV: F 41
		WEIGHT	CUSTOMER DRAWING



SCALE 2:1



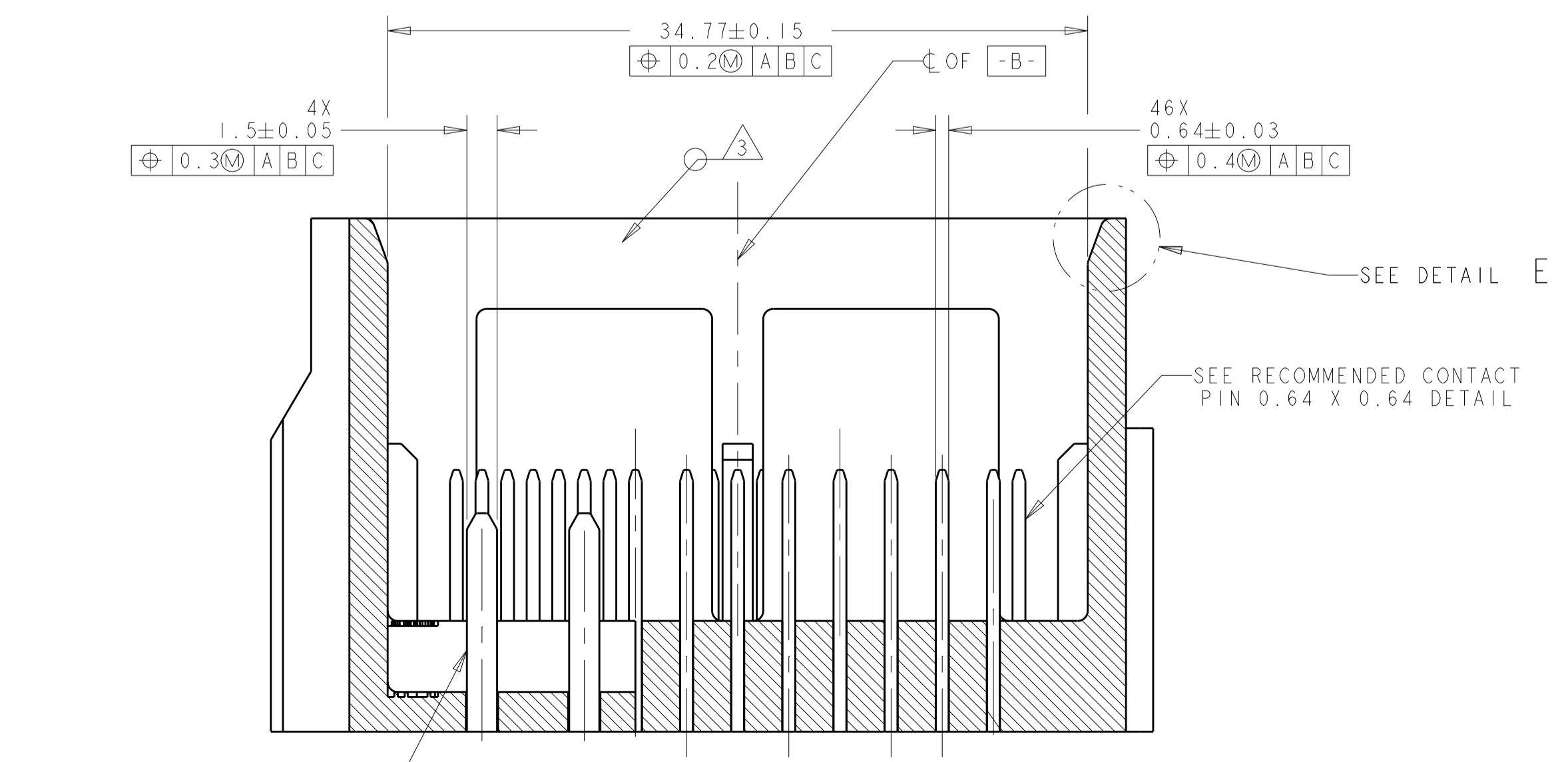
SECTION B-B



DETAIL E
SCALE 8:1

NOTES: UNLESS OTHERWISE SPECIFIED

1. GENERAL TOLERANCE:
 ±0.3 ALL ONE PLACE DIMENSIONS
 ±0.10 ALL TWO PLACE DIMENSIONS
 ±1°00' ALL ANGULAR DIMENSIONS
2. DRAFT ANGLE PERMISSIBLE ONLY WITHIN DRAWING TOLERANCE.
3. SEALING SURFACE, NO WITNESS LINES OR DAMAGE PERMITTED.
4. ALL UNMARKED RADII TO BE 0.5 MAX., UNLESS OTHERWISE SPECIFIED.
5. VENT HOLE SIZE AND LOCATION IS OPTIONAL.
6. THIS AREA TO REMAIN CLEAR FOR THE HARNESS ASSEMBLY.
7. TERMINAL POSITION IDENTIFICATION.
8. MATES WITH TYCO ELECTRONICS PART NUMBERS 1438129-# & 1438950-#



SECTION A-A

SEE RECOMMENDED CONTACT
PIN 0.8 X 1.5 DETAIL

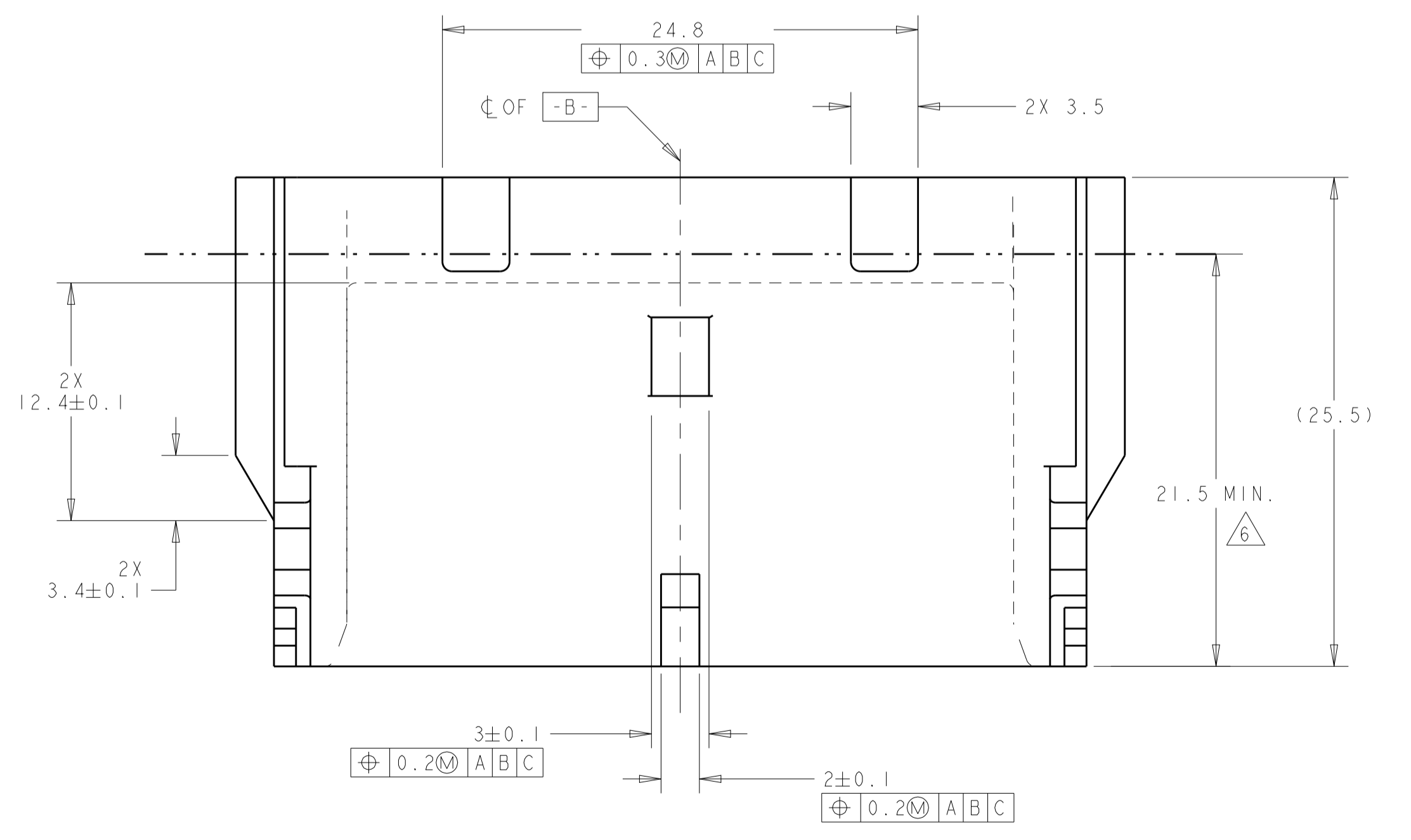
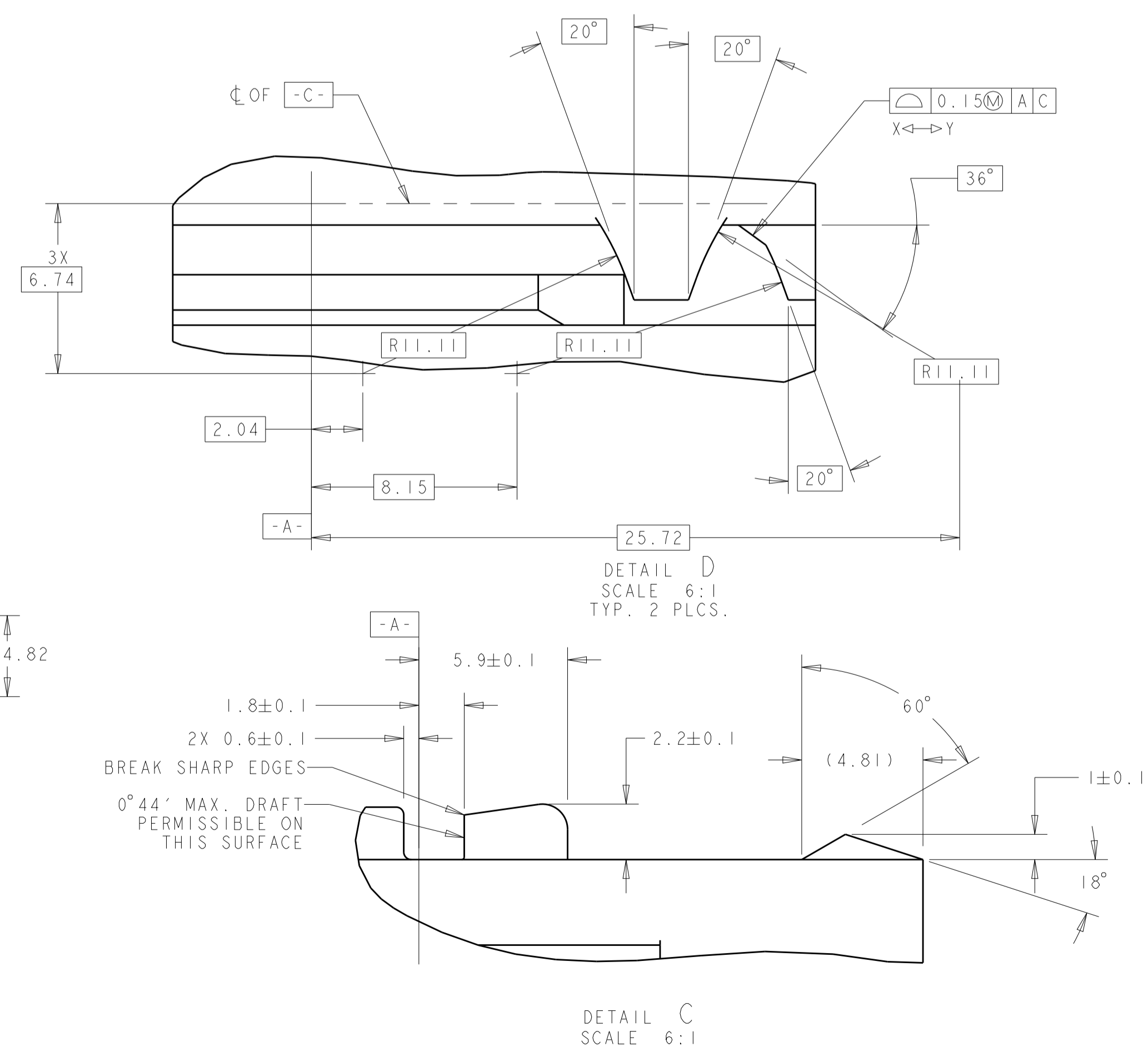
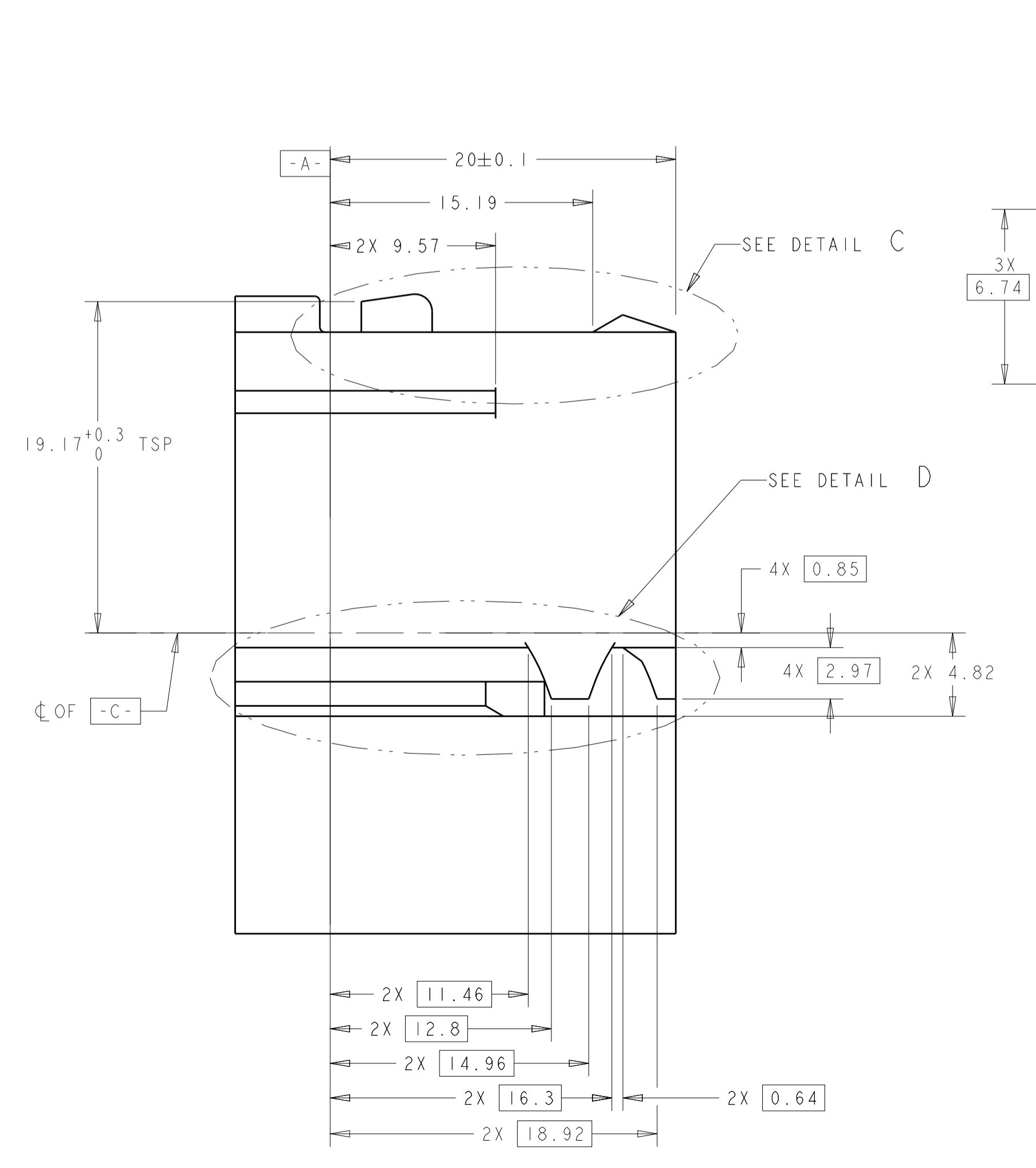
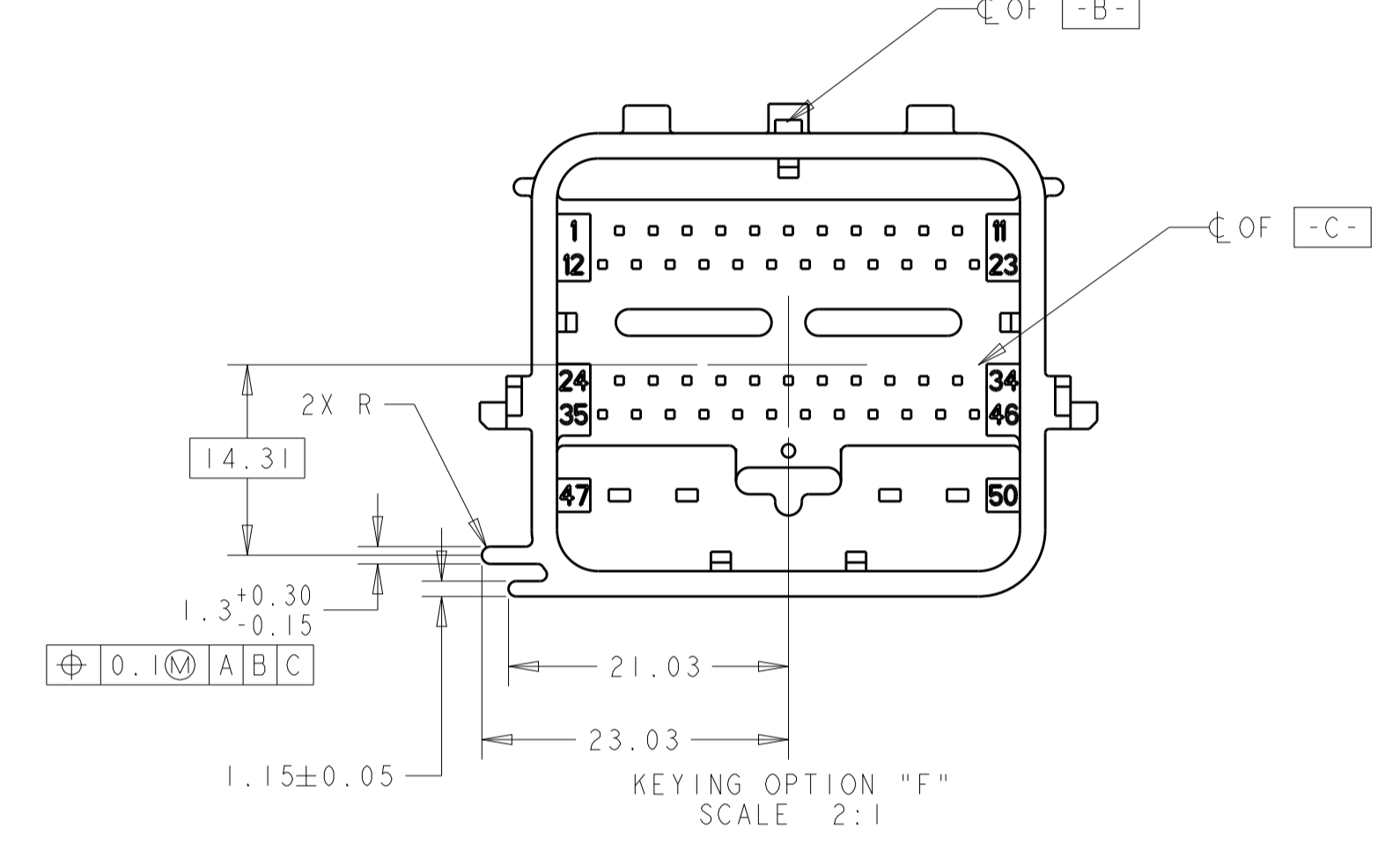
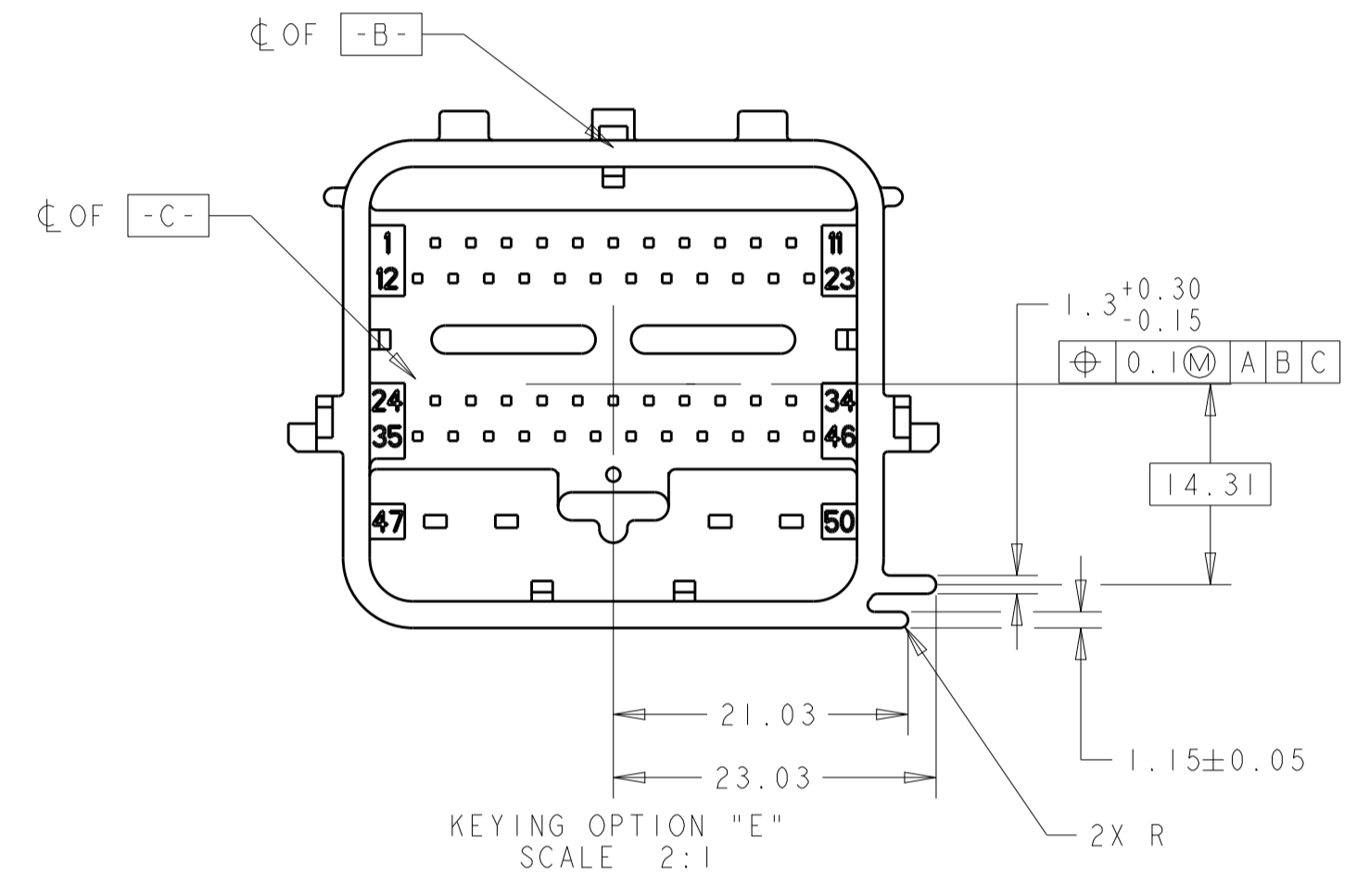
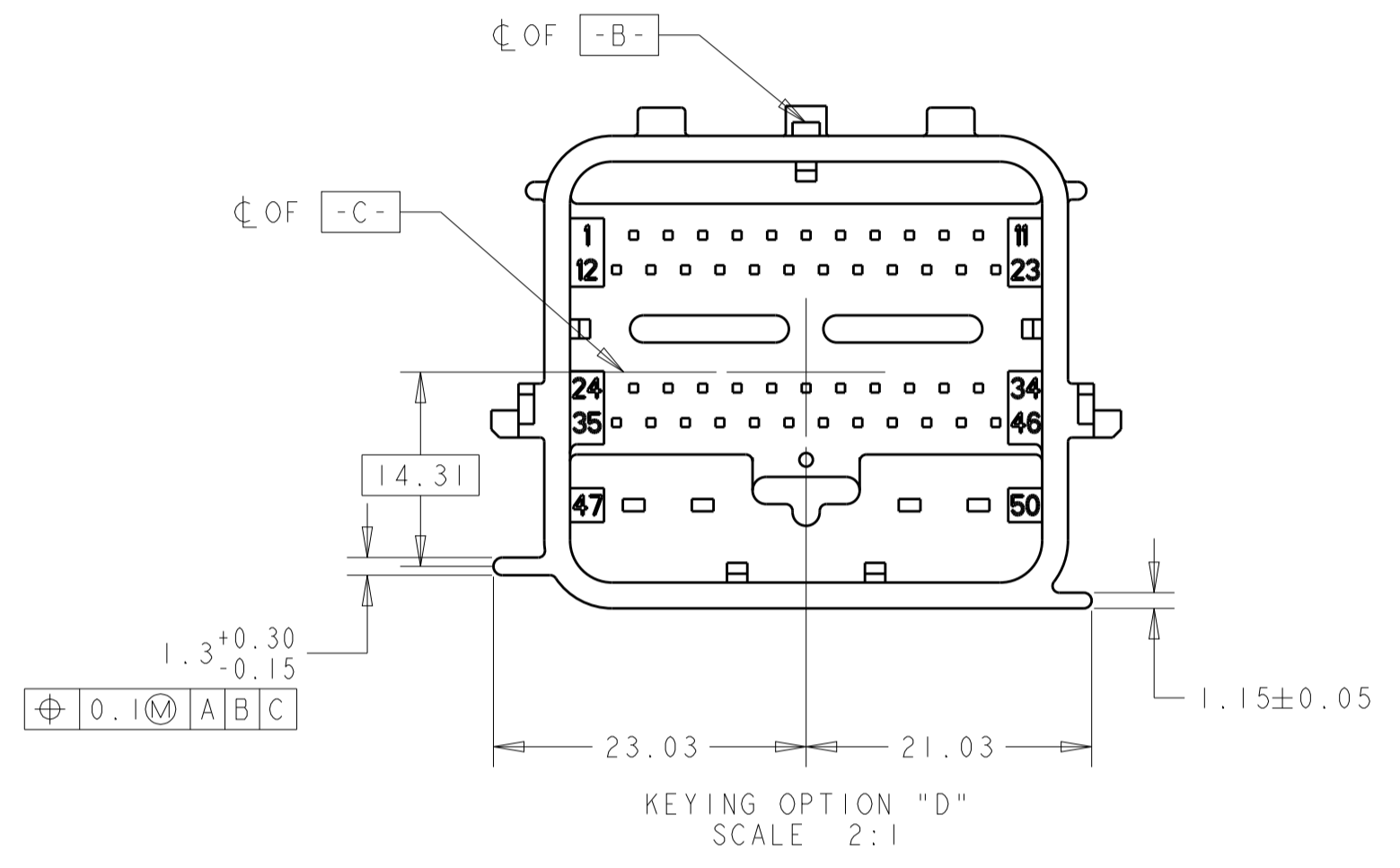
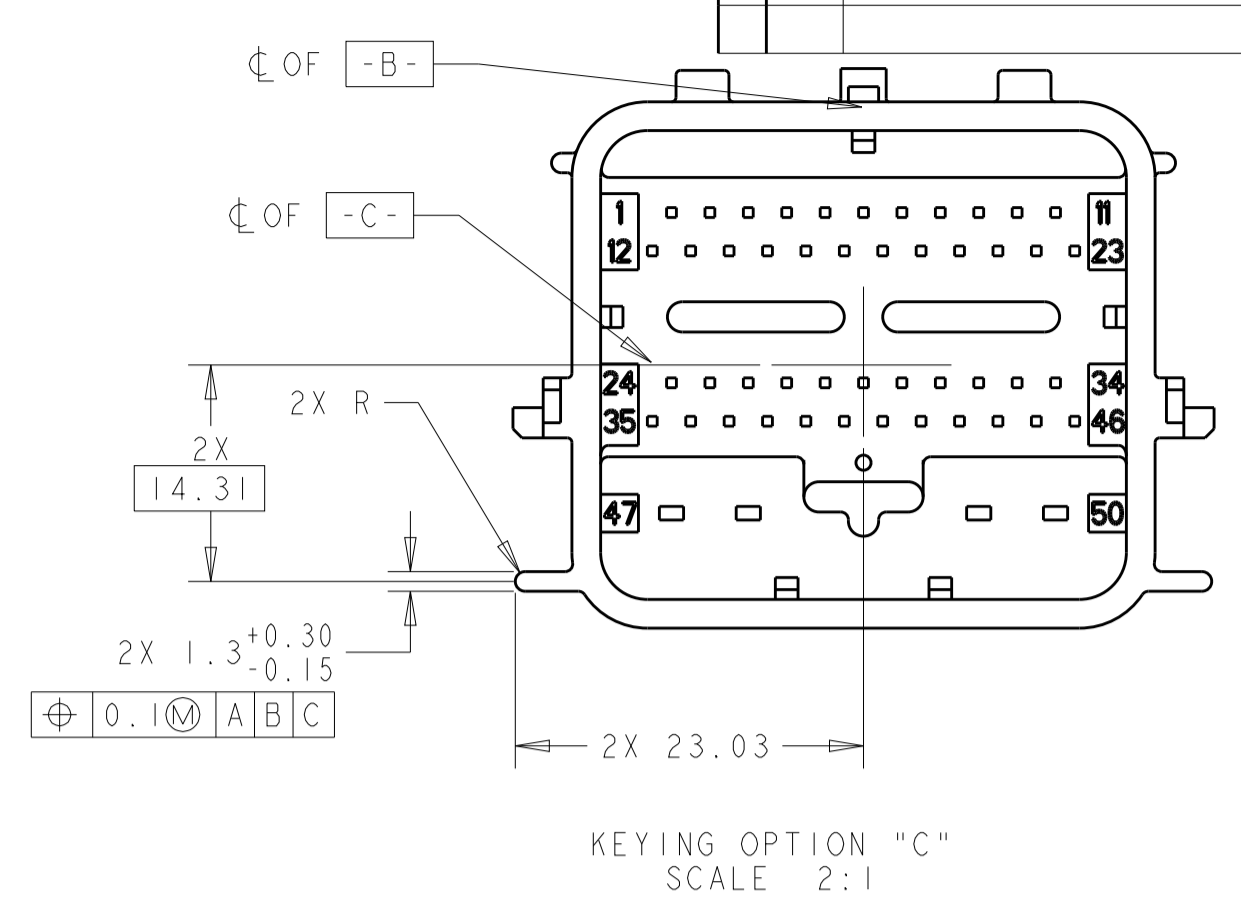
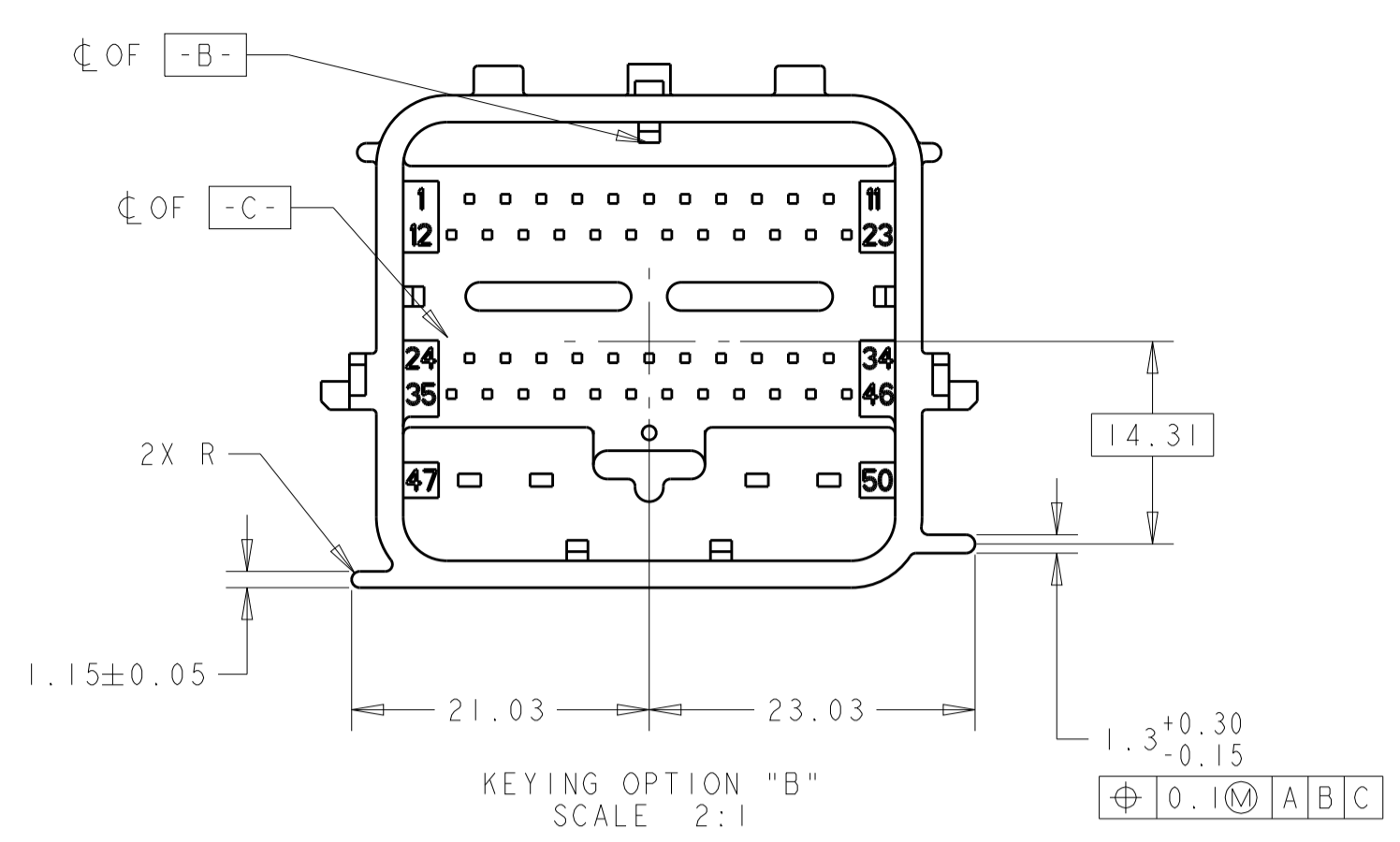
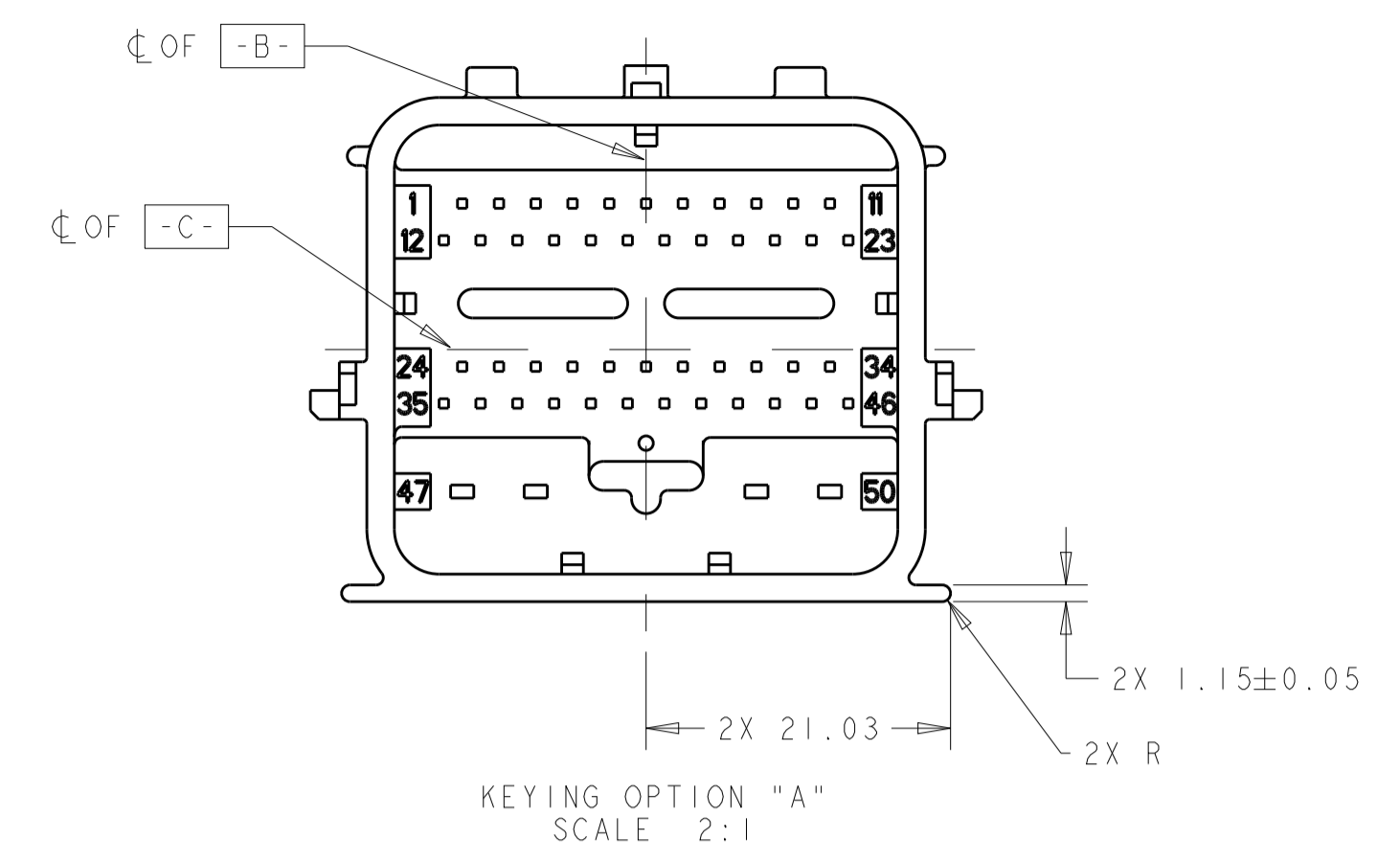
SEE RECOMMENDED CONTACT
PIN 0.64 X 0.64 DETAIL

REVISIONS				
P.	LTN.	DESCRIPTION	DATE	APPV.
-	-	SEE SHEET 1	-	-

THIS DRAWING IS A CONTROLLED DOCUMENT.		DWN: R. VESTAL 15APR2005 CHK: T. VALASEK 15APR2005 APVD: T. VALASEK 15APR2005	TE Connectivity
DIMENSIONS: mm	TOLERANCES UNLESS OTHERWISE SPECIFIED: 0 PLC ± 1 PLC ±0.3 2 PLC ±0.10 3 PLC ± 4 PLC ± ANGLES ±1°	NAME: 50-WAY HARNESS ASSEMBLY, PCM PRODUCT SPEC: APPLICATION SPEC: SIZE: CAGE CODE: DRAWING NO: A100779C=1438129 WEIGHT: CUSTOMER DRAWING	
MATERIAL:		RESTRICTED TO:	SCALE: 1:1 SHEET 9 OF 10 REV: F41

HEADER INTERFACE KEYING OPTIONS

REVISIONS					
P.	LTN.	DESCRIPTION	DATE	OWN.	APVD.
-	-	SEE SHEET 1	-	-	-



THIS DRAWING IS A CONTROLLED DOCUMENT.		OWN: R. VESTAL 15APR2005	TE Connectivity
DIMENSIONS: mm		CHK: T. VALASEK 15APR2005	
TOLERANCES UNLESS OTHERWISE SPECIFIED:		APVD: T. VALASEK 15APR2005	NAME: 50-WAY HARNESS ASSEMBLY, PCM
0 PLC	±	PRODUCT SPEC	SIZE: CAGE CODE: DRAWING NO:
1 PLC	±0.3	APPLICATION SPEC	RESTRICTED TO:
2 PLC	±0.10	WEIGHT	A100779C=1438129
3 PLC	±	CUSTOMER DRAWING	SCALE: 1:1 SHEET 10 OF 10 REV: F41
4 PLC	±		
ANGLES	±		
FINISH	±		

X-ON Electronics

Largest Supplier of Electrical and Electronic Components

Click to view similar products for [Automotive Connectors](#) category:

Click to view products by [TE Connectivity](#) manufacturer:

Other Similar products are found below :

[003-018-000](#) [60403001](#) [60993906-B](#) [M902-2131](#) [M902-2161](#) [72.330.1035.1](#) [73.353.4028.0](#) [F119300-B](#) [F166900](#) [F258300-B](#) [F358300-B](#)
[F407400](#) [F444110](#) [F487000](#) [F509500B-B](#) [827153-1](#) [8N1515-32-24P](#) [9-1326729-8](#) [925474-1](#) [928905-1](#) [964562-4](#) [968782-1](#) [GT17SA-8DS-](#)
[HU](#) [98891-1012](#) [98947-1016](#) [12004147](#) [12004475-L](#) [12010290](#) [12010309-B](#) [12015454](#) [12020219-B](#) [12020308](#) [12041318-B](#) [12052225-L](#)
[12052466](#) [12059125](#) [12064869](#) [12004327-B](#) [12010503-B](#) [12015308](#) [12015384](#) [12015909](#) [1-21030-1](#) [12041254](#) [12041318](#) [12047946-B](#)
[12047957](#) [12047957-L](#) [12059473](#) [12066261](#)