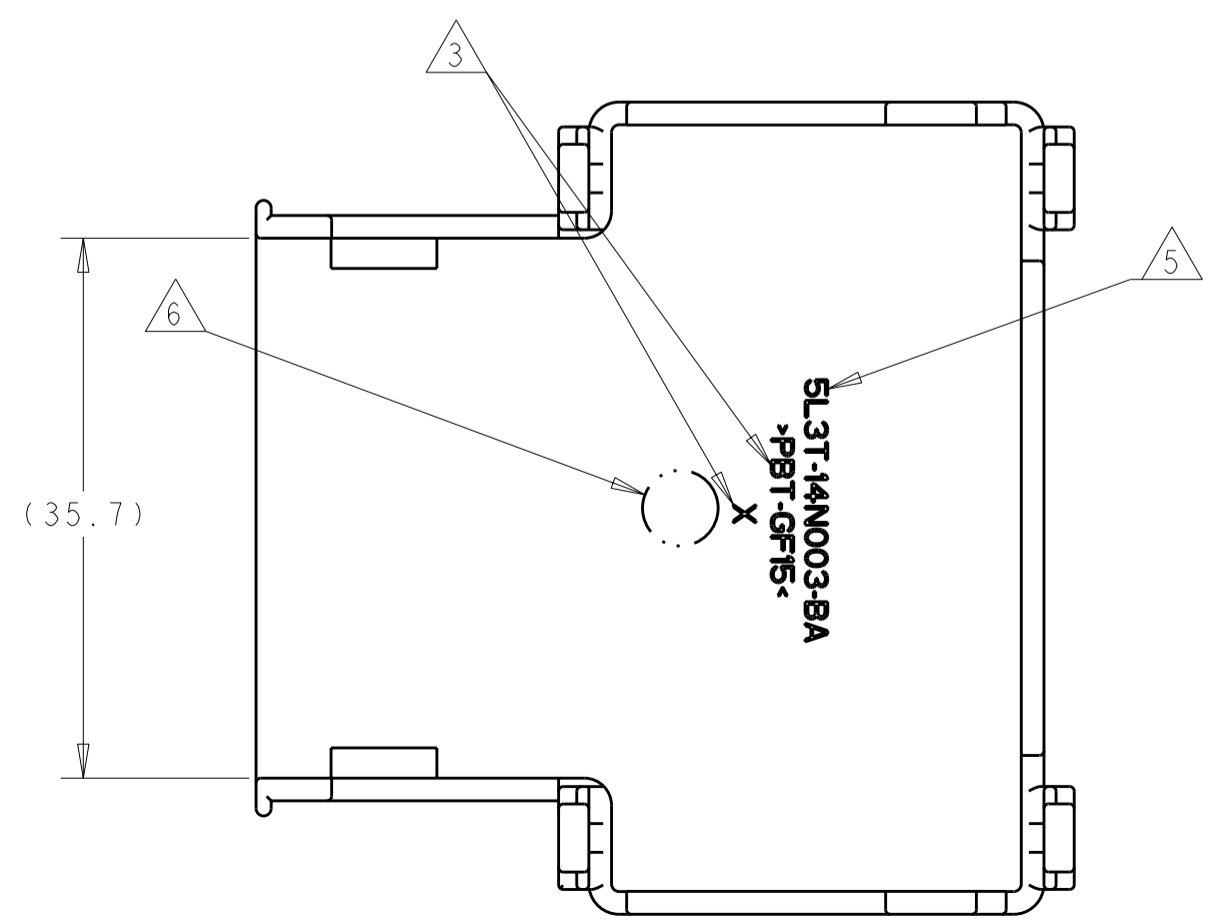
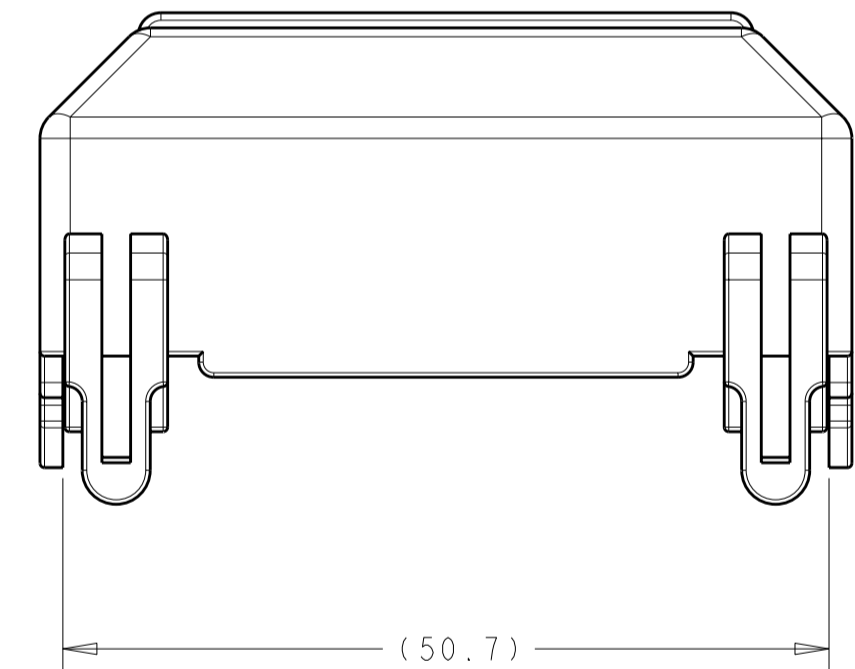
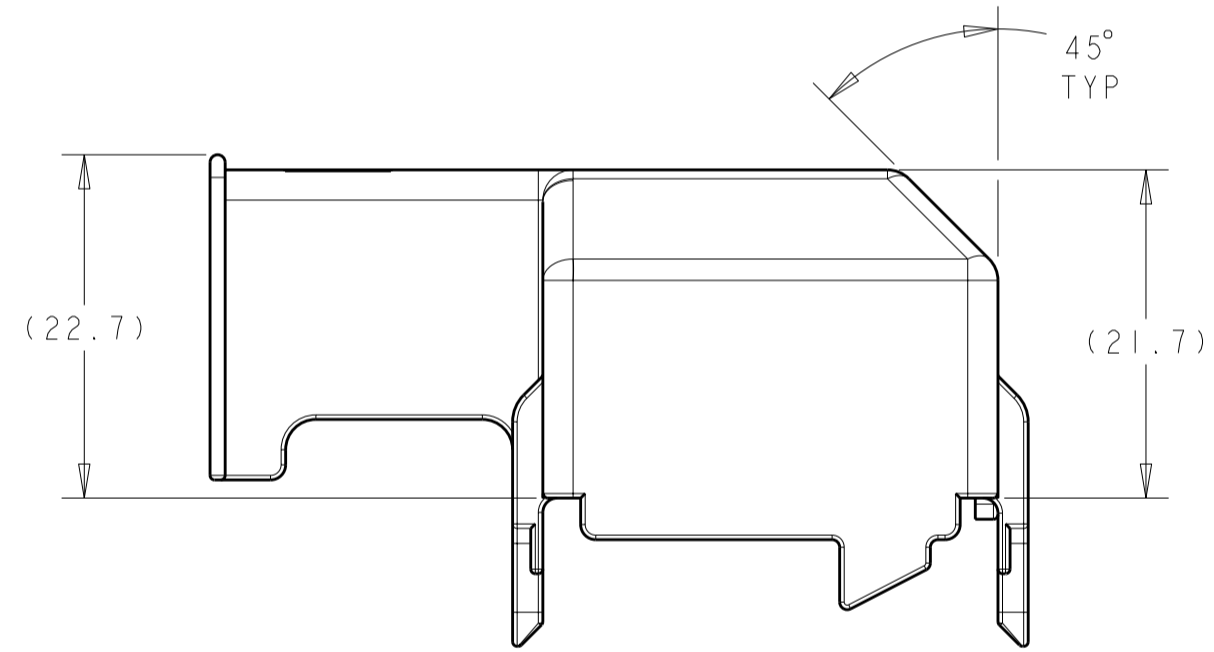
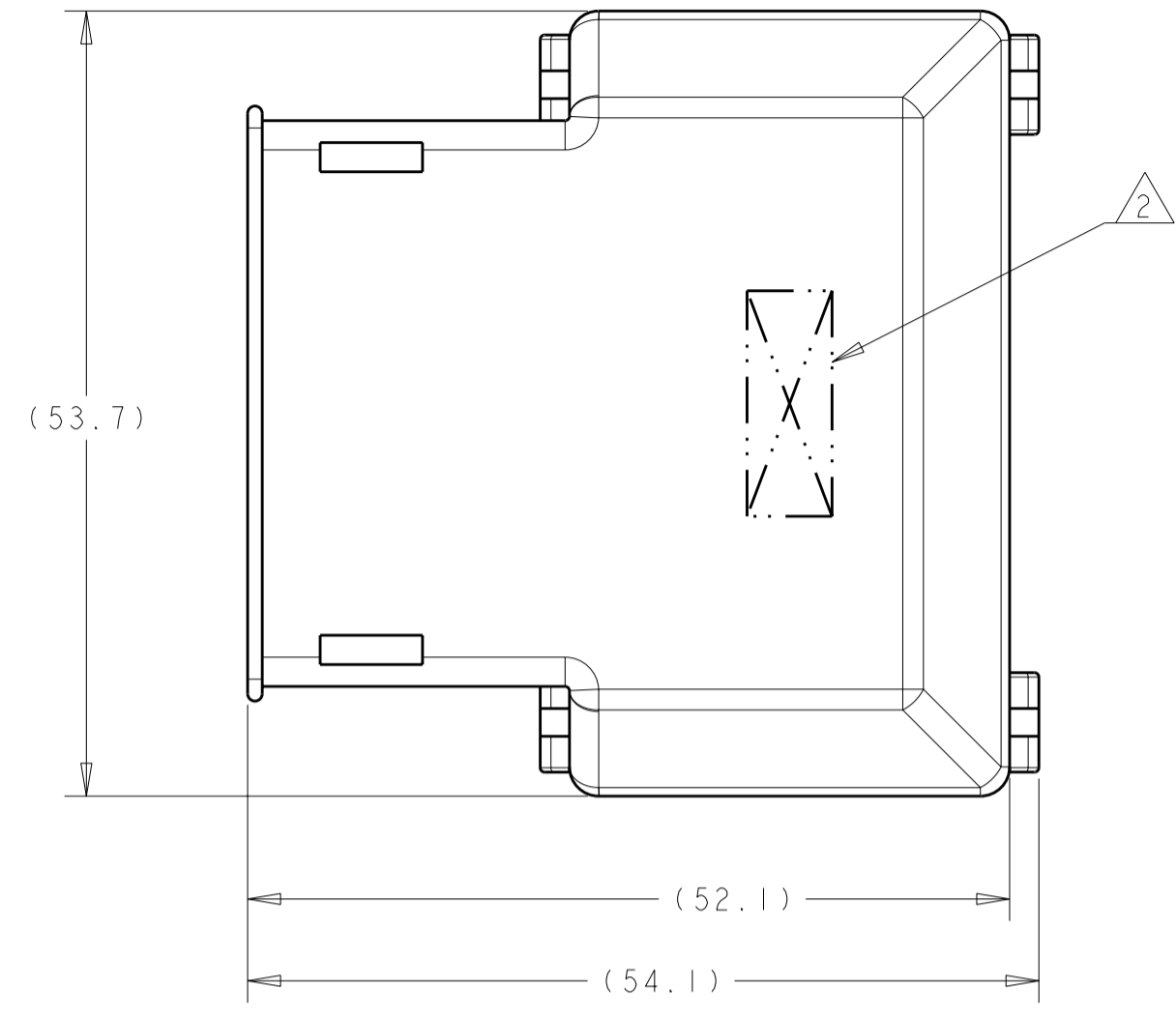
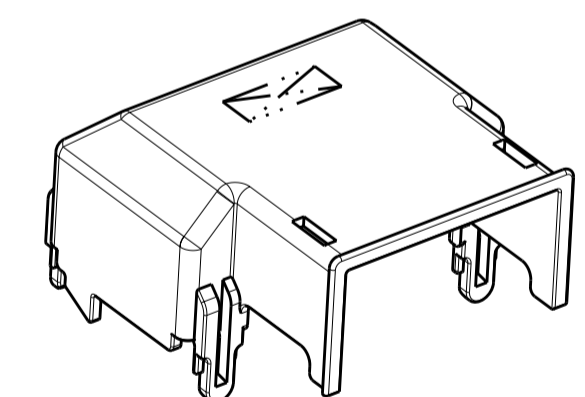


THIS DRAWING IS UNPUBLISHED. RELEASED FOR PUBLICATION 20
 © COPYRIGHT 20 BY TYCO ELECTRONICS CORPORATION. ALL RIGHTS RESERVED.

LOC	DIST	REVISIONS			
P	LTR	DESCRIPTION	DATE	DWN	APVD
	A	RELEASED PER DR D05-138	01FEB2006	DLD	AJV
	A1	REV PER ECO-10-015982	10AUG2010	HM	DCM



- NOTE(S):
- 1 MATERIAL : PBT-GF15
COLOR : BLACK
 - 2 COMPANY LOGO LOCATED APPROXIMATELY AS SHOWN.
 - 3 MOLD CAVITY I.D. & RECYCLING CODE >PBT-GF15< AS SHOWN.
 - 4. 25% MAXIMUM REGRIND.
 - 5 FORD PART NUMBER APPROXIMATELY AS SHOWN, SEE TABLE.
 - 6 DATE CODE APPROXIMATELY AS SHOWN.



THIS DRAWING IS A CONTROLLED DOCUMENT FOR TYCO ELECTRONICS CORPORATION. IT IS SUBJECT TO CHANGE AND THE CONTROLLING ENGINEERING ORGANIZATION SHOULD BE CONTACTED FOR THE LATEST REVISION.		DWN	01FEB2006	5L3T-14N003-BA		1438133-1	
DIMENSIONS:		CHK	01FEB2006	CUSTOMER PART NO.		PART NUMBER	
mm	TOLERANCES UNLESS OTHERWISE SPECIFIED:	APVD	01FEB2006	Tyco Electronics		Tyco Electronics	
	0 PLC ±-	PRODUCT SPEC		Harrisburg, PA 17105-3608		NAME	
	1 PLC ±0.3	APPLICATION SPEC		70-WAY WIRE DRESSING		SIZE	
	2 PLC ±0.10	WEIGHT		A200779		CAGE CODE	
	3 PLC ±-	CUSTOMER DRAWING		C=1438133		DRAWING NO.	
	4 PLC ±-			SCALE 2:1		RESTRICTED TO	
	ANGLES ±-			SHEET 1 OF 1		REV A1	
	FINISH						

1438133

X-ON Electronics

Largest Supplier of Electrical and Electronic Components

Click to view similar products for [Automotive Connectors](#) category:

Click to view products by [TE Connectivity](#) manufacturer:

Other Similar products are found below :

[003-018-000](#) [60403001](#) [60993906-B](#) [M902-2131](#) [M902-2161](#) [M902-2344](#) [72.330.1035.1](#) [73.353.4028.0](#) [F119300-B](#) [F166900](#) [F258300-B](#)
[F358300-B](#) [F407400](#) [F444110](#) [F487000](#) [F509500B-B](#) [827153-1](#) [8N1515-32-24P](#) [9-1326729-8](#) [925474-1](#) [928905-1](#) [964562-4](#) [968782-1](#)
[GT17SA-8DS-HU](#) [98891-1012](#) [98947-1016](#) [12004147](#) [12004475-L](#) [12010290](#) [12010309-B](#) [12015454](#) [12020219-B](#) [12041318-B](#) [12052225-](#)
[L](#) [12052466](#) [12064869](#) [12004327-B](#) [12015308](#) [12015384](#) [12015909](#) [1-21030-1](#) [12041254](#) [12041318](#) [12047946-B](#) [12047957](#) [12047957-L](#)
[12059473](#) [12066261](#) [12110546](#) [12110546-B](#)