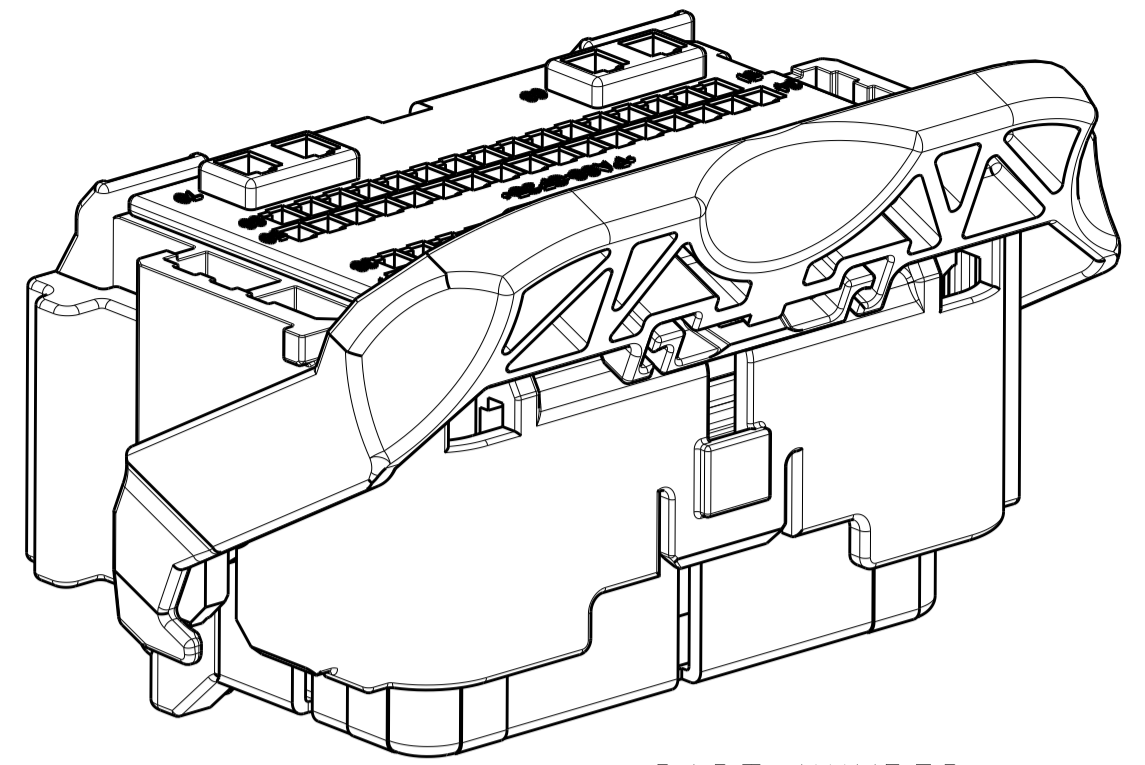
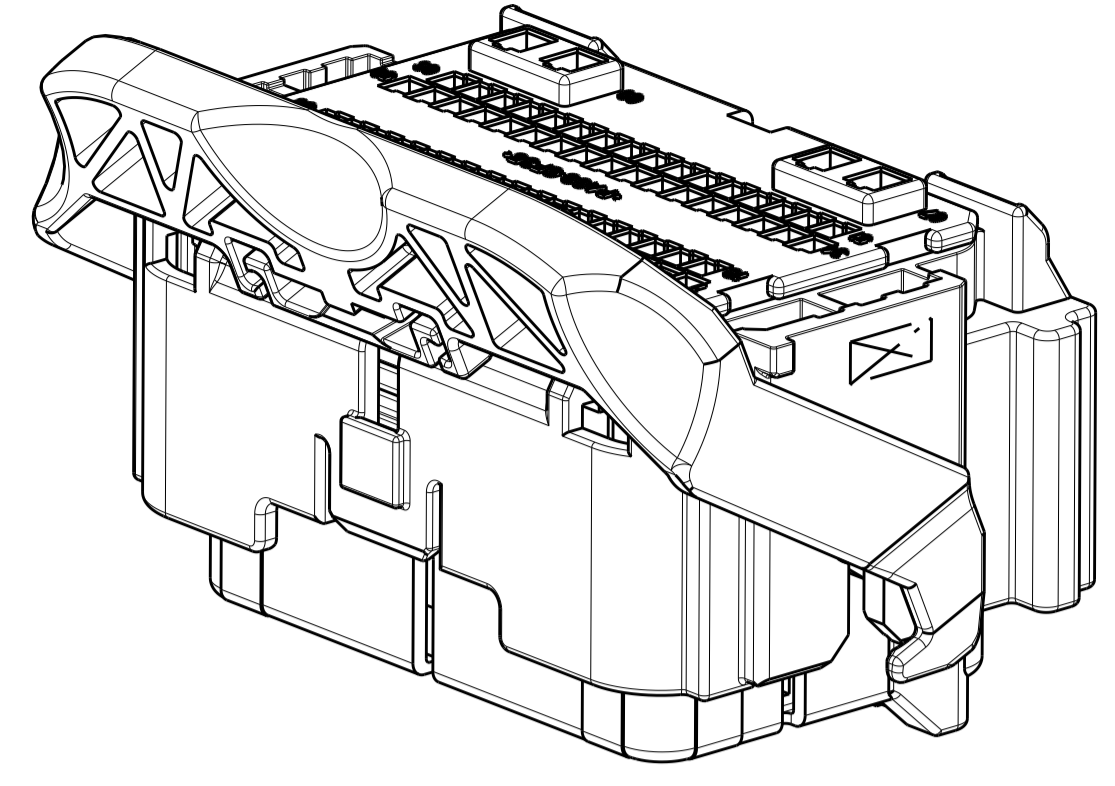
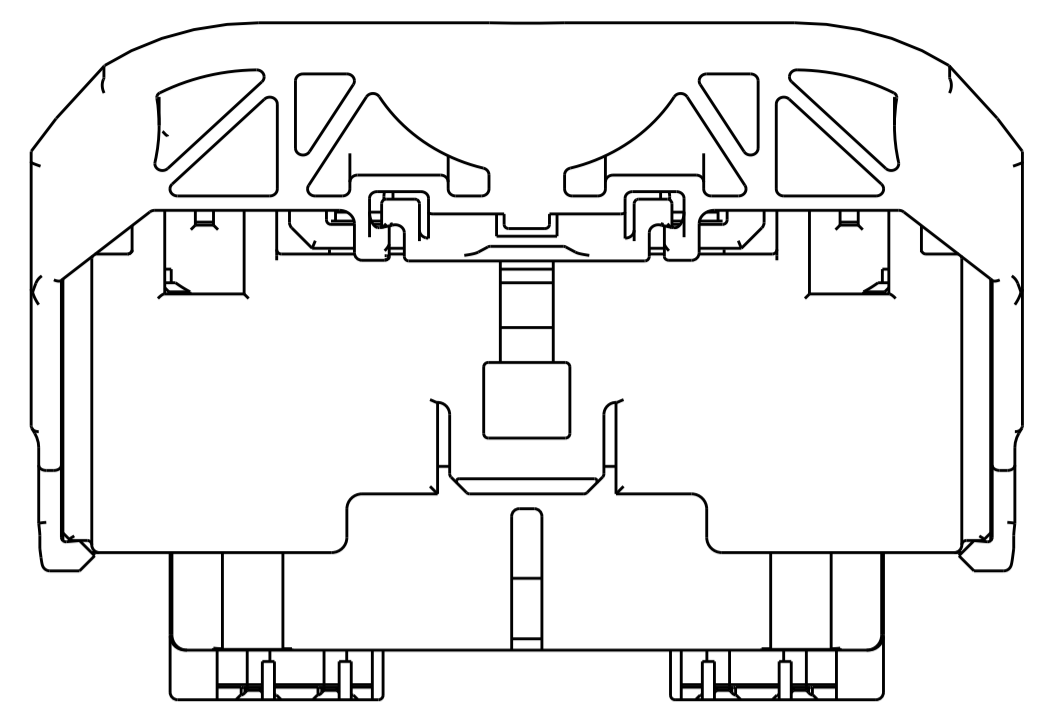


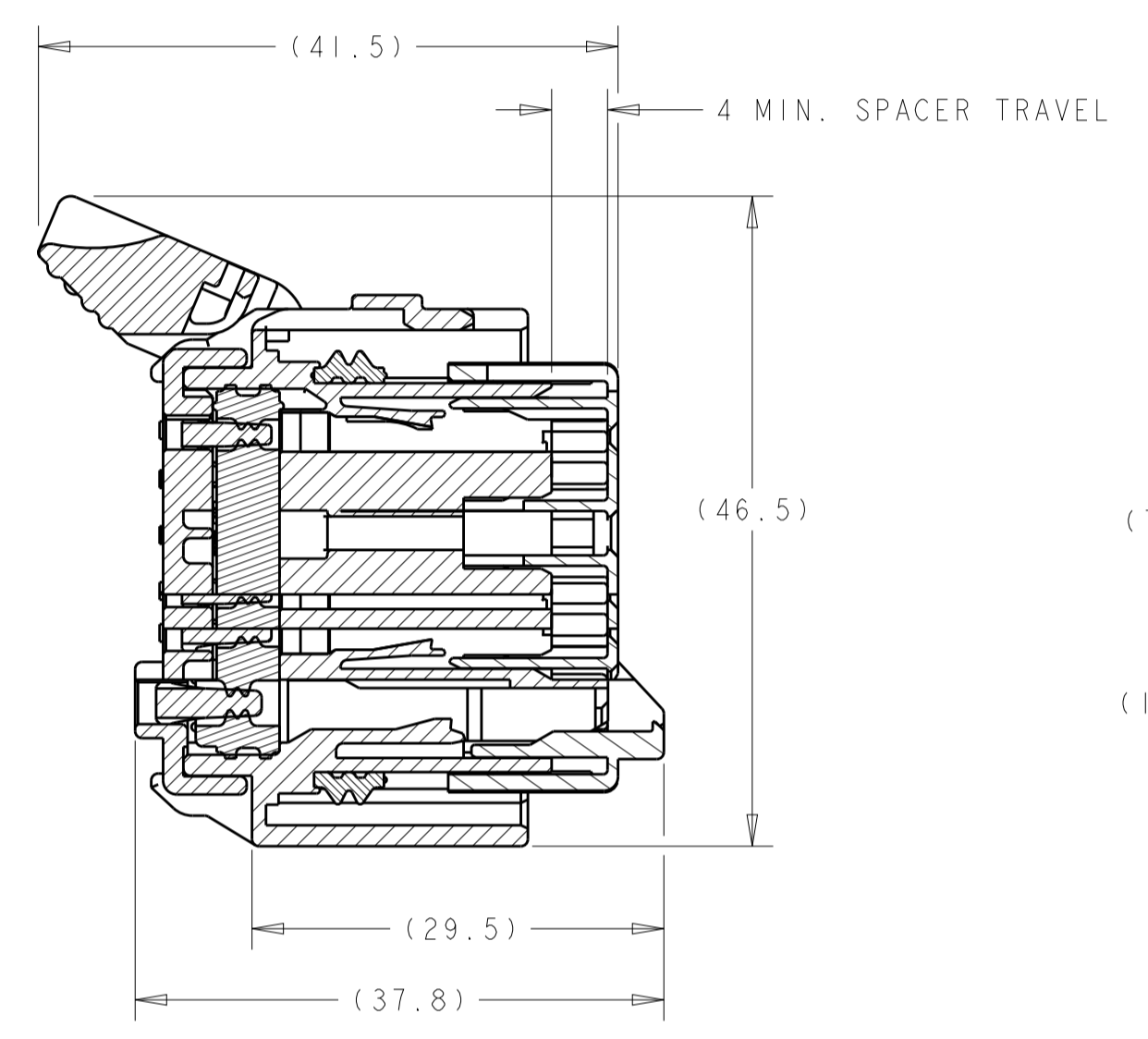
REVISIONS					
P.	LTN.	DESCRIPTION	DATE	OWN.	APVD.
G45		REVISED PER ECO-13-011449	16JUL2013	DLD	DCM
G46		REVISED PER ECO-14-007153	19MAY2014	DLD	DCM
G47		REVISED PER ECO-14-014965	09OCT2013	DLD	DCM
G48		REVISED PER ECO-20-012739	05OCT2020	AP	CM



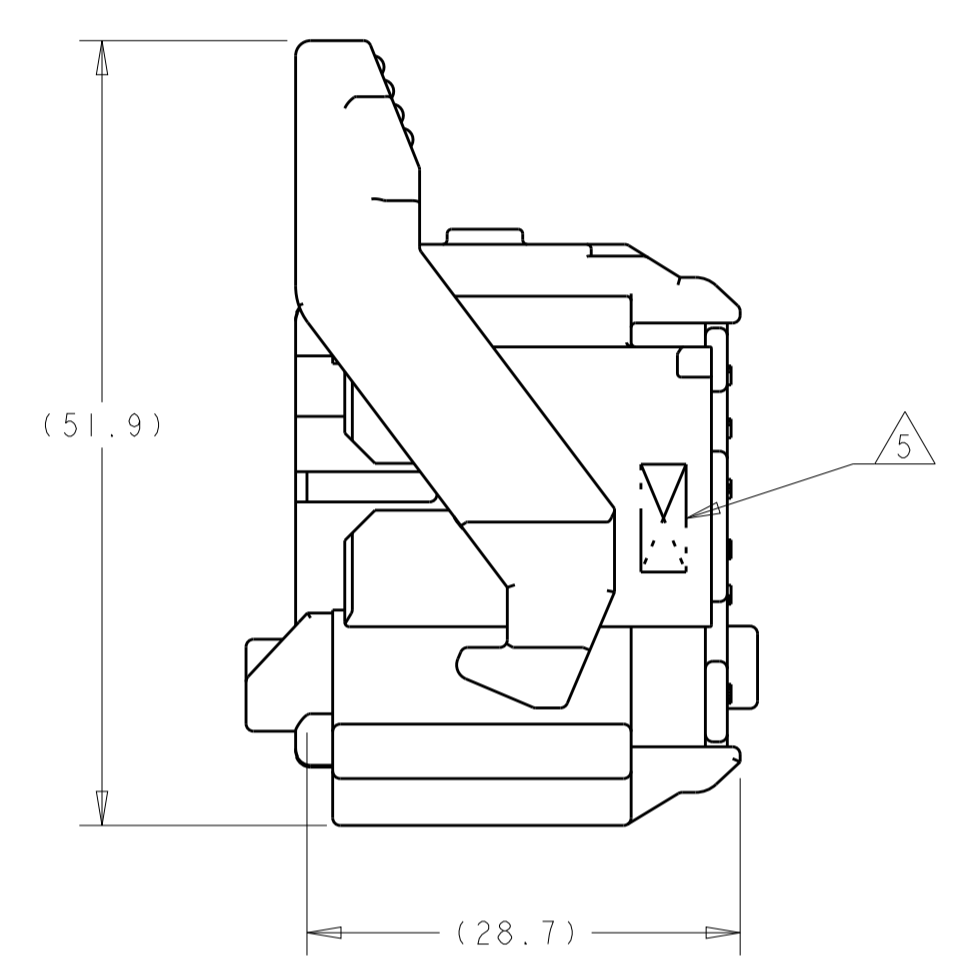
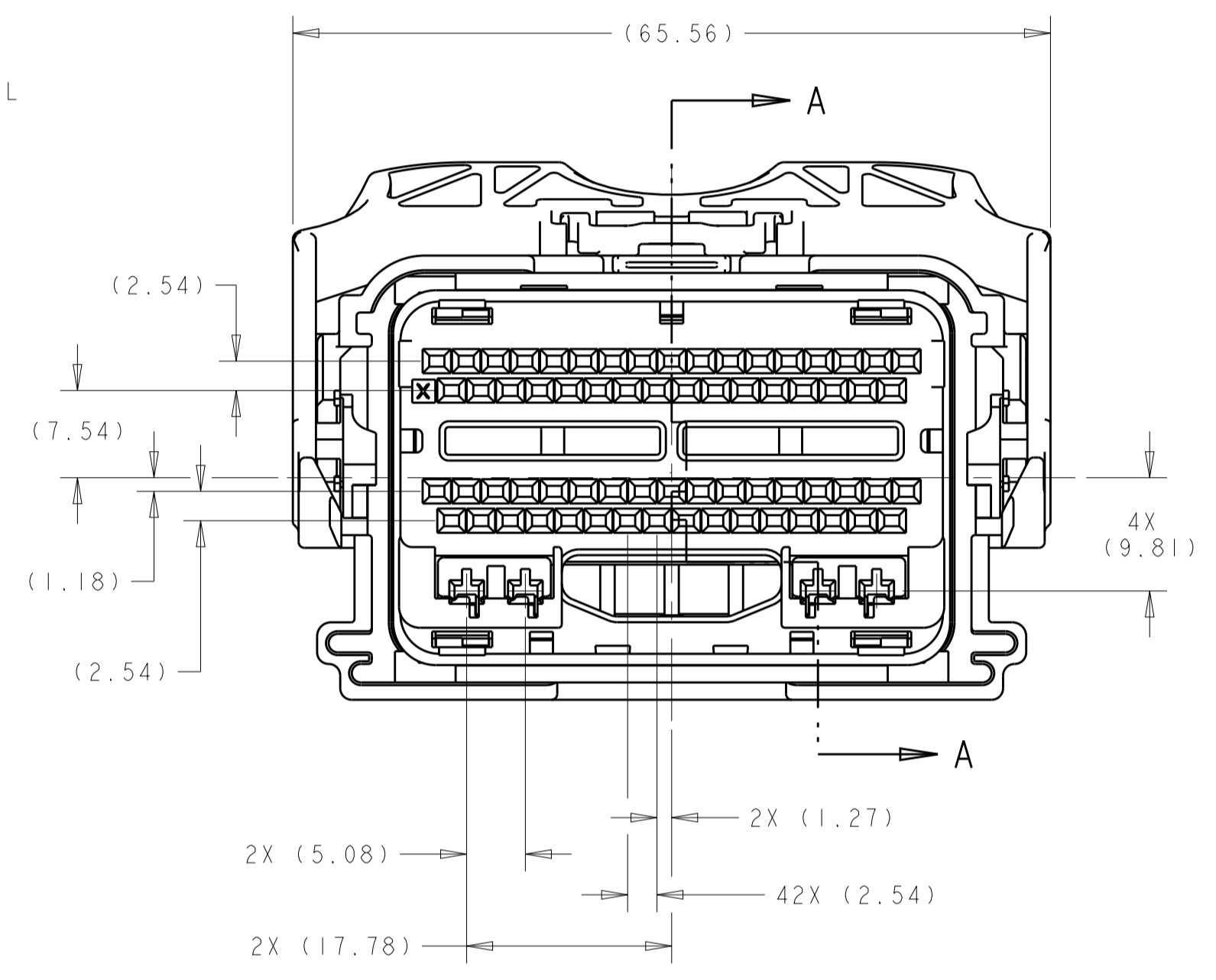
PART NUMBER:
1438136-1
SHOWN WITH SPACER
IN SEATED POSITION



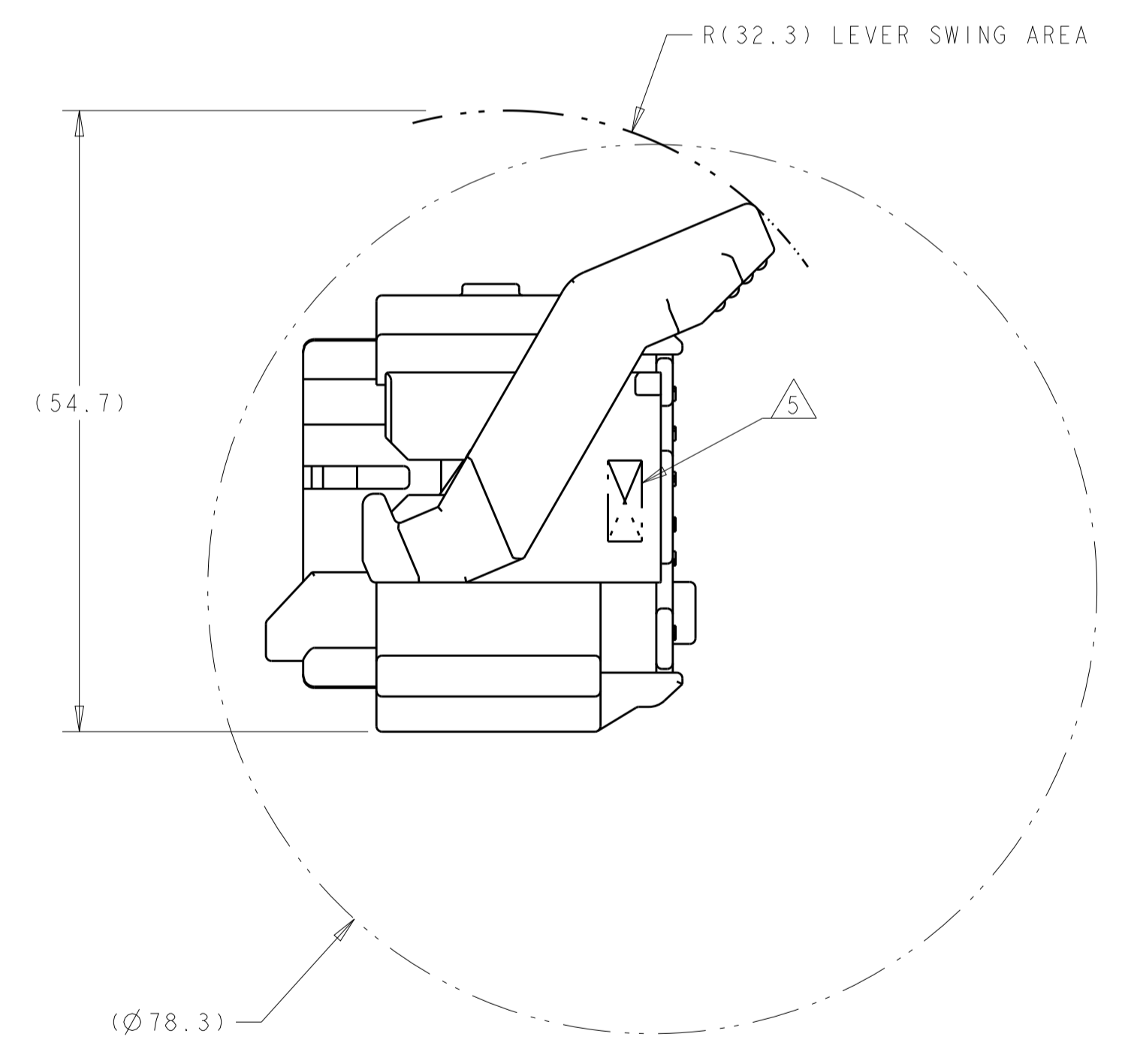
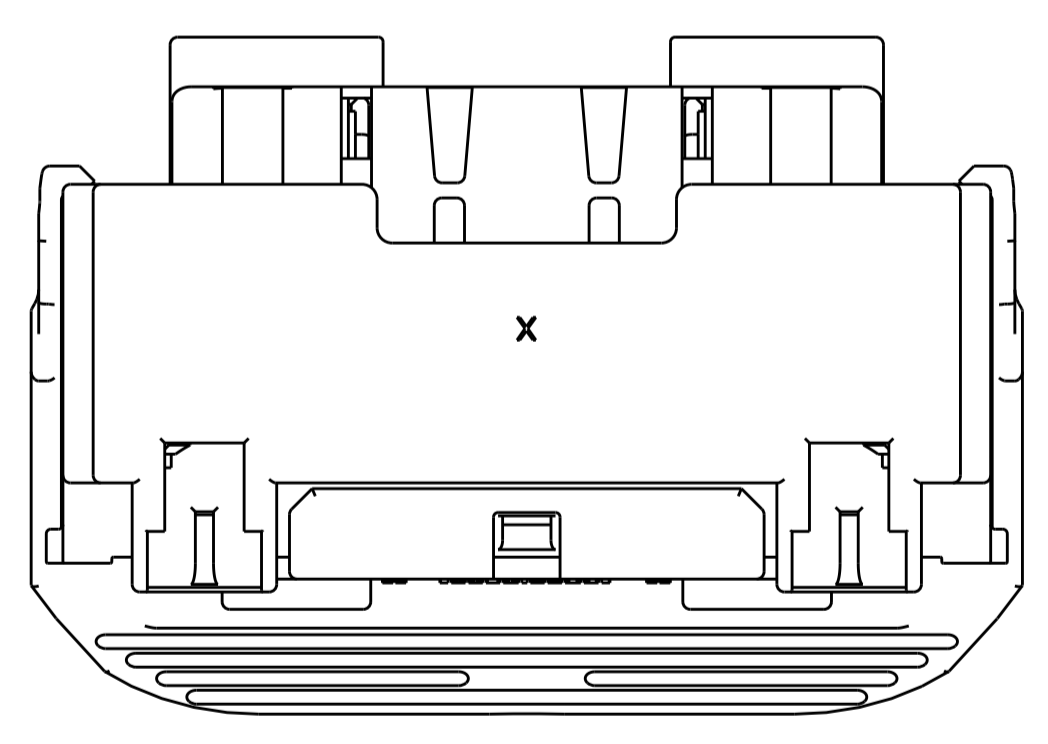
1. PRINT FORD PART NUMBER (SEE ATTACHED CHARTS) AND TRACEABILITY CODE (YY = 2 DIGIT YEAR, JJJ = JULIAN DATE, HH = 2 DIGIT MILITARY HOUR) IN THIS LOCATION AT ASSEMBLY. SEE SHEETS 3, 4 AND 5 (-*) PART NUMBERS.
 2. APPLICABLE MOLEX (1.5) POWER TERMINAL PART NUMBERS:
33012-0002 TIN 0.50-1.50mm²
 3. CAM LEVER AND SPACER ARE SHIPPED IN THEIR PRE-ASSEMBLED POSITIONS.
 4. REFERENCE TE INSTRUCTION SHEET 408-8893.
- △ COMPANY LOGO.
△ OBSOLETE PART.



SECTION A-A
SPACER AND LEVER
IN PRE-SEATED POSITION
(DELIVERY POSITION)



SHOWN WITH CAM
LEVER AND SPACER
IN LOADED POSITION



MIN. FEED THRU CONDITION
WITH 1mm CLEARANCE ALL AROUND
SHOWN WITH SPACER IN SEATED POSITION

APPLICABLE COMPONENTS (FOR REFERENCE ONLY)						
DESCRIPTION	NOMINAL TERMINAL SIZE	COLOR/PLATING	FORD COMPONENT PART NUMBER	SUPPLIER PART NUMBER	MATERIAL/SPECIFICATION NUMBER	SAE WIRE SIZE
TERMINAL - FEMALE (Ag)	0.64 (CAT. 0)	SILVER	7S4T-14474-AA	1393366-2	COPPER ALLOY/SILVER PLATE	20AWG 18AWG
TERMINAL - FEMALE (Ag)	0.64 (CAT. 0)	SILVER	7S4T-14474-BA	1393367-2	COPPER ALLOY/SILVER PLATE	22AWG
TERMINAL - FEMALE (Sn)	0.64 (CAT. 0)	TIN	1L2T-14474-AA	1393366-1	COPPER ALLOY/TIN PLATE	20AWG 18AWG
TERMINAL - FEMALE (Sn)	0.64 (CAT. 0)	TIN	1L2T-14474-BA	1393367-1	COPPER ALLOY/TIN PLATE	22AWG
TERMINAL - FEMALE (Au)	0.64 (CAT. 0)	GOLD	1L2T-14474-CA	1393365-1	COPPER ALLOY/GOLD PLATE	20AWG 18AWG
TERMINAL - FEMALE (Au)	0.64 (CAT. 0)	GOLD	1L2T-14474-DA	1393364-1	COPPER ALLOY/GOLD PLATE	22AWG

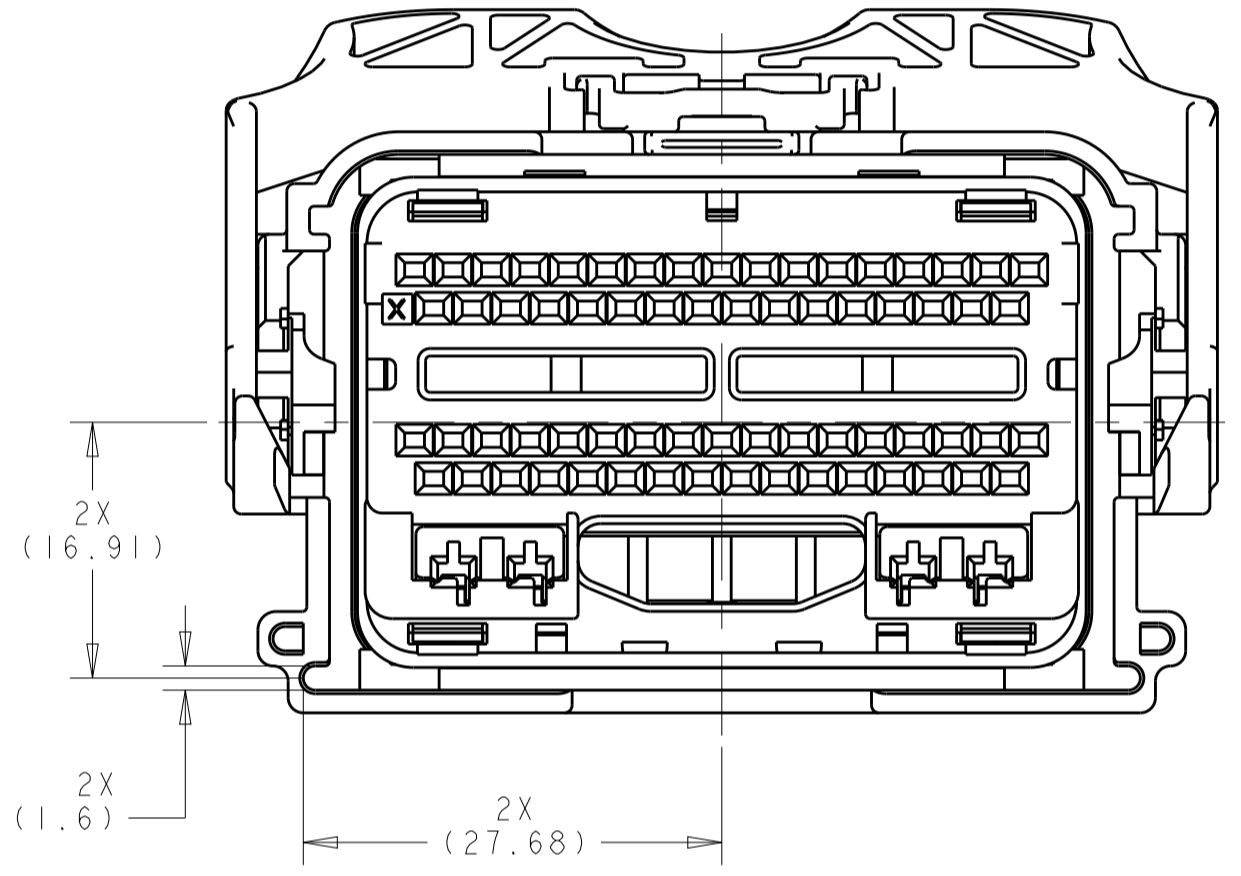
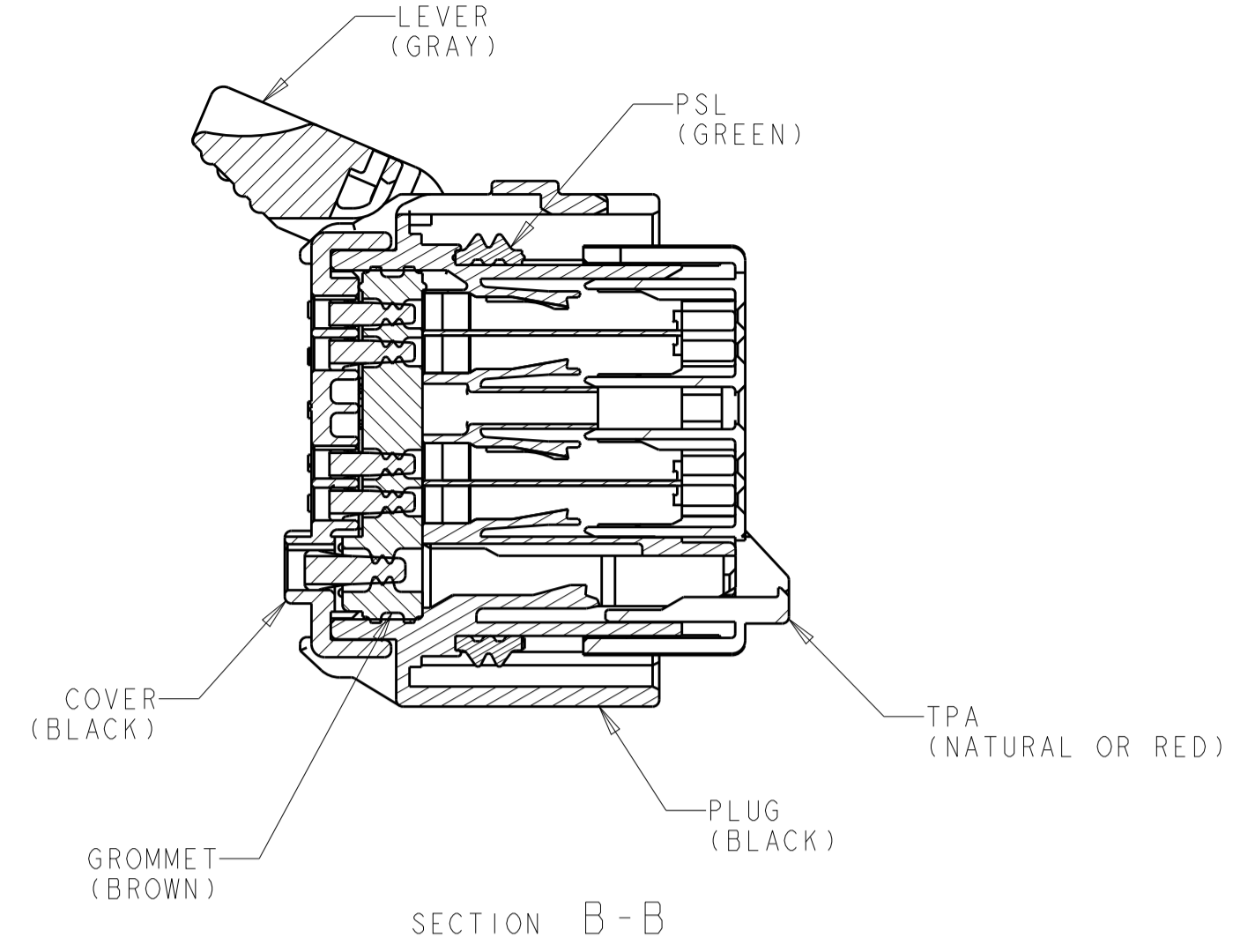
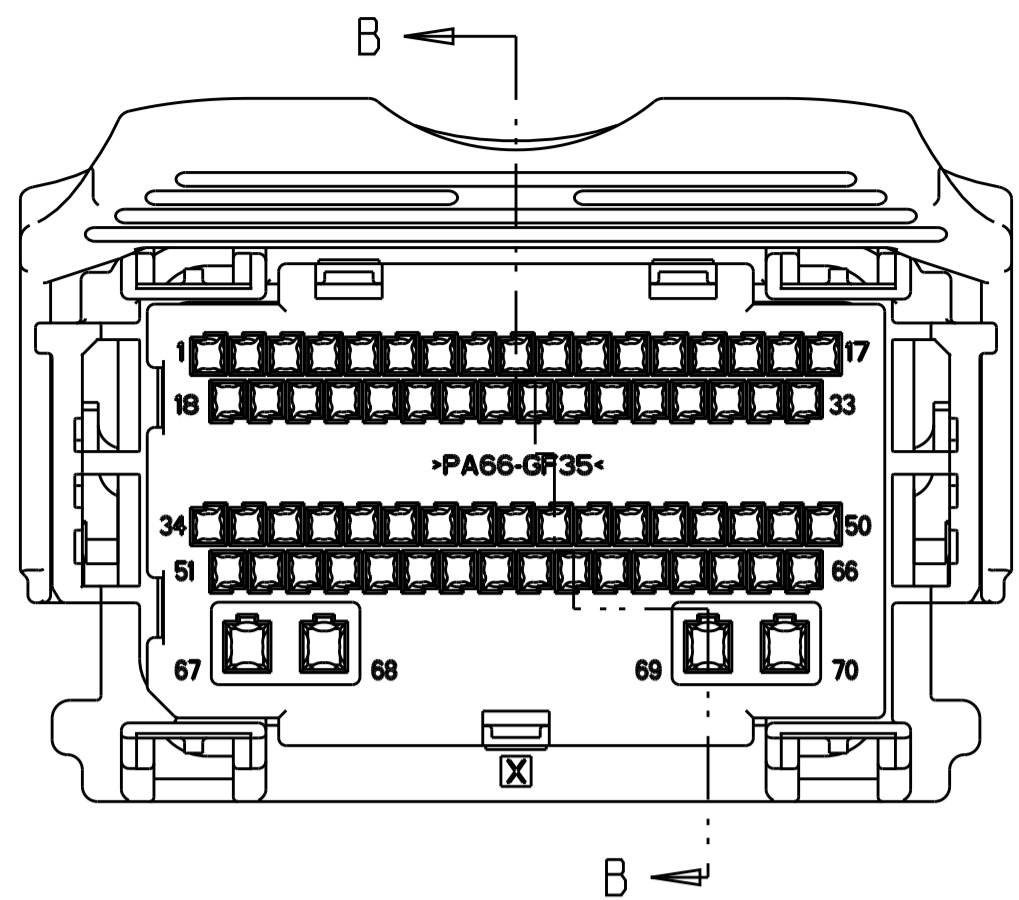
SEE SHEETS 3 THRU 7
PART NUMBER

THIS DRAWING IS A CONTROLLED DOCUMENT.

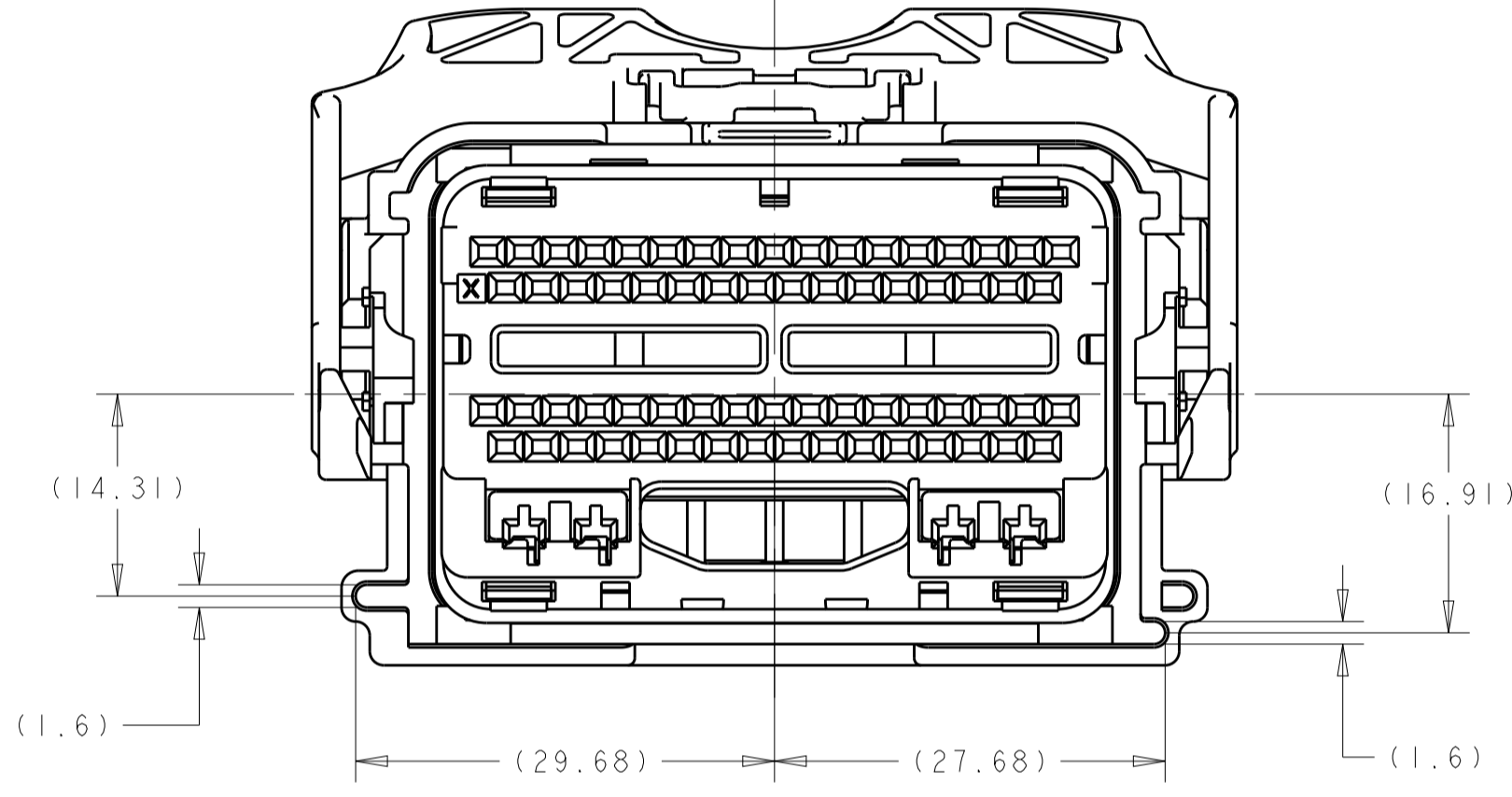
DIMENSIONS: mm 	TOLERANCES UNLESS OTHERWISE SPECIFIED: 0 PLC ±0.3 1 PLC ±0.10 2 PLC ±0.10 3 PLC ±0.10 4 PLC ±0.10 ANGLES ±1° FINISH	DWN: R. VESTAL 15APR2005 CHK: T. VALASEK 15APR2005 APVD: T. VALASEK 15APR2005 PRODUCT SPEC APPLICATION SPEC WEIGHT CUSTOMER DRAWING	NAME: 70-WAY HARNESS ASSEMBLY SIZE: A1 CAGE CODE: 100779 DRAWING NO: 1438136 SCALE: 2:1 SHEET: 1 OF 11 REV: G48
-----------------------	--	---	---

TE Connectivity

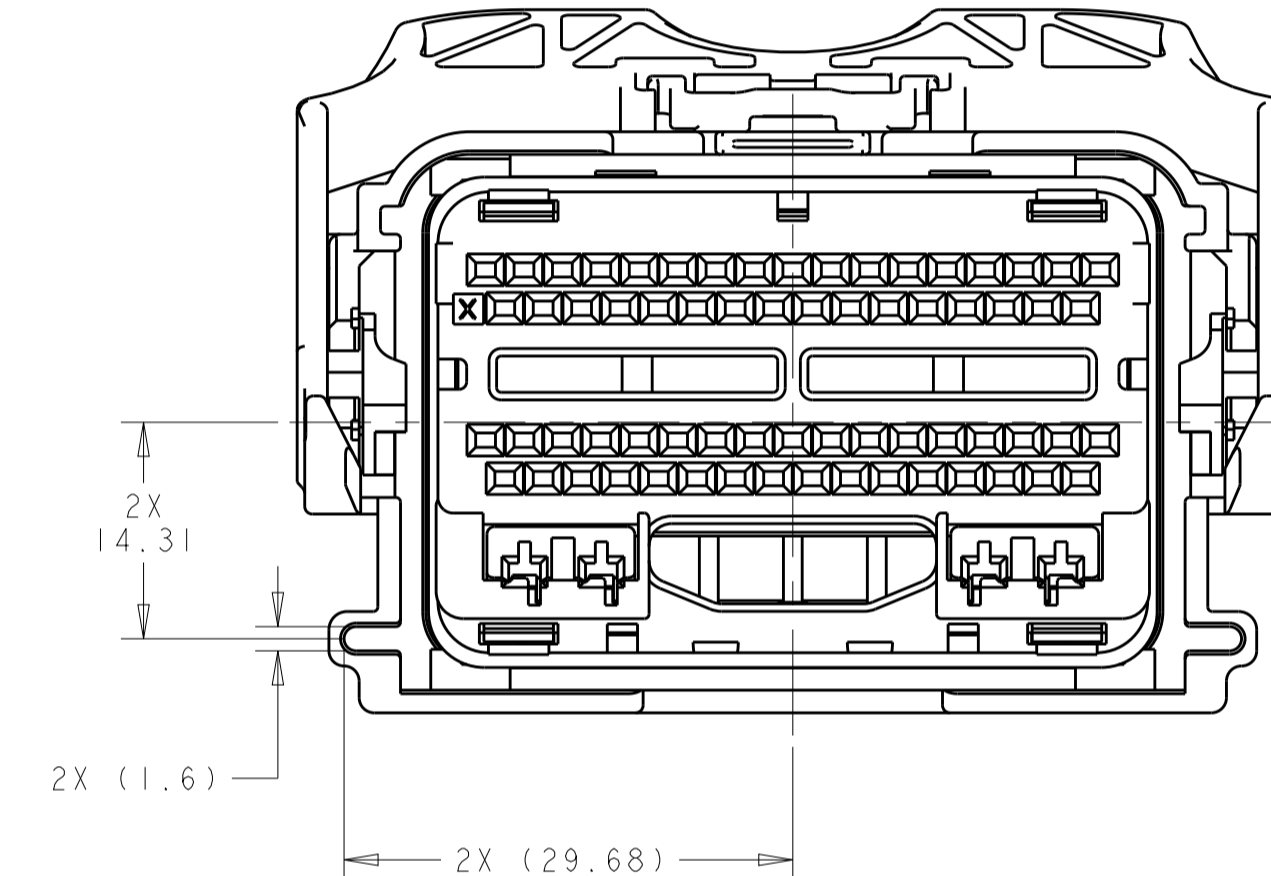
REVISIONS				
P.	LTN	DESCRIPTION	DATE	APP'D
-	-	SEE SHEET 1	-	-



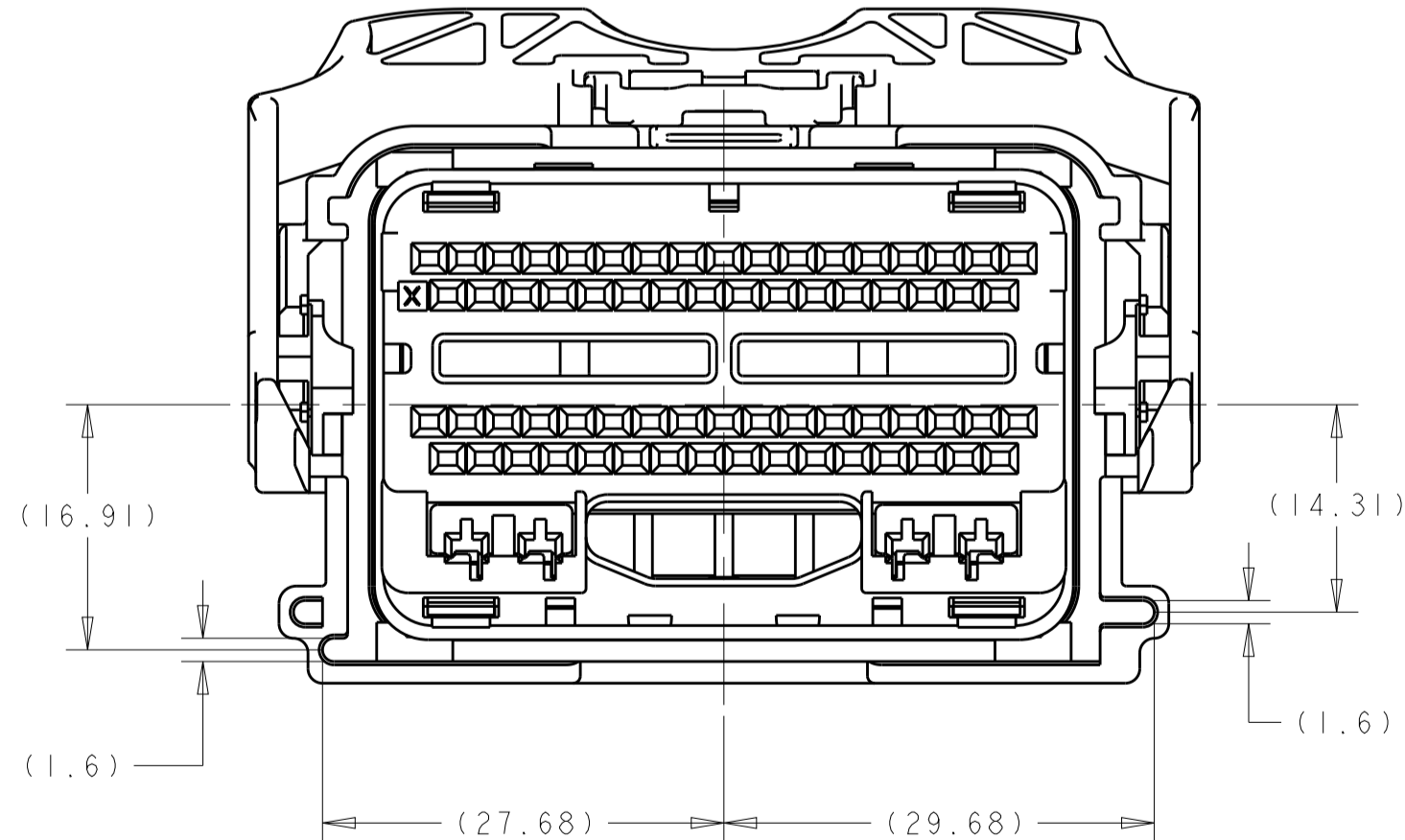
KEYING OPTION "A"



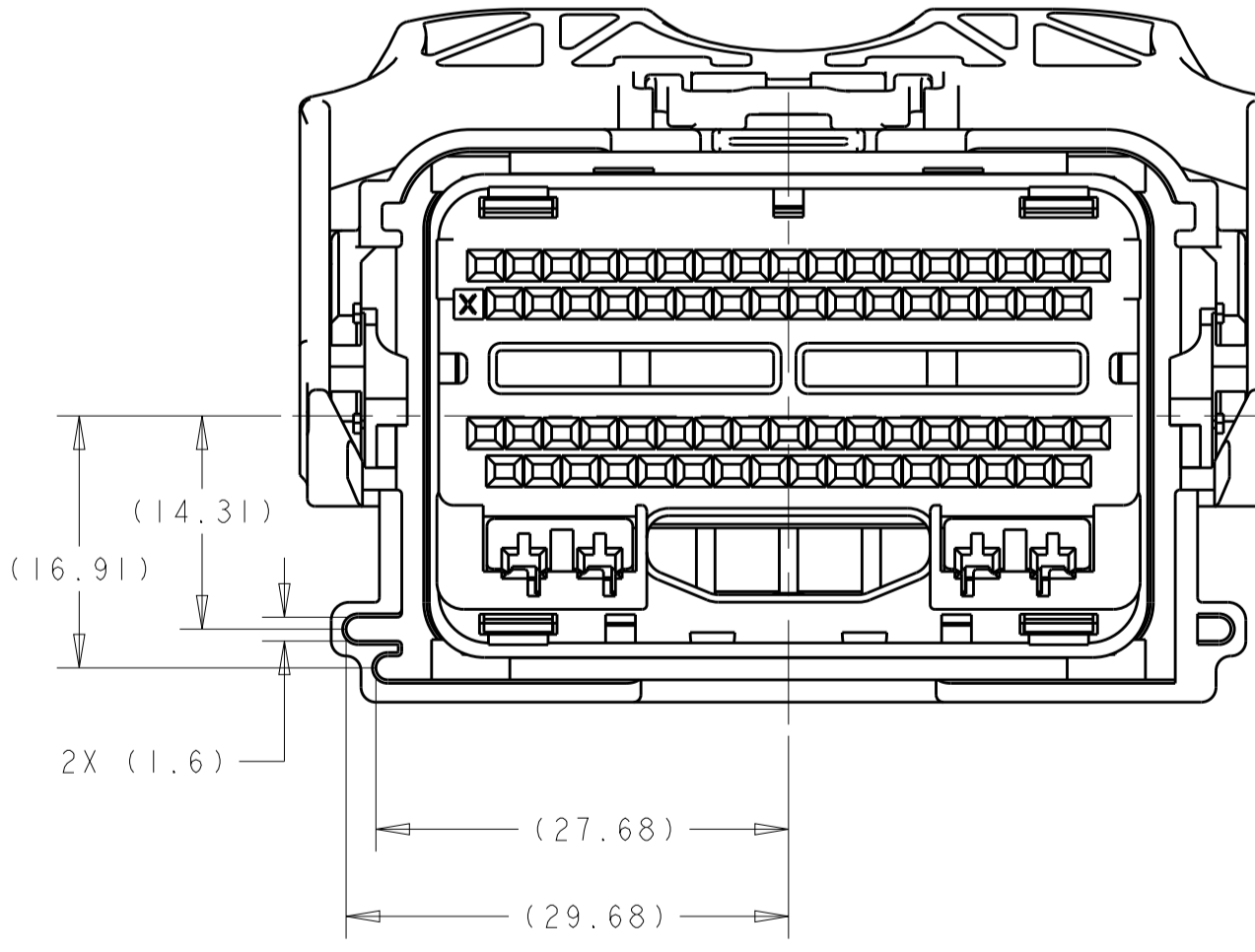
KEYING OPTION "B"



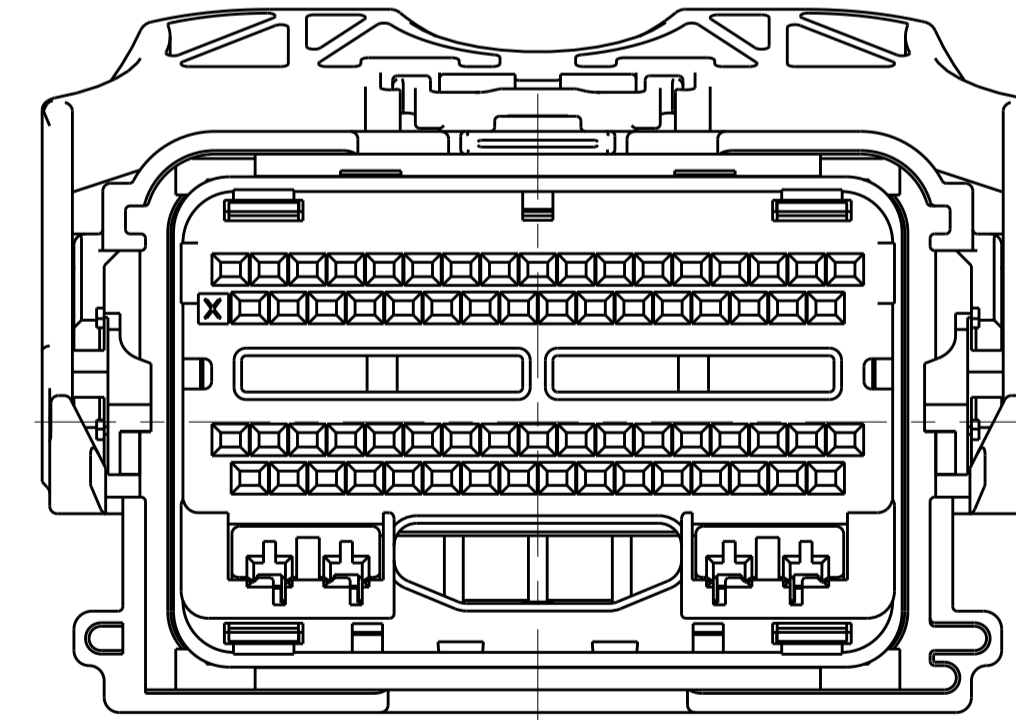
KEYING OPTION "C"



KEYING OPTION "D"



KEYING OPTION "E"



KEYING OPTION "F"

THIS DRAWING IS A CONTROLLED DOCUMENT.		OWN: R. VESTAL 15APR2005	TE Connectivity
DIMENSIONS: mm		CHK: T. VALASEK 15APR2005	
TOLERANCES UNLESS OTHERWISE SPECIFIED:		APVD: T. VALASEK 15APR2005	NAME: 70-WAY HARNESS ASSEMBLY
0 PLC ±		PRODUCT SPEC	SIZE: A100779C=1438136
1 PLC ±0.3		APPLICATION SPEC	RESTRICTED TO: -
2 PLC ±0.10		WEIGHT	SCALE: 2:1 SHEET 2 OF 11 REV: 648
3 PLC ±		CUSTOMER DRAWING	
4 PLC ±			
ANGLES ±			
FINISH ±			

REVISIONS table with columns: P, LTR, DESCRIPTION, DATE, DWN, APVD. Row 1: - SEE SHEET 1, -, -, -

Main pin-out chart table with columns for terminal positions (70-1) and rows for pin configurations. Includes a large 'KEYING OPTION D' label rotated 90 degrees.

CAVITIES WITH A NUMERIC SYMBOL INDICATES CLOSED TERMINAL LOCATIONS

BLANK CAVITIES INDICATES OPEN TERMINAL LOCATIONS

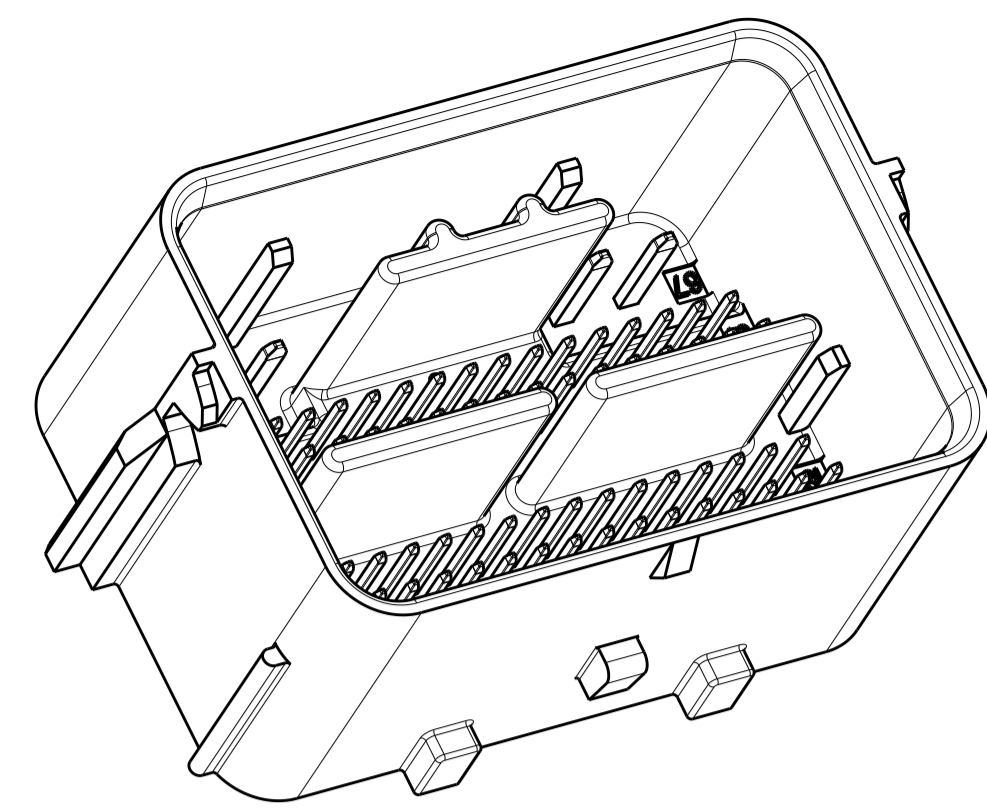
TERMINAL HOLE POSITION

8U5T-14A464-B* PIN-OUT CHART

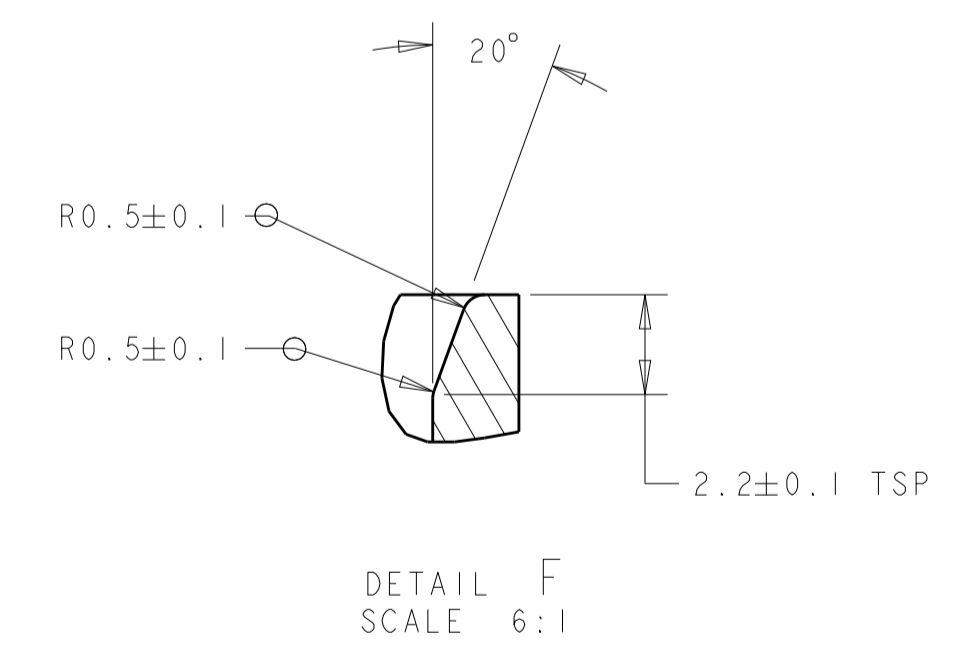
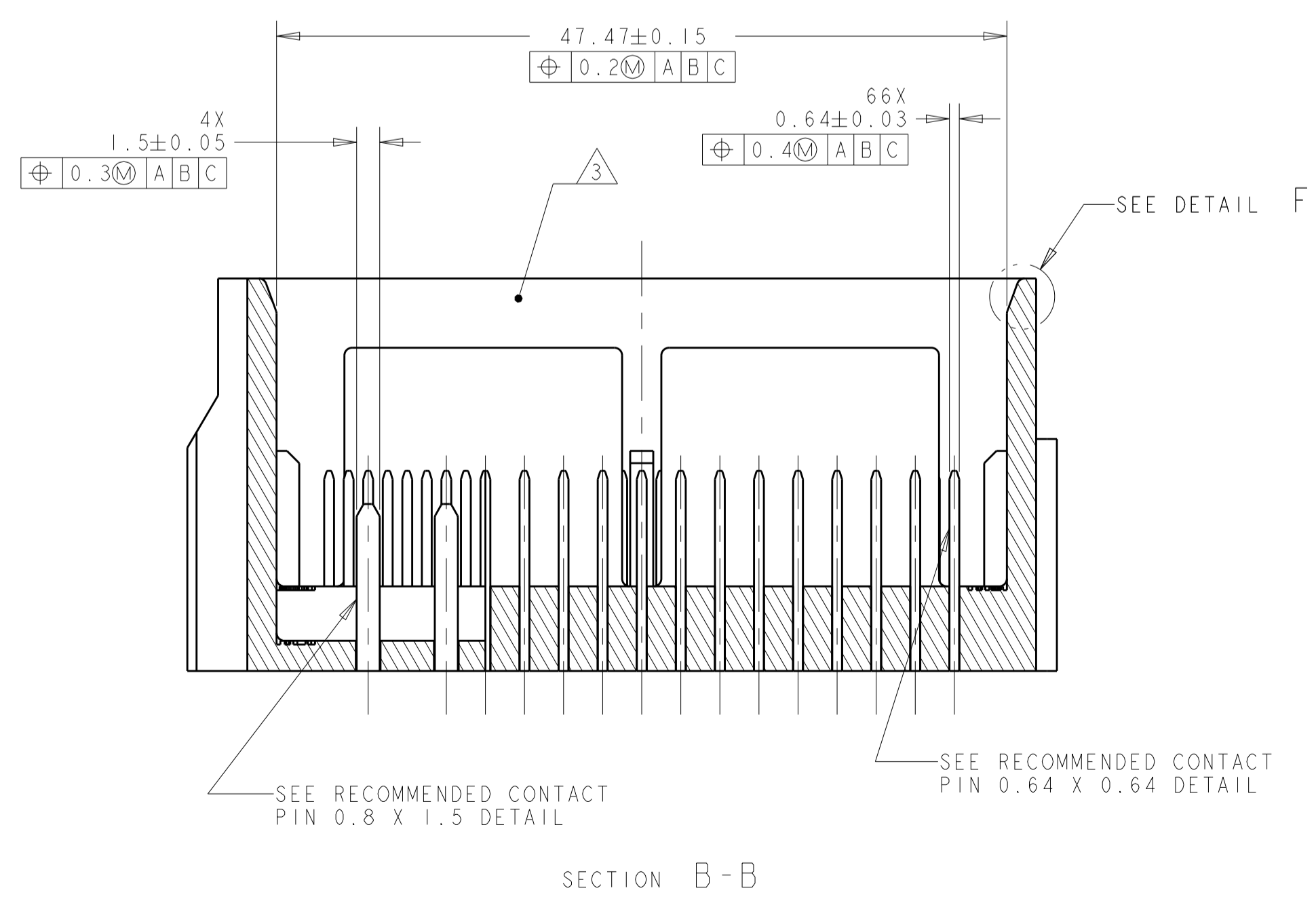
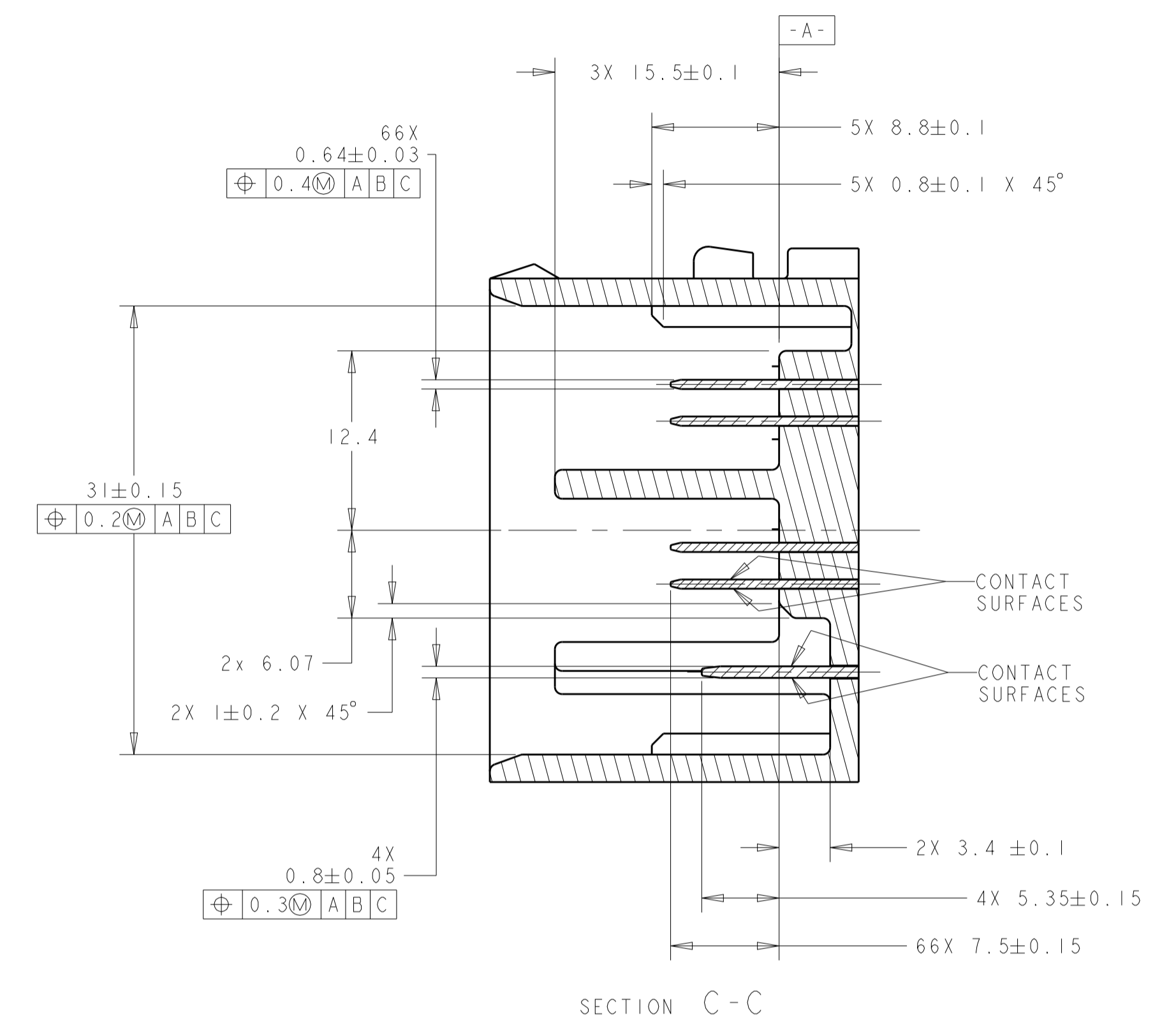
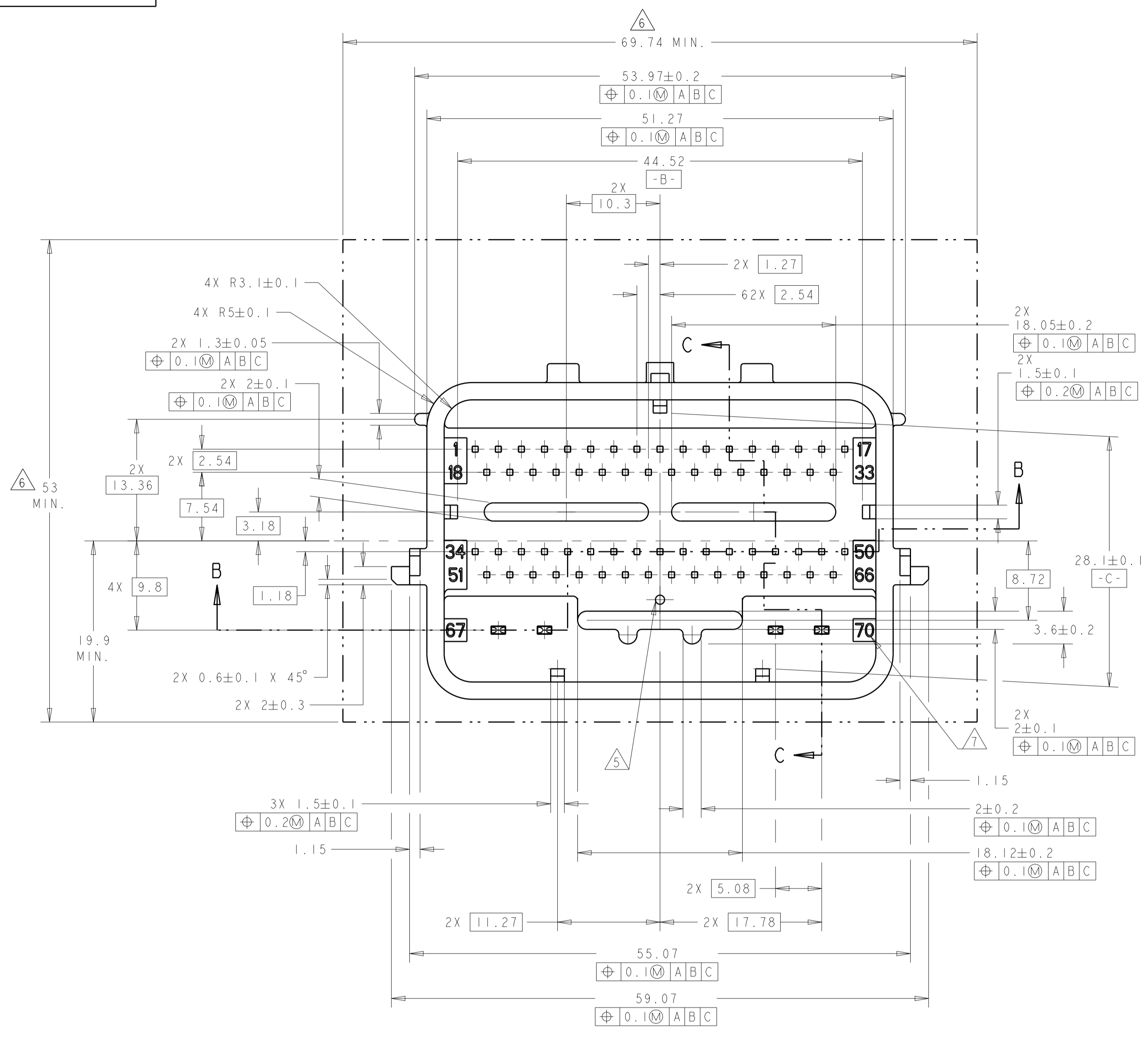
ASSEMBLY PART NUMBER and FORD PART NUMBER

Technical drawing footer containing dimensions, tolerances, material, weight, and customer drawing information. Includes the STC logo and product name '70-WAY HARNESS ASSEMBLY'.

REVISIONS				
P.	LTN.	DESCRIPTION	DATE	APPV.
-	-	SEE SHEET 1	-	-



SCALE 2:1

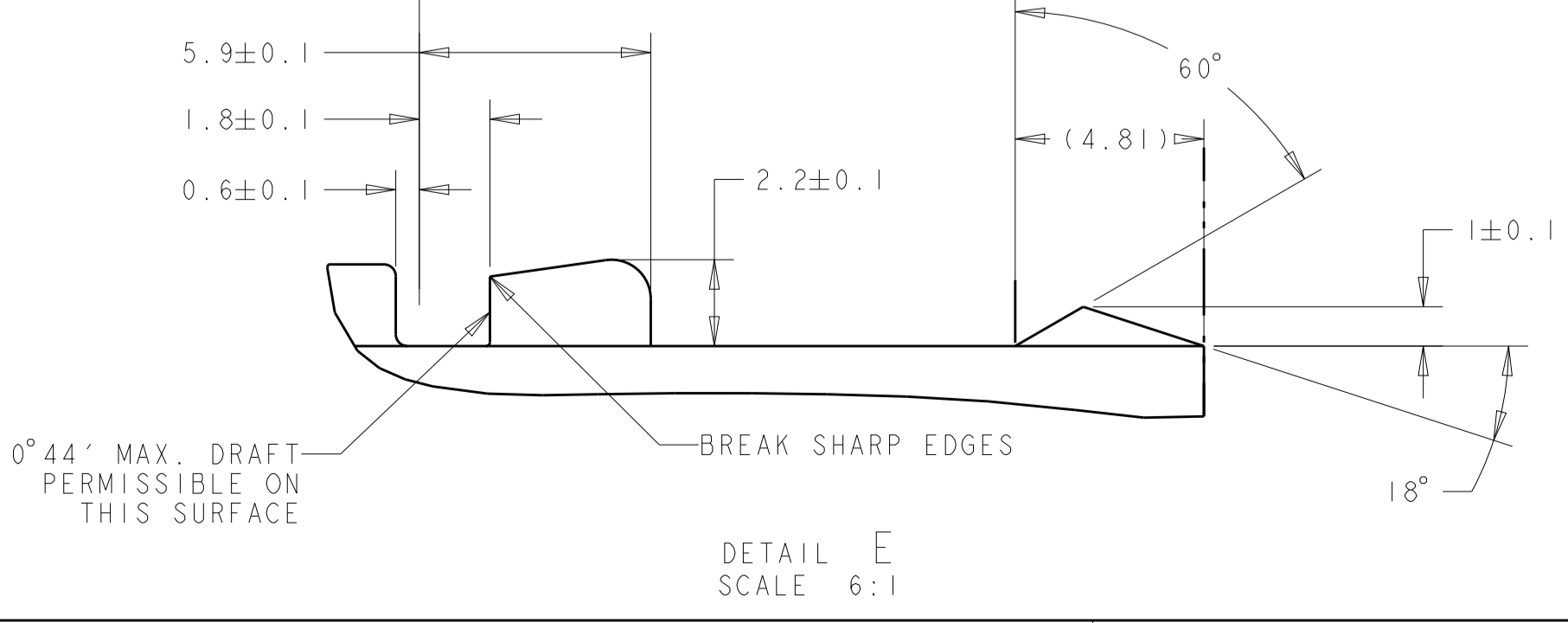
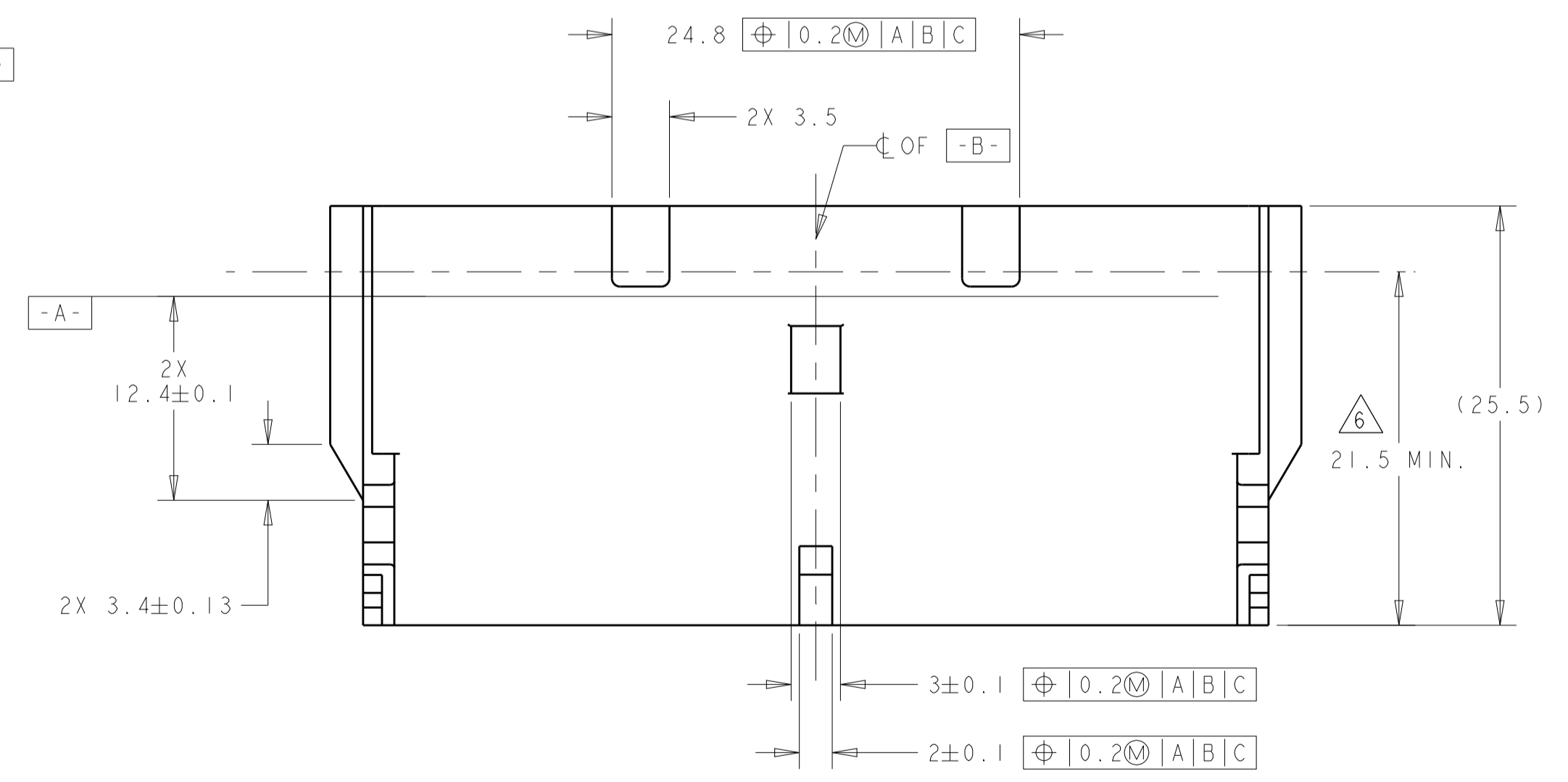
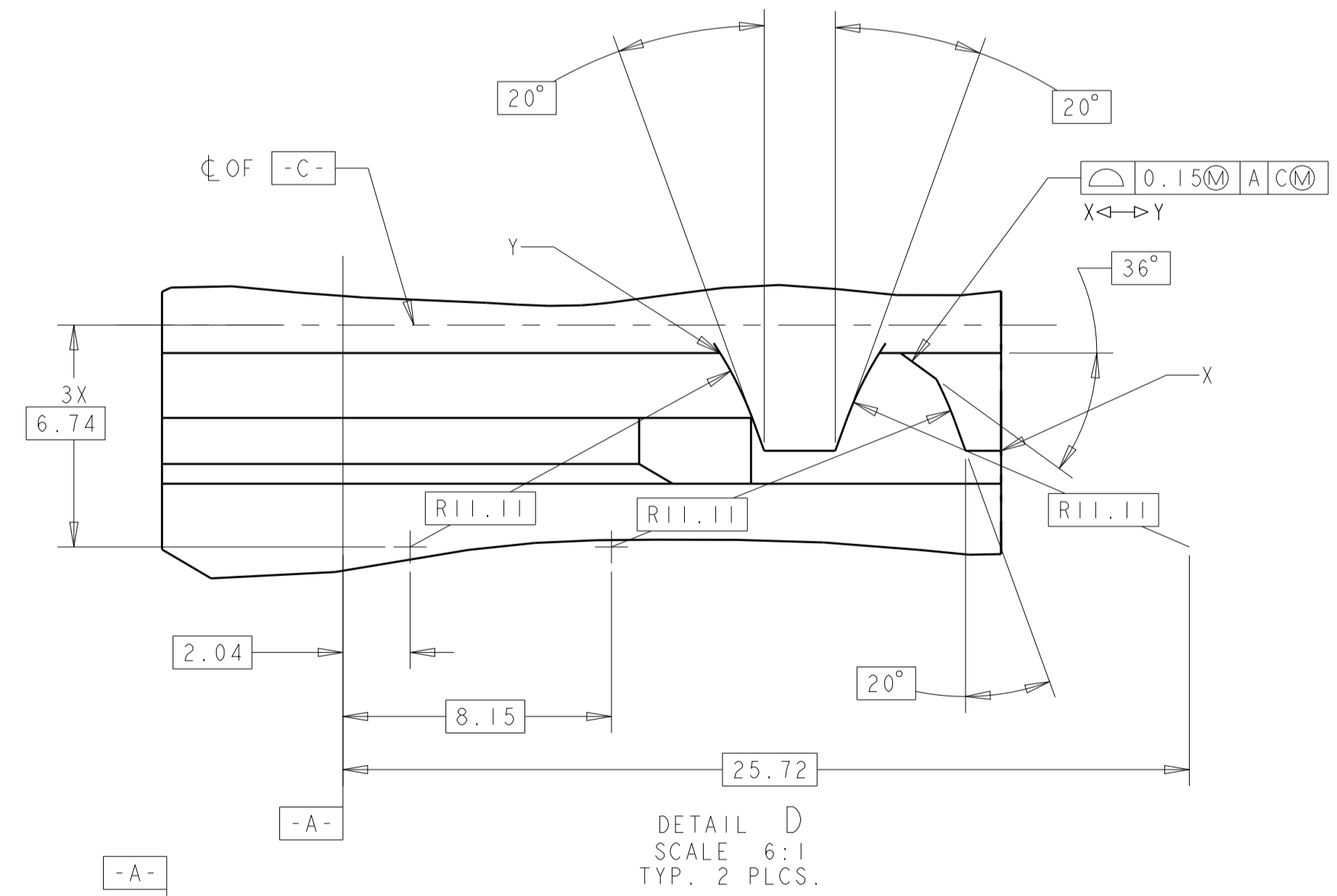
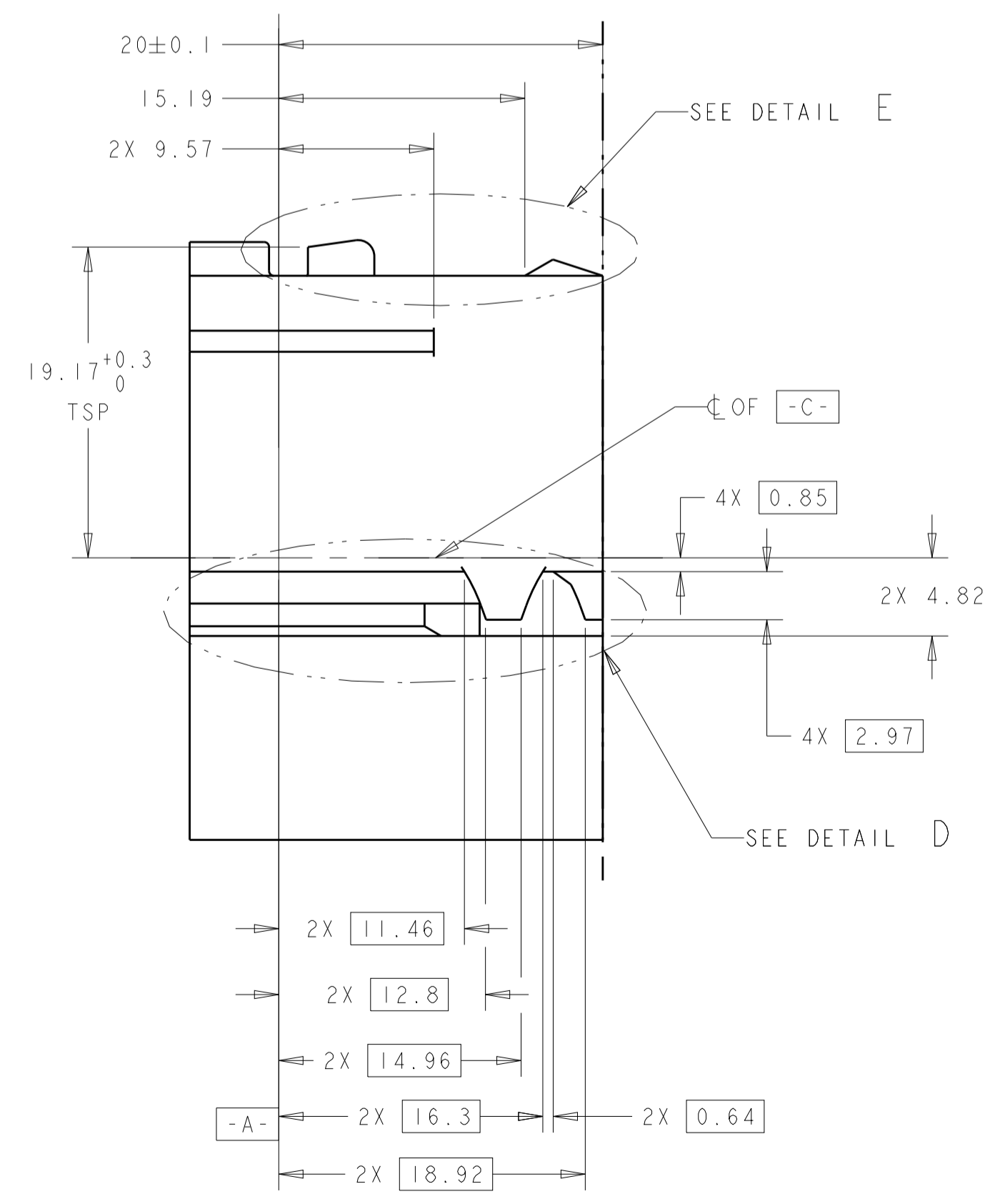
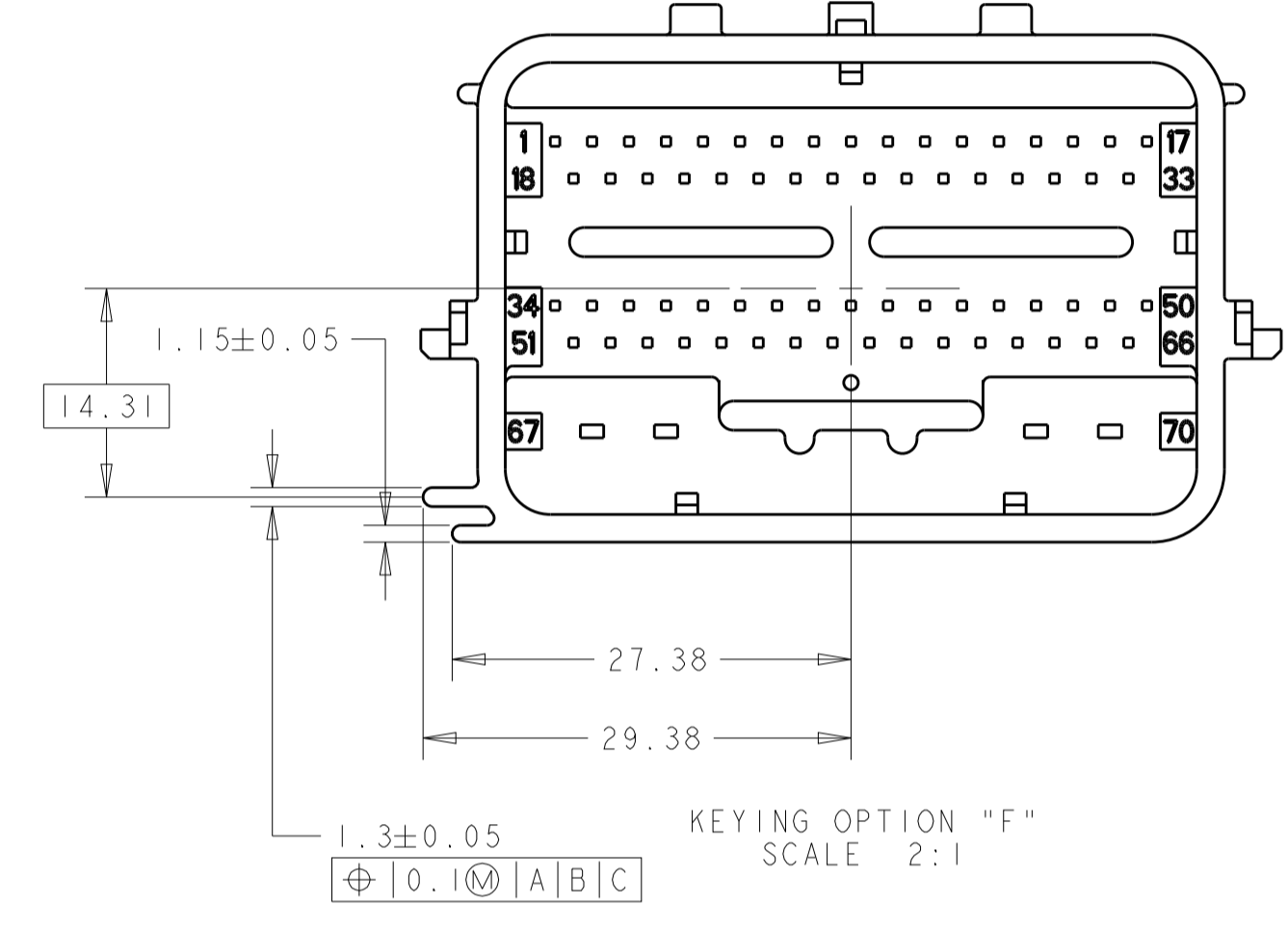
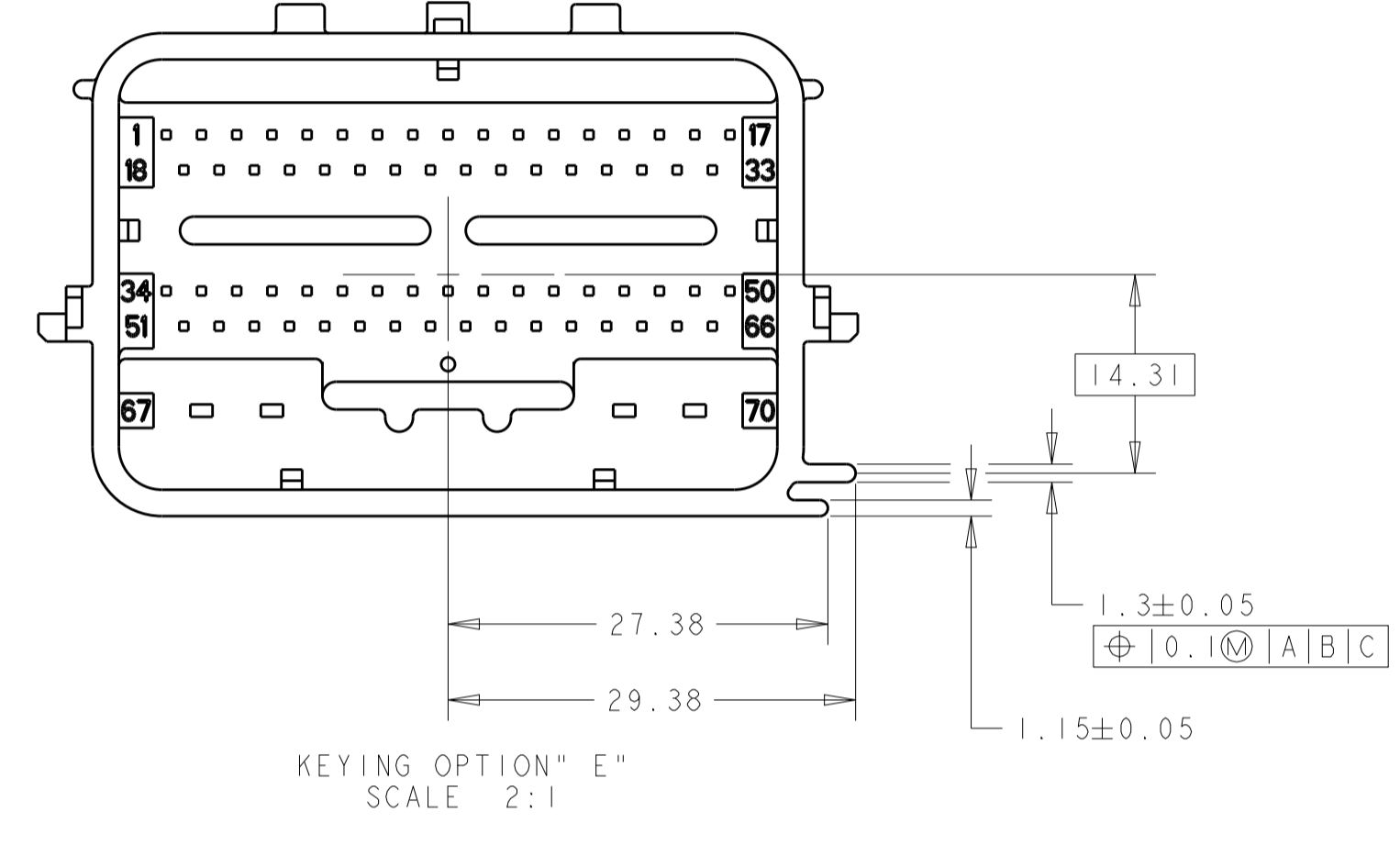
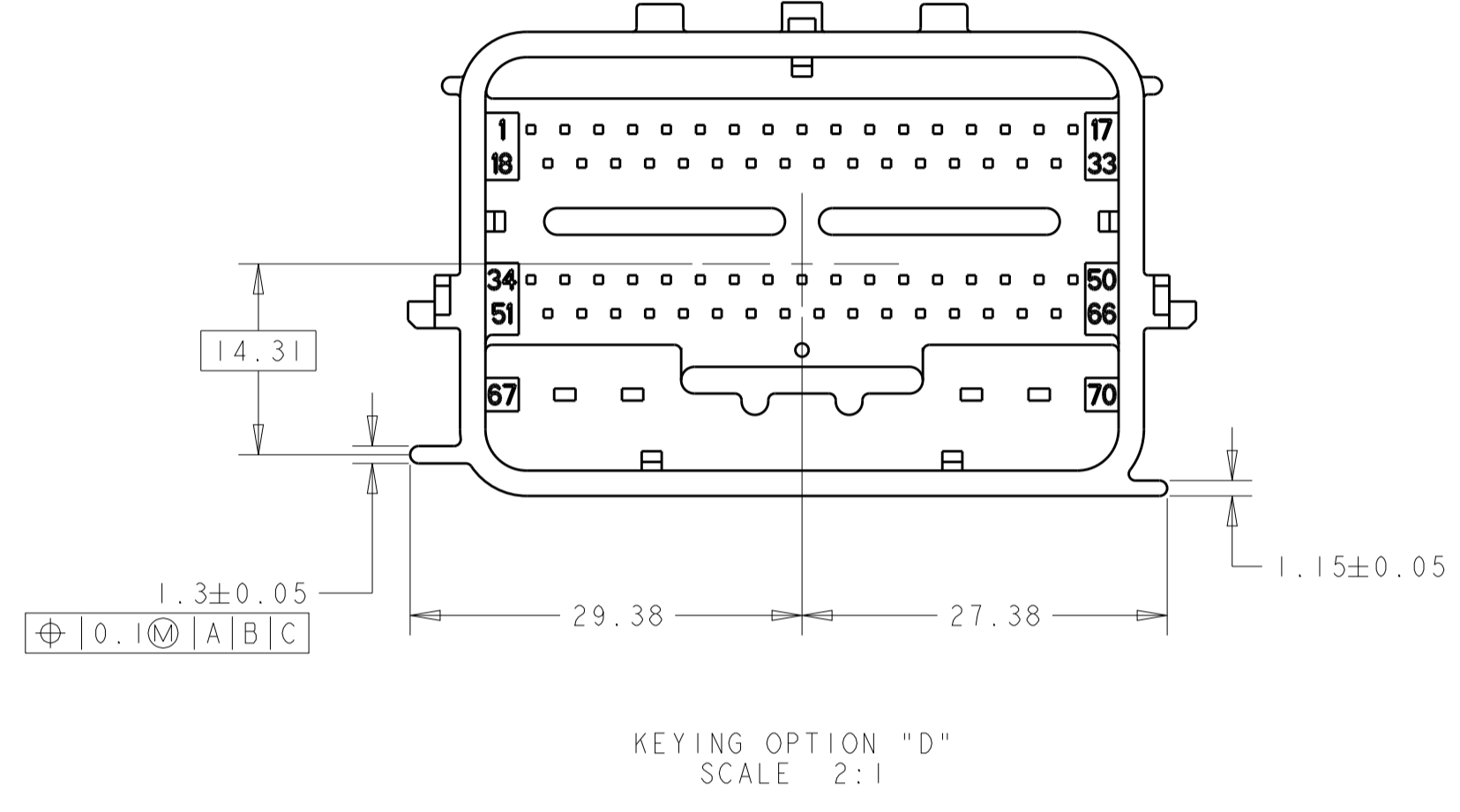
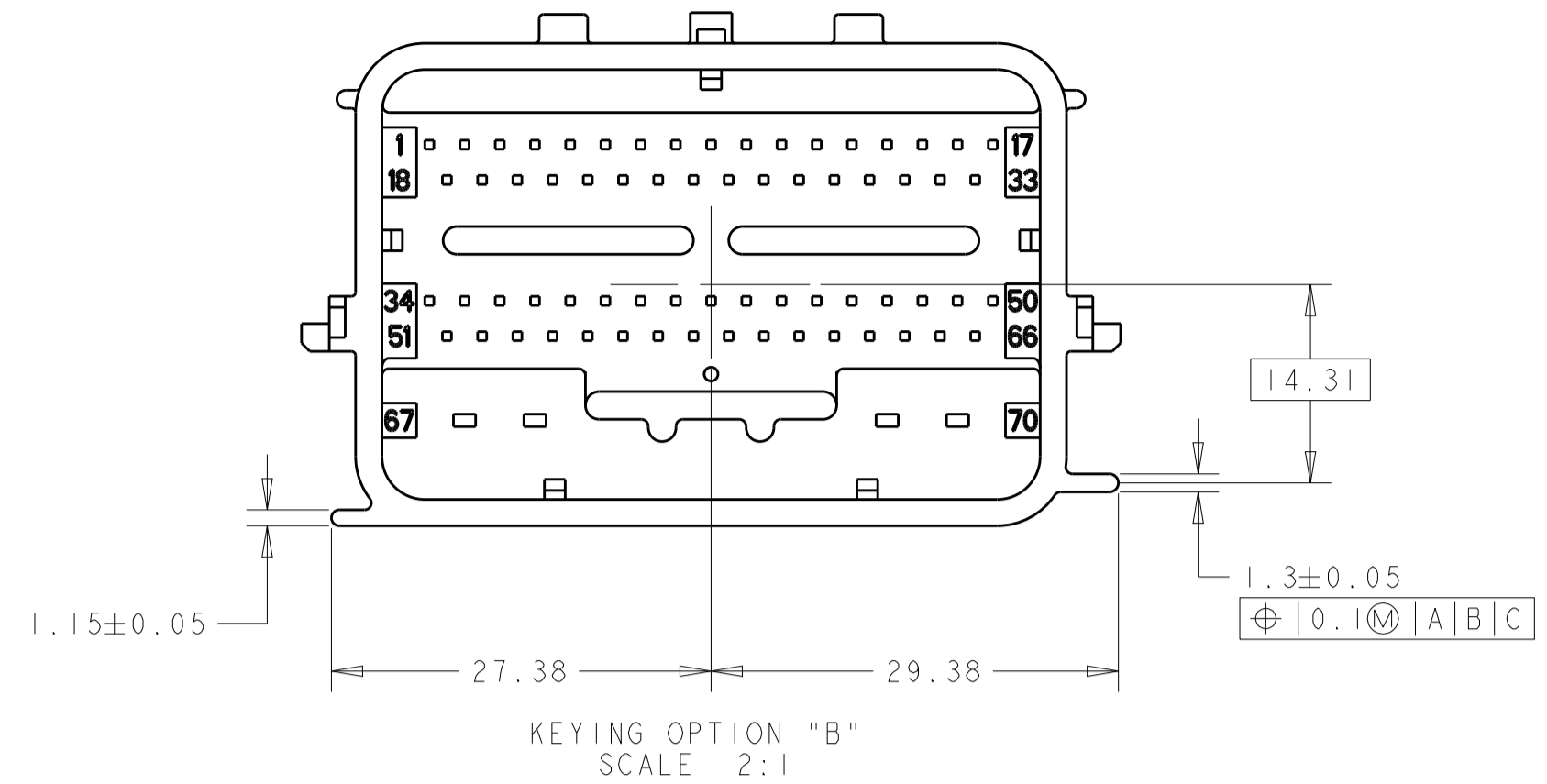
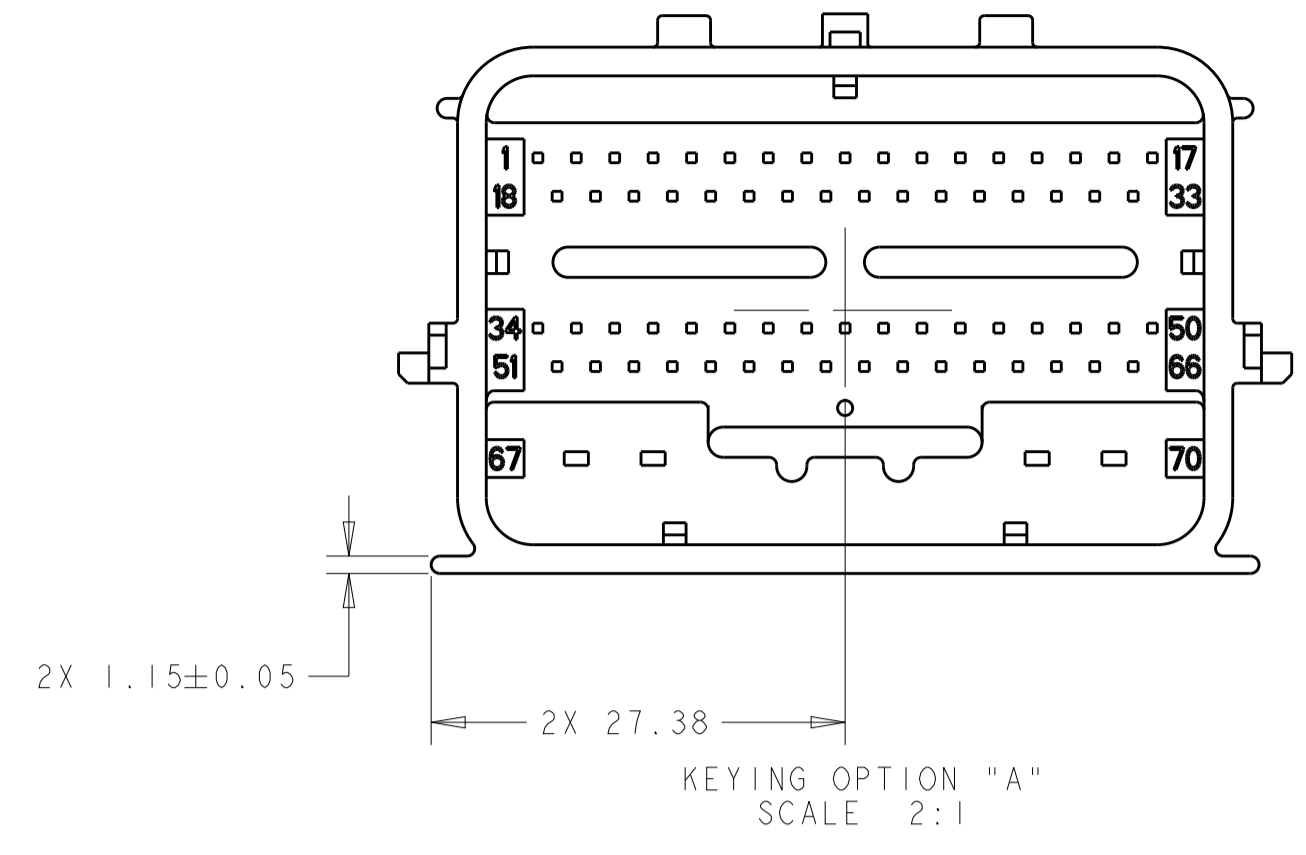


- NOTES: UNLESS OTHERWISE SPECIFIED
- GENERAL TOLERANCE:
 ±0.3 ALL ONE PLACE DIMENSIONS
 ±0.10 ALL TWO PLACE DIMENSIONS
 ±1°00' ALL ANGULAR DIMENSIONS
 - DRAFT ANGLE PERMISSIBLE ONLY WITHIN DRAWING TOLERANCE.
- 3 SEALING SURFACE, NO WITNESS LINES OF DAMAGE PERMITTED.
4. ALL UNMARKED RADI TO BE 0.5 MAX., UNLESS OTHERWISE SPECIFIED
- 5 VENT HOLE SIZE AND LOCATION IS OPTIONAL.
- 6 THIS AREA TO REMAIN CLEAR FOR THE HARNESS ASSEMBLY.
- 7 TERMINAL POSITION IDENTIFICATION.
8. MATES WITH TYCO ELECTRONICS PART# 1438136-*

THIS DRAWING IS A CONTROLLED DOCUMENT.		OWN: R. VESTAL 15APR2005	TE Connectivity
DIMENSIONS: mm		CHK: T. VALASEK 15APR2005	
		APVD: T. VALASEK 15APR2005	NAME: 70-WAY HARNESS ASSEMBLY
MATERIAL: -		FINISH: -	SIZE: CAGE CODE DRAWING NO: A100779C=1438136
CUSTOMER DRAWING		SCALE: 2:1	SHEET 10 OF 11 REV: 648

HEADER INTERFACE KEYING OPTIONS

REVISIONS				
P.	LTN.	DESCRIPTION	DATE	OWN. APVD.
-	-	SEE SHEET 1	-	-



0° 44' MAX. DRAFT PERMISSIBLE ON THIS SURFACE

DETAIL E
SCALE 6:1

THIS DRAWING IS A CONTROLLED DOCUMENT.		OWN. R. VESTAL 15APR2005	TE Connectivity
DIMENSIONS: mm		CHK. T. VALASEK 15APR2005	
TOLERANCES UNLESS OTHERWISE SPECIFIED:		APVD. T. VALASEK 15APR2005	NAME
0 PLC ±0.3	1 PLC ±0.3	PRODUCT SPEC	70-WAY HARNESS ASSEMBLY
2 PLC ±0.10	3 PLC ±0.10	APPLICATION SPEC	SIZE CAGE CODE DRAWING NO.
4 PLC ±0.15	ANGLES ±0.1	WEIGHT	A100779C=1438136
MATERIAL	FINISH	CUSTOMER DRAWING	RESTRICTED TO
		SCALE 2:1	SHEET 11 OF 11 REV 648

X-ON Electronics

Largest Supplier of Electrical and Electronic Components

Click to view similar products for [Automotive Connectors](#) category:

Click to view products by [TE Connectivity](#) manufacturer:

Other Similar products are found below :

[003-018-000](#) [60403001](#) [60993906-B](#) [M902-2131](#) [M902-2161](#) [72.330.1035.1](#) [73.353.4028.0](#) [F119300-B](#) [F166900](#) [F258300-B](#) [F358300-B](#)
[F407400](#) [F444110](#) [F487000](#) [F509500B-B](#) [827153-1](#) [8N1515-32-24P](#) [9-1326729-8](#) [925474-1](#) [928905-1](#) [964562-4](#) [968782-1](#) [GT17SA-8DS-](#)
[HU](#) [98891-1012](#) [98947-1016](#) [12004147](#) [12004475-L](#) [12010290](#) [12010309-B](#) [12015454](#) [12020219-B](#) [12020308](#) [12041318-B](#) [12052225-L](#)
[12052466](#) [12059125](#) [12064869](#) [12004327-B](#) [12010503-B](#) [12015308](#) [12015384](#) [12015909](#) [1-21030-1](#) [12041254](#) [12041318](#) [12047946-B](#)
[12047957](#) [12047957-L](#) [12059473](#) [12066261](#)