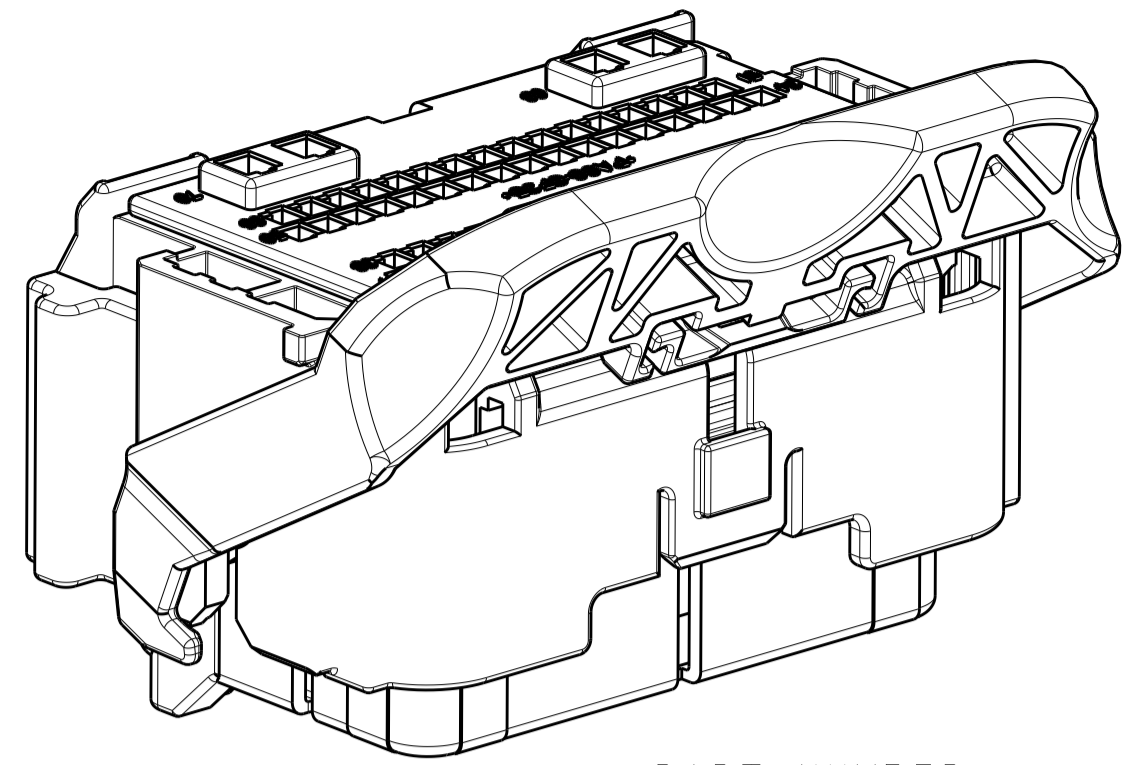
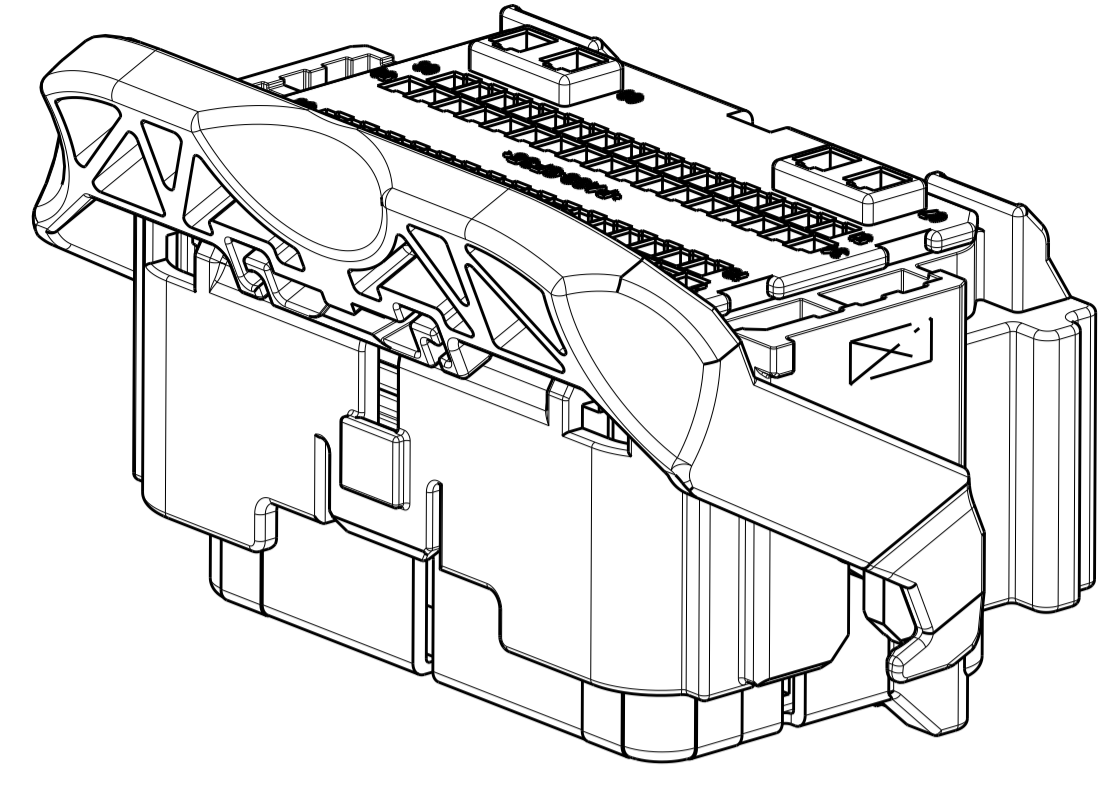
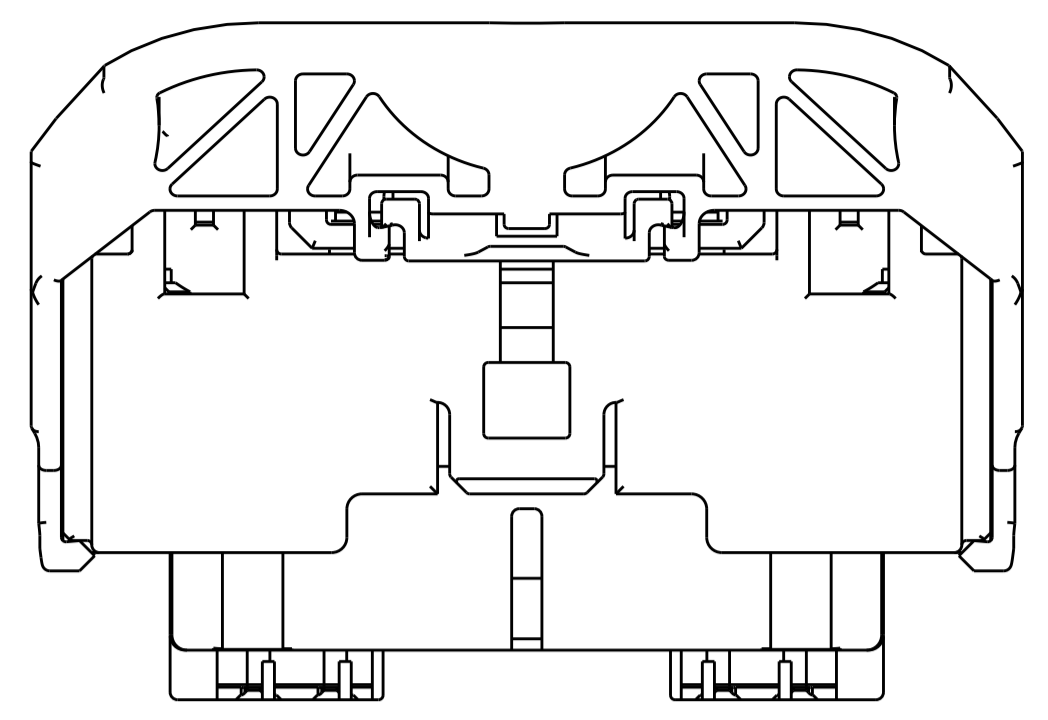


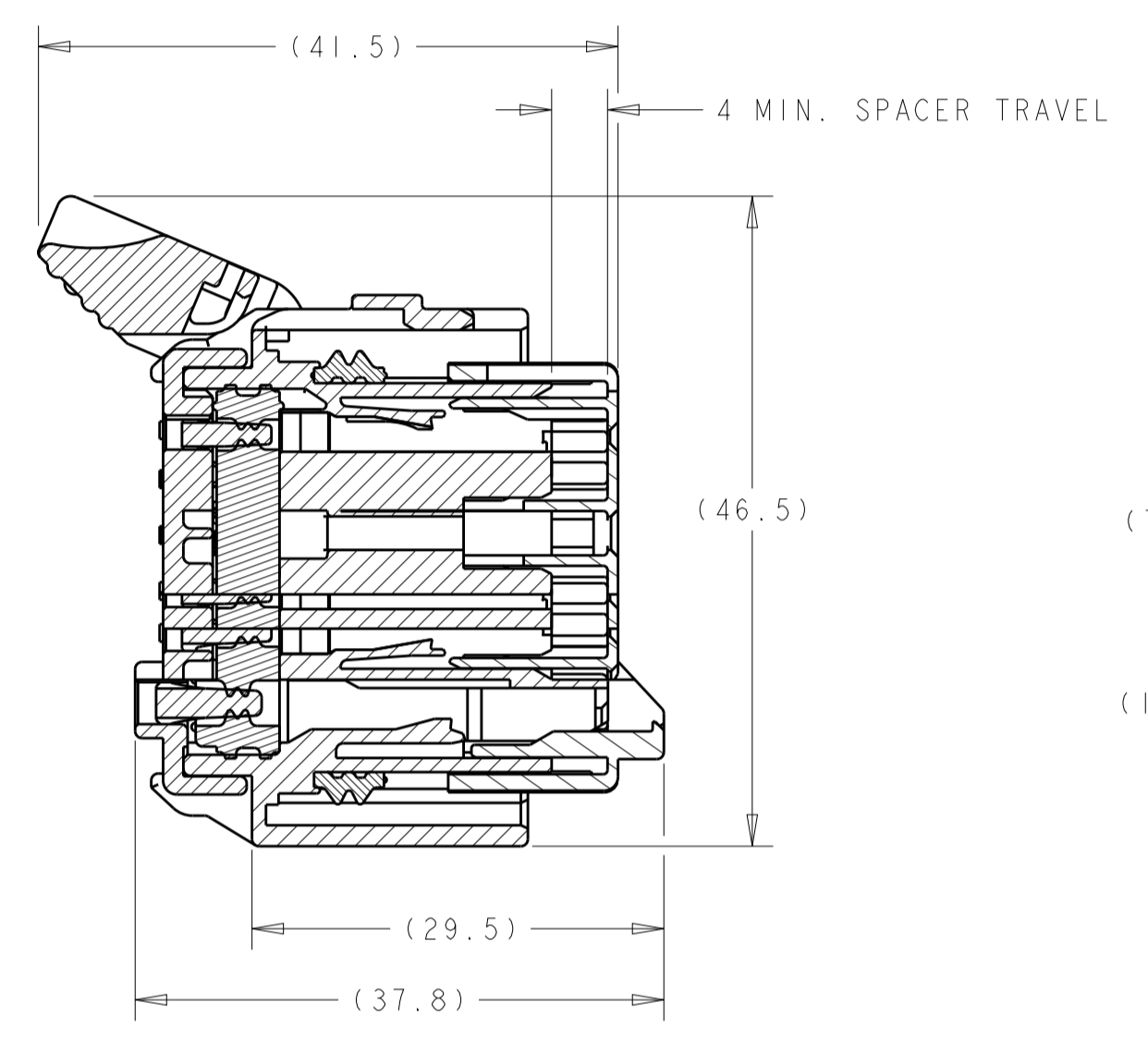
REVISIONS					
P.	LTN.	DESCRIPTION	DATE	DWN.	APVD.
G45		REVISED PER ECO-13-011449	16JUL2013	DLD	DCM
G46		REVISED PER ECO-14-007153	19MAY2014	DLD	DCM
G47		REVISED PER ECO-14-014965	09OCT2013	DLD	DCM
G48		REVISED PER ECO-20-012739	05OCT2020	AP	CM



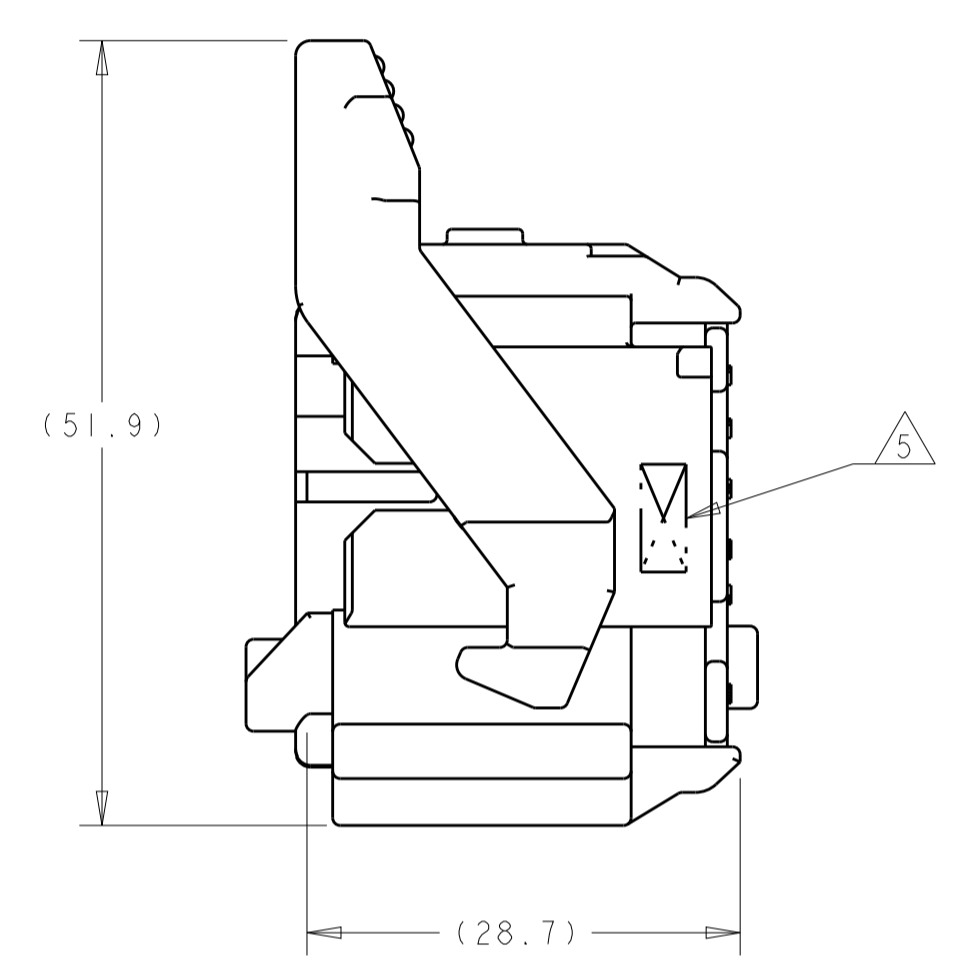
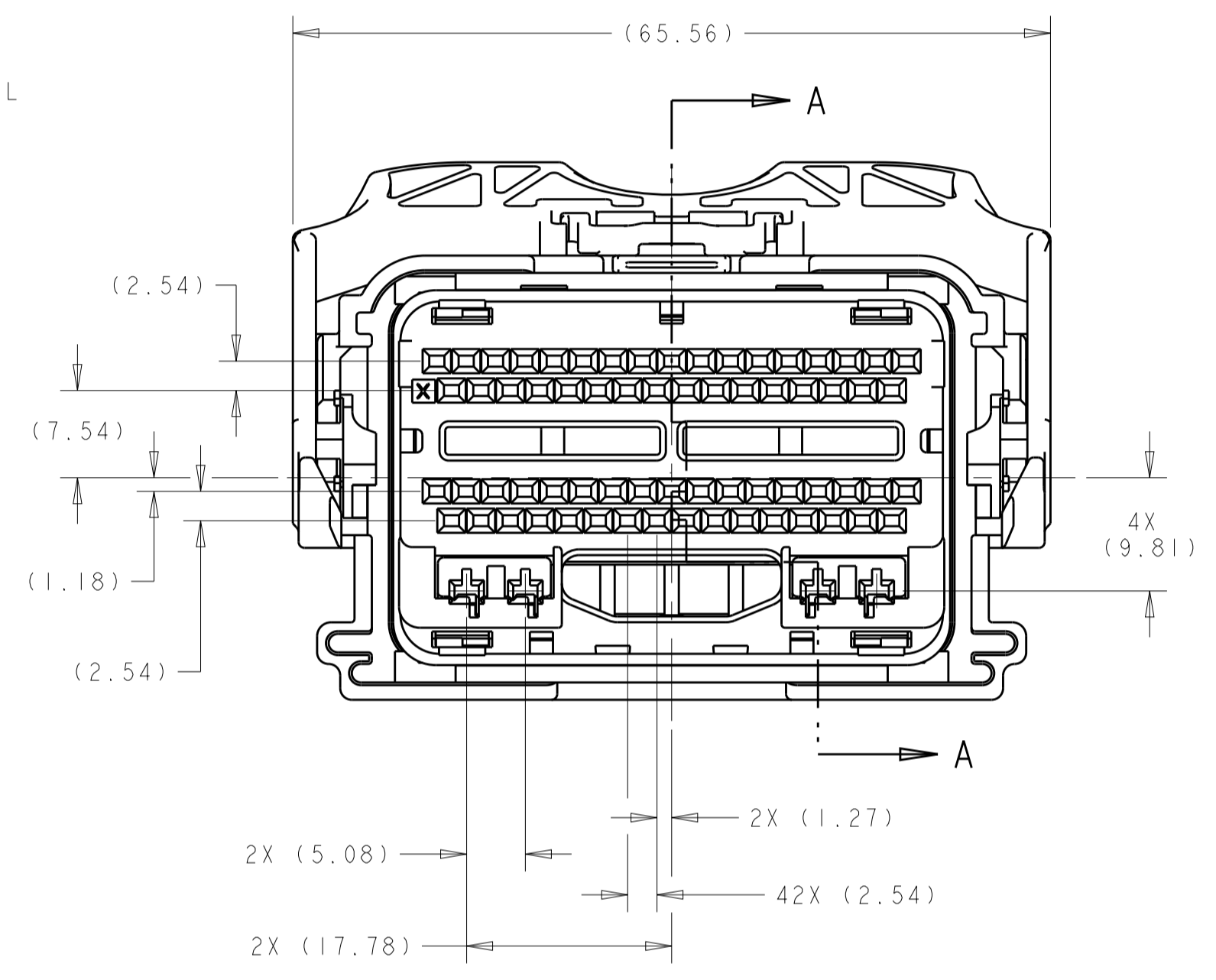
PART NUMBER:
1438136-1
SHOWN WITH SPACER
IN SEATED POSITION



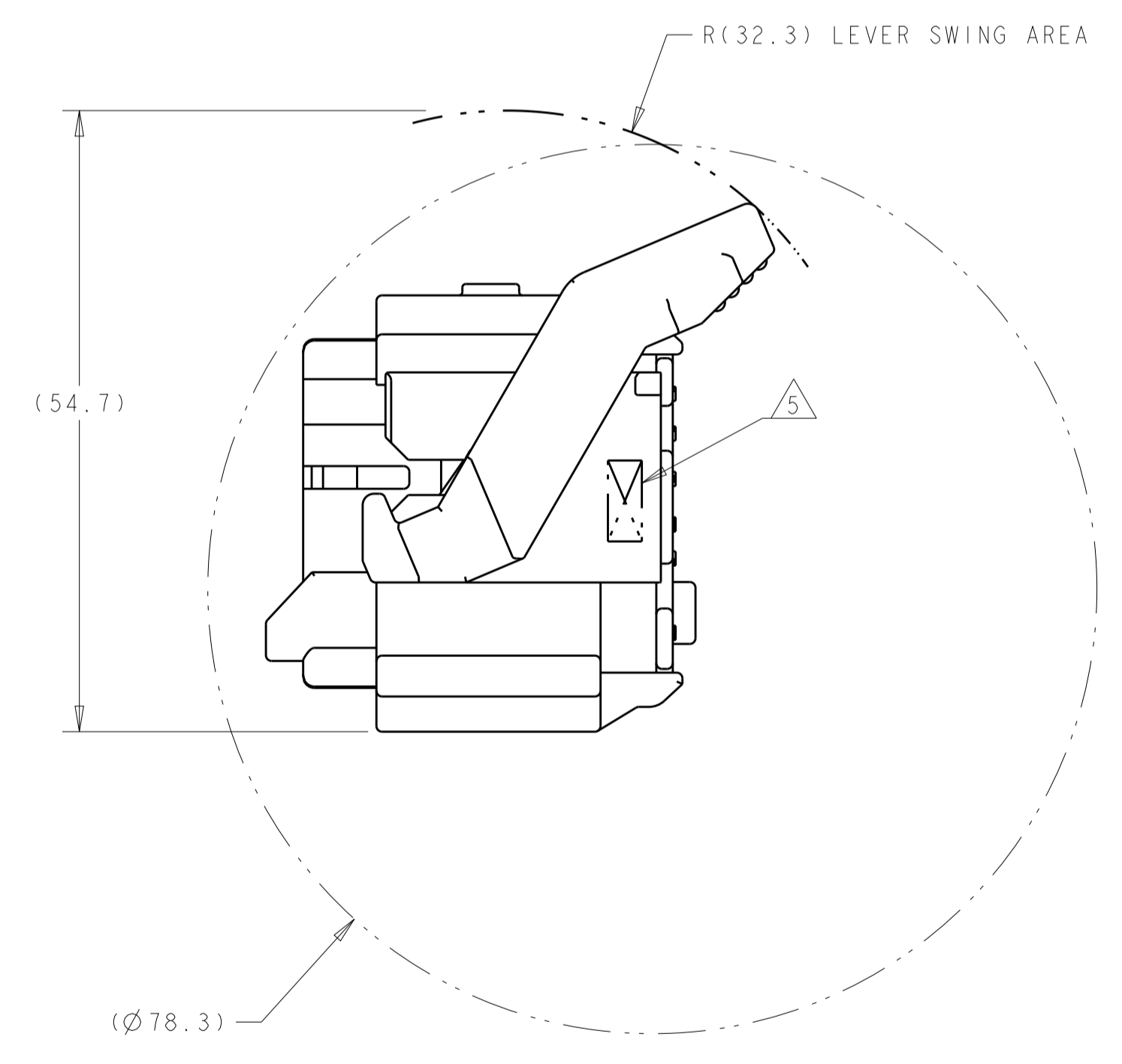
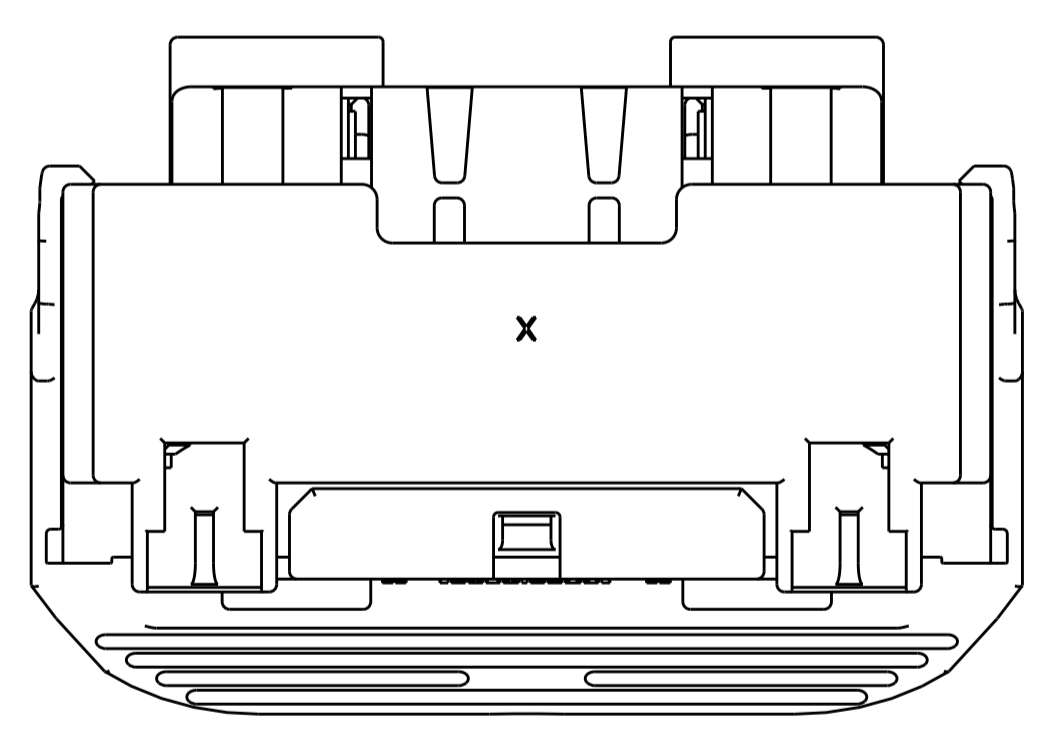
1. PRINT FORD PART NUMBER (SEE ATTACHED CHARTS) AND TRACEABILITY CODE (YY = 2 DIGIT YEAR, JJJ = JULIAN DATE, HH = 2 DIGIT MILITARY HOUR) IN THIS LOCATION AT ASSEMBLY. SEE SHEETS 3, 4 AND 5 (-*) PART NUMBERS.
 2. APPLICABLE MOLEX (1.5) POWER TERMINAL PART NUMBERS:
33012-0002 TIN 0.50-1.50mm²
 3. CAM LEVER AND SPACER ARE SHIPPED IN THEIR PRE-ASSEMBLED POSITIONS.
 4. REFERENCE TE INSTRUCTION SHEET 408-8893.
- △ COMPANY LOGO.
△ OBSOLETE PART.



SECTION A-A
SPACER AND LEVER
IN PRE-SEATED POSITION
(DELIVERY POSITION)



SHOWN WITH CAM
LEVER AND SPACER
IN LOADED POSITION



MIN. FEED THRU CONDITION
WITH 1mm CLEARANCE ALL AROUND
SHOWN WITH SPACER IN SEATED POSITION

APPLICABLE COMPONENTS (FOR REFERENCE ONLY)						
DESCRIPTION	NOMINAL TERMINAL SIZE	COLOR/PLATING	FORD COMPONENT PART NUMBER	SUPPLIER PART NUMBER	MATERIAL/SPECIFICATION NUMBER	SAE WIRE SIZE
TERMINAL - FEMALE (Ag)	0.64 (CAT. 0)	SILVER	7S4T-14474-AA	1393366-2	COPPER ALLOY/SILVER PLATE	20AWG
						18AWG
TERMINAL - FEMALE (Ag)	0.64 (CAT. 0)	SILVER	7S4T-14474-BA	1393367-2	COPPER ALLOY/SILVER PLATE	22AWG
TERMINAL - FEMALE (Sn)	0.64 (CAT. 0)	TIN	1L2T-14474-AA	1393366-1	COPPER ALLOY/TIN PLATE	20AWG
						18AWG
TERMINAL - FEMALE (Sn)	0.64 (CAT. 0)	TIN	1L2T-14474-BA	1393367-1	COPPER ALLOY/TIN PLATE	22AWG
TERMINAL - FEMALE (Au)	0.64 (CAT. 0)	GOLD	1L2T-14474-CA	1393365-1	COPPER ALLOY/GOLD PLATE	20AWG
						18AWG
TERMINAL - FEMALE (Au)	0.64 (CAT. 0)	GOLD	1L2T-14474-DA	1393364-1	COPPER ALLOY/GOLD PLATE	22AWG

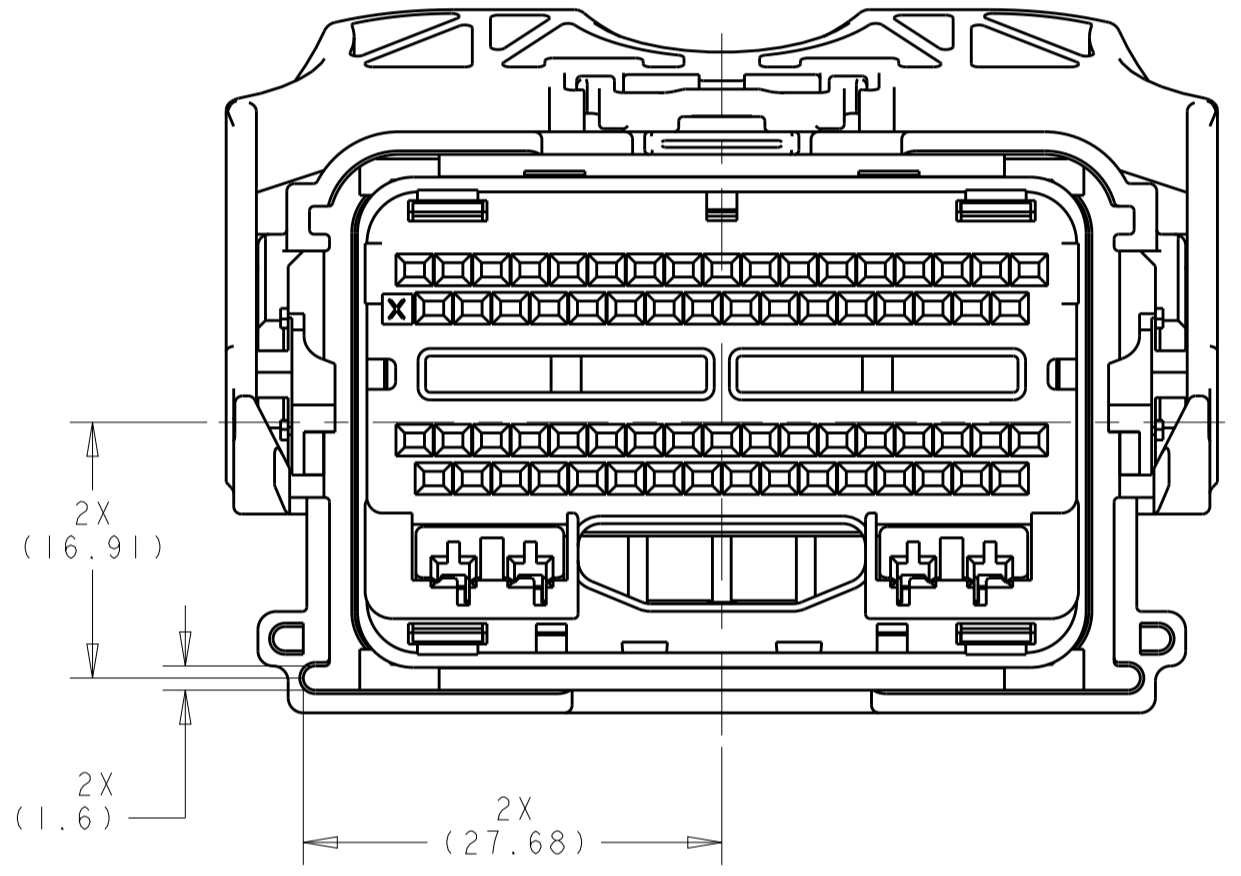
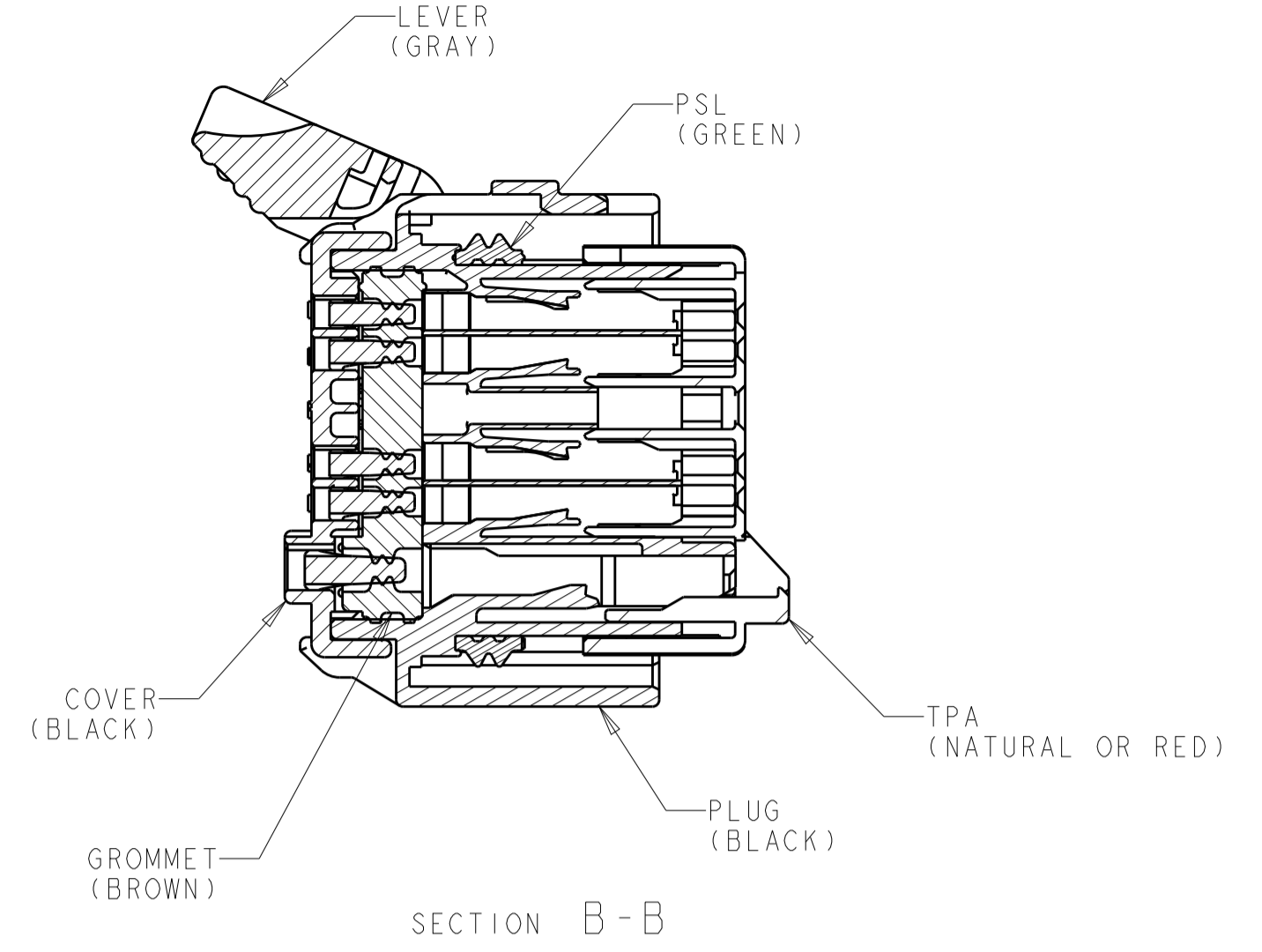
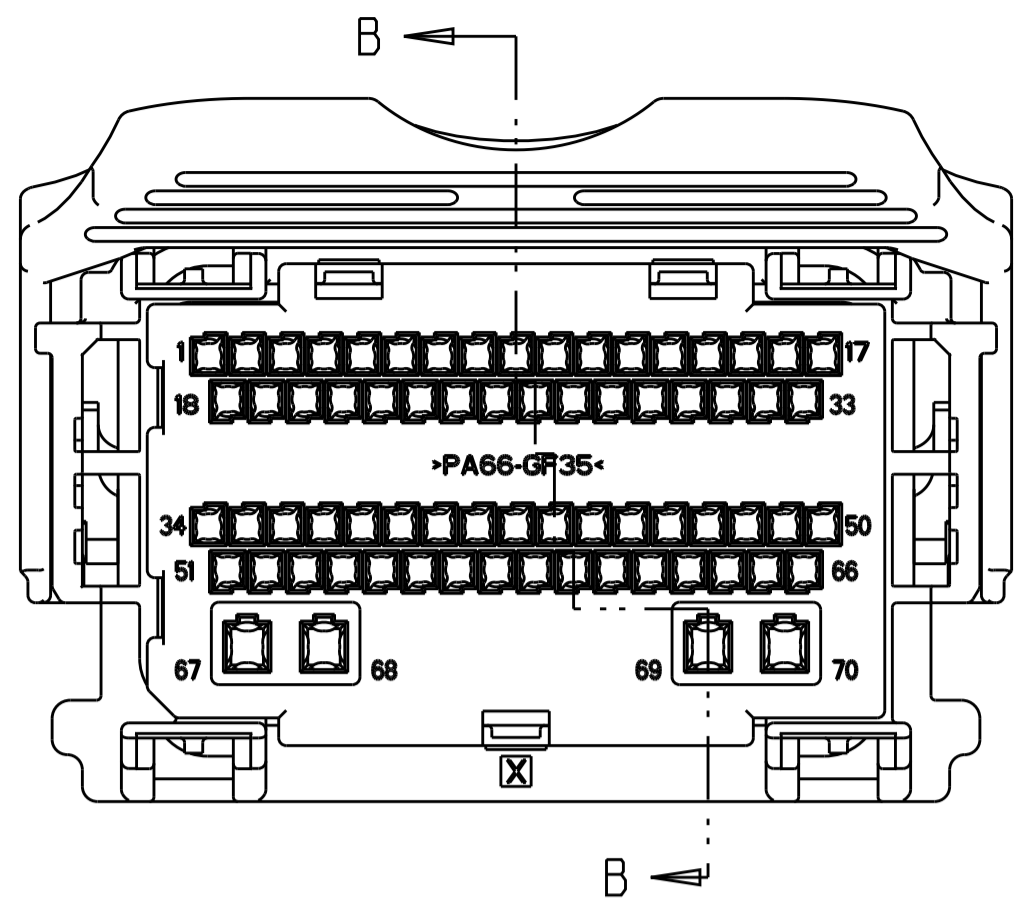
SEE SHEETS 3 THRU 7
PART NUMBER

THIS DRAWING IS A CONTROLLED DOCUMENT.

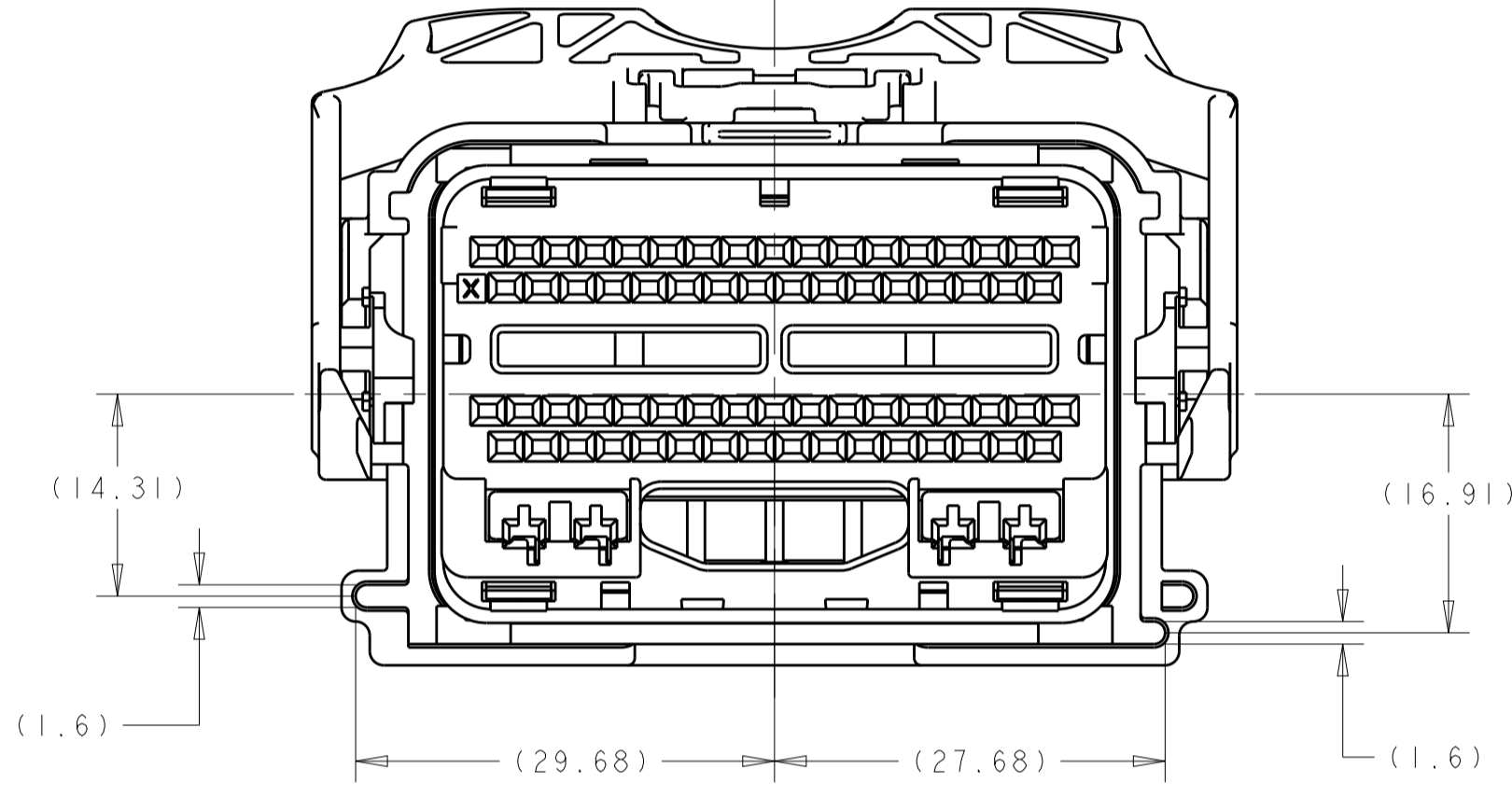
DIMENSIONS:	TOLERANCES UNLESS OTHERWISE SPECIFIED:	DWN. R. VESTAL 15APR2005	CHK. T. VALASEK 15APR2005	APVD. T. VALASEK 15APR2005
mm	0 PLC ±0.3 1 PLC ±0.3 2 PLC ±0.10 3 PLC ±0.10 4 PLC ±0.10 ANGLES ±1°	NAME: T. VALASEK		
MATERIAL:	FINISH:	PRODUCT SPEC:		APPLICATION SPEC:
		SIZE: A	CAGE CODE: 100779	DRAWING NO: 1438136
		WEIGHT:	CUSTOMER DRAWING	RESTRICTED TO:

SCALE: 2:1 SHEET 1 OF 11 REV: G48

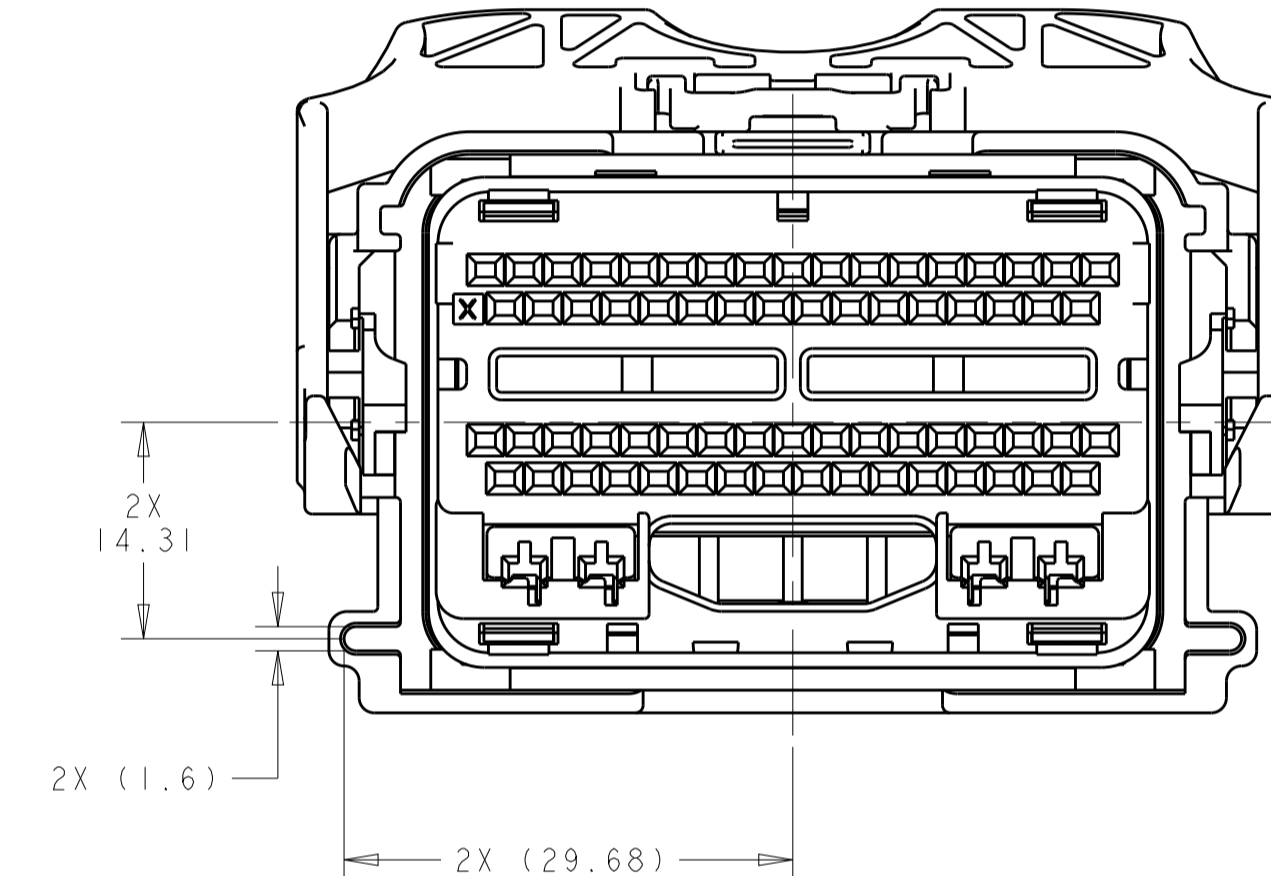
REVISIONS				
P.	LTN	DESCRIPTION	DATE	APP'D
-	-	SEE SHEET 1	-	-



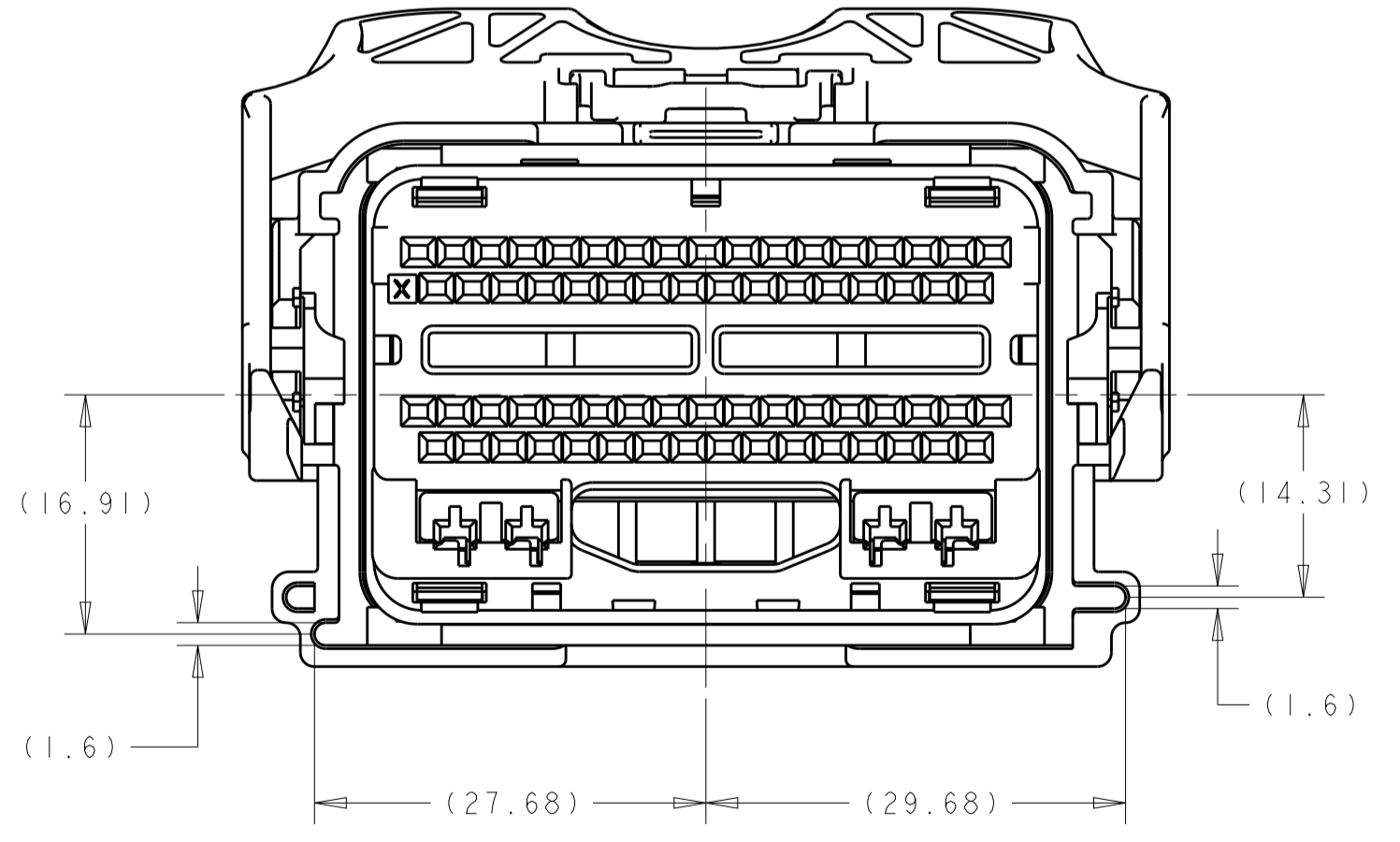
KEYING OPTION "A"



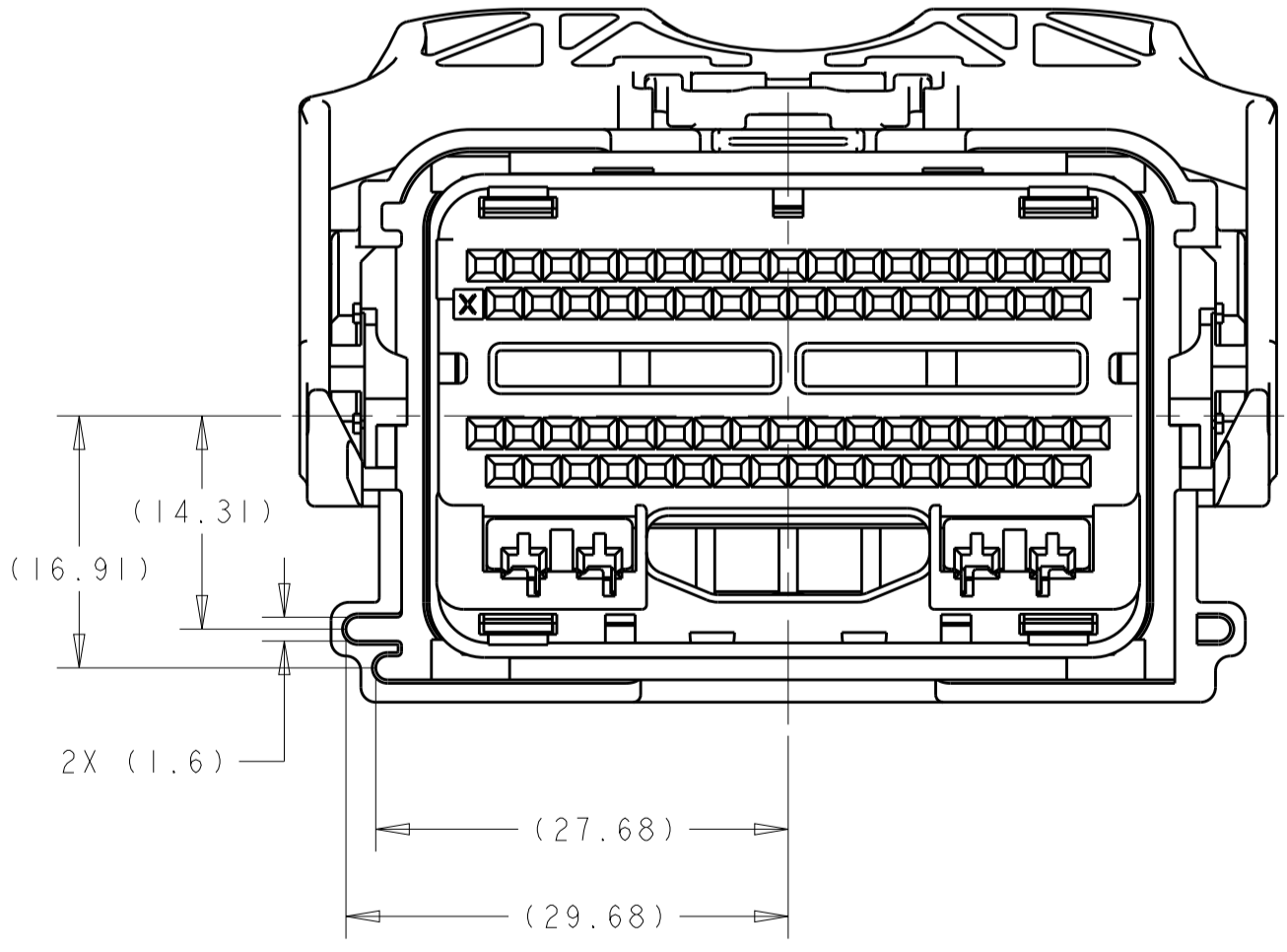
KEYING OPTION "B"



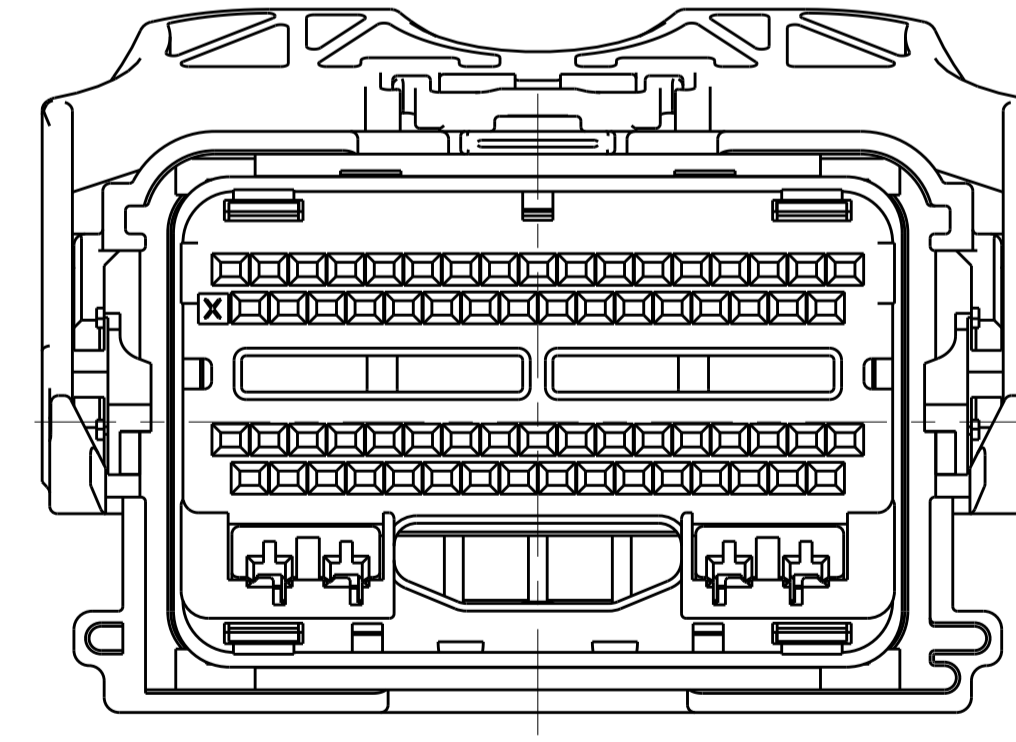
KEYING OPTION "C"



KEYING OPTION "D"



KEYING OPTION "E"



KEYING OPTION "F"

THIS DRAWING IS A CONTROLLED DOCUMENT.		OWN: R. VESTAL 15APR2005	TE Connectivity
DIMENSIONS: mm		CHK: T. VALASEK 15APR2005	
TOLERANCES UNLESS OTHERWISE SPECIFIED: 0 PLC ± 1 PLC ±0.3 2 PLC ±0.10 3 PLC ± 4 PLC ± ANGLES ±1°		APVD: T. VALASEK 15APR2005	NAME: 70-WAY HARNESS ASSEMBLY
MATERIAL: -		PRODUCT SPEC: -	RESTRICTED TO: -
FINISH: -		APPLICATION SPEC: -	SIZE: A100779
CUSTOMER DRAWING		WEIGHT: -	CAGE CODE: 1438136
		SCALE: 2:1	SHEET 2 OF 11
			REV: 648

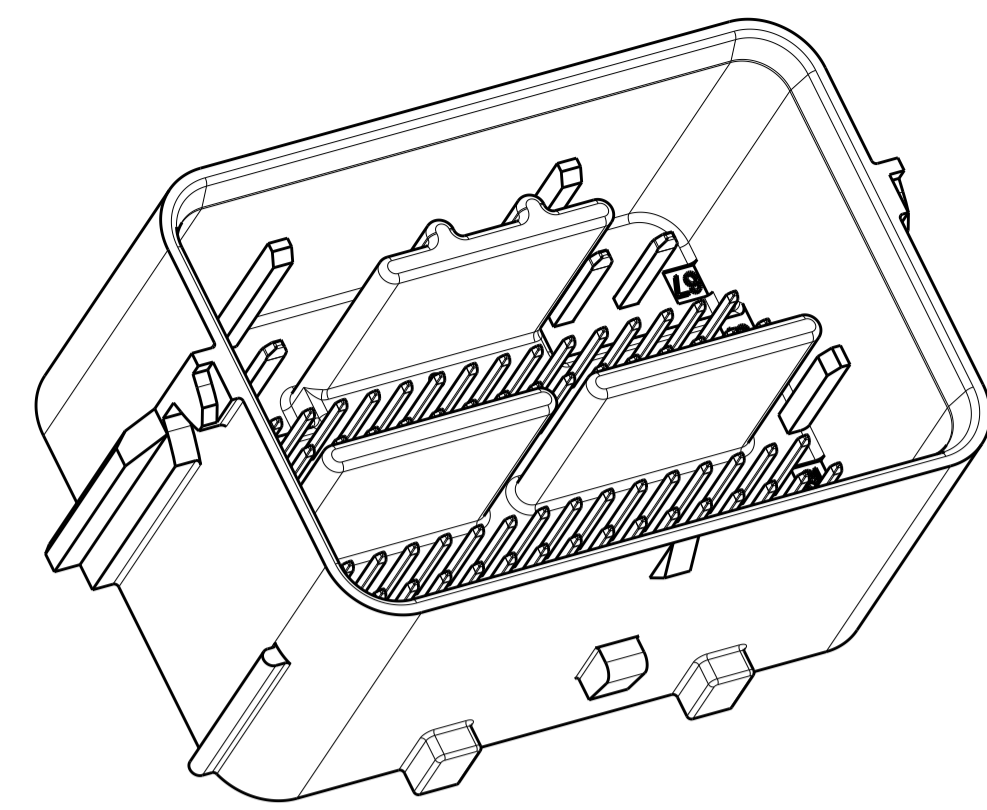
REVISIONS				
P.	LTN	DESCRIPTION	DATE	OWN APVD
-	-	SEE SHEET 1	-	-

		57	55	51	49	43	36	35	33	30	27	25	24	23	22	18	17	15	11	10	9	8	6	3	2	1	3-2035383-0	8U5T-14A464-BA-056					
		56	55	54	52	51	49			39	36	35	34	33	31				12		9			4		1	2-2035383-9	8U5T-14A464-BA-055					
		55	54	51	49														11		9	8	6	4	3	2	1	2-2035383-7	8U5T-14A464-BA-054				
	64 63	55	54	51	49	48				41											9			4			2-2035383-5	8U5T-14A464-BA-053					
		57	56	55	54	51	49			39	36	35	33						12		10	9	8	5	4		1	2-2035383-4	8U5T-14A464-BA-052				
		57	56	55	54	51	49			39	36	35	33						12		11	10	9	8	6	5	4	3	1	1-2035383-9	8U5T-14A464-BA-051		
	64 63	55	54	51	49	48				41														4			1-2035383-8	8U5T-14A464-BA-050					
		57	55	54		49				43	41	39									11	10	9	8	6	5	4	3	2	1	1-2035383-3	8U5T-14A464-BA-049	
		57	55	54	51	49				43	41	39	36	35	33	30					11	10	9	8	6	5	4	3	2	1	1-2035383-2	8U5T-14A464-BA-048	
		57	55	54		49				41	40	39									11	10	9	8	6	5	3	2	1	2035383-9	8U5T-14A464-BA-047		
	64 63	55	54	51	49	48				41														4			2035383-7	8U5T-14A464-BA-046					
		57	56	55	54	51	49			39	36	35	33						12		11	10	9	8	6	5	4	3	1	2035383-1	8U5T-14A464-BA-045		
		55	54		49					39											11	10	9	8	6	5	3	2	1	9-1456659-8	8U5T-14A464-BA-044		
		56	55	54	52	51	49			39	36	35	34	33	31				12		11	10	9	8	6	5	4	3	1	9-1456659-6	8U5T-14A464-BA-043		
		57	55	54	53	51	49			37									12		9	7			3	2	1	9-1456659-3	8U5T-14A464-BA-042				
		57	55	54	53	52	51	49		37									12		9	7			3	1	9-1456659-1	8U5T-14A464-BA-041					
		57	55	54	51	49				43	39	36	35	33	30						11	10	9	8	6	4	3	2	1	8-1456659-9	8U5T-14A464-BA-040		
		57	55	54	51	49				43	39	36	35	33							11	10	9	8	6	4	3	2	1	8-1456659-8	8U5T-14A464-BA-039		
		57	55	54	53	51	49			37	35	34	33	32	30				12		9	8	7		3	2	1	8-1456659-7	8U5T-14A464-BA-038				
		57	55	54	51	49				43	39	36	35	33	30						11	10	9	8	6	4	3	2	1	8-1456659-4	8U5T-14A464-BA-037		
		57	55	54		49				39											11	10	9	8	6	5	3	2	1	8-1456659-3	8U5T-14A464-BA-036		
		57	55	54		49				39											11	10	9	8	6	5	3	2	1	8-1456659-2	8U5T-14A464-BA-035		
		57	55	54		49				41	40	39									11	10	9	8	6	5	3	2	1	8-1456659-1	8U5T-14A464-BA-034		
		56	55	54	51	49				39	36	35	34	33	31				12		9			4			8-1456659-0	8U5T-14A464-BA-033					
		56	55	54	52	51	49			39	36	35	34	33	31				12		9			4			7-1456659-9	8U5T-14A464-BA-032					
		56	55	54	52	51	49			39	36	35	34	33	31				12		11	10	9	8	6	4	3	1	7-1456659-8	8U5T-14A464-BA-031			
		57	56	55	54	51	49			39	36	35	33								11	10	9	8	6	5	4	3		7-1456659-7	8U5T-14A464-BA-030		
		57	55	54	51	49				43	39	36	35	33							11	10	9	8	6	5	4	3	2	1	7-1456659-6	8U5T-14A464-BA-029	
		57	55	54	51	49				43	39	36	35	33	30						11	10	9	8	6	5	4	3	2	1	7-1456659-5	8U5T-14A464-BA-028	
		57	55	54	51	49				43	39	36	35	33							11	10	9	8	6	5	4	3	2	1	7-1456659-4	8U5T-14A464-BA-027	
		57	55	54	53	51	49			37									12		9	7			2	1	7-1456659-2	8U5T-14A464-BA-026					
		57	55	54	53	51	49			37	35	33	32	30					12		9	7	5		1	6-1456659-9	8U5T-14A464-BA-025						
		57	56	54	51	49				39	36	35	33	30							12	11	10	9	8	6	5	4	3	1	6-1456659-8	8U5T-14A464-BA-024	
		57	55	51	49					43	39	36	35	33	30						11	10	9	8	6	5	3	2	1	6-1456659-7	8U5T-14A464-BA-023		
		57	56	55	54	51	49			39	36	35	33						12		11	10	9	8	6	5	3	1	6-1456659-6	8U5T-14A464-BA-022			
		57	55	54	51	49				43	39	36	35	33							11	10	9	8	6	5	3	2	1	6-1456659-5	8U5T-14A464-BA-021		
		56	55	54	51	49				39	36	35	34	33	31				12		9			1	6-1456659-3	8U5T-14A464-BA-020							
		57	55	54	53	52	51	49		37									12		9	7			1	6-1456659-2	8U5T-14A464-BA-019						
		56	55	54	52	51	49			39	36	35	34	33	31				12		9			1	6-1456659-1	8U5T-14A464-BA-018							
		56	55	54	51	49				39	36	35	34	33	31				12		9			1	6-1456659-0	8U5T-14A464-BA-017							
		57	55	54	51	49				43	39	36	35	33	30						11	10	9	8	6	5	3	2	1	5-1456659-2	8U5T-14A464-BA-016		
		57	55	54	51	49				43	39	36	35	33							11	10	9	8	6	5	3	2	1	5-1456659-1	8U5T-14A464-BA-015		
		57	55	54	53	52	51	49		37									12		9	7	5		1	4-1456659-1	8U5T-14A464-BA-014						
		57	56	54	52	51	49			39	36	35	33	31	30						12	11	10	9	8	6	4	3	2	1	2-1456659-9	8U5T-14A464-BA-013	
		57	56	54	51	49				39	36	35	33	30							12	11	10	9	8	6	4	3	1	2-1456659-7	8U5T-14A464-BA-012		
		57	55	54	53	51	49			37									12		9	7	5		1	2-1456659-6	8U5T-14A464-BA-011						
		57	55	54	51	49				43	39	36	35	33	30						11	9	8	6	5	3	2	1	2-1456659-5	8U5T-14A464-BA-010			
		57	55	54	53	51	49			37	36	35	33	32	30				12		18	17	16	15	12	9	8	7	3	2	1	1-1456659-2	8U5T-14A464-BA-009
		57	56	55	54	51	49			39	36	35	33								11	10	9	8	6	5	3	1456659-8	8U5T-14A464-BA-008				
		57	56	55	54	51	49			39	36	35	33	30							11	10	9	8	6	5	3	1456659-1	8U5T-14A464-BA-007				
		59	57	56	55	54	51	49			43	39	36	35	33						18	17		10	9	8	6	5	3	9-1438136-9	8U5T-14A464-BA-006		
		57	56	54	51	49				39	36	35	33	30							12	11	10	9	8	7	6	4	3	1	9-1438136-8	8U5T-14A464-BA-005	
		57	56	54	52	51	49			39	36	35	33	31	30						12	11	10	9	8	7	6	4	3	2	1	9-1438136-7	8U5T-14A464-BA-004
		57	56	54	51	49				39	36	35	33	30							12	11	10	9	8	7	6	5	3	1	9-1438136-6	8U5T-14A464-BA-003	
		57	56	54	52	51	49			39	36	35	33	31	30						12	11	10	9	8	7	6	5	3	2	1	8-1438136-9	8U5T-14A464-BA-002
		57	56	54	53	51	49			39	37	36	35	34	33	30					12	11	10	9	8	7	6	4	3	1	8-1438136-4	8U5T-14A464-BA-001	
																															1438136-4	8U5T-14A464-BA-000	

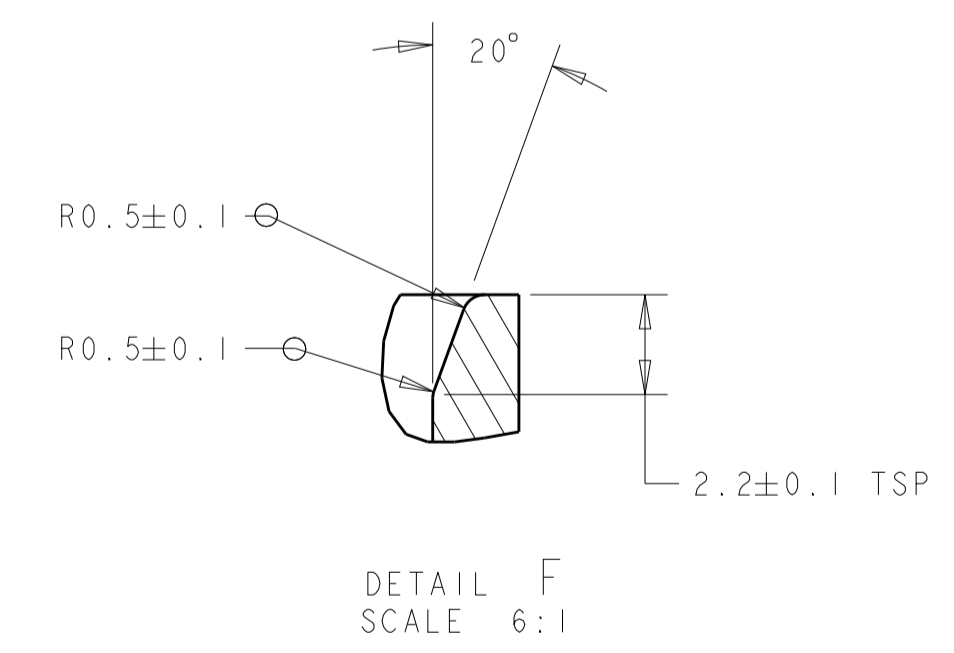
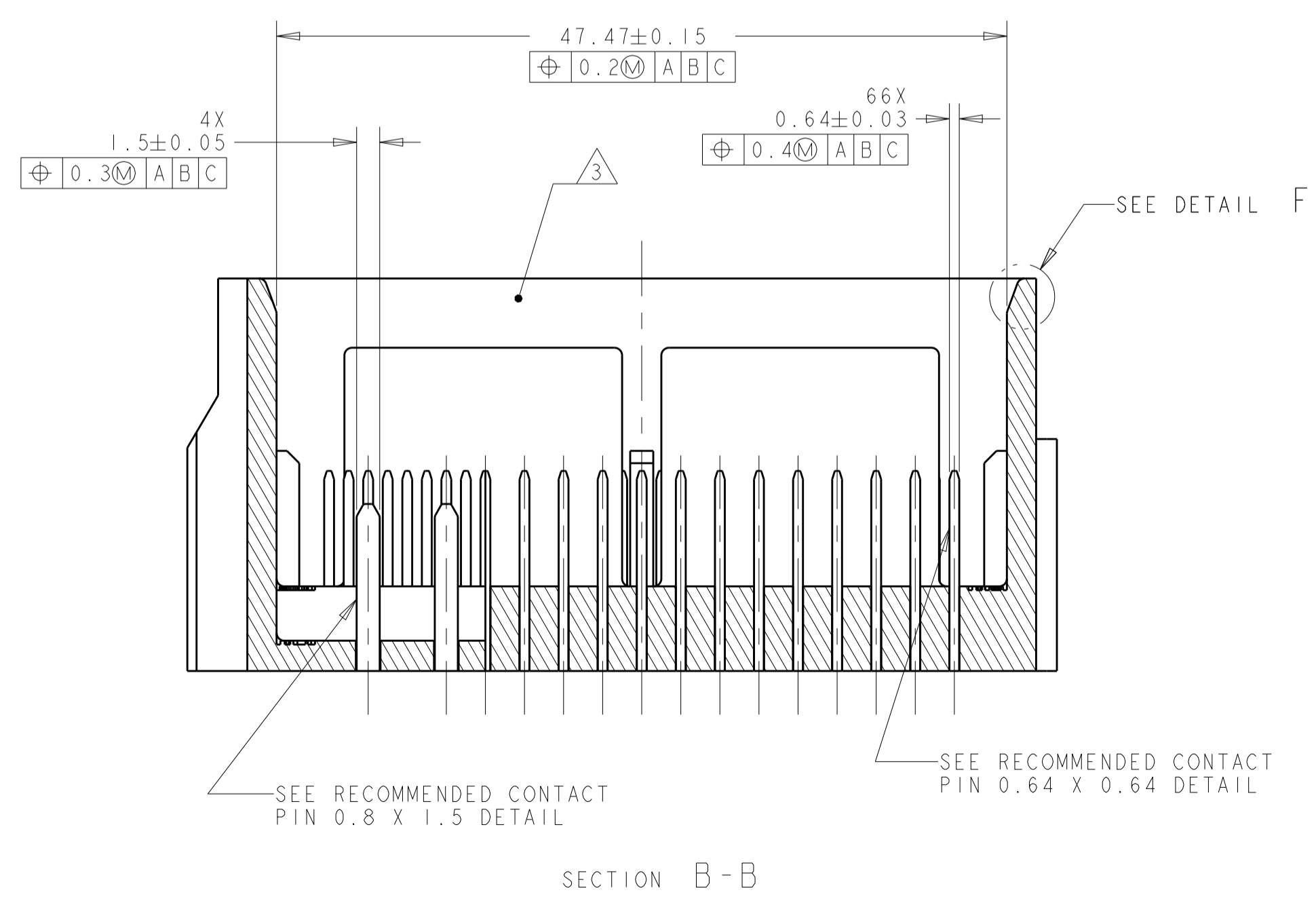
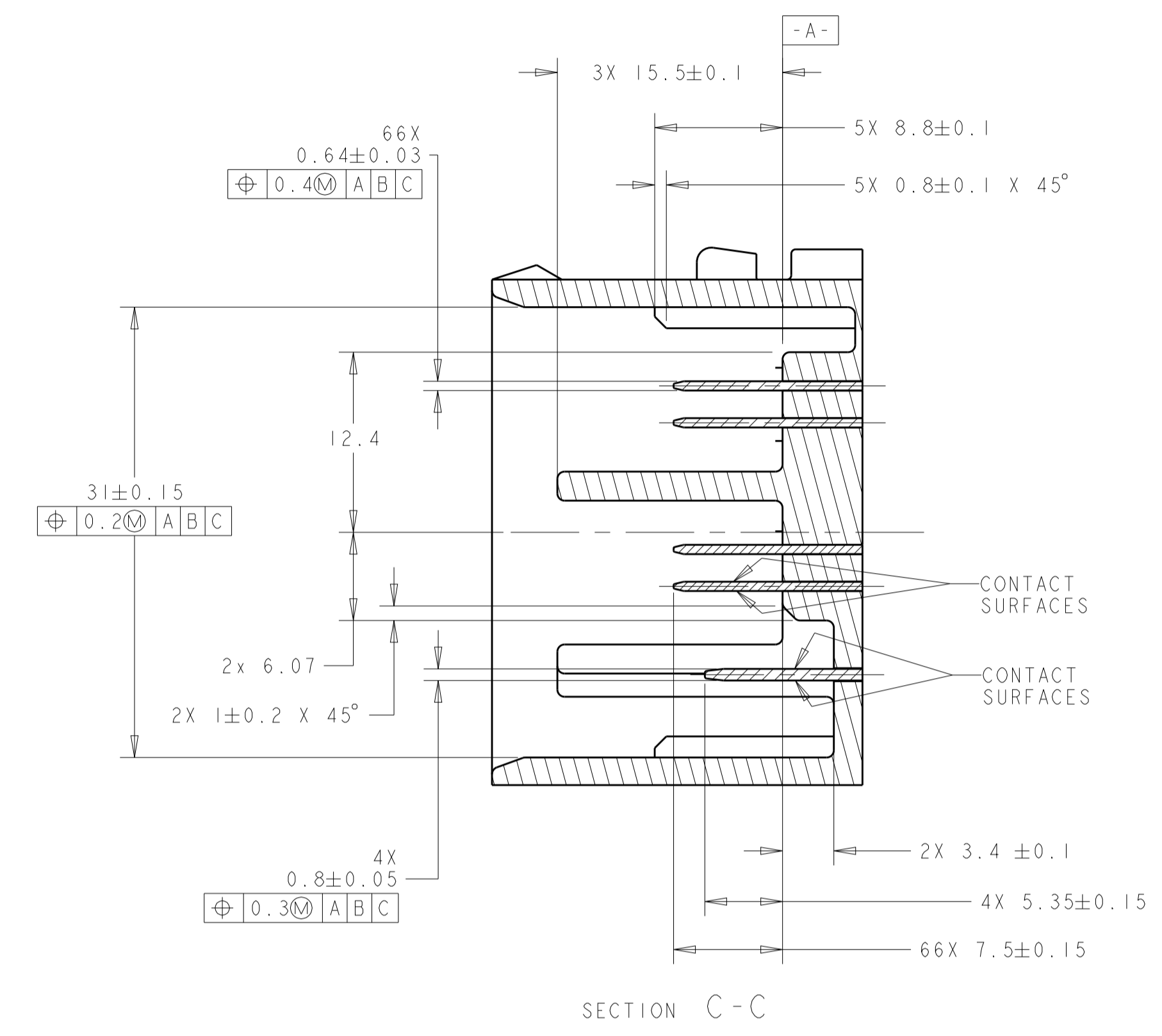
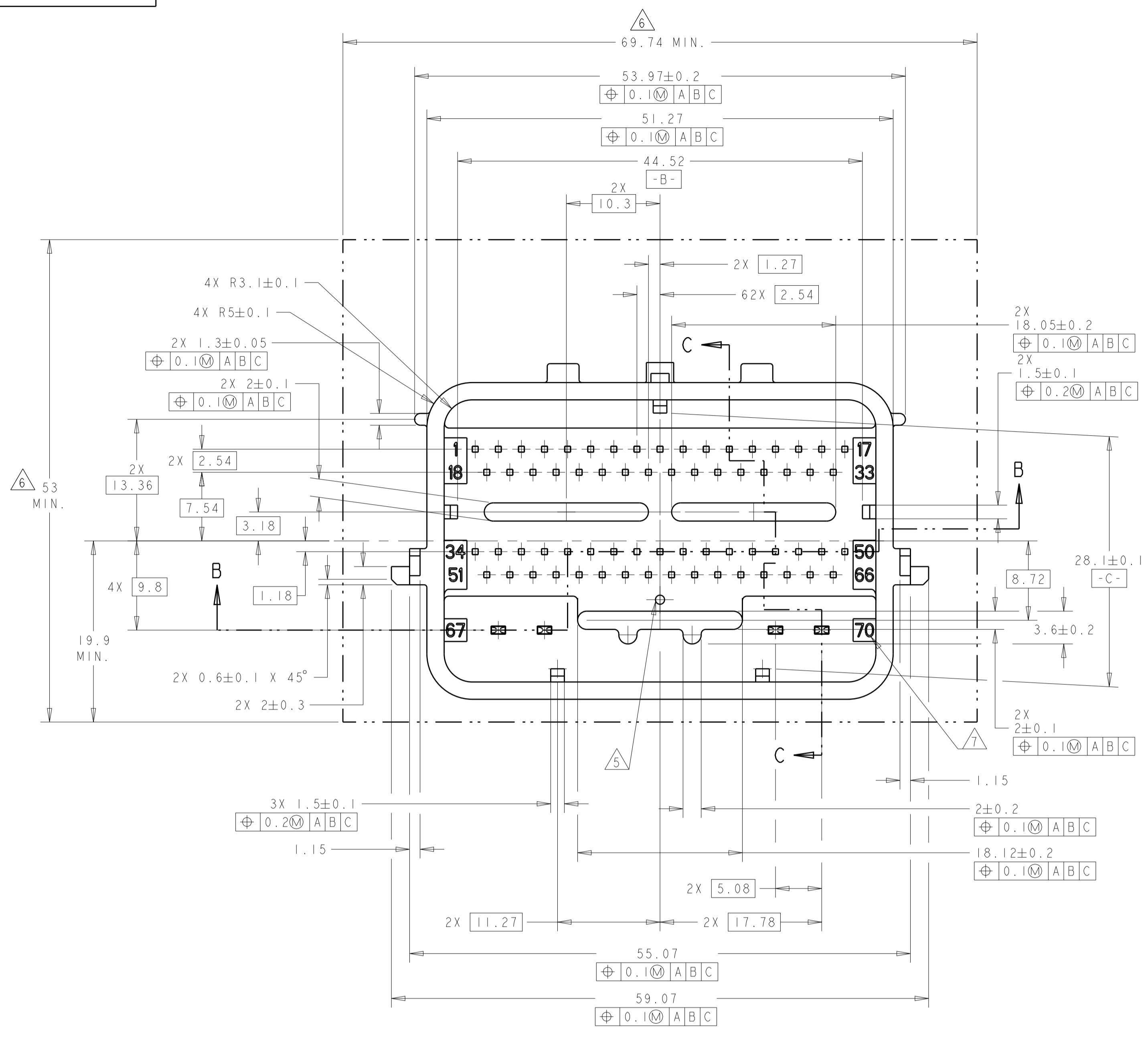
KEYING OPTION D

CAVITIES WITH A NUMERIC SYMBOL INDICATES CLOSED TERMINAL LOCATIONS
 BLANK CAV

REVISIONS				
P.	LTN.	DESCRIPTION	DATE	APPV.
-	-	SEE SHEET 1	-	-



SCALE 2:1

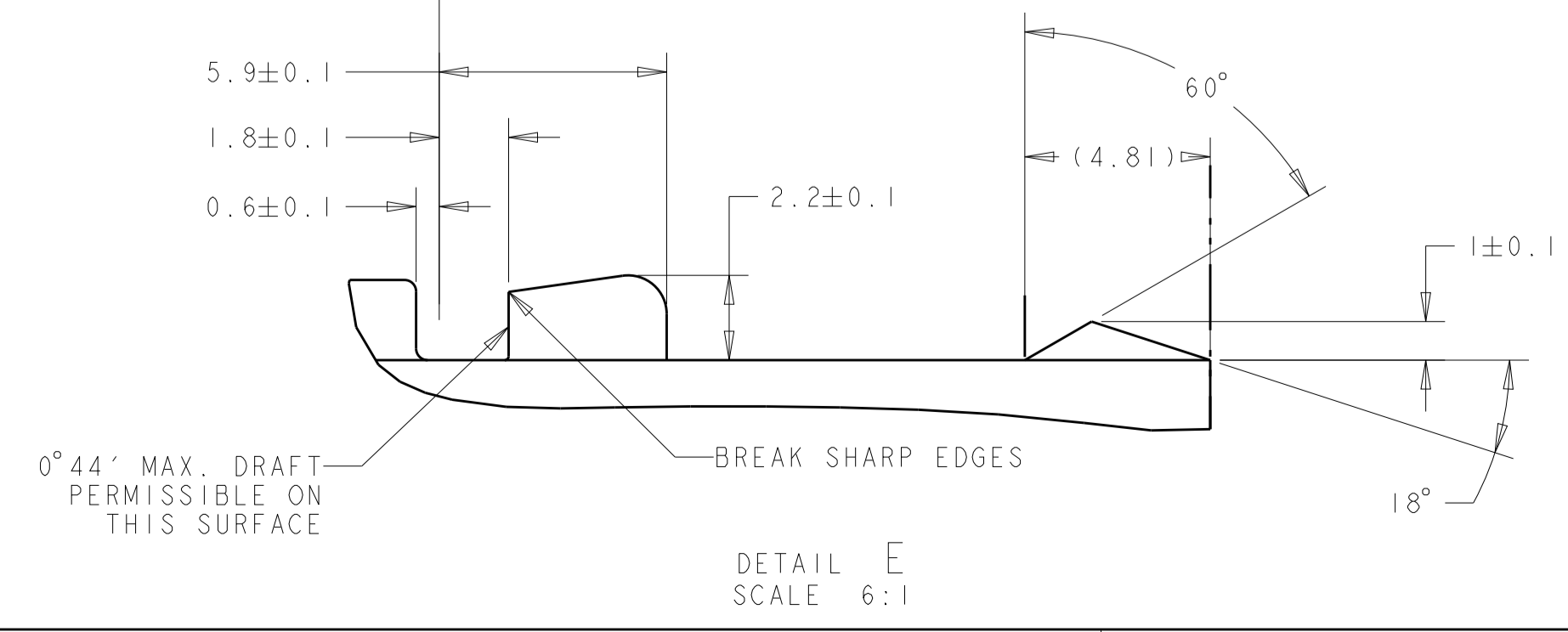
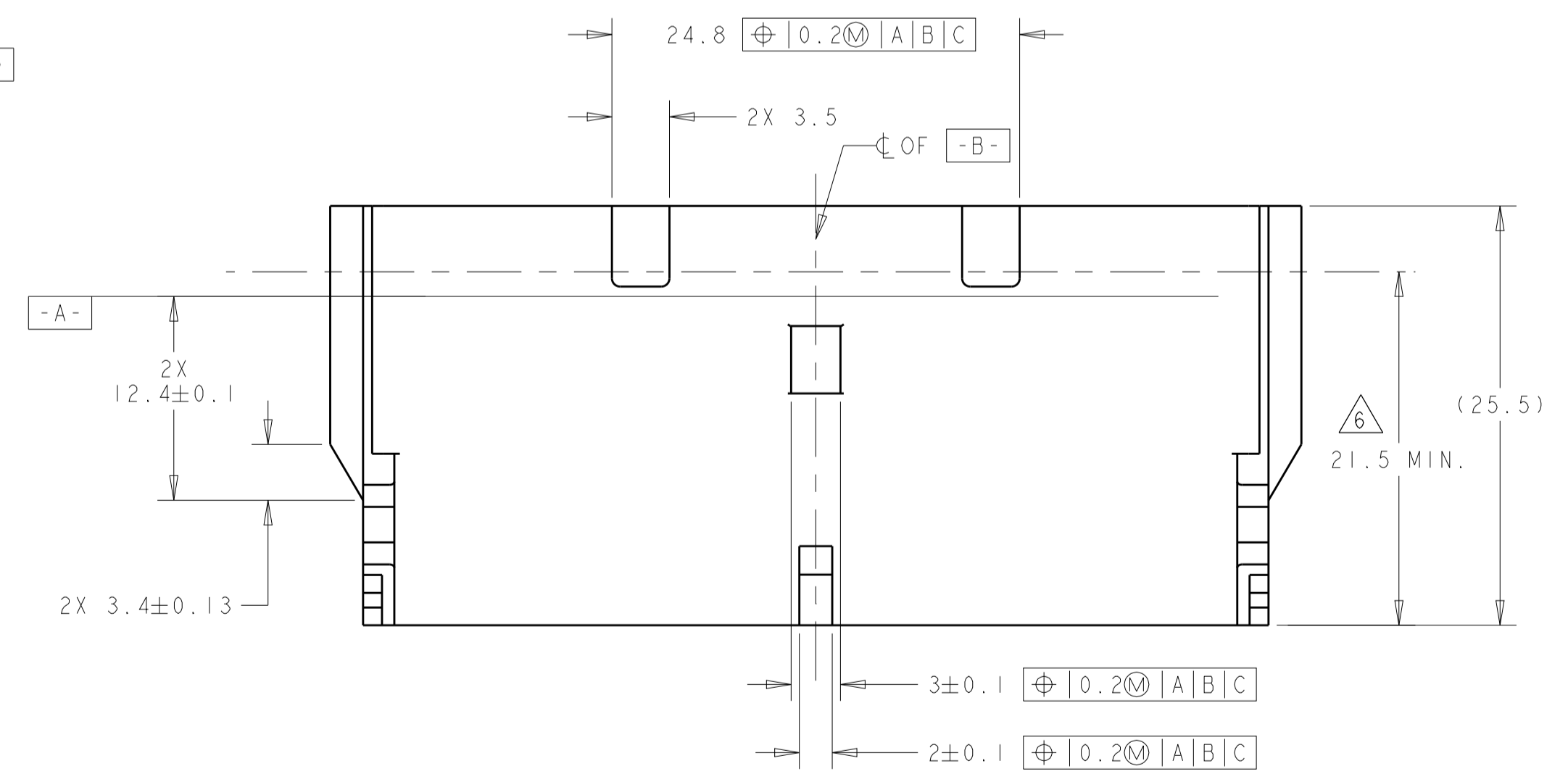
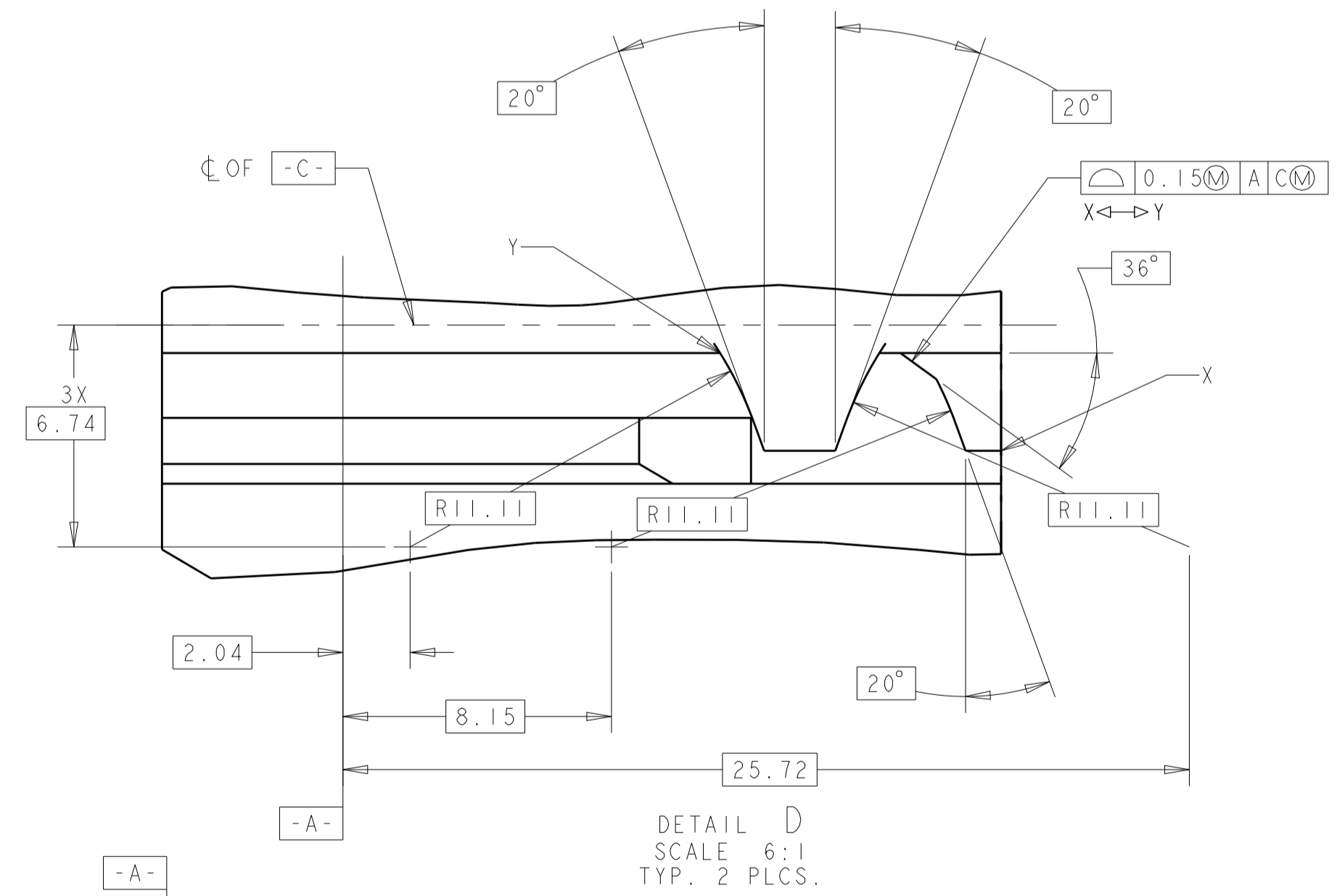
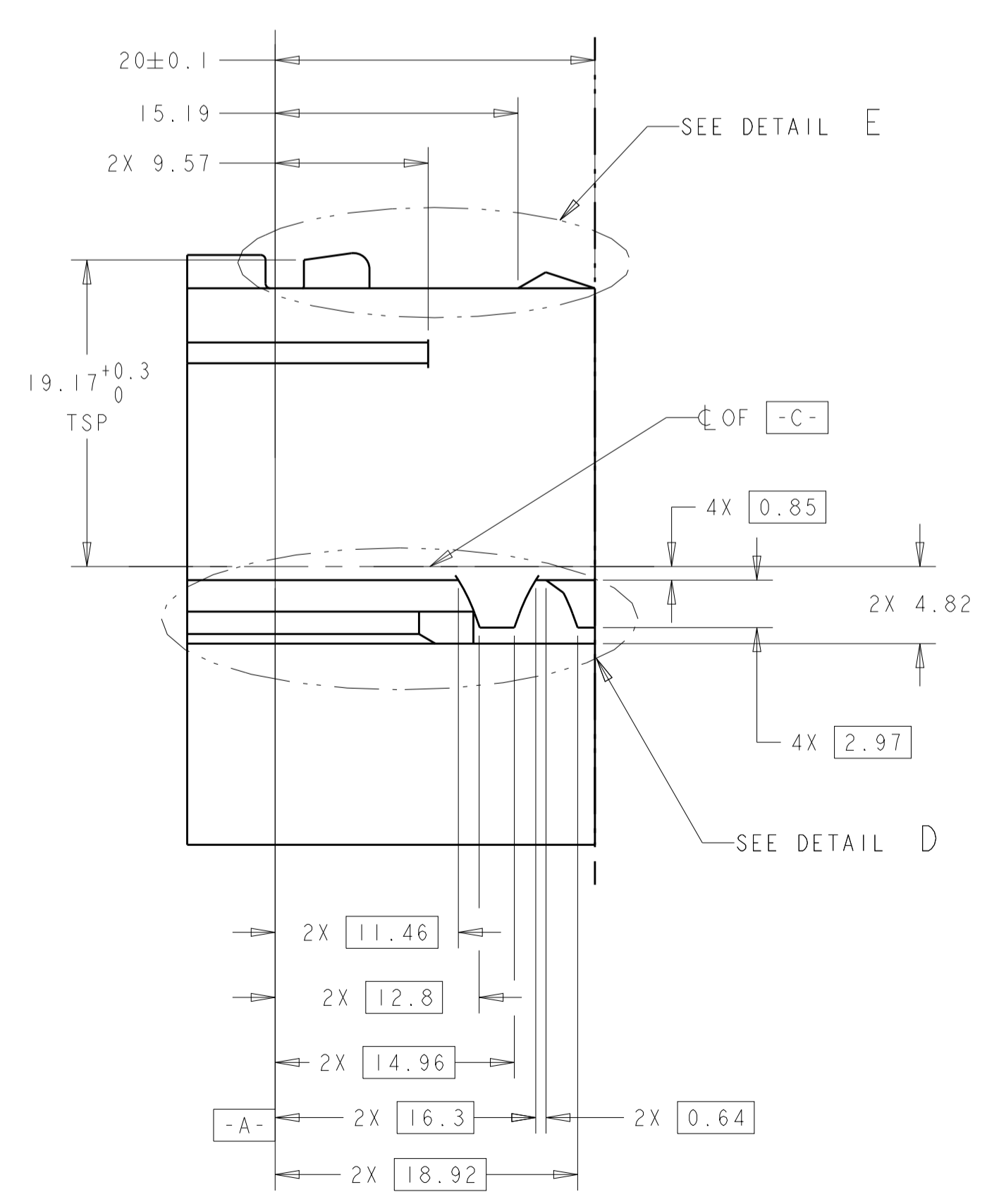
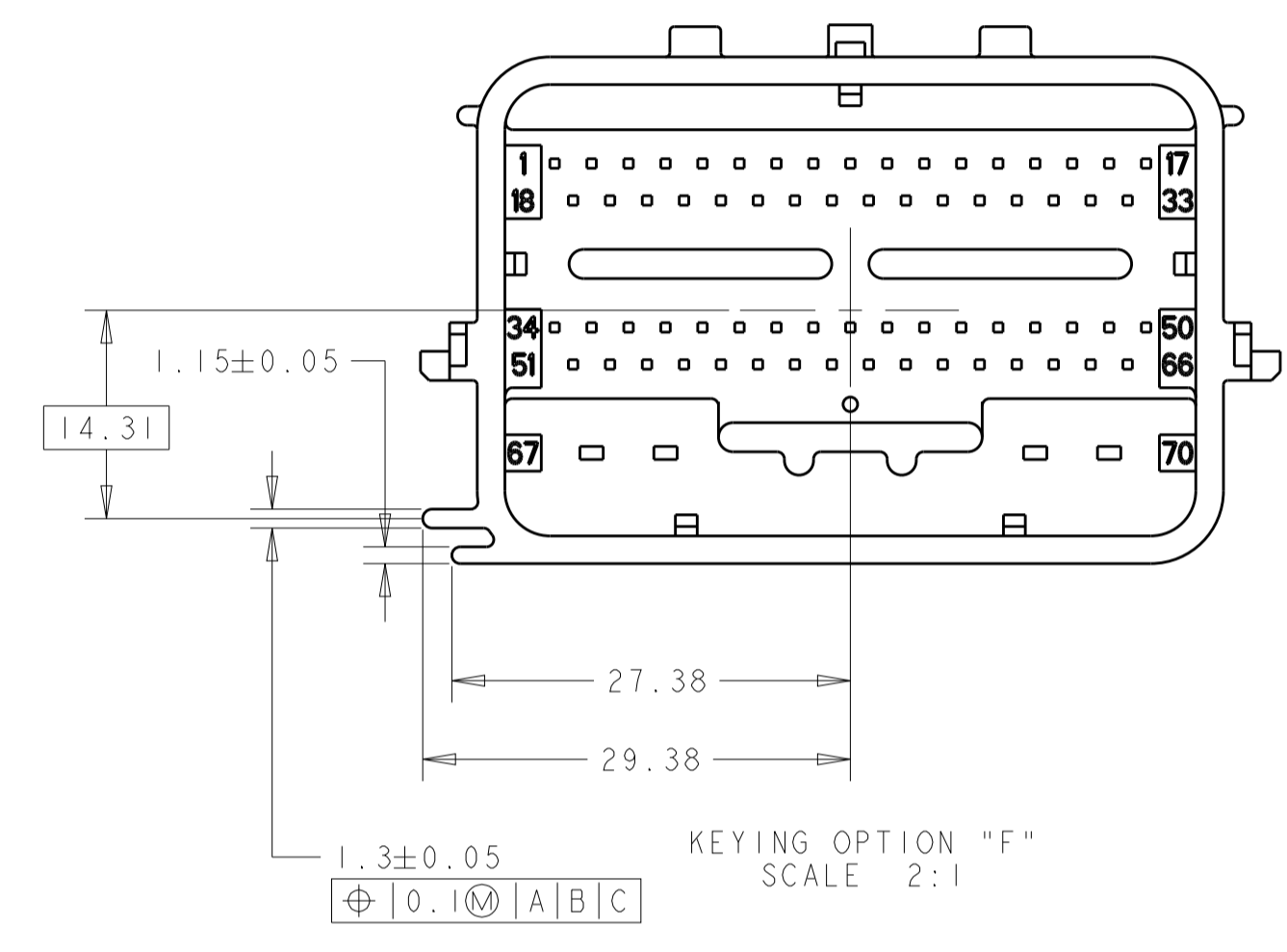
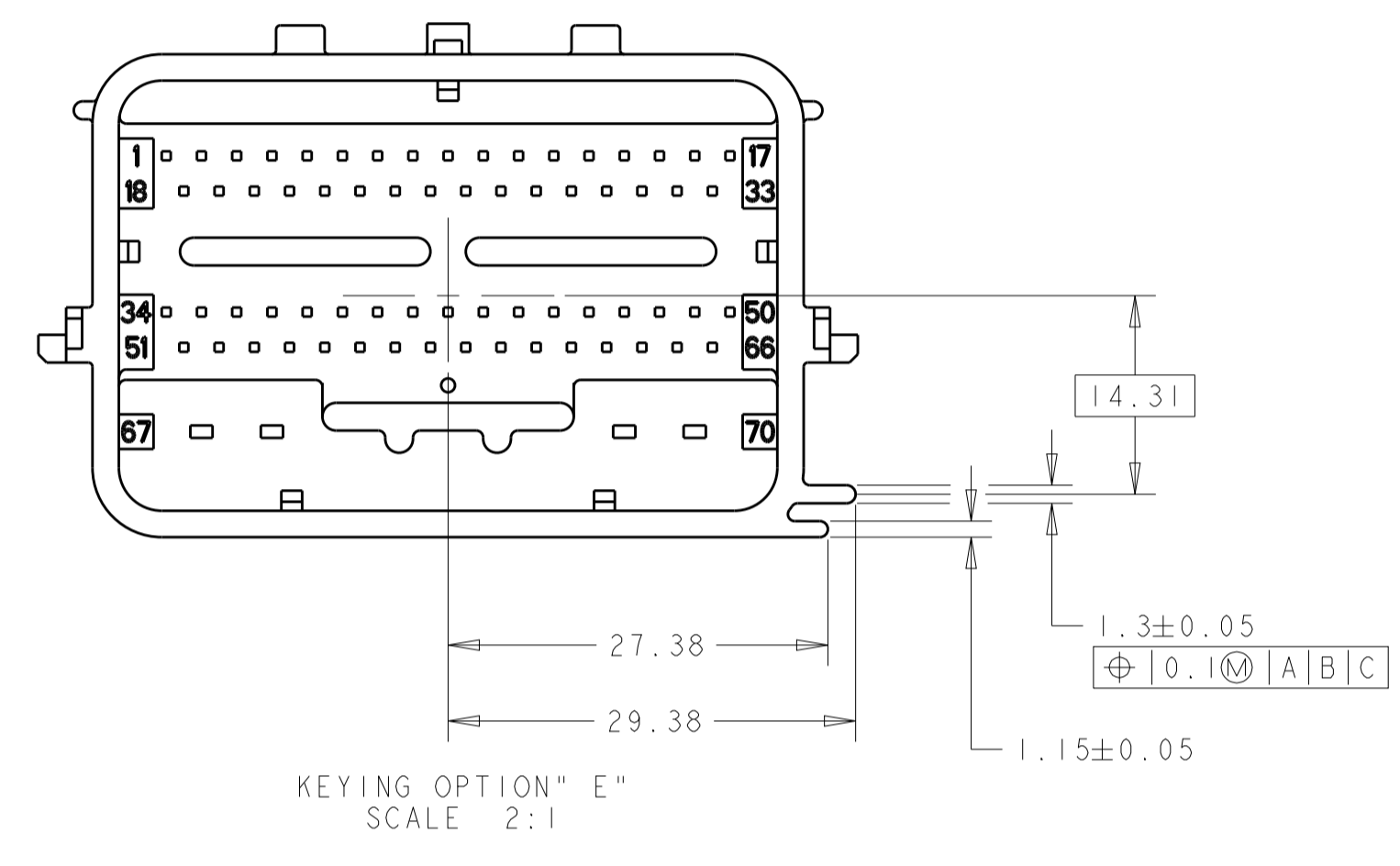
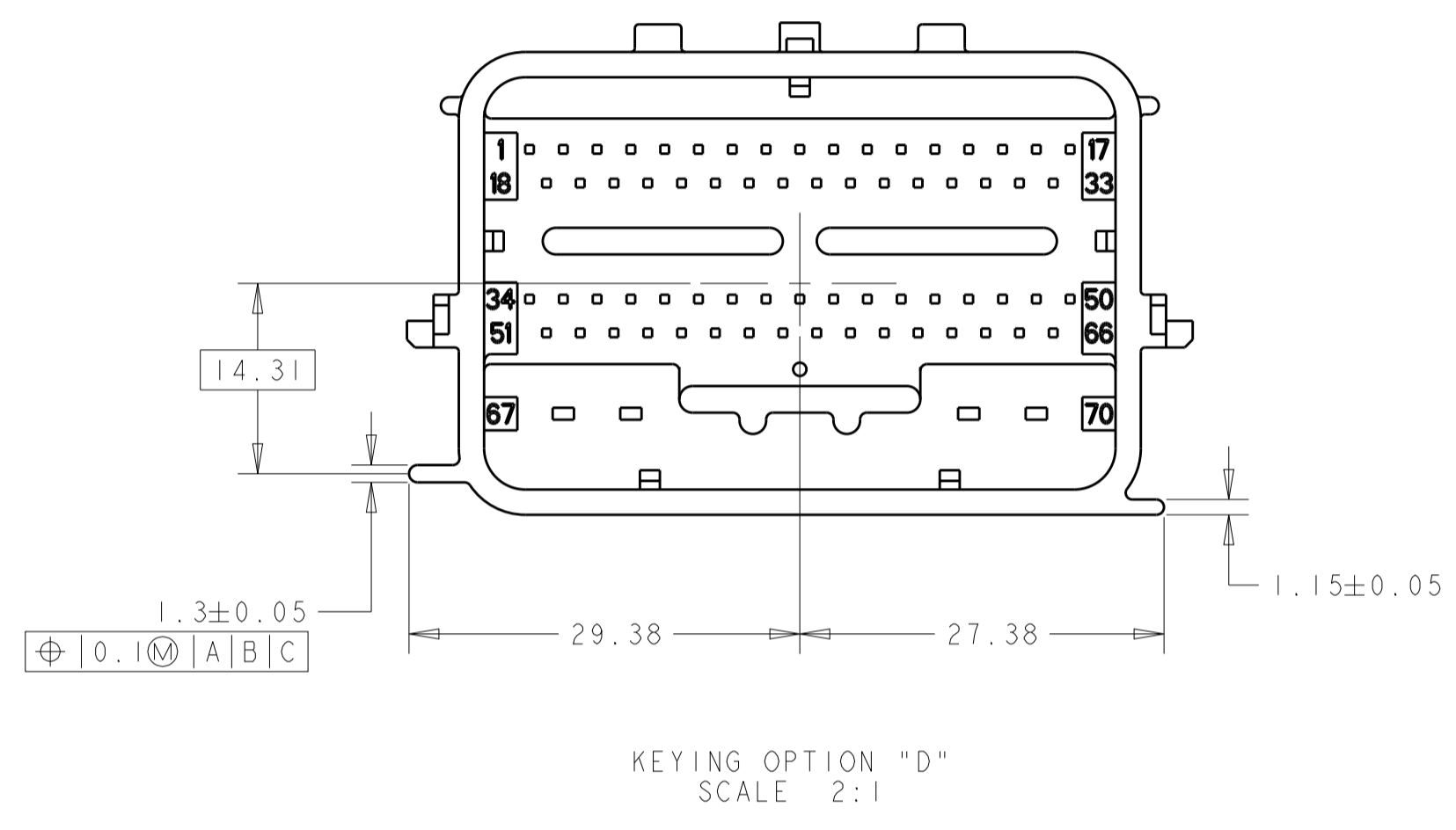
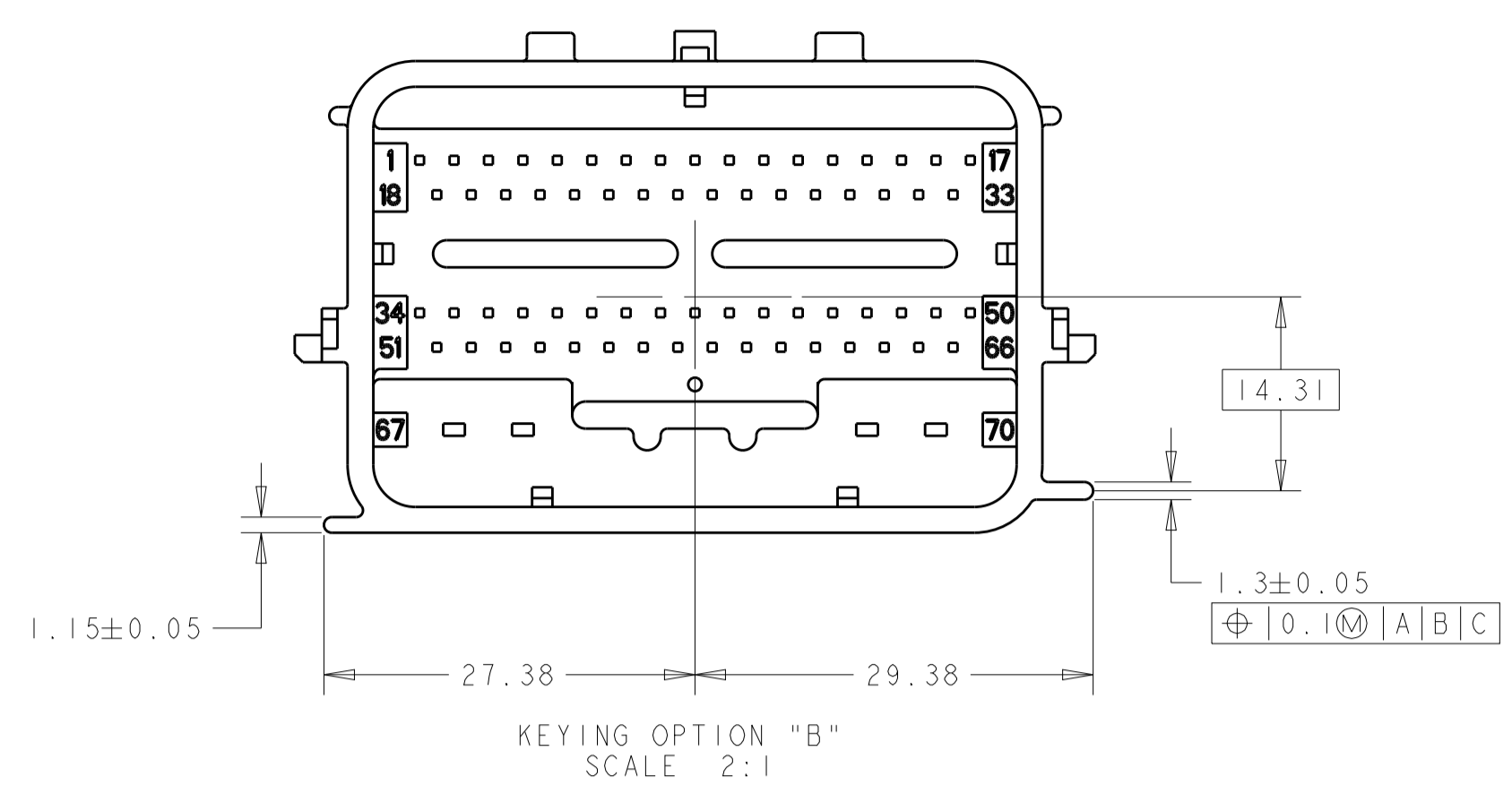
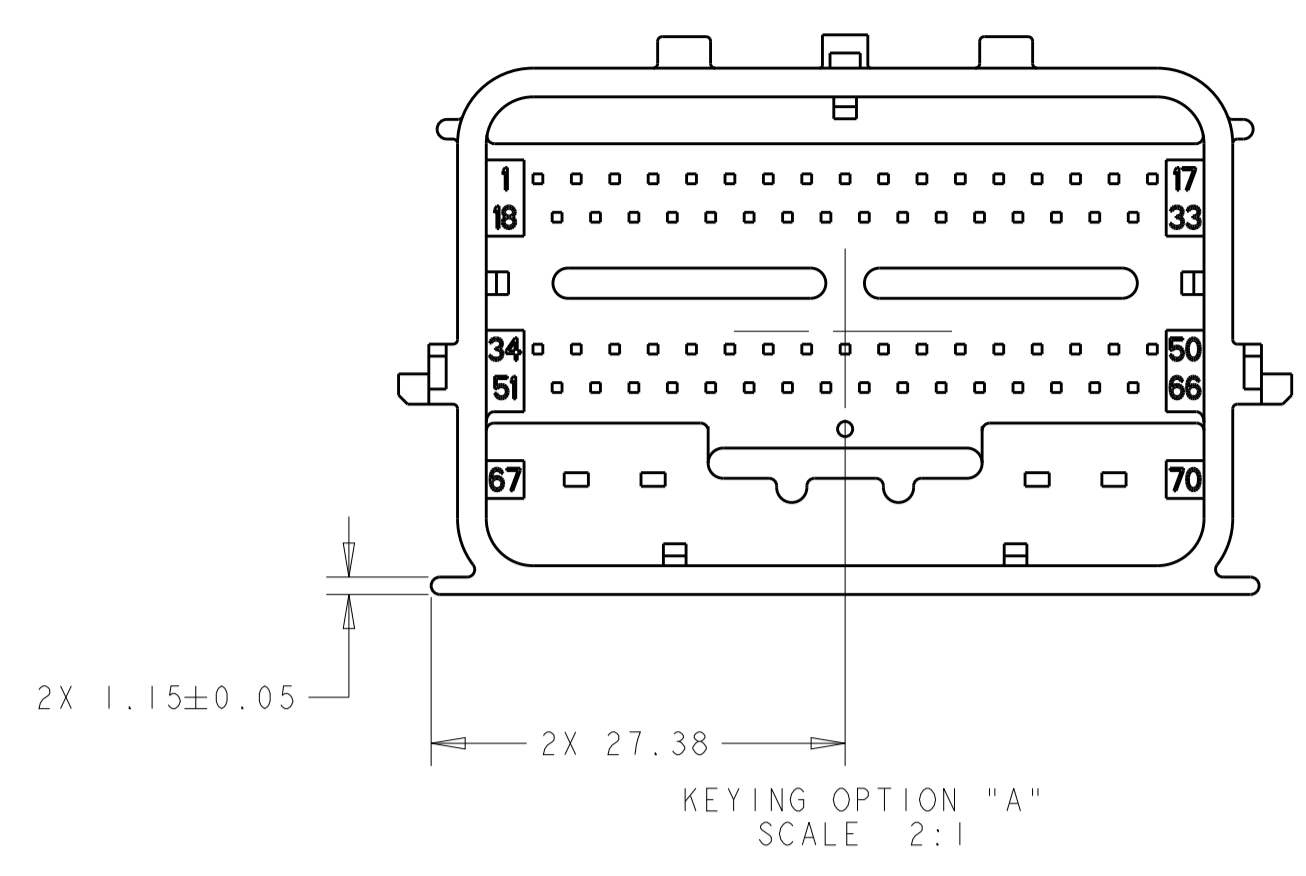


- NOTES: UNLESS OTHERWISE SPECIFIED
- GENERAL TOLERANCE:
 ±0.3 ALL ONE PLACE DIMENSIONS
 ±0.10 ALL TWO PLACE DIMENSIONS
 ±1°00' ALL ANGULAR DIMENSIONS
 - DRAFT ANGLE PERMISSIBLE ONLY WITHIN DRAWING TOLERANCE.
 - SEALING SURFACE, NO WITNESS LINES OF DAMAGE PERMITTED.
 - ALL UNMARKED RADIUS TO BE 0.5 MAX., UNLESS OTHERWISE SPECIFIED
 - VENT HOLE SIZE AND LOCATION IS OPTIONAL.
 - THIS AREA TO REMAIN CLEAR FOR THE HARNESS ASSEMBLY.
 - TERMINAL POSITION IDENTIFICATION.
 - MATES WITH TYCO ELECTRONICS PART# 1438136-*

THIS DRAWING IS A CONTROLLED DOCUMENT.		OWN: R. VESTAL 15APR2005	TE Connectivity										
DIMENSIONS: mm		CHK: T. VALASEK 15APR2005											
TOLERANCES UNLESS OTHERWISE SPECIFIED:		APVD: T. VALASEK 15APR2005	NAME: 70-WAY HARNESS ASSEMBLY										
<table border="1"> <tr><td>0 PLC</td><td>±</td></tr> <tr><td>1 PLC</td><td>±0.3</td></tr> <tr><td>2 PLC</td><td>±0.10</td></tr> <tr><td>3 PLC</td><td>±</td></tr> <tr><td>4 PLC</td><td>±</td></tr> </table>		0 PLC	±	1 PLC	±0.3	2 PLC	±0.10	3 PLC	±	4 PLC	±	PRODUCT SPEC	SIZE: CAGE CODE DRAWING NO
0 PLC	±												
1 PLC	±0.3												
2 PLC	±0.10												
3 PLC	±												
4 PLC	±												
MATERIAL		APPLICATION SPEC	RESTRICTED TO										
FINISH		WEIGHT	A100779C=1438136										
CUSTOMER DRAWING		SCALE 2:1	SHEET 10 OF 11 REV 648										

HEADER INTERFACE KEYING OPTIONS

REVISIONS				
P.	LTN.	DESCRIPTION	DATE	OWN. APVD.
-	-	SEE SHEET 1	-	-



THIS DRAWING IS A CONTROLLED DOCUMENT.		OWN. R. VESTAL 15APR2005	TE Connectivity
DIMENSIONS: mm		CHK. T. VALASEK 15APR2005	
TOLERANCES UNLESS OTHERWISE SPECIFIED:		APVD. T. VALASEK 15APR2005	NAME
0 PLC ±0.3	1 PLC ±0.3	2 PLC ±0.10	3 PLC ±0.10
4 PLC ±0.15	ANGLES ±0.1°	PRODUCT SPEC	
MATERIAL		APPLICATION SPEC	
FINISH		WEIGHT	
CUSTOMER DRAWING		SCALE 2:1 SHEET 11 OF 11 REV 648	

X-ON Electronics

Largest Supplier of Electrical and Electronic Components

Click to view similar products for [Automotive Connectors](#) category:

Click to view products by [TE Connectivity](#) manufacturer:

Other Similar products are found below :

[003-018-000](#) [60403001](#) [60993906-B](#) [M902-2131](#) [M902-2161](#) [72.330.1035.1](#) [73.353.4028.0](#) [F119300-B](#) [F166900](#) [F258300-B](#) [F358300-B](#)
[F407400](#) [F444110](#) [F487000](#) [F509500B-B](#) [827153-1](#) [8N1515-32-24P](#) [9-1326729-8](#) [925474-1](#) [928905-1](#) [964562-4](#) [968782-1](#) [GT17SA-8DS-](#)
[HU](#) [98891-1012](#) [98947-1016](#) [12004147](#) [12004475-L](#) [12010290](#) [12010309-B](#) [12015454](#) [12020219-B](#) [12020308](#) [12041318-B](#) [12052225-L](#)
[12052466](#) [12059125](#) [12064869](#) [12004327-B](#) [12010503-B](#) [12015308](#) [12015384](#) [12015909](#) [1-21030-1](#) [12041254](#) [12041318](#) [12047946-B](#)
[12047957](#) [12047957-L](#) [12059473](#) [12066261](#)