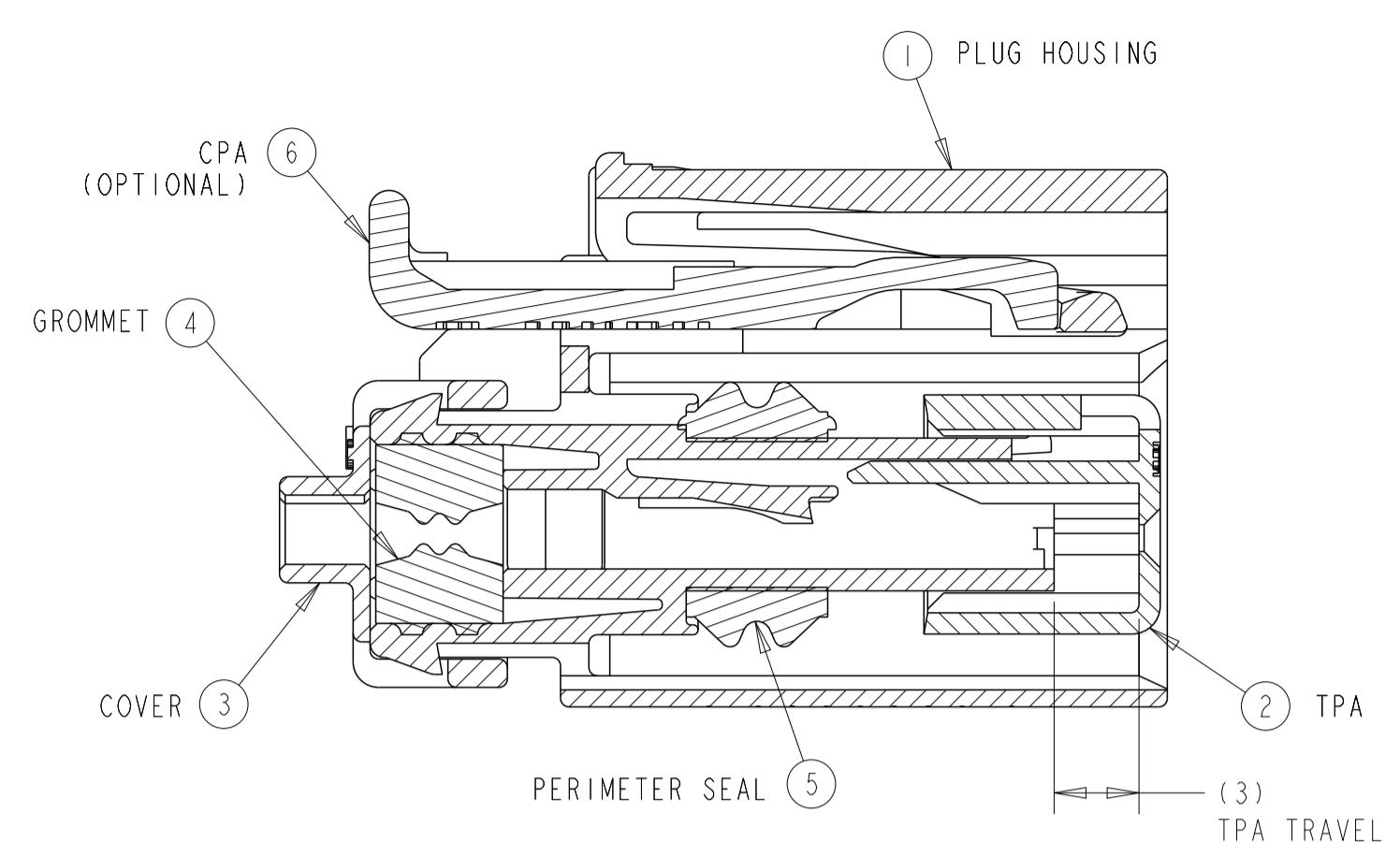
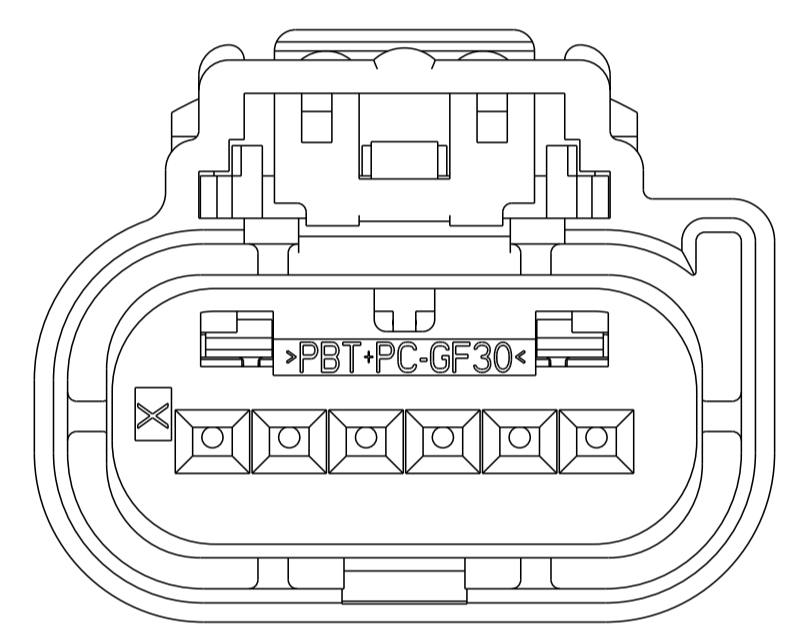
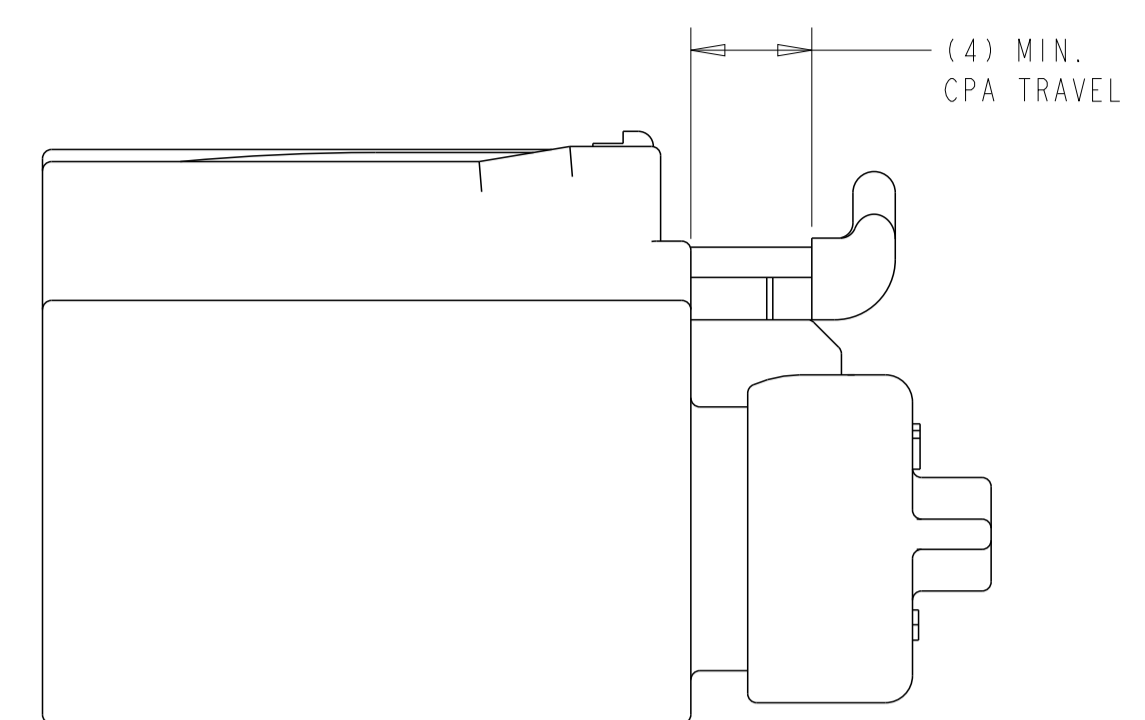
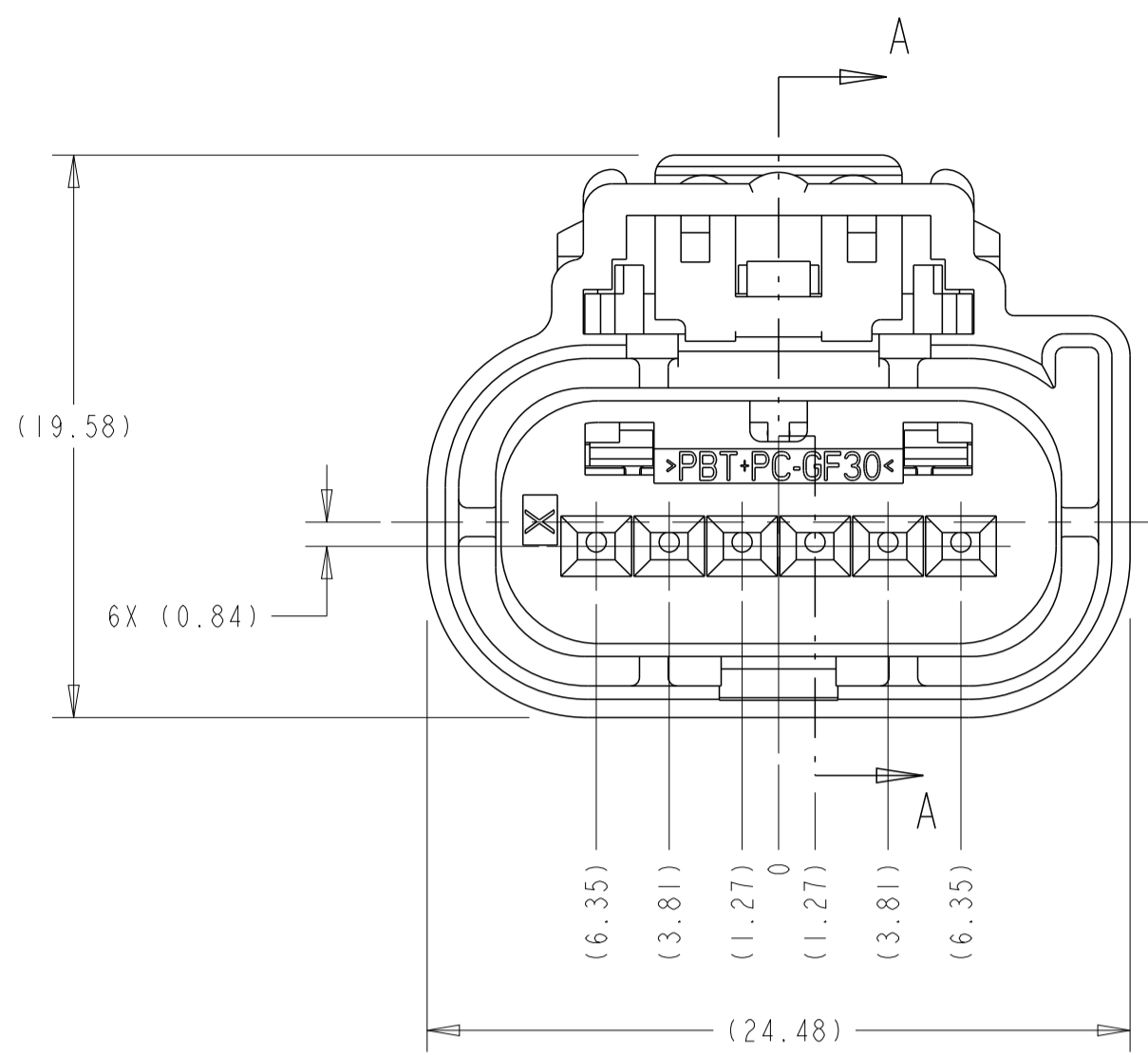


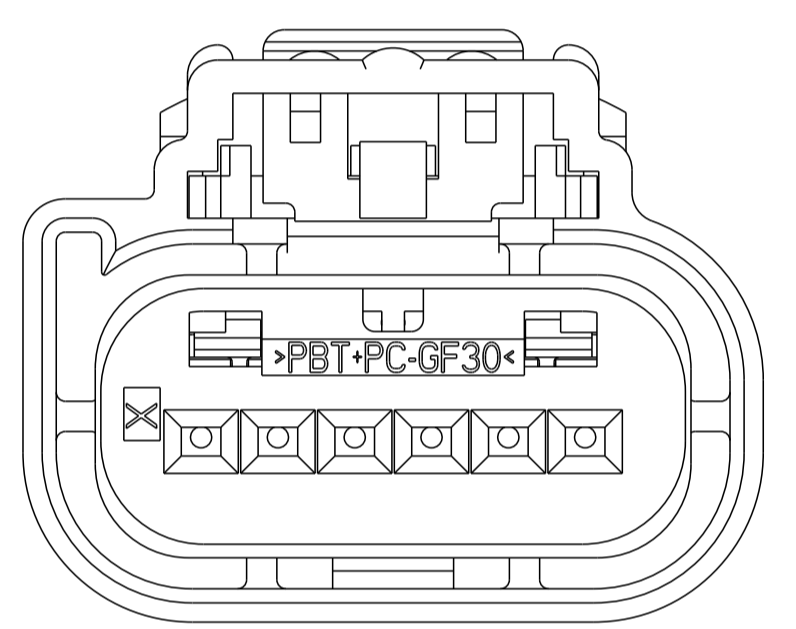
REVISIONS					
P.	LTN	DESCRIPTION	DATE	DWN	APVD
V2		REVISED PER ECO-17-001035	25JAN2017	DLD	DCM
V3		REVISED PER ECO-17-006269	04MAY2017	DLD	DCM
V4		REVISED PER ECO-17-015846	02NOV2017	JMS	CM
V5		REVISED PER ECO-20-012415	10SEP2020	AP	CM



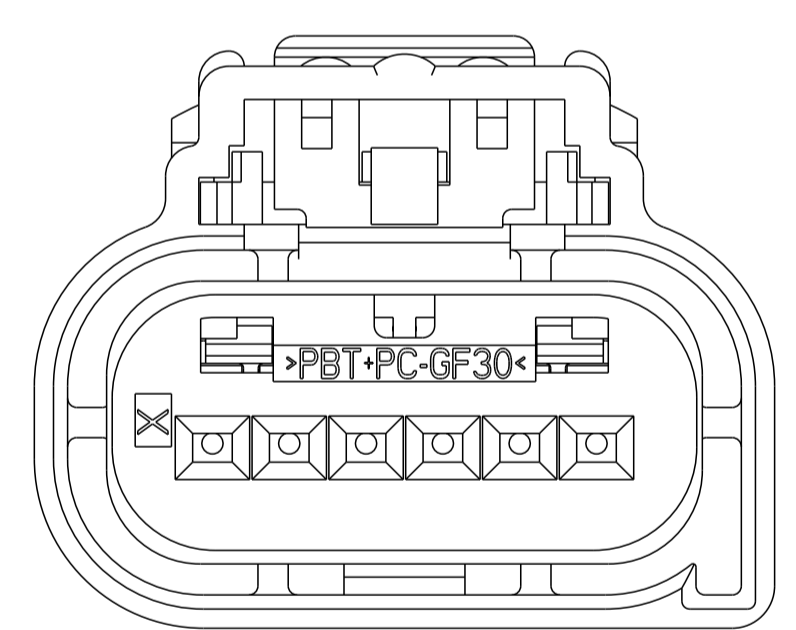
SECTION A-A
SHOWN WITH TPA
AND CPA (OPTIONAL) IN
THEIR PRE-LOADED POSITION
(DELIVERY CONDITION)



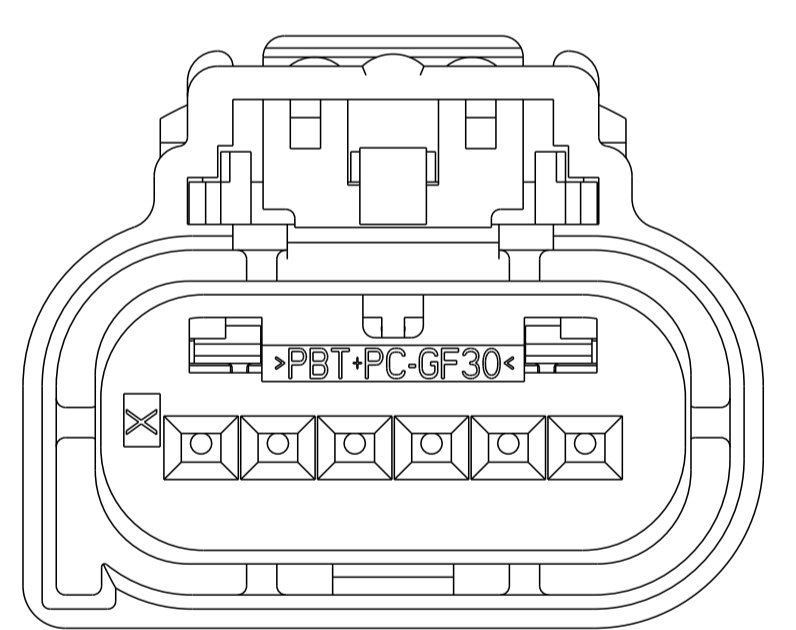
KEYING OPTION "A"



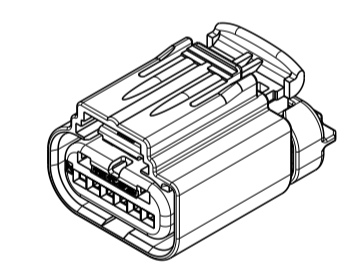
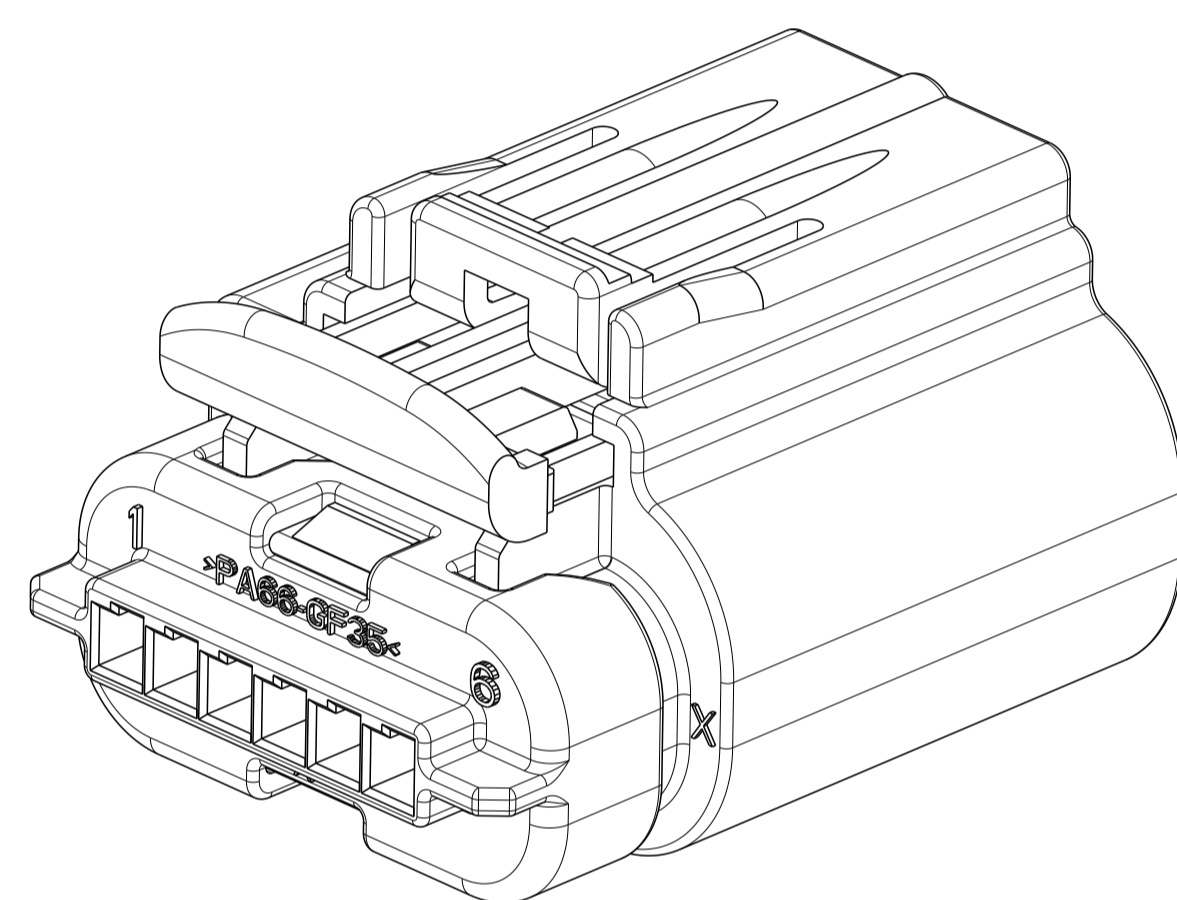
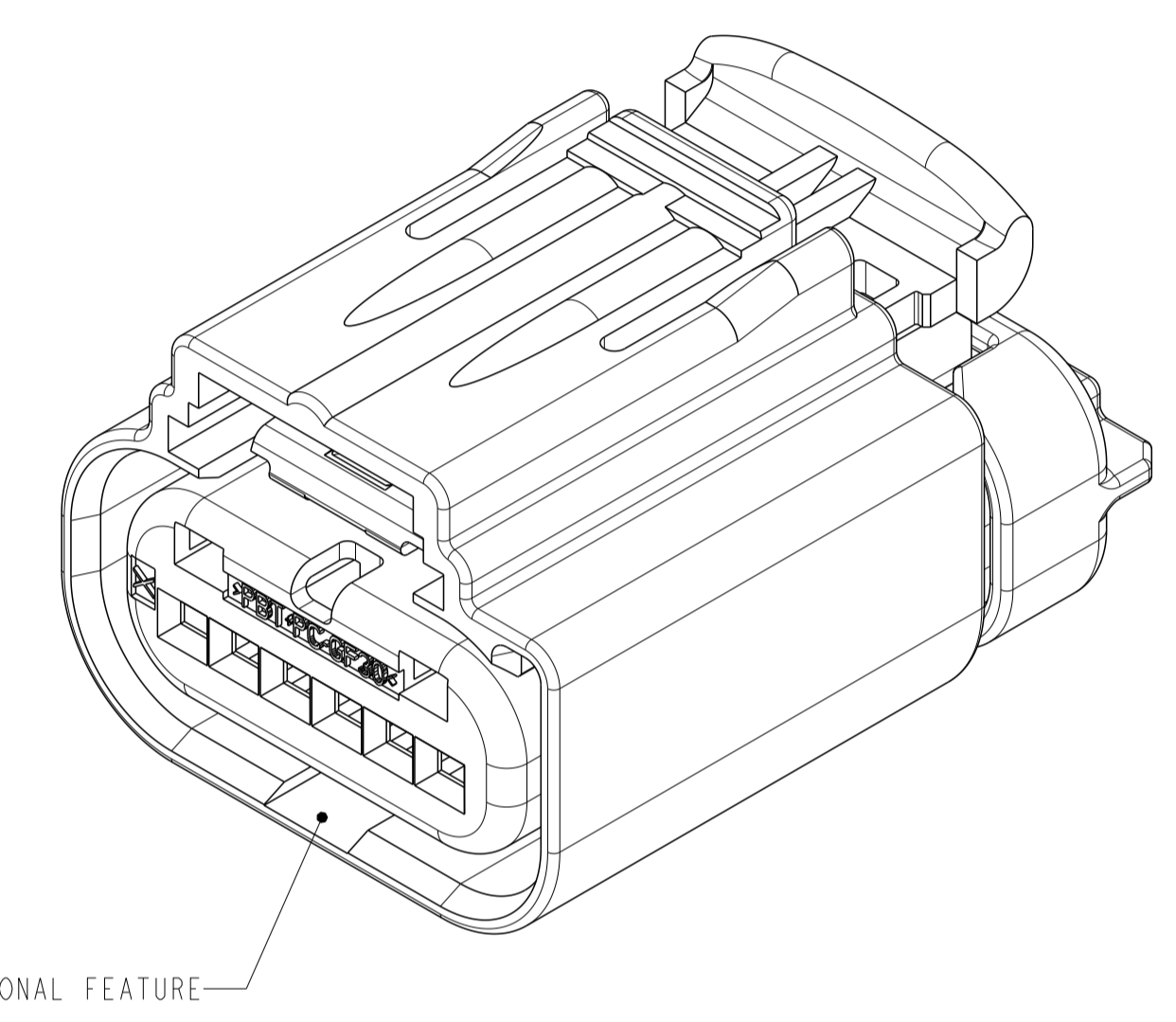
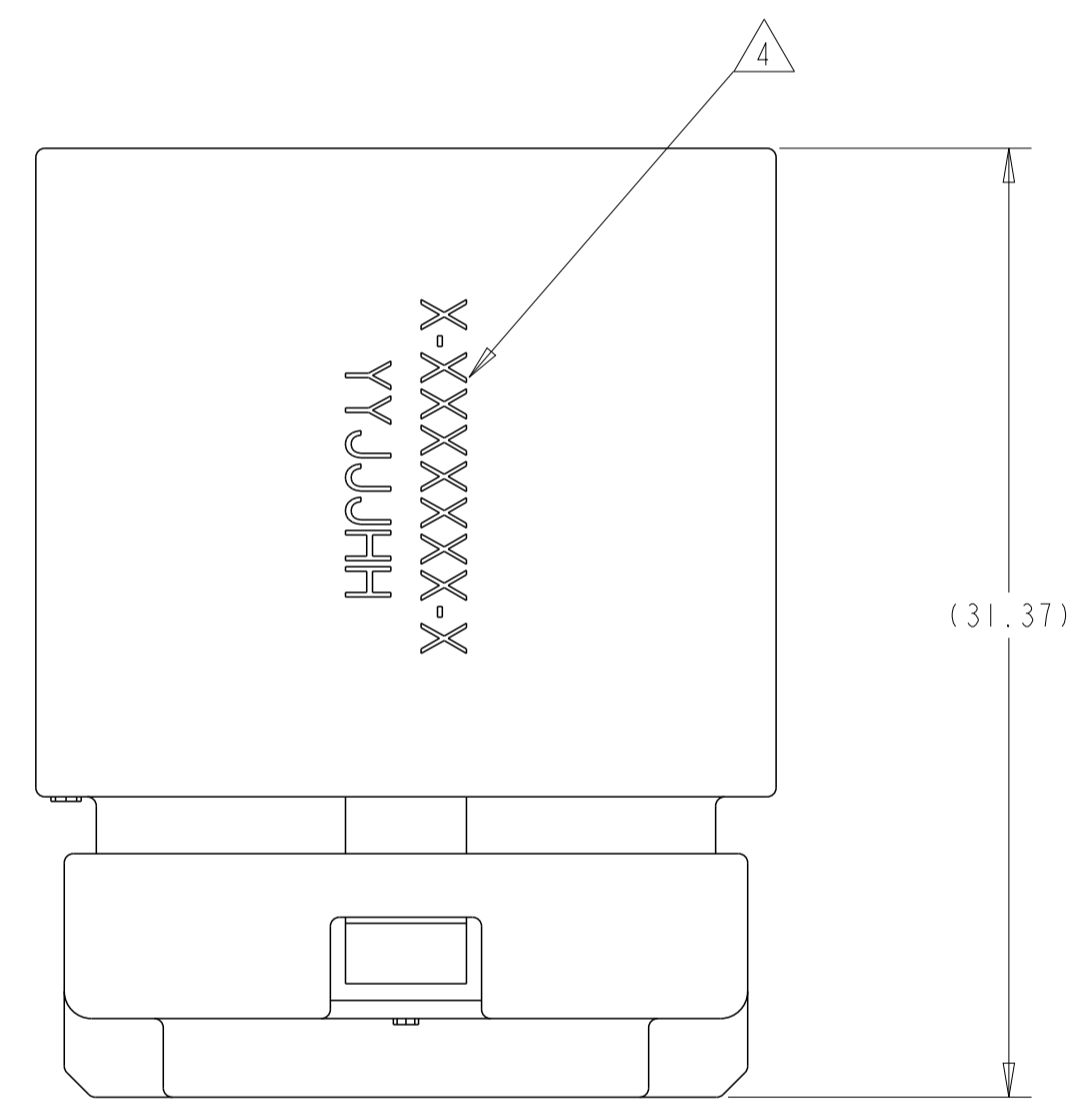
KEYING OPTION "B"



KEYING OPTION "C"



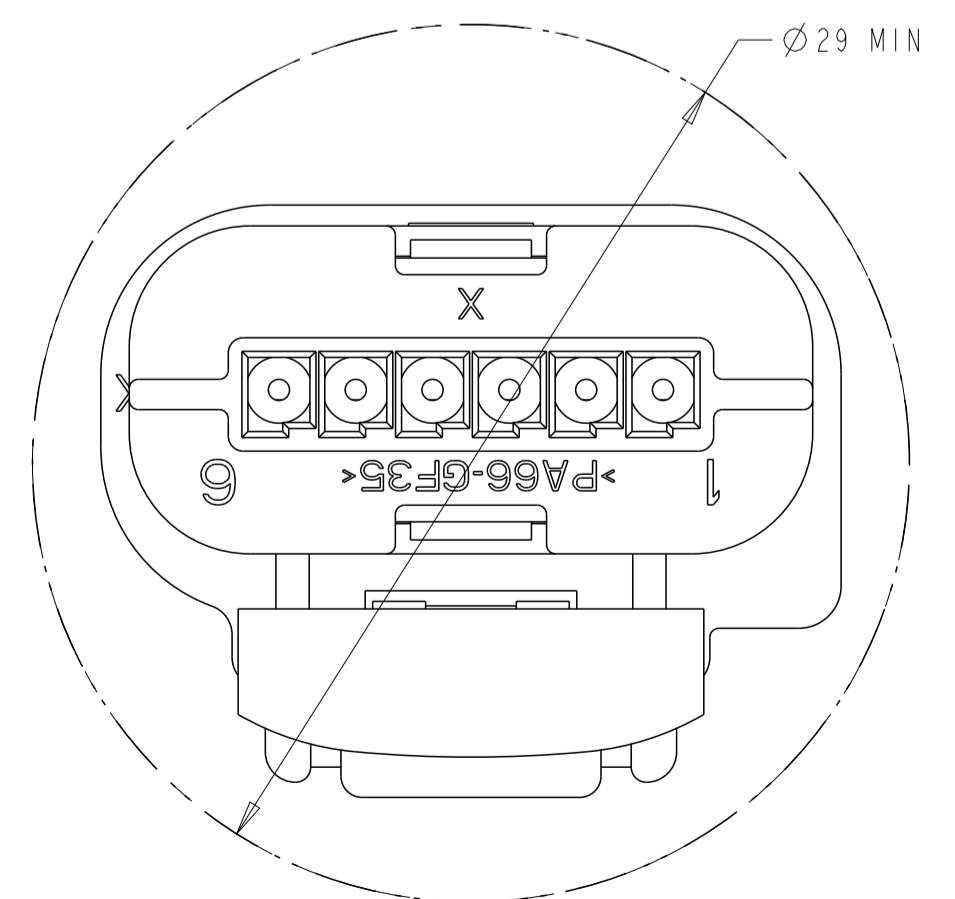
KEYING OPTION "D"



SCALE 1:1

KEYING OPTION "A" SHOWN
SEE NOTE 5 FOR APPLICABLE HEADER
INTERFACE INFORMATION

- APPLICABLE TERMINAL PART NUMBERS (SOLD SEPARATELY):
FOR TIN APPLICATIONS: 1393367 AND 1393366.
FOR GOLD APPLICATIONS: 1393365 AND 1393364.
FOR TERMINATION AND REELING OPTIONS
SEE DRAWINGS 1393367, 1393366, 1393365, AND 1393364.
- COMPATIBLE WIRE SIZES FOR MAT SEAL DESIGN 1.19 TO 2.06 O.D.
(22-18 AWG, 0.35-0.75 mm²)
- TPA IS SHIPPED IN PRE-LOADED POSITION. SOME TPA'S MAY BECOME FULLY SEATED DURING SHIPPING. USE TE CONNECTIVITY INSTRUCTION SHEET 408-10128 TO REPOSITION TPA TO IT'S PRE-LOADED POSITION.
- TE CONNECTIVITY ASSEMBLY PART NUMBER (X-XXXXXX-X) AND TRACEABILITY CODE (YY = TWO DIGIT YEAR, JJJ = JULIAN DAY, HH = TWO DIGIT MILITARY HOUR) ARE PRINTED IN THIS LOCATION.
- APPLICABLE HEADER INTERFACE DRAWING 1438199 IS AVAILABLE UPON REQUEST. A COPY OF THIS DRAWING CAN BE OBTAINED FROM THE TE CONNECTIVITY PRODUCT MANAGER, VIA YOUR TE CONNECTIVITY SALES REPRESENTATIVE OR CUSTOMER SERVICE.
- ASSEMBLIES ARE BULK PACKAGED.
- OPTIONAL CPA IS SHIPPED IN IT'S PRE-LOADED POSITION.
- OBsolete PART



MINIMUM FEED THROUGH CONDITION
WITH 1mm CLEARANCE ALL AROUND

QUANTITY				ITEM	DESCRIPTION	MATERIAL	COLOR
2	1438153-1			6	CPA	PBT-GF15	RED
2	1438153-0			5	PERIMETER SEAL	SILICONE	GREEN
1	1438153-9			4	GROMMET	SILICONE	BROWN
1	1438153-8			3	COVER	PA66-GF35	BLACK
1	1438153-7			2	TPA	PBT+PC-GF30	RED
1	1438153-6				PLUG WITH KEYING KEYING OPTION "D"	PA66-GF35	BLACK
1	1438153-5				PLUG WITH KEYING KEYING OPTION "C"	PA66-GF35	BLACK
1	1438153-4				PLUG WITH KEYING KEYING OPTION "B"	PA66-GF35	BLACK
1	1438153-3				PLUG WITH KEYING KEYING OPTION "A"	PA66-GF35	BLACK
1	1438153-2						
1	1438153-1						
1	1438153-0						
1	1419168-8						
1	1419168-7						
1	1419168-5						
1	1419168-4						
1	1419168-3						
1	1419168-2						
1	1419168-1						
1	1419168-9						

<---- ASSEMBLY PART NUMBERS

THIS DRAWING IS A CONTROLLED DOCUMENT.

DIMENSIONS: mm

TOLERANCES UNLESS OTHERWISE SPECIFIED:

0 PLC ±0.3
1 PLC ±0.10
2 PLC ±0.10
3 PLC ±0.10
4 PLC ±0.10
ANGLES ±0.5°

MATERIAL: -

FINISH: -

THIS DRAWING IS A CONTROLLED DOCUMENT.

DWN: M. FORLSKA
CHK: M. FORLSKA
APVD: A. SHUMAN

PRODUCT SPEC: 15OCT2001

APPLICATION SPEC: 114-13150

WEIGHT: -

CUSTOMER DRAWING

NAME: I X 6 SEALED CONNECTOR HARNESS ASSEMBLY

SIZE: A1

CAGE CODE: 00779

DRAWING NO: 1-1419168-1

RESTRICTED TO: -

SCALE: 4:1

SHEET: 1 OF 2

REV: V5

REVISIONS				
P.	LTN	DESCRIPTION	DATE	APVD
-		SEE SHEET 1	-	-

6	5	4	3	2	1	TE CONNECTIVITY ASSEMBLY PART NUMBER	FORD PART NUMBER
						2-1438153-0	3L2T-14A464-BA-007
6					1	1-1438153-9	---
6						1-1438153-3	3L2T-14A464-BA-006
			3			1-1438153-2	3L2T-14A464-BA-005
			3		1	1-1438153-9	3L2T-14A464-BA-004
	4					1438153-8	3L2T-14A464-BA-003
					1	1438153-4	3L2T-14A464-BA-002
6					1	1438153-1	3L2T-14A464-BA-001
						1-1419168-1	3L2T-14A464-BA-000
6	5	4	3	2	1	TE CONNECTIVITY ASSEMBLY PART NUMBER	FORD PART NUMBER
CAVITIES WITH A NUMBER INDICATES CLOSED TERMINAL HOLE LOCATION							
BLANK CAVITIES INDICATES OPEN TERMINAL HOLE LOCATION							
KEY A, WITH CPA							

6	5	4	3	2	1	TE CONNECTIVITY ASSEMBLY PART NUMBER	FORD PART NUMBER
			3			2-1438153-1	3W4T-14A464-VA-008
6						1-1438153-6	3W4T-14A464-VA-007
6	5		3		1	1-1438153-5	3W4T-14A464-VA-006
6				2	1	1-1438153-4	3W4T-14A464-VA-005
	5					1-1438153-1	3W4T-14A464-VA-004
		4			1	1-1438153-0	---
					1	1438153-6	3W4T-14A464-VA-003
6					1	1438153-5	3W4T-14A464-VA-002
6		4			1	1438153-2	3W4T-14A464-VA-001
						1-1419168-2	3W4T-14A464-VA-000
6	5	4	3	2	1	TE CONNECTIVITY ASSEMBLY PART NUMBER	FORD PART NUMBER
CAVITIES WITH A NUMBER INDICATES CLOSED TERMINAL HOLE LOCATION							
BLANK CAVITIES INDICATES OPEN TERMINAL HOLE LOCATION							
KEY B, WITH CPA							

6	5	4	3	2	1	TE CONNECTIVITY ASSEMBLY PART NUMBER	FORD PART NUMBER
						1-1438153-8	9U5T-14A464-GAA-003
6					1	1-1438153-7	9U5T-14A464-GAA-002
6						1-1419168-5	9U5T-14A464-GAA-001
						1-1419168-3	9U5T-14A464-GAA
6	5	4	3	2	1	TE CONNECTIVITY ASSEMBLY PART NUMBER	FORD PART NUMBER
CAVITIES WITH A NUMBER INDICATES CLOSED TERMINAL HOLE LOCATION							
BLANK CAVITIES INDICATES OPEN TERMINAL HOLE LOCATION							
KEY C, WITH CPA							


6	5	4	3	2	1	TE CONNECTIVITY ASSEMBLY PART NUMBER	FORD PART NUMBER
						1438153-3	3L2T-14A464-GA-001
						1419168-7	3L2T-14A464-GA-000
6	5	4	3	2	1	TE CONNECTIVITY ASSEMBLY PART NUMBER	FORD PART NUMBER
CAVITIES WITH A NUMBER INDICATES CLOSED TERMINAL HOLE LOCATION							
BLANK CAVITIES INDICATES OPEN TERMINAL HOLE LOCATION							
KEY A, NO CPA							

6	5	4	3	2	1	TE CONNECTIVITY ASSEMBLY PART NUMBER	FORD PART NUMBER
6					1	1438153-7	4L5T-14A464-BA-001
						1419168-8	4L5T-14A464-BA-000
6	5	4	3	2	1	TE CONNECTIVITY ASSEMBLY PART NUMBER	FORD PART NUMBER
CAVITIES WITH A NUMBER INDICATES CLOSED TERMINAL HOLE LOCATION							
BLANK CAVITIES INDICATES OPEN TERMINAL HOLE LOCATION							
KEY B, NO CPA							

6	5	4	3	2	1	TE CONNECTIVITY ASSEMBLY PART NUMBER	FORD PART NUMBER
						1419168-9	---
6	5	4	3	2	1	TE CONNECTIVITY ASSEMBLY PART NUMBER	FORD PART NUMBER
CAVITIES WITH A NUMBER INDICATES CLOSED TERMINAL HOLE LOCATION							
BLANK CAVITIES INDICATES OPEN TERMINAL HOLE LOCATION							
KEY C, NO CPA							

6	5	4	3	2	1	TE CONNECTIVITY ASSEMBLY PART NUMBER	FORD PART NUMBER
						1-1419168-0	---
6	5	4	3	2	1	TE CONNECTIVITY ASSEMBLY PART NUMBER	FORD PART NUMBER
CAVITIES WITH A NUMBER INDICATES CLOSED TERMINAL HOLE LOCATION							
BLANK CAVITIES INDICATES OPEN TERMINAL HOLE LOCATION							
KEY D, NO CPA							

PINOUT CHARTS

THIS DRAWING IS A CONTROLLED DOCUMENT.		OWN M. FORISKA 15OCT2001	 TE Connectivity
DIMENSIONS: mm		CHK M. FORISKA 15OCT2001	
TOLERANCES UNLESS OTHERWISE SPECIFIED:		APVD A. SHUMAN 15OCT2001	NAME I X 6 SEALED CONNECTOR HARNESS ASSEMBLY
0 PLC ±0.3	1 PLC ±0.10	PRODUCT SPEC	SIZE CAGE CODE DRAWING NO RESTRICTED TO
2 PLC ±	3 PLC ±	APPLICATION SPEC	A1 00779 C=1-1419168-1
4 PLC ±	ANGLES ±3°	FINISH	WEIGHT
MATERIAL			CUSTOMER DRAWING SCALE 4:1 SHEET 2 OF 2 REV V5

X-ON Electronics

Largest Supplier of Electrical and Electronic Components

Click to view similar products for [Automotive Connectors](#) category:

Click to view products by [TE Connectivity](#) manufacturer:

Other Similar products are found below :

[003-018-000](#) [60403001](#) [60993906-B](#) [M902-2131](#) [M902-2161](#) [M902-2344](#) [72.330.1035.1](#) [73.353.4028.0](#) [F119300-B](#) [F166900](#) [F258300-B](#)
[F358300-B](#) [F407400](#) [F444110](#) [F487000](#) [F509500B-B](#) [827153-1](#) [8N1515-32-24P](#) [9-1326729-8](#) [925474-1](#) [928905-1](#) [964562-4](#) [968782-1](#)
[GT17SA-8DS-HU](#) [98891-1012](#) [98947-1016](#) [12004147](#) [12004475-L](#) [12010290](#) [12015454](#) [12020219-B](#) [12041318-B](#) [12052225-L](#) [12052466](#)
[12064869](#) [12004327-B](#) [12015308](#) [12015384](#) [12015909](#) [1-21030-1](#) [12041254](#) [12041318](#) [12047946-B](#) [12047957](#) [12047957-L](#) [12059473](#)
[12066261](#) [12110546](#) [12110546-B](#) [12131792](#)