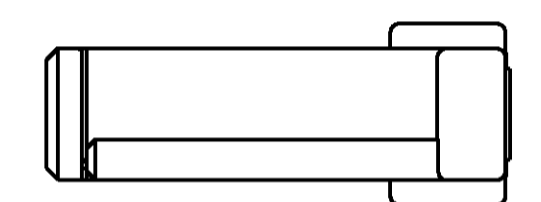
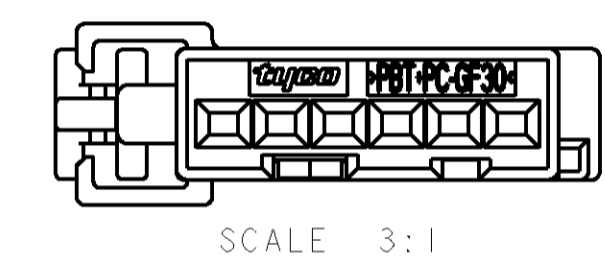
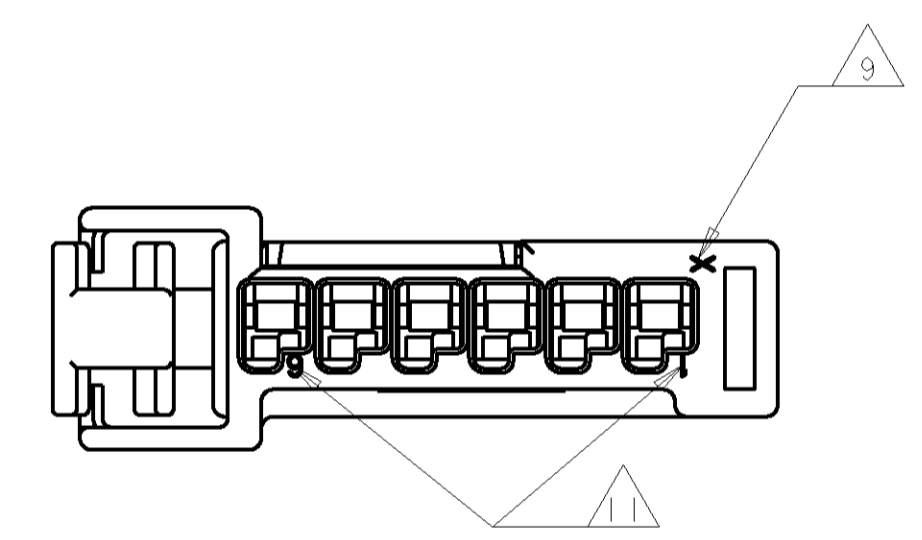
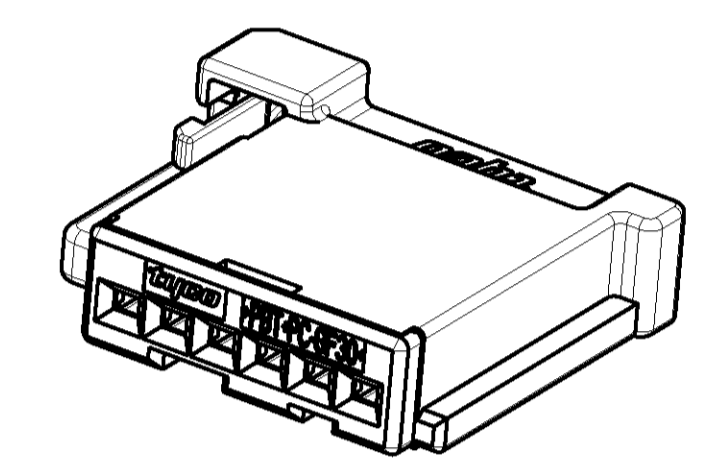
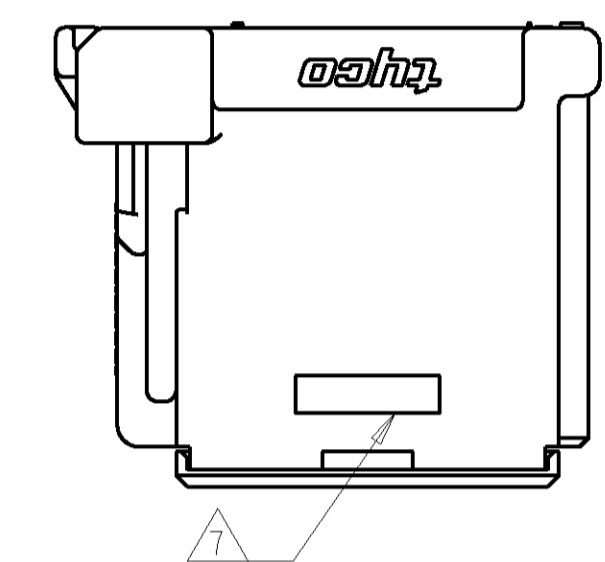
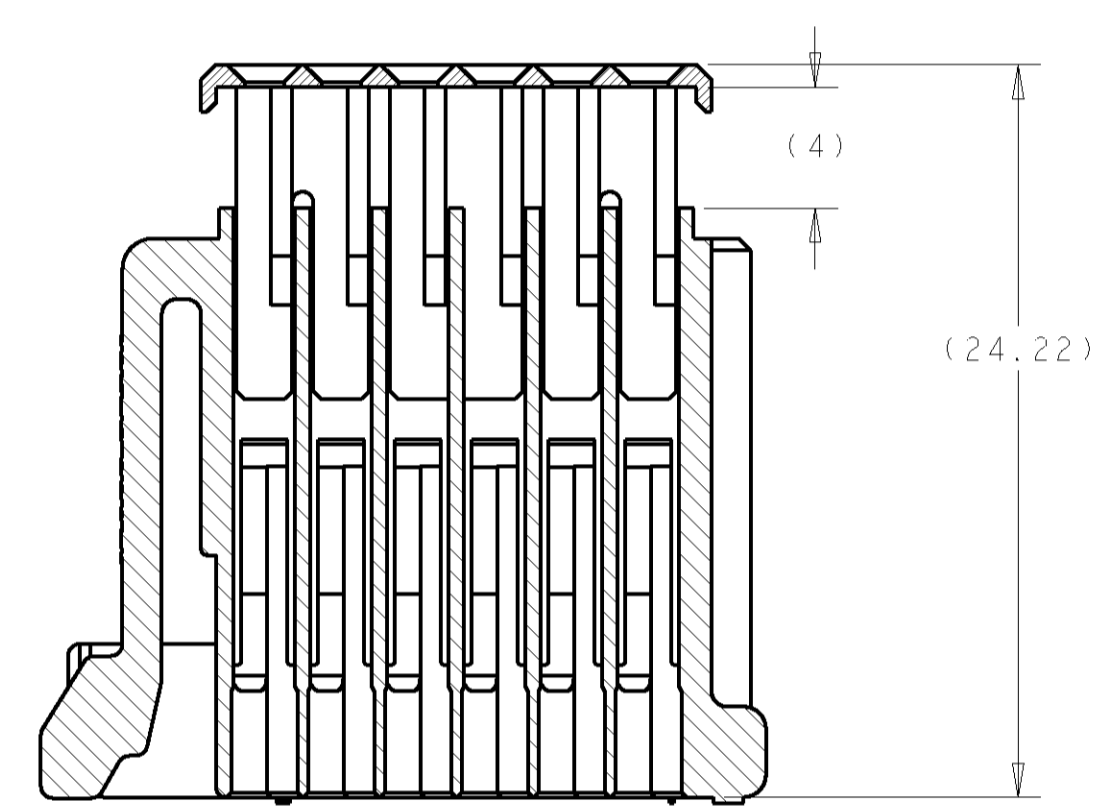
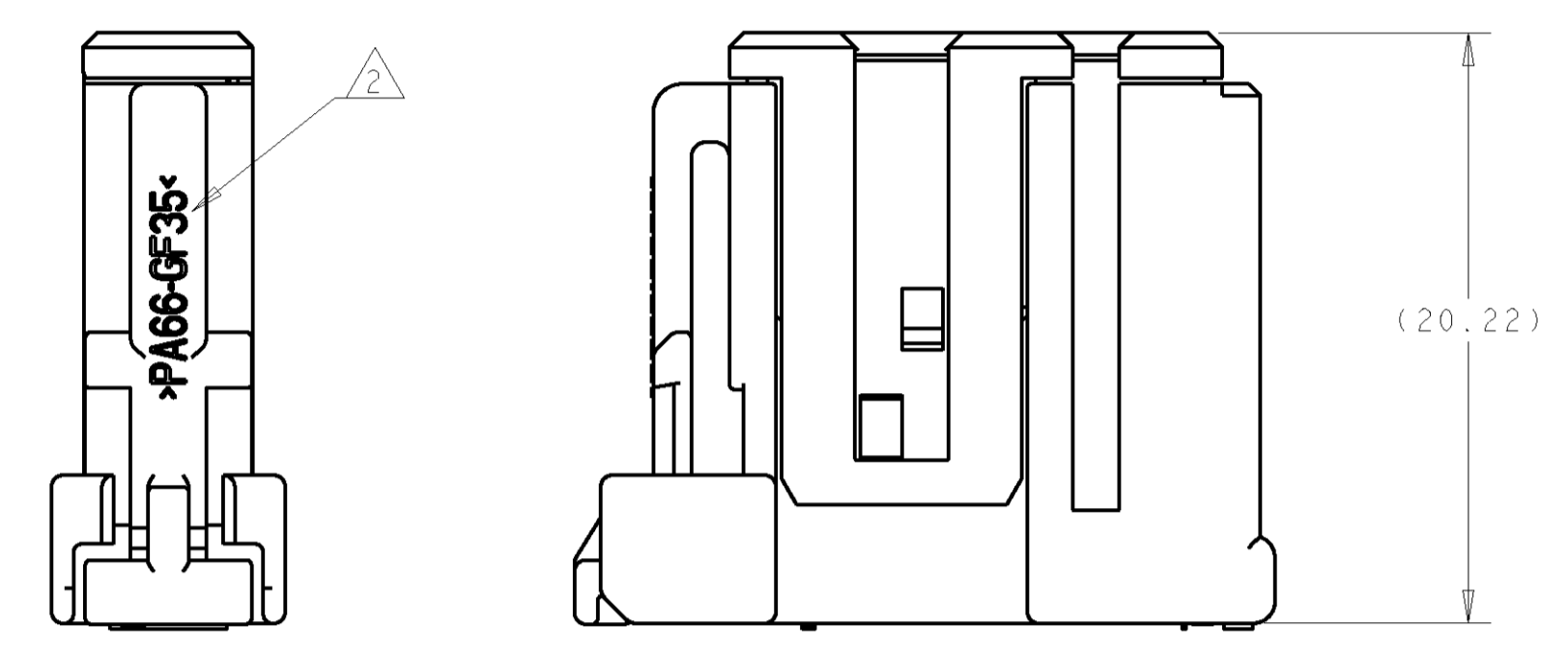
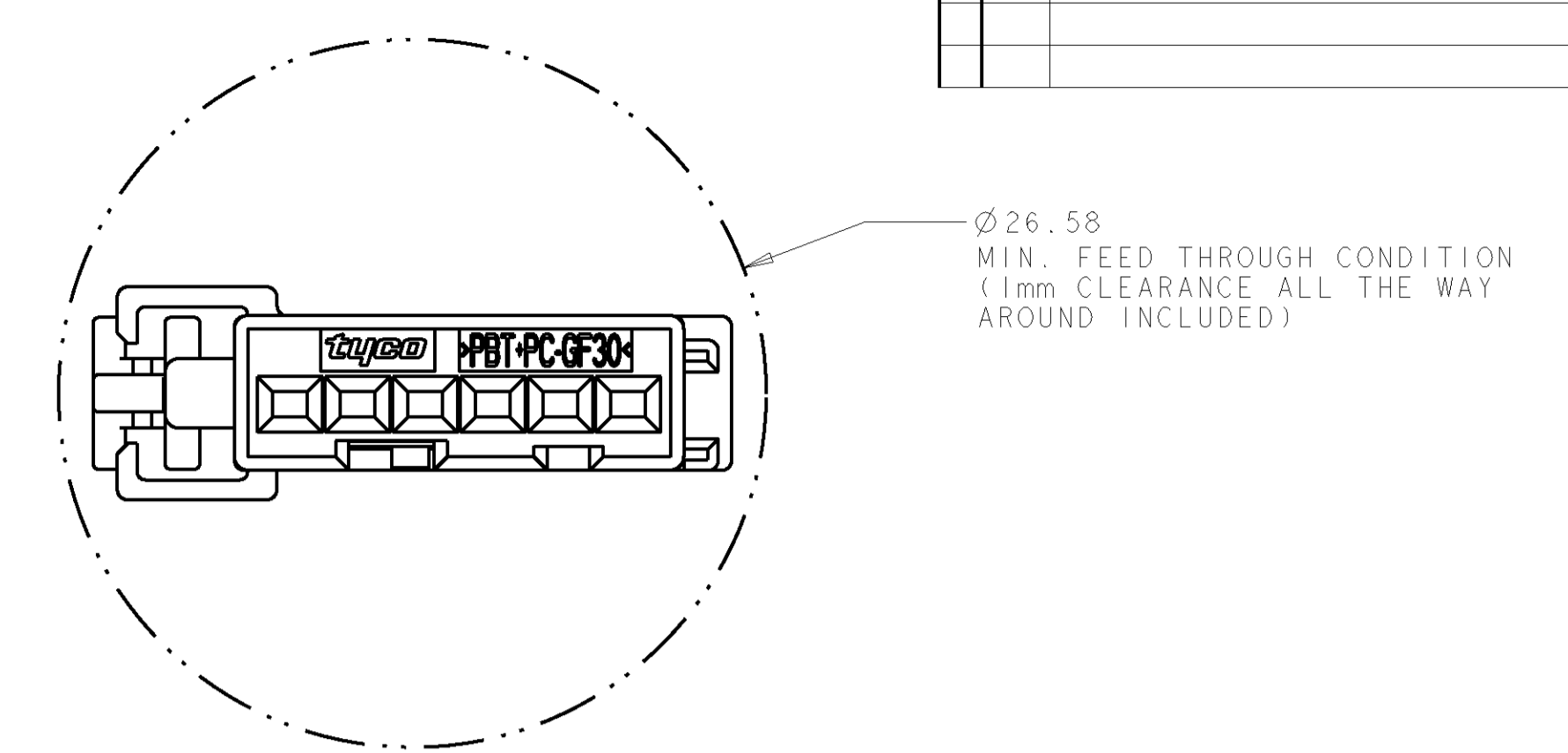
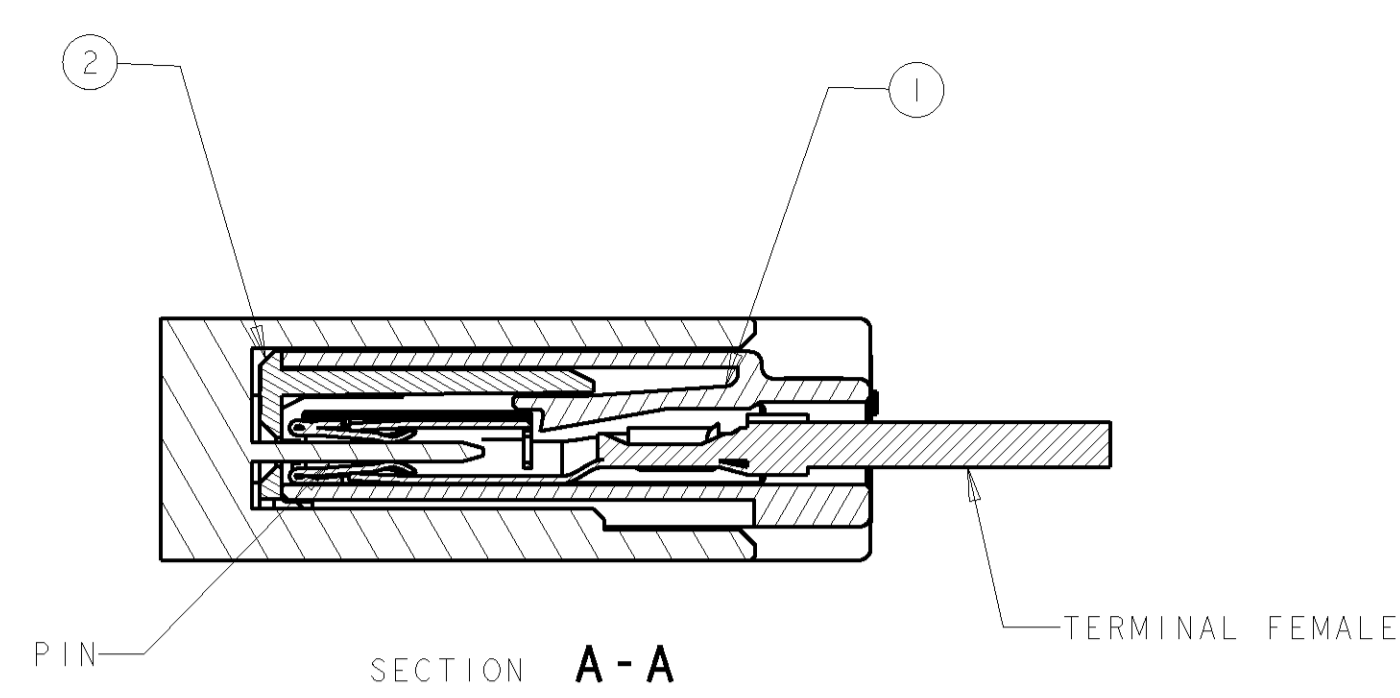
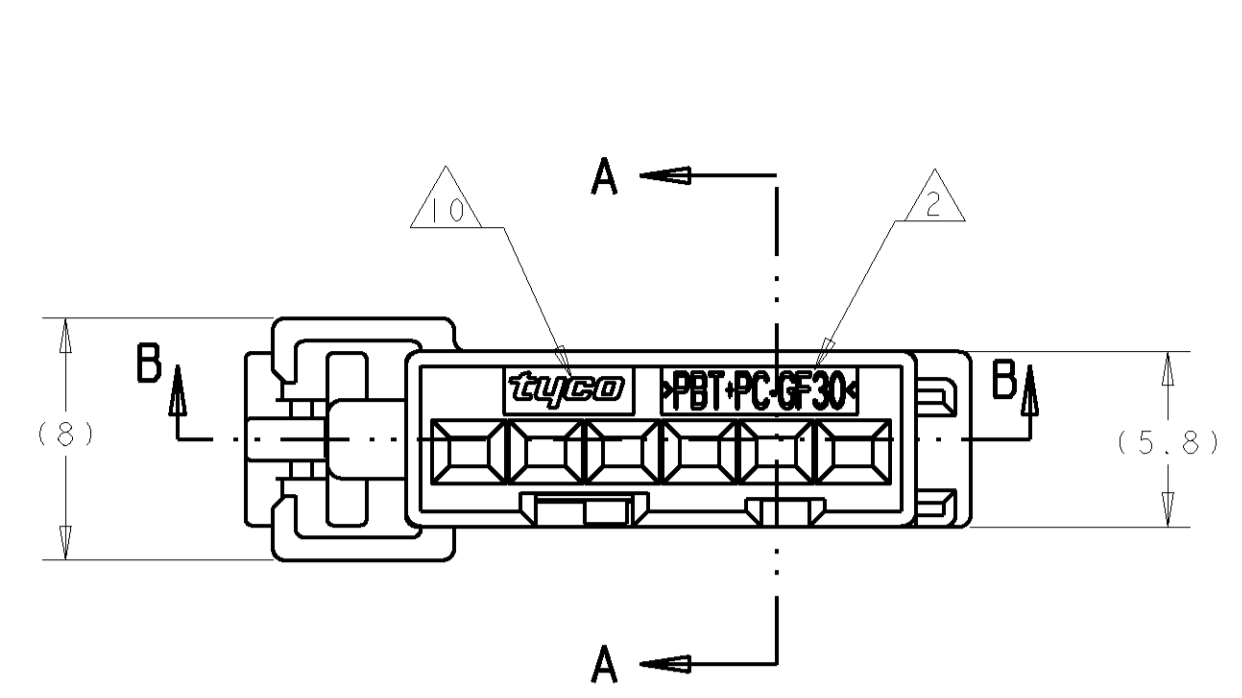


REVISONS		DATE	OWN	APVD
FX	00			
B2	REVISED PER ECR 07-015002	26JUN2007	DLD	DCS



KEYING OPTIONS

1438156-1	1438156-2	1438156-3	1438156-4
KEYING OPTION "A"	KEYING OPTION "B"	KEYING OPTION "C"	KEYING OPTION "D"

- NOTE(S):
- MAXIMUM INSERTION FORCE FULLY POPULATED WITH TIN TERMINALS= 39(N)
GOLD TERMINALS= 27 (N)
 - MATERIAL IDENTIFICATION SYMBOLS.
 - 0.2 mm MAXIMUM RADIUS PERMISSIBLE ON EDGES AND FILLETS SHOWN AS SHARP FOR PLASTIC PARTS.
 - N/A
 - N/A
 - N/A
 - PRODUCTION DATE CODE (YY-DDD-HH)& ASSEMBLY PART NO. APPLIED IN APPROXIMATE LOCATION.
 - N/A
 - TOOL CAVITY #
 - COMPANY LOGO
 - TERMINAL CAVITY IDENTIFICATION NUMBER.
 - INTERFACE DRAWING IS AVAILABLE UPON REQUEST FROM ENGINEERING.

LIST OF PARTS						
ITEM	COLOR	DESCRIPTION	TYCO PART NUMBER	RECYCLING CODE	WEIGHT (GRAM)	
1438156-4						
1438156-3						
1438156-2						
1438156-1						
MAX. TEMP. (AMBIENT + RISE) 120° C (CLASS #2)						
2	RED	SPACER	1438155-1	>PBT+PC-GF30<		
1	BLACK	HARNESS-KEY D	1438154-4	>PA66-GF35<	N/A	
1		HARNESS-KEY C	1438154-3			
1		HARNESS-KEY B	1438154-2			
1		HARNESS-KEY A	1438154-1			

APPLICABLE COMPONENTS					
DESCRIPTION	NOMINAL TERMINAL SIZE	COLOR	TYCO PART NUMBER	MATERIAL / SPECIFICATION NUMBER	APPLICABLE WIRE SIZES
TERMINAL FEMALE	0.64 (CAT. 0)	N/A	1393366-1	COPPER ALLOY/TIN PLATE	18-20AWG OR METRIC EQUIVALENT
TERMINAL FEMALE	0.64 (CAT. 0)	N/A	1393367-1	COPPER ALLOY/TIN PLATE	22-24AWG OR METRIC EQUIVALENT
TERMINAL FEMALE	0.64 (CAT. 0)	N/A	1393365-1	COPPER ALLOY/GOLD PLATE	18-20AWG OR METRIC EQUIVALENT
TERMINAL FEMALE	0.64 (CAT. 0)	N/A	1393364-1	COPPER ALLOY/GOLD PLATE	22-24AWG OR METRIC EQUIVALENT

DIMENSIONS: mm		TOLERANCES UNLESS OTHERWISE SPECIFIED:		DWN: HITCHCOCK 11JUL2002		Tyco Electronics Harrisburg, PA 17105-3608	
mm		0 PLC ± 2 PLC ± 3 PLC ± 4 PLC ± ANGLES		CHK: SHUMAN 11JUL2002		NAME: 1X6 UNSEALED, LOW PROFILE, HARNESS, PLUG ASSEMBLY	
MATERIAL: -		FINISH: -		APVD: VALASEK 11JUL2002		SIZE: A 00779 C=1438156	
CUSTOMER DRAWING		SCALE: 4:1		SHEET: 1 OF 1		REV: B2	

X-ON Electronics

Largest Supplier of Electrical and Electronic Components

Click to view similar products for [Automotive Connectors](#) category:

Click to view products by [TE Connectivity](#) manufacturer:

Other Similar products are found below :

[003-018-000](#) [60403001](#) [60993906-B](#) [M902-2131](#) [M902-2161](#) [72.330.1035.1](#) [73.353.4028.0](#) [F119300-B](#) [F166900](#) [F258300-B](#) [F358300-B](#)
[F407400](#) [F444110](#) [F487000](#) [F509500B-B](#) [827153-1](#) [8N1515-32-24P](#) [9-1326729-8](#) [925474-1](#) [928905-1](#) [964562-4](#) [968782-1](#) [GT17SA-8DS-](#)
[HU](#) [98891-1012](#) [98947-1016](#) [12004147](#) [12004475-L](#) [12010290](#) [12010309-B](#) [12015454](#) [12020219-B](#) [12020308](#) [12041318-B](#) [12052225-L](#)
[12052466](#) [12059125](#) [12064869](#) [12004327-B](#) [12010503-B](#) [12015308](#) [12015384](#) [12015909](#) [1-21030-1](#) [12041254](#) [12041318](#) [12047946-B](#)
[12047957](#) [12047957-L](#) [12059473](#) [12066261](#)