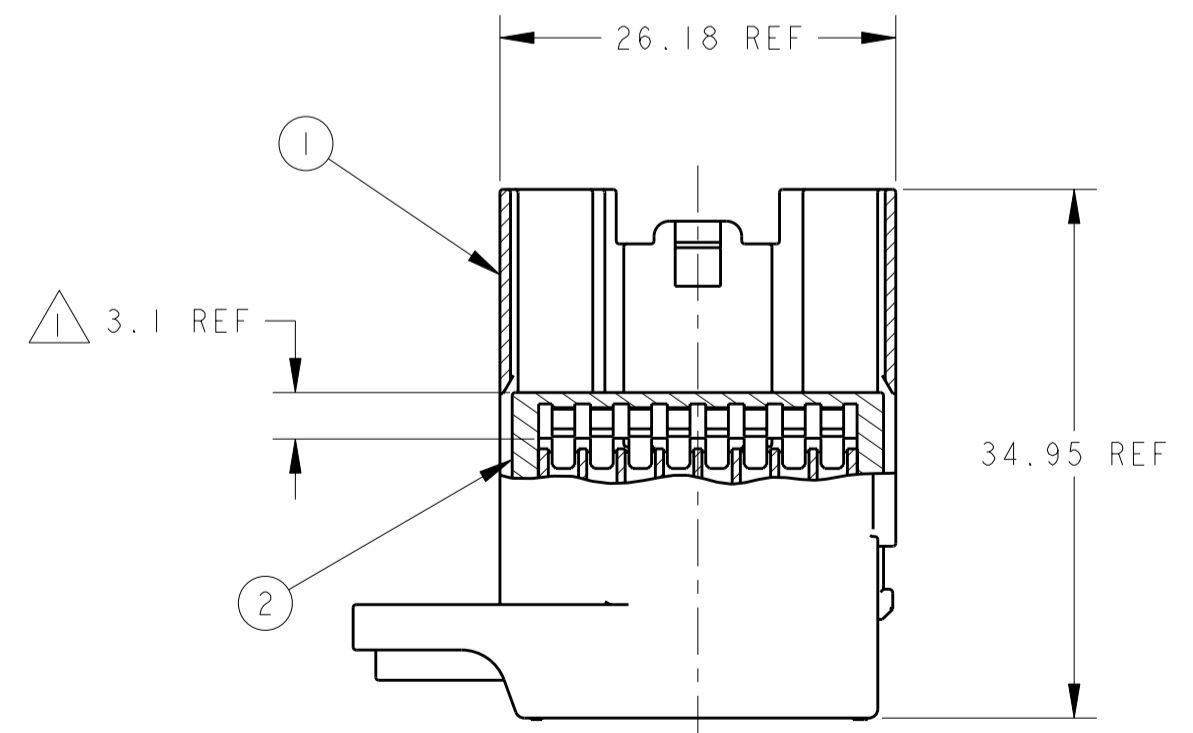
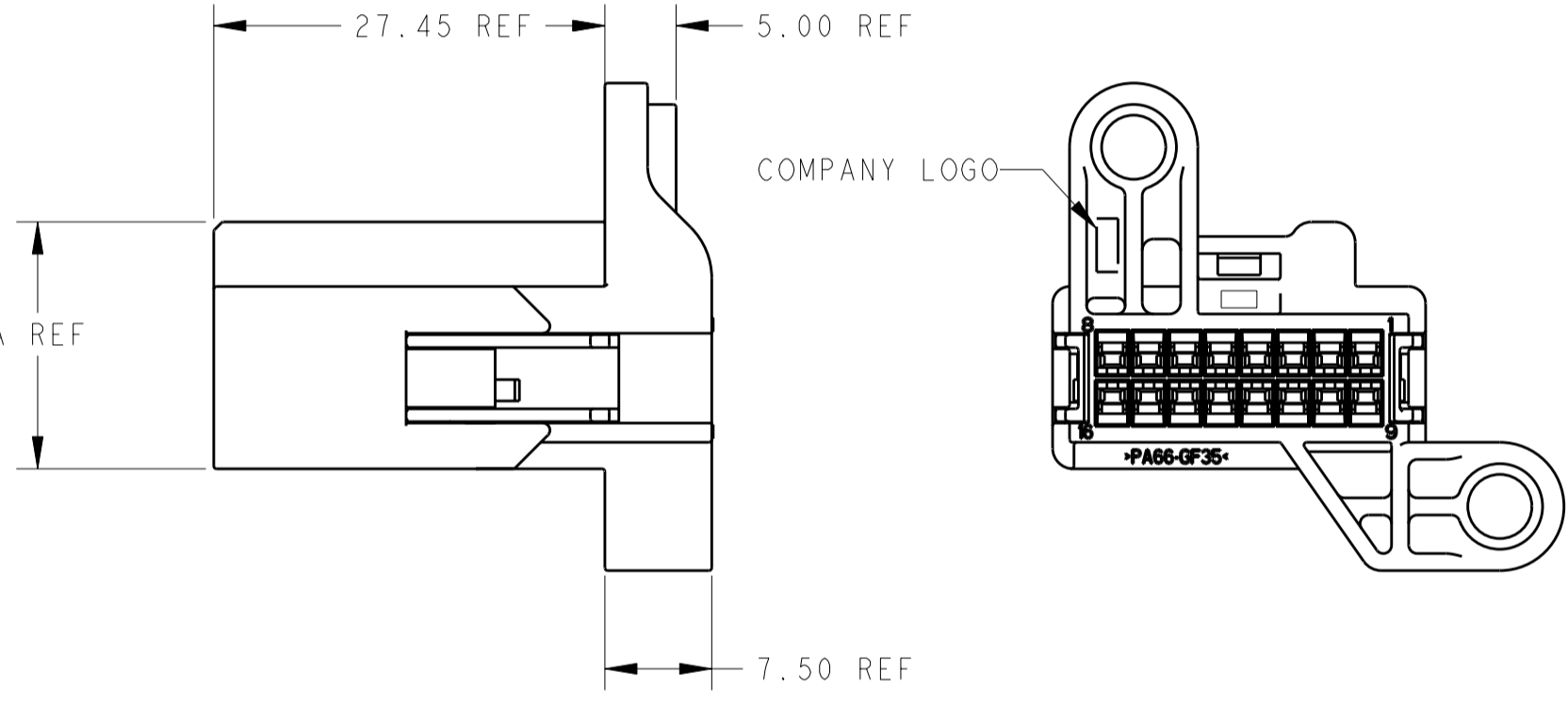
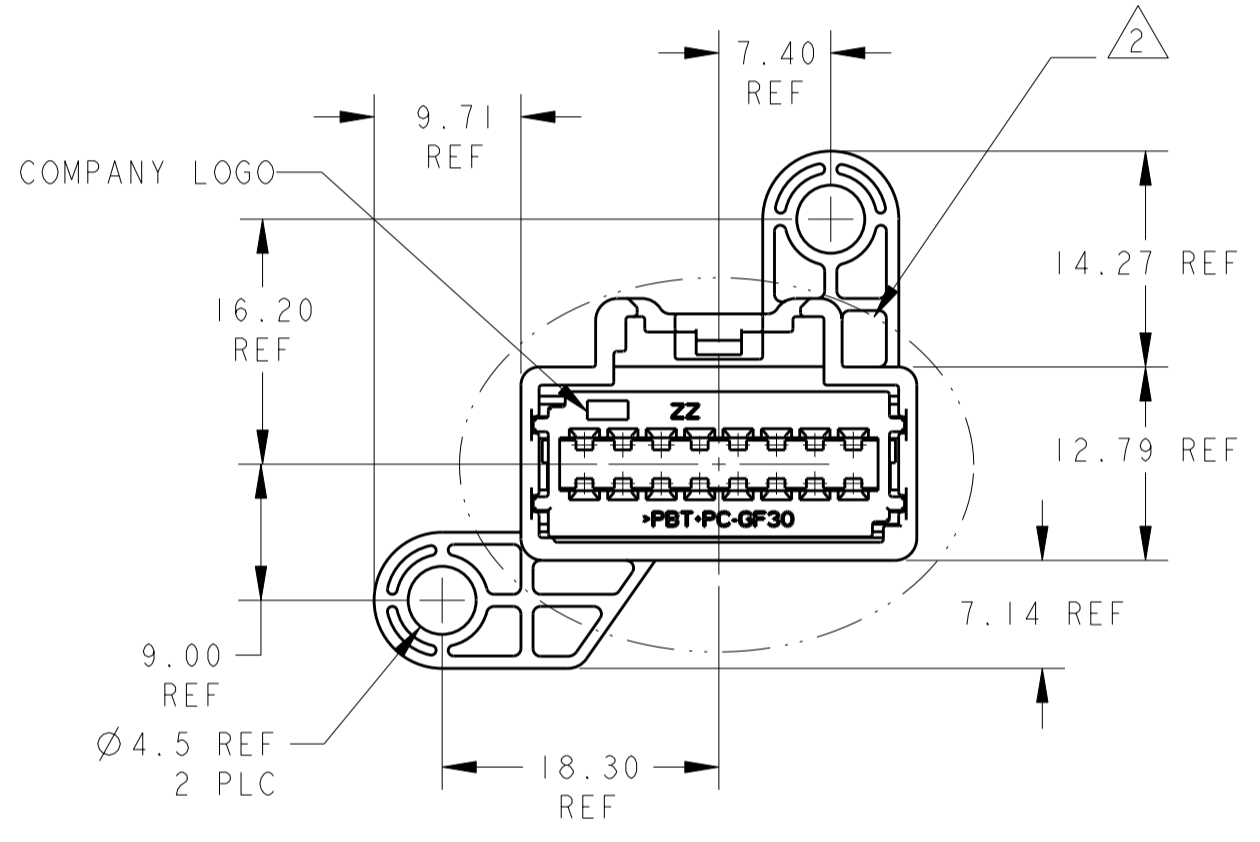
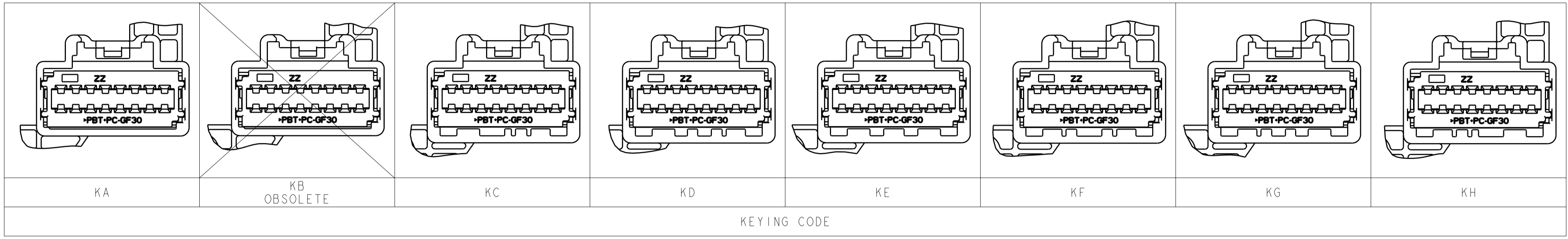


THIS DRAWING IS UNPUBLISHED. RELEASED FOR PUBLICATION 20
 © COPYRIGHT 20 BY TYCO ELECTRONICS CORPORATION. ALL RIGHTS RESERVED.

LOC DIST
 FX 00

P	LTR	DESCRIPTION	DATE	DWN	APVD
A		REVISED PER EC 0K3G-0035-02	13FEB2002	MFF	AJS
A1		REVISED PER EC 0K3G-0228-02	20NOV2002	MBH	AJS
A2		REVISED PER ECR 06-020521	15SEP2006	DLD	DCS
A3		REV PER ECR-10-012906	24JUN2010	VSS	DZ



① TPA SHOWN IN PRE-LATCHED POSITION
 ② SEE KEYING CODE TABLE FOR VARIOUS KEYING CONFIGURATIONS

1438170-8	1438170-7	1438170-6	1438170-5	1438170-4	1438170-3	1438170-2	1438170-1	OBSOLETE						
								<--- ASSEMBLY PART NUMBERS						
1	1	1	1	1	1	1	1	2	TPA	N/A	sPS-GF30	RED		
1								1	HEADER "KH"	18.52	sPS+PA66-GF30	BLACK		
	1							1	HEADER "KG"	18.52	sPS+PA66-GF30	BLACK		
		1						1	HEADER "KF"	18.52	sPS+PA66-GF30	BLACK		
			1					1	HEADER "KE"	18.52	sPS+PA66-GF30	BLACK		
				1				1	HEADER "KD"	18.52	sPS+PA66-GF30	BLACK		
					1			1	HEADER "KC"	18.52	sPS+PA66-GF30	BLACK		
						1		1	HEADER "KB"	17.32	sPS+PA66-GF30	BLACK		
							1	1	HEADER "KA"	17.32	sPS+PA66-GF30	BLACK		
									QUANTITY	ITEM	DESCRIPTION	DIM A	MATERIAL	COLOR

THIS DRAWING IS A CONTROLLED DOCUMENT FOR TYCO ELECTRONICS CORPORATION. IT IS SUBJECT TO CHANGE AND THE CONTROLLING ENGINEERING ORGANIZATION SHOULD BE CONTACTED FOR THE LATEST REVISION.

DWN J.R. SHUEY 26OCT2001
 CHK A.J. SHUMAN 29OCT2001
 APVD A.J. SHUMAN 29OCT2001

Tyco Electronics
 Harrisburg, PA 17105-3608

NAME: PLUG ASSEMBLY, 2 X 8 INLINE, MALE WITH MOUNTING EARS

SIZE: A2 CAGE CODE: 00779 DRAWING NO: 1438170 RESTRICTED TO: []

MATERIAL: SEE CALLOUT
 DIMENSIONS: mm
 TOLERANCES UNLESS OTHERWISE SPECIFIED:
 0 PLC ±
 1 PLC ±0.4
 2 PLC ±0.20
 3 PLC ±
 4 PLC ±
 ANGLES ±°
 FINISH

PRODUCT SPEC: -
 APPLICATION SPEC: -
 WEIGHT: -

CUSTOMER DRAWING SCALE: 2:1 SHEET 1 OF 1 REV A3

X-ON Electronics

Largest Supplier of Electrical and Electronic Components

Click to view similar products for [Automotive Connectors](#) category:

Click to view products by [TE Connectivity](#) manufacturer:

Other Similar products are found below :

[003-018-000](#) [60403001](#) [60993906-B](#) [M902-2131](#) [M902-2161](#) [72.330.1035.1](#) [73.353.4028.0](#) [F119300-B](#) [F166900](#) [F258300-B](#) [F358300-B](#)
[F407400](#) [F444110](#) [F487000](#) [F509500B-B](#) [827153-1](#) [8N1515-32-24P](#) [9-1326729-8](#) [925474-1](#) [928905-1](#) [964562-4](#) [968782-1](#) [GT17SA-8DS-](#)
[HU](#) [98891-1012](#) [98947-1016](#) [12004147](#) [12004475-L](#) [12010290](#) [12010309-B](#) [12015454](#) [12020219-B](#) [12020308](#) [12041318-B](#) [12052225-L](#)
[12052466](#) [12059125](#) [12064869](#) [12004327-B](#) [12010503-B](#) [12015308](#) [12015384](#) [12015909](#) [1-21030-1](#) [12041254](#) [12041318](#) [12047946-B](#)
[12047957](#) [12047957-L](#) [12059473](#) [12066261](#)