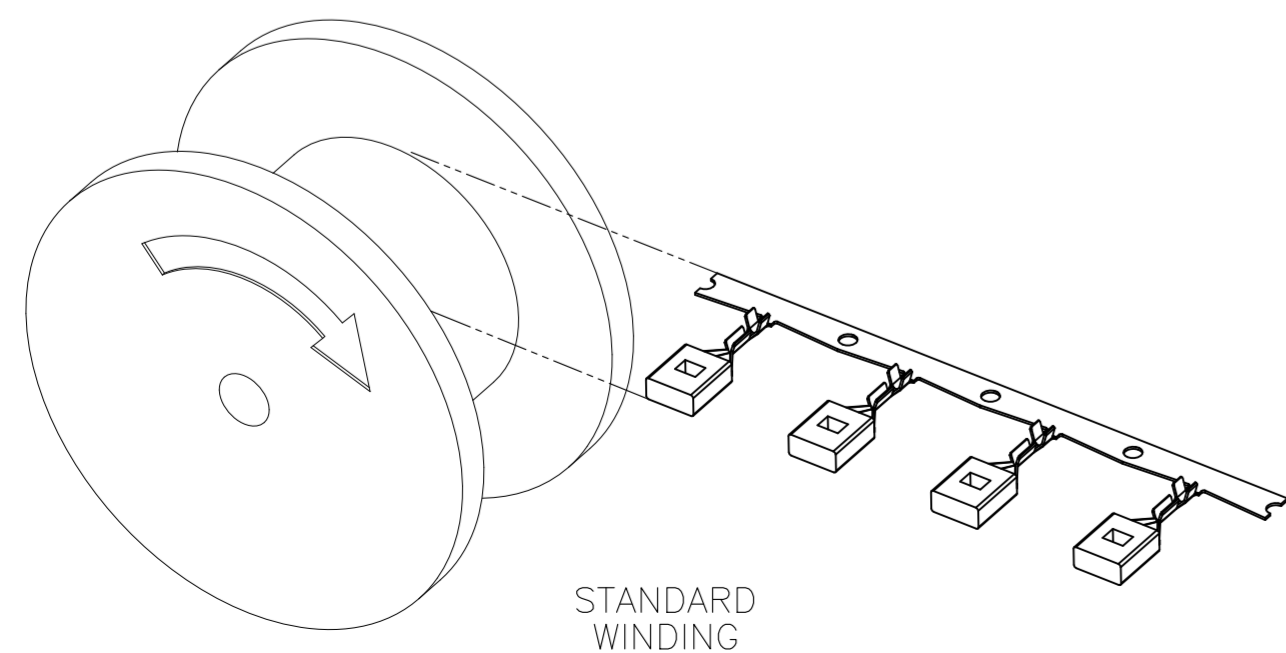
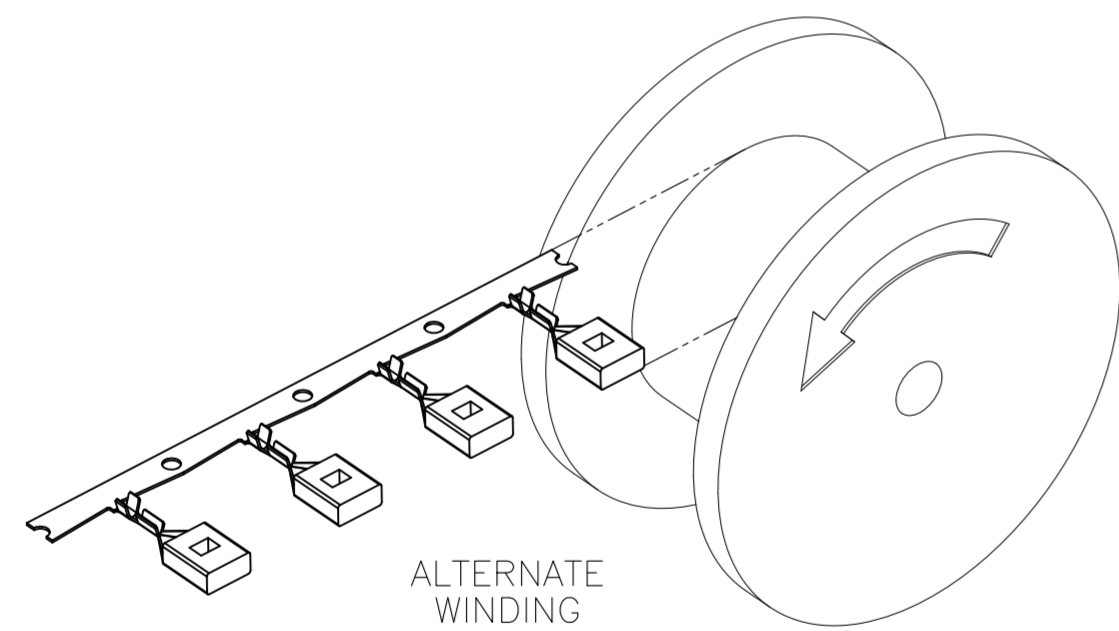
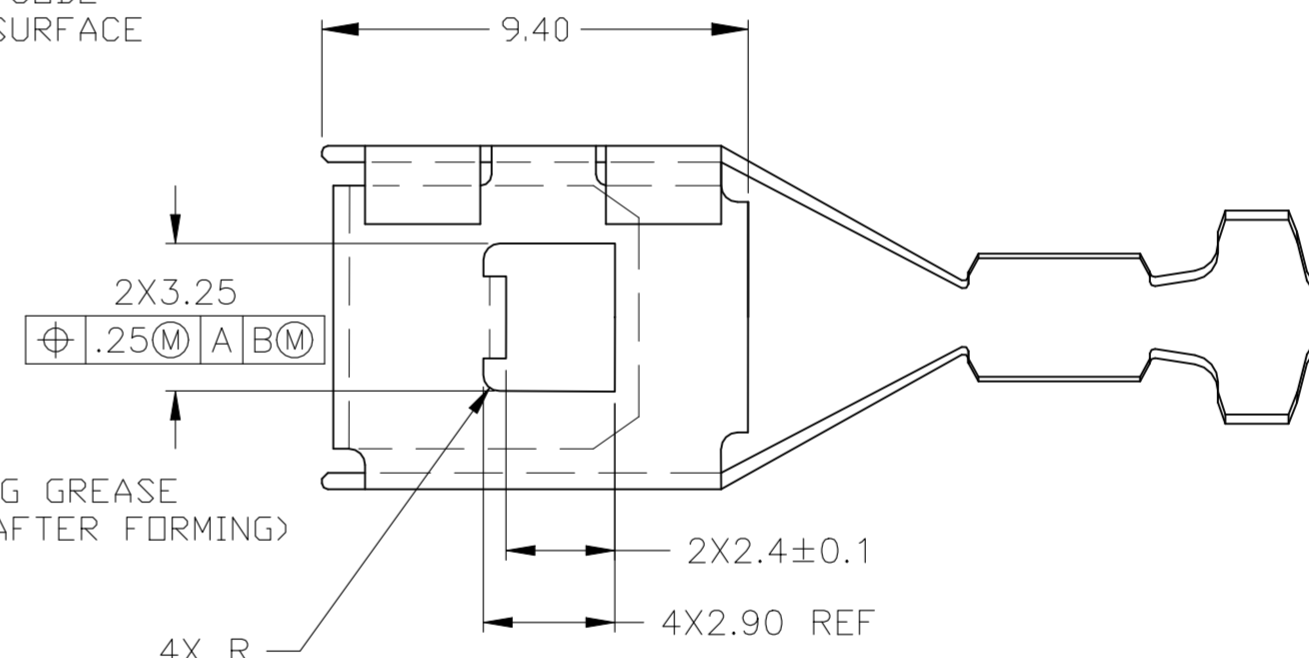
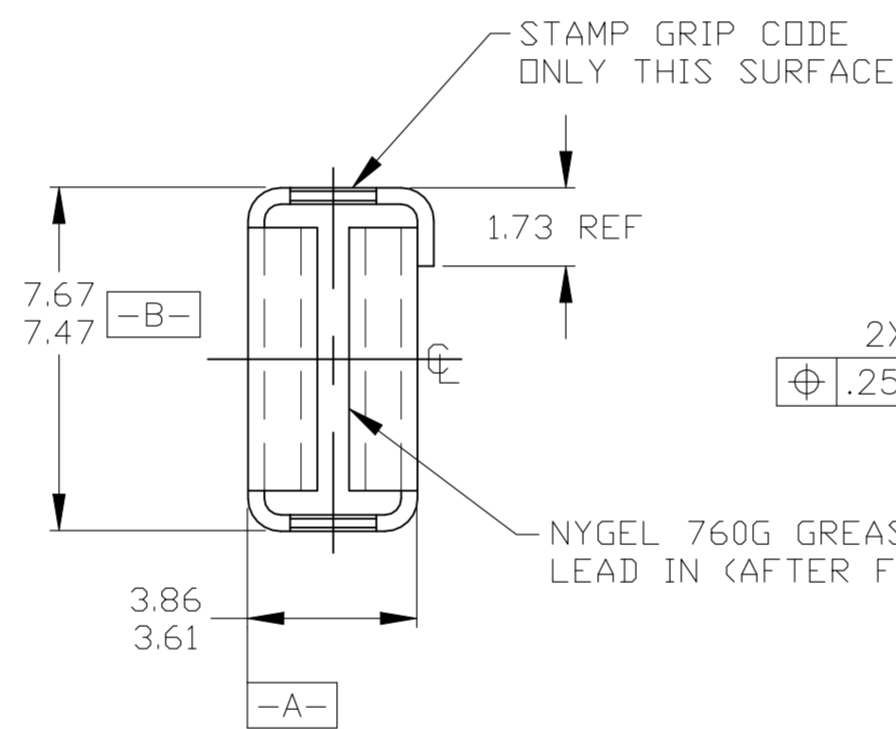
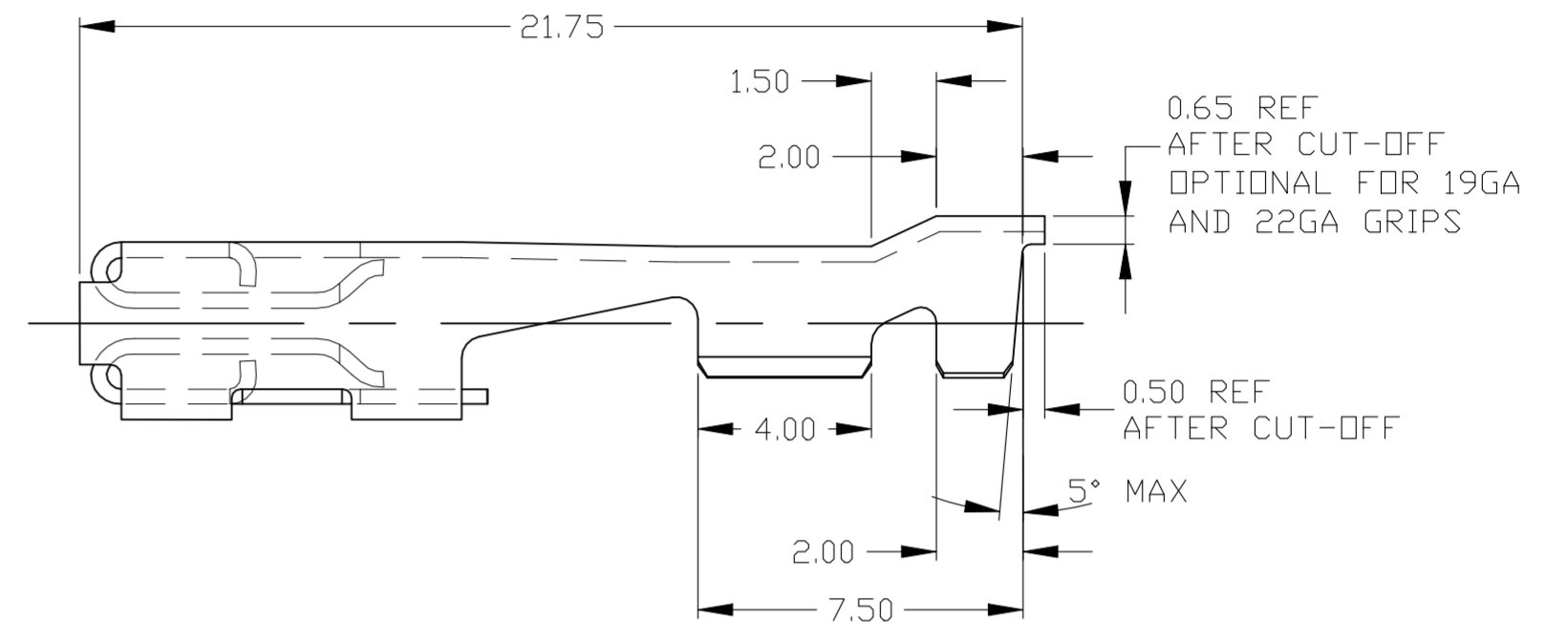


REVISIONS					
P	LTR	DESCRIPTION	DATE	DWN	APVD
D		REVISED PER ECO-18-012722	14AUG2018	JMS	WW
D1		REVISED PER ECO-20-012418	10SEP2020	AP	WW

UNLESS OTHERWISE SPECIFIED:
 1. CA19400 BRASS, TENSILE STRENGTH: 379-455 MPg (55-66 KSI) (HARDNESS REF R30T 55-62)



OBSOLETE

TE P/N	TE P/N	TE P/N	WIRE SIZE	INSERTION-EXTRACTION REQUIREMENTS
-	1438231-7	-	22	USING A POLISHED STEEL BLADE 6.22 [.245] X 0.81 [.032] FIRST INSERTION FORCE MAX 10.0N [2.2LBS] OR ANY INDIVIDUAL READING TO A DEPTH OF INSERTION OF 5.25/5.5 (UNGREASED AND GEASED)
-	1438231-6	-	19	
-	1438231-5	3-1438231-3	18	FOR S.P.C. WITH CPK OF 16.7 MIN MAX FIRST INSERTION 11.0N [2.42LBS] BOTH GREASED AND UNGREASED
1438231-8	1438231-4	3-1438231-2	14	
-	1438231-3	-	13	FOURTH EXTRACTION FORCE MIN 6.8N [15.8LBS] UNGREASED
-	1438231-2	-	11	
1438231-9	1438231-1	3-1438231-1	10	FOURTH EXTRACTION FORCE MIN 4.0N [0.89LBS] (GREASED)
TE P/N REWOUND	TE P/N UNGREASED	TE P/N GREASED	WIRE SIZE	NOTE: REF ABOVE FOR INSERTION DEPTH
ALTERNATE WINDING	STANDARD WINDING			

THIS DRAWING IS A CONTROLLED DOCUMENT.		DWN	JR BUSSARD	09MAY2003	TE Connectivity Ltd.
		CHK	DM REVAK	09MAY2003	
		APVD	DM REVAK	09MAY2003	
		PRODUCT SPEC			
DIMENSIONS: mm		TOLERANCES UNLESS OTHERWISE SPECIFIED:		NAME	
		0 PLC ± -		CHART	
		1 PLC ± -		250 TERMINAL	
		2 PLC ± 0.25		FEMALE	
		3 PLC ± -		SIZE	
		4 PLC ± -		CAGE CODE	
		ANGLES ± 2°		DRAWING NO	
MATERIAL		FINISH		RESTRICTED TO	
				SCALE	
		WEIGHT 0.000000		SHEET 1 of 1	
		CUSTOMER DRAWING		REV D1	

X-ON Electronics

Largest Supplier of Electrical and Electronic Components

Click to view similar products for [Automotive Connectors](#) category:

Click to view products by [TE Connectivity](#) manufacturer:

Other Similar products are found below :

[003-018-000](#) [60403001](#) [60993906-B](#) [M902-2131](#) [M902-2161](#) [M902-2344](#) [72.330.1035.1](#) [73.353.4028.0](#) [F119300-B](#) [F166900](#) [F258300-B](#)
[F358300-B](#) [F407400](#) [F444110](#) [F487000](#) [F509500B-B](#) [827153-1](#) [8N1515-32-24P](#) [9-1326729-8](#) [925474-1](#) [928905-1](#) [964562-4](#) [968782-1](#)
[GT17SA-8DS-HU](#) [98891-1012](#) [98947-1016](#) [12004147](#) [12004475-L](#) [12010290](#) [12010309-B](#) [12015454](#) [12020219-B](#) [12041318-B](#) [12052225-](#)
[L](#) [12052466](#) [12064869](#) [12004327-B](#) [12015308](#) [12015384](#) [12015909](#) [1-21030-1](#) [12041254](#) [12041318](#) [12047946-B](#) [12047957](#) [12047957-L](#)
[12059473](#) [12066261](#) [12110546](#) [12110546-B](#)