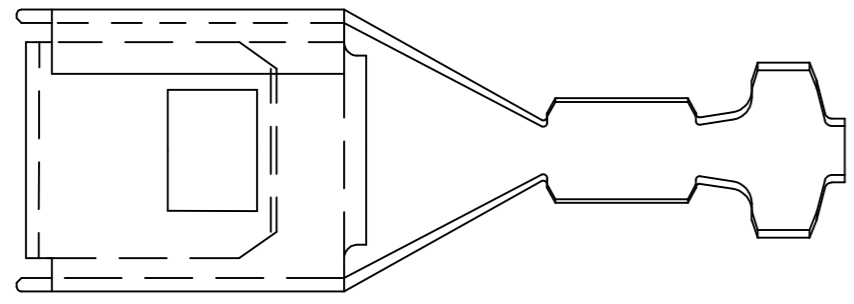
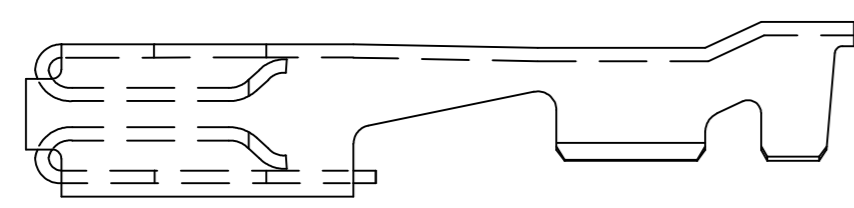


THIS DRAWING IS UNPUBLISHED. RELEASED FOR PUBLICATION --, 2018.
 © COPYRIGHT 2018 TE Connectivity ALL RIGHTS RESERVED.

REVISIONS					
P	LTR	DESCRIPTION	DATE	DWN	APVD
D		REVISED PER ECO-18-012722	14AUG2018	JMS	WW

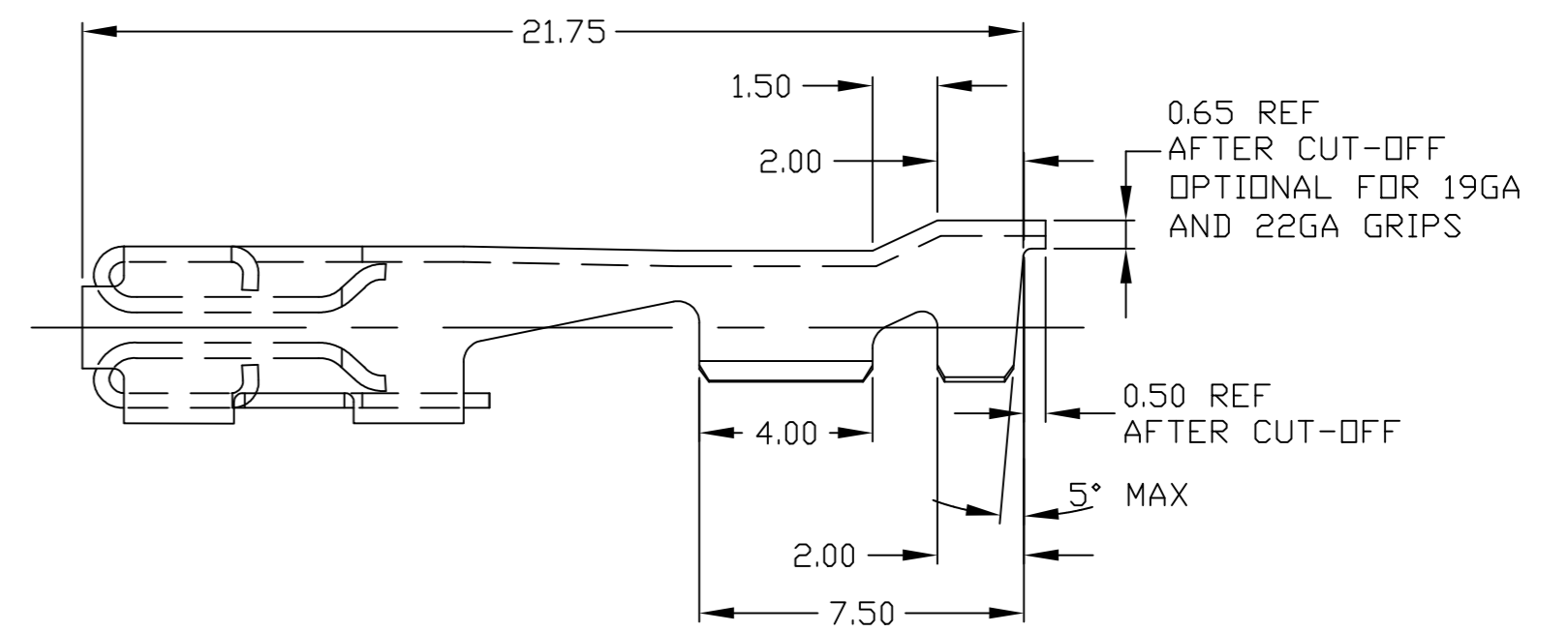
UNLESS OTHERWISE SPECIFIED:
 1. CA19400 BRASS, TENSILE STRENGTH: 379-455 MPg (55-66 KSI) (HARDNESS REF R30T 55-62)

D

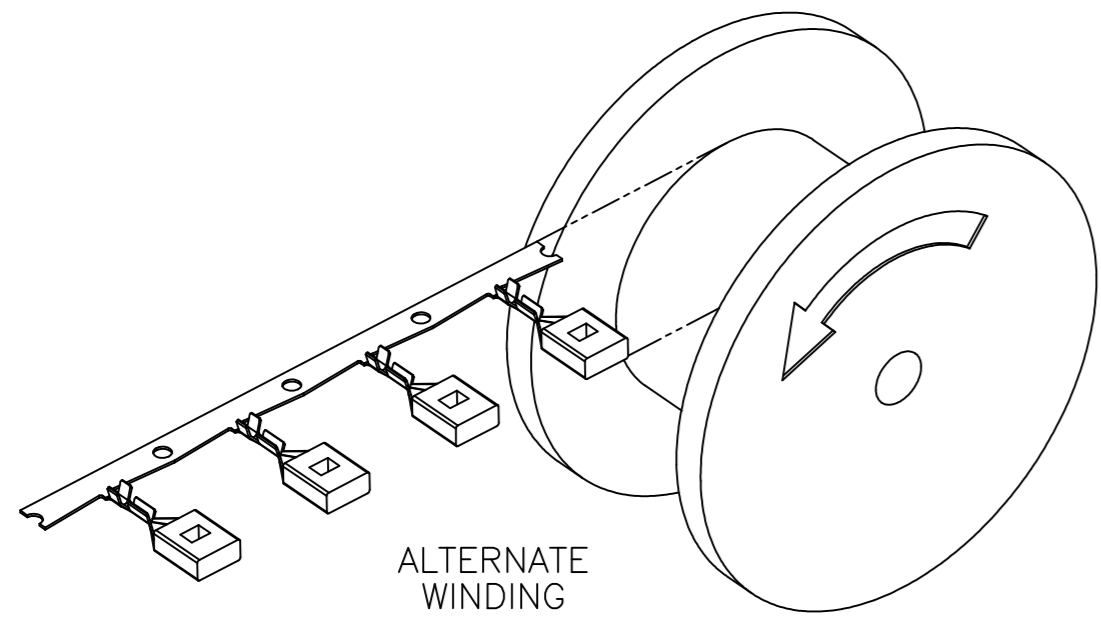


OPTIONAL CONSTRUCTION SHOWN

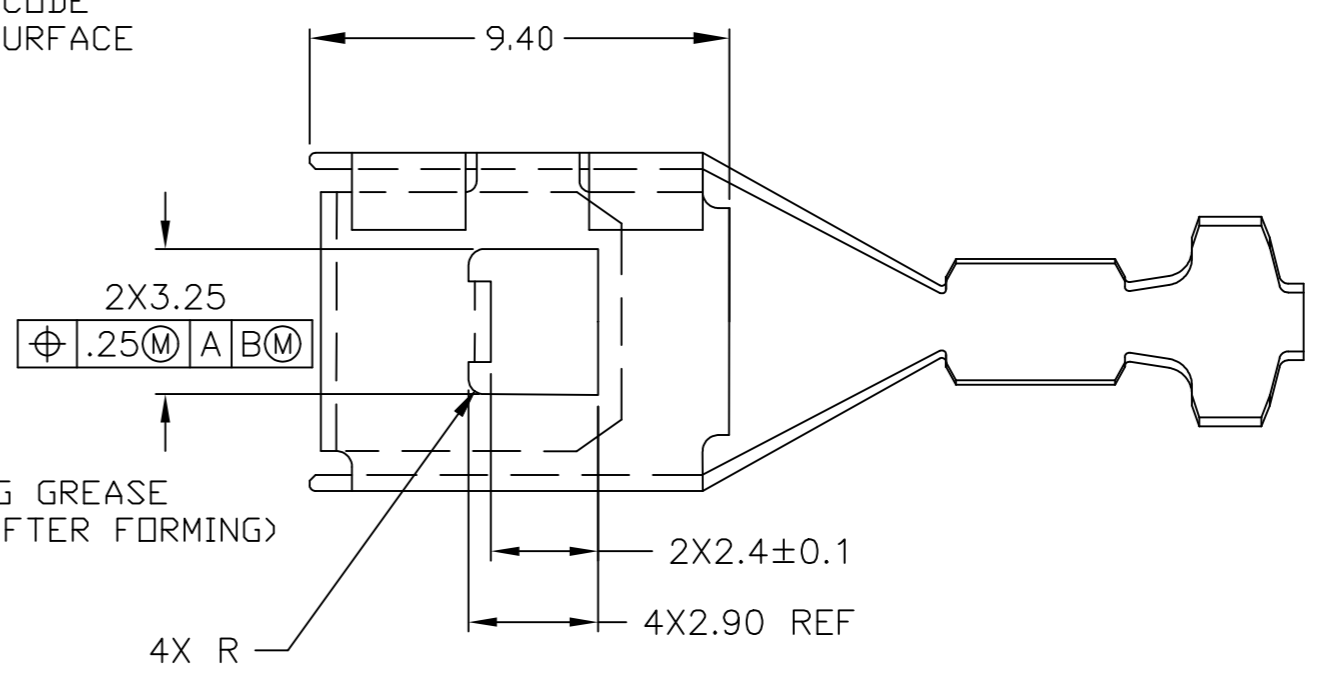
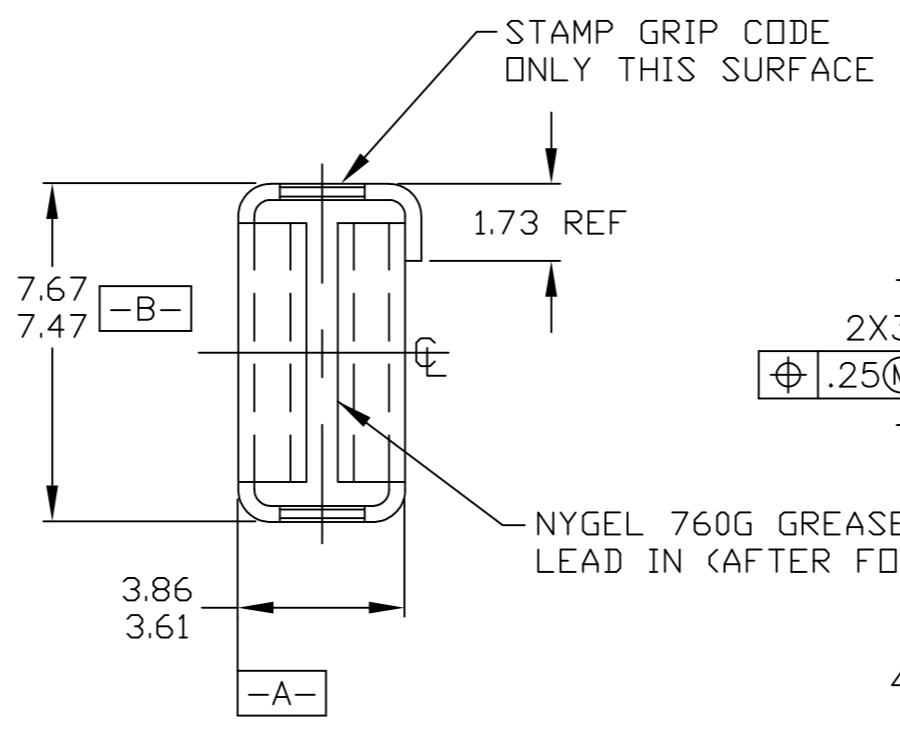
C



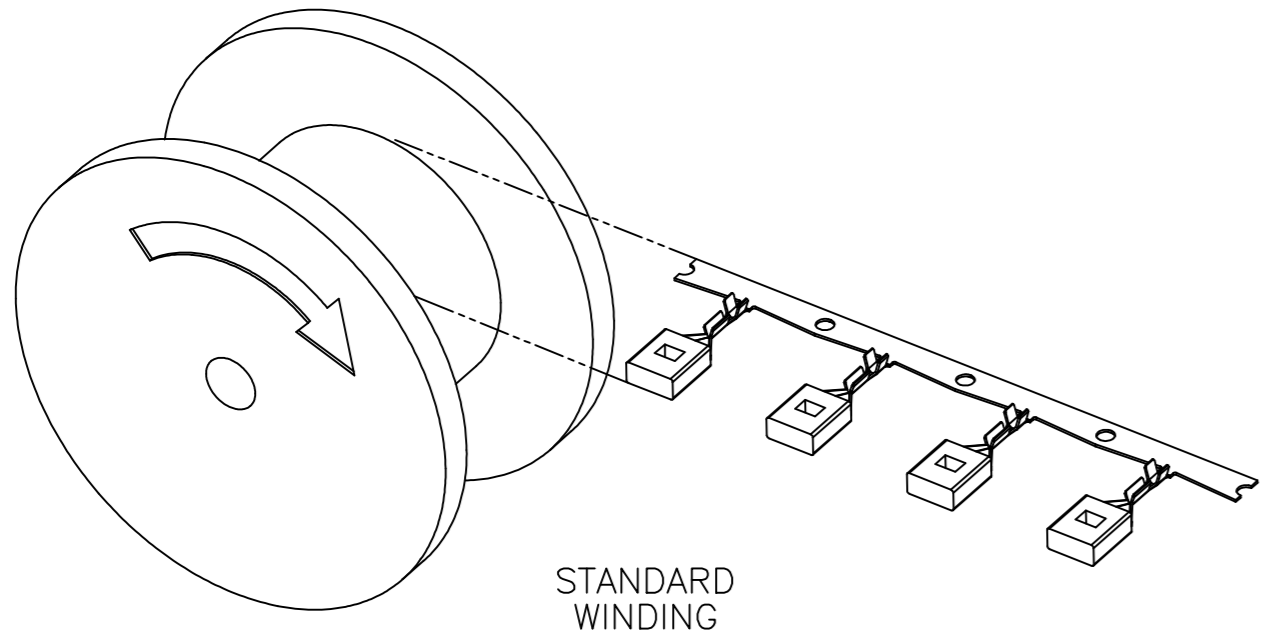
B



ALTERNATE WINDING



A



STANDARD WINDING

Part No.	TE P/N	TE P/N	TE P/N	Wire Size	Insertion-Extraction Requirements
-	1438231-7	-	22		USING A POLISHED STEEL BLADE 6.22 [.245] X 0.81 [.032] FIRST INSERTION FORCE MAX 10.0N [2.2LBS] OR ANY INDIVIDUAL READING TO A DEPTH OF INSERTION OF 5.25/5.5 (UNGREASED AND GEASED)
-	1438231-6	-	19		
-	1438231-5	3-1438231-3	18		
1438231-8	1438231-4	3-1438231-2	14		
-	1438231-3	-	13		FOR S.P.C. WITH CPK OF 16.7 MIN MAX FIRST INSERTION 11.0N [2.42LBS] BOTH GREASED AND UNGREASED
-	1438231-2	-	11		
1438231-9	1438231-1	3-1438231-1	10		FOURTH EXTRACTION FORCE MIN 6.8N [15.8LBS] UNGREASED FOURTH EXTRACTION FORCE MIN 4.0N [0.89LBS] (GREASED)
TE P/N REWOUND	TE P/N UNGREASED	TE P/N GREASED	WIRE SIZE		NOTE: REF ABOVE FOR INSERTION DEPTH
ALTERNATE WINDING	STANDARD WINDING				

THIS DRAWING IS A CONTROLLED DOCUMENT.

DIMENSIONS: mm	TOLERANCES UNLESS OTHERWISE SPECIFIED:	DWN: JR BUSSARD 09MAY2003	TE Connectivity Ltd.
0 PLC ± -	1 PLC ± -	CHK: DM REVAK 09MAY2003	
2 PLC ± 0.25	3 PLC ± -	APVD: DM REVAK 09MAY2003	CHART 250 TERMINAL FEMALE
4 PLC ± -	ANGLES ± 2°	PRODUCT SPEC	SIZE: A2 CAGE CODE: 00779 DRAWING NO: C=1438231 RESTRICTED TO: -
MATERIAL: -	FINISH: -	APPLICATION SPEC: -	WEIGHT: 0.000000 SCALE: 5:1 SHEET: 1 of 1 REV: D
CUSTOMER DRAWING			

X-ON Electronics

Largest Supplier of Electrical and Electronic Components

Click to view similar products for [Terminals](#) category:

Click to view products by [TE Connectivity](#) manufacturer:

Other Similar products are found below :

[HT-13-10](#) [71M-250-32-NB](#) [01-2065-1-0216](#) [00581P0075](#) [M10-10RX](#) [M10BCK](#) [60205-1](#) [604200-1](#) [60598-1-CUT-TAPE](#) [60617-1-C](#) [60873-1](#) [M14-516R/SK](#) [M14-6RSX](#) [M18-10FLX](#) [M18-8FBX](#) [M18-8R/LX](#) [M18BCK](#) [61314-6-C](#) [61-S](#) [61-SN-A](#) [62-NBM-A](#) [63-S](#) [640179-1](#) [640917-2-CUT-TAPE](#) [6501550002](#) [66107-2-C](#) [66107-4-C](#) [696683-1](#) [696834-1](#) [696861-1](#) [696931-1](#) [696999-1](#) [M8-516RK](#) [M86700006](#) [MA250DMFMX-A](#) [701-2007](#) [701-2307](#) [701-7761-03](#) [70F-110-32-PB](#) [718-N-A](#) [71M-187-20-NBL](#) [71M-250-32-NBL](#) [72F-187-20-NBL](#) [72M-250-32-NBL](#) [7310](#) [73F-250-32](#) [73F-250-32-NBL](#) [73F-250-32-NL](#) [F14-10C](#) [F-1M](#)