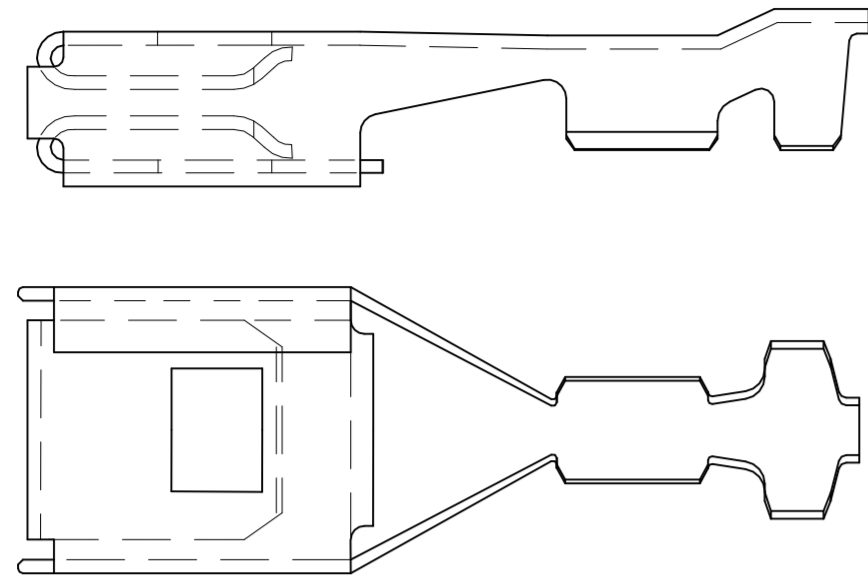


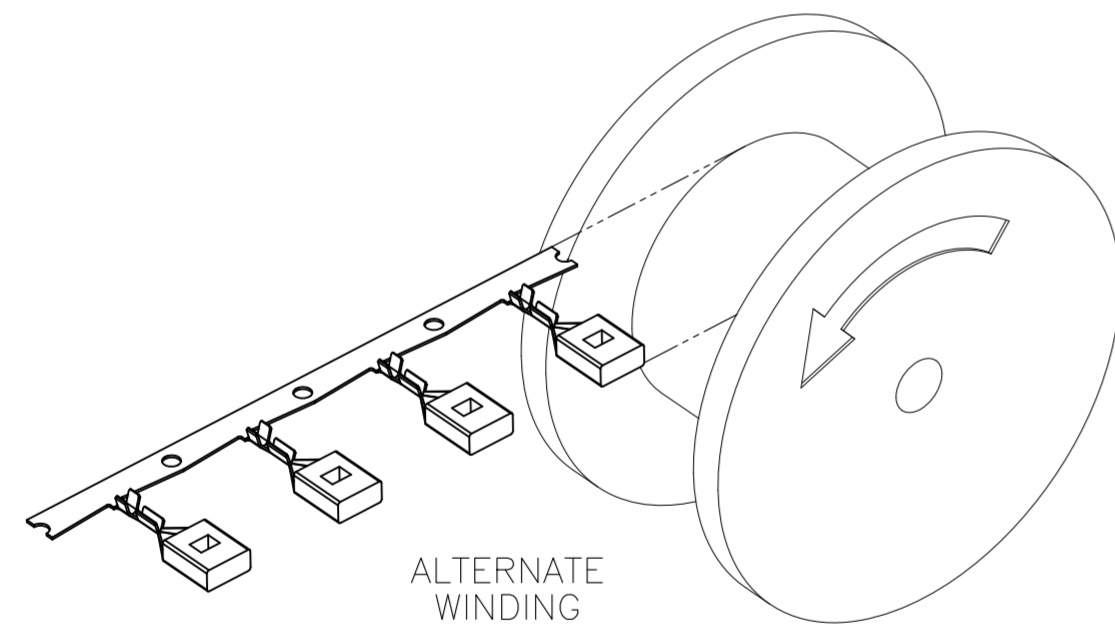
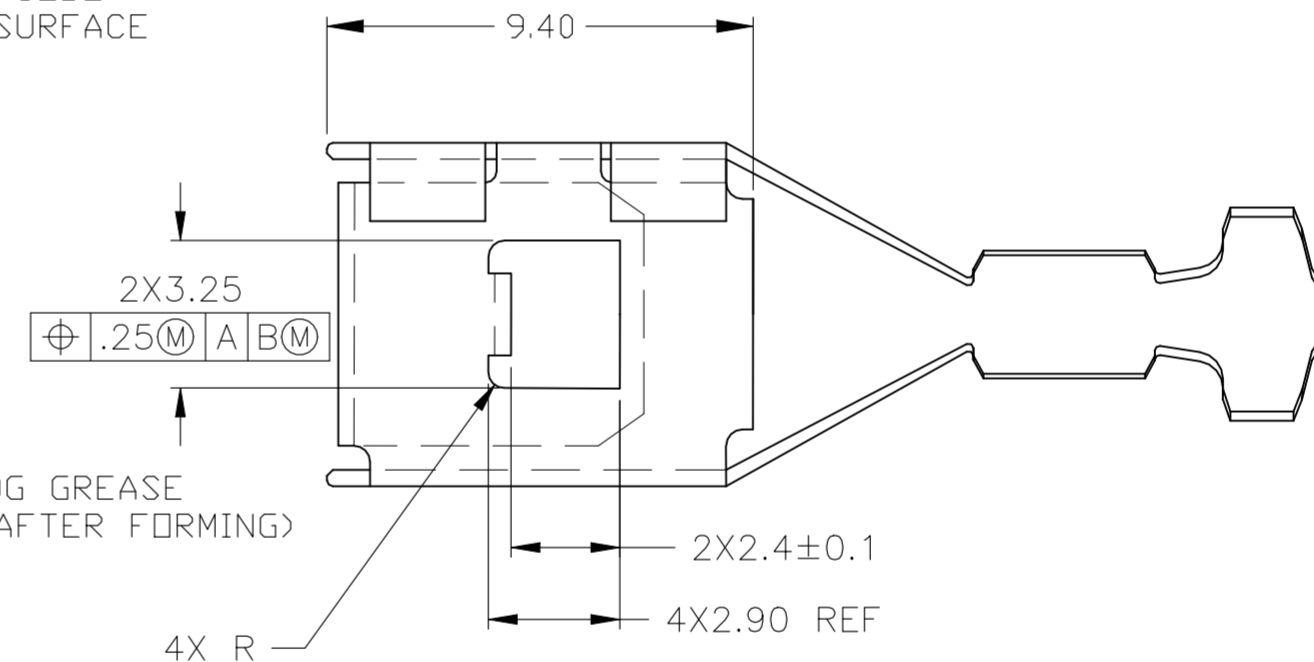
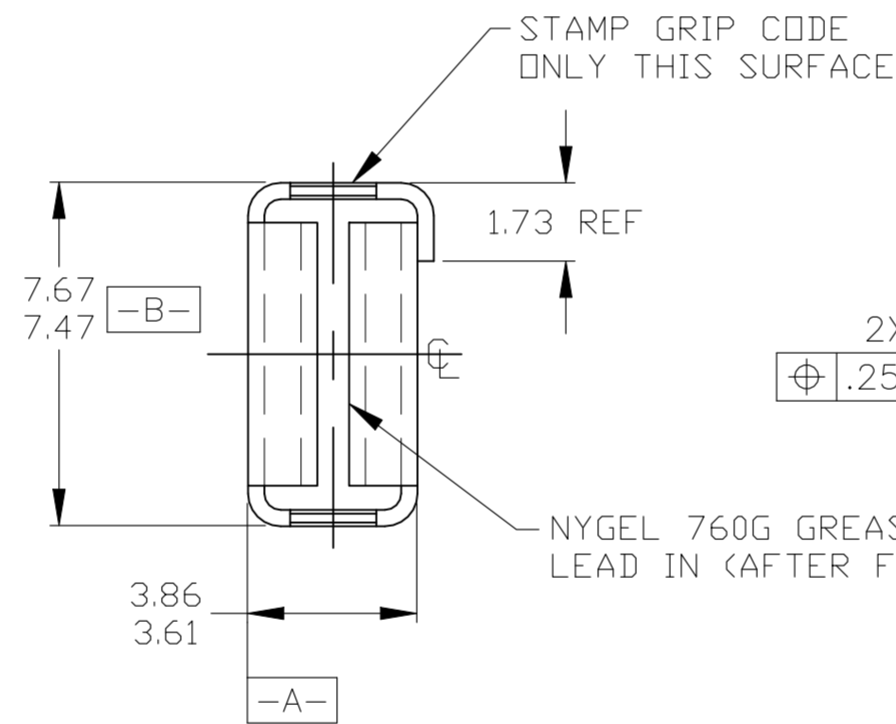
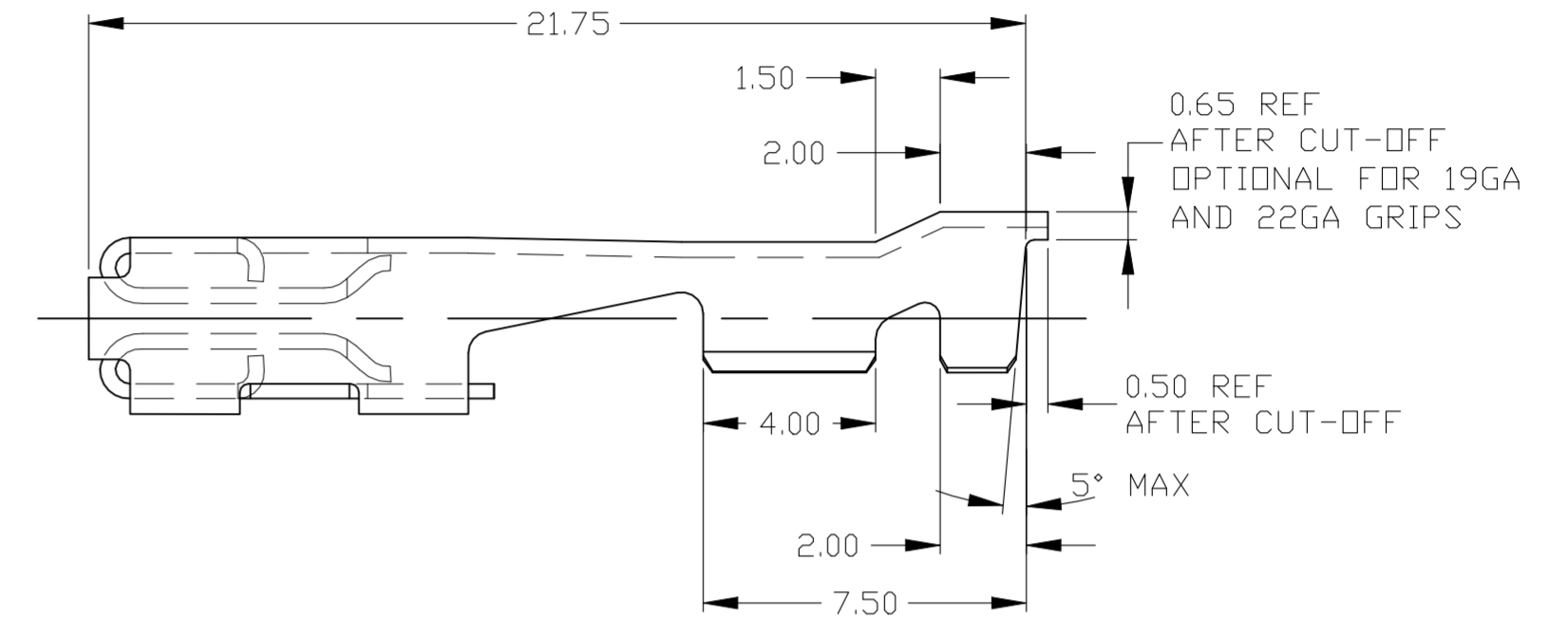
THIS DRAWING IS UNPUBLISHED. RELEASED FOR PUBLICATION - .2018.  
 © COPYRIGHT 2018 TE Connectivity ALL RIGHTS RESERVED.

REVISIONS					
P	LTR	DESCRIPTION	DATE	DWN	APVD
D		REVISED PER ECO-18-012722	14AUG2018	JMS	WW
D1		REVISED PER ECO-20-012418	10SEP2020	AP	WW

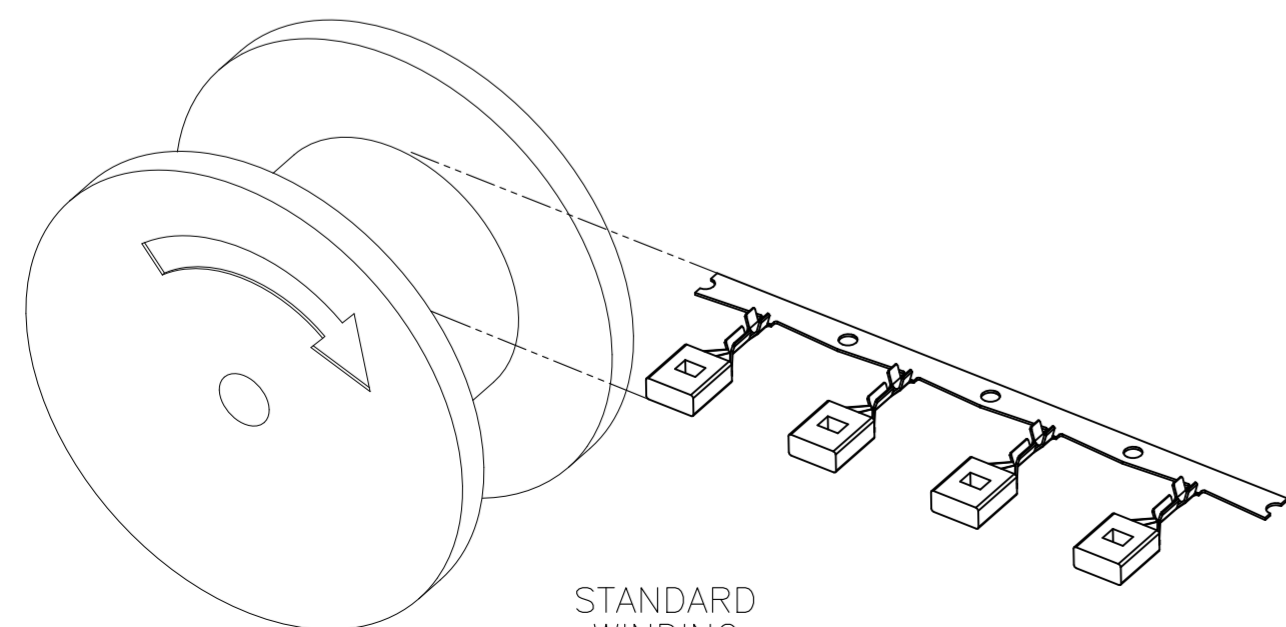
UNLESS OTHERWISE SPECIFIED:  
 1. CA19400 BRASS, TENSILE STRENGTH: 379-455 MPg (55-66 KSI) (HARDNESS REF R30T 55-62)



OPTIONAL CONSTRUCTION SHOWN



ALTERNATE WINDING



STANDARD WINDING

OBSOLETE

TE P/N	TE P/N	TE P/N	WIRE SIZE	INSERTION-EXTRACTION REQUIREMENTS
-	1438231-7	-	22	USING A POLISHED STEEL BLADE 6.22 [.245] X 0.81 [.032] FIRST INSERTION FORCE MAX 10.0N [2.2LBS] OR ANY INDIVIDUAL READING TO A DEPTH OF INSERTION OF 5.25/5.5 (UNGREASED AND GEASED)
-	1438231-6	-	19	
-	1438231-5	3-1438231-3	18	FOR S.P.C. WITH CPK OF 16.7 MIN MAX FIRST INSERTION 11.0N [2.42LBS] BOTH GREASED AND UNGREASED
1438231-8	1438231-4	3-1438231-2	14	
-	1438231-3	-	13	FOURTH EXTRACTION FORCE MIN 6.8N [15.8LBS] UNGREASED
-	1438231-2	-	11	
1438231-9	1438231-1	3-1438231-1	10	FOURTH EXTRACTION FORCE MIN 4.0N [0.89LBS] (GREASED)
TE P/N REWOUND	TE P/N UNGREASED	TE P/N GREASED	WIRE SIZE	NOTE: REF ABOVE FOR INSERTION DEPTH
ALTERNATE WINDING	STANDARD WINDING			

THIS DRAWING IS A CONTROLLED DOCUMENT.		DWN	JR BUSSARD	09MAY2003	TE Connectivity Ltd.
DIMENSIONS: mm		CHK	DM REVAK	09MAY2003	
TOLERANCES UNLESS OTHERWISE SPECIFIED:		APVD	DM REVAK	09MAY2003	
0 PLC ± - 1 PLC ± - 2 PLC ± 0.25 3 PLC ± - 4 PLC ± - ANGLES ± 2°		PRODUCT SPEC	-	-	
MATERIAL	FINISH	WEIGHT	0.000000	SCALE	5:1
CUSTOMER DRAWING		SIZE	A2	CAGE CODE	00779
		DRAWING NO	C=1438231		RESTRICTED TO
		SHEET	1	OF 1	REV
		REV	D1		

## X-ON Electronics

Largest Supplier of Electrical and Electronic Components

*Click to view similar products for [Automotive Connectors](#) category:*

*Click to view products by [TE Connectivity](#) manufacturer:*

Other Similar products are found below :

[003-018-000](#) [60403001](#) [60993906-B](#) [M902-2131](#) [M902-2161](#) [72.330.1035.1](#) [73.353.4028.0](#) [F119300-B](#) [F166900](#) [F258300-B](#) [F358300-B](#)  
[F407400](#) [F444110](#) [F487000](#) [F509500B-B](#) [827153-1](#) [8N1515-32-24P](#) [9-1326729-8](#) [925474-1](#) [928905-1](#) [964562-4](#) [968782-1](#) [GT17SA-8DS-](#)  
[HU](#) [98891-1012](#) [98947-1016](#) [12004147](#) [12004475-L](#) [12010290](#) [12010309-B](#) [12015454](#) [12020219-B](#) [12020308](#) [12041318-B](#) [12052225-L](#)  
[12052466](#) [12059125](#) [12064869](#) [12004327-B](#) [12010503-B](#) [12015308](#) [12015384](#) [12015909](#) [1-21030-1](#) [12041254](#) [12041318](#) [12047946-B](#)  
[12047957](#) [12047957-L](#) [12059473](#) [12066261](#)