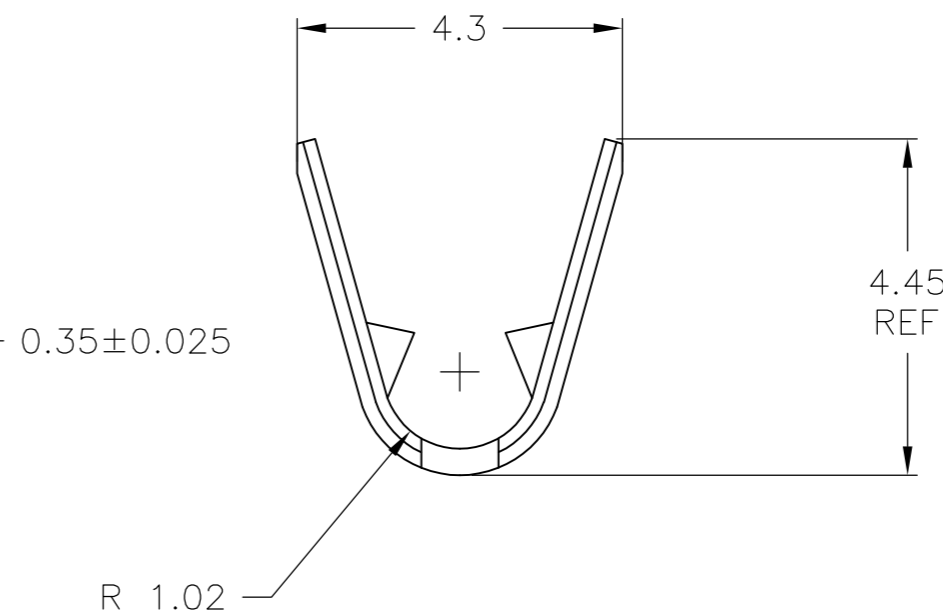
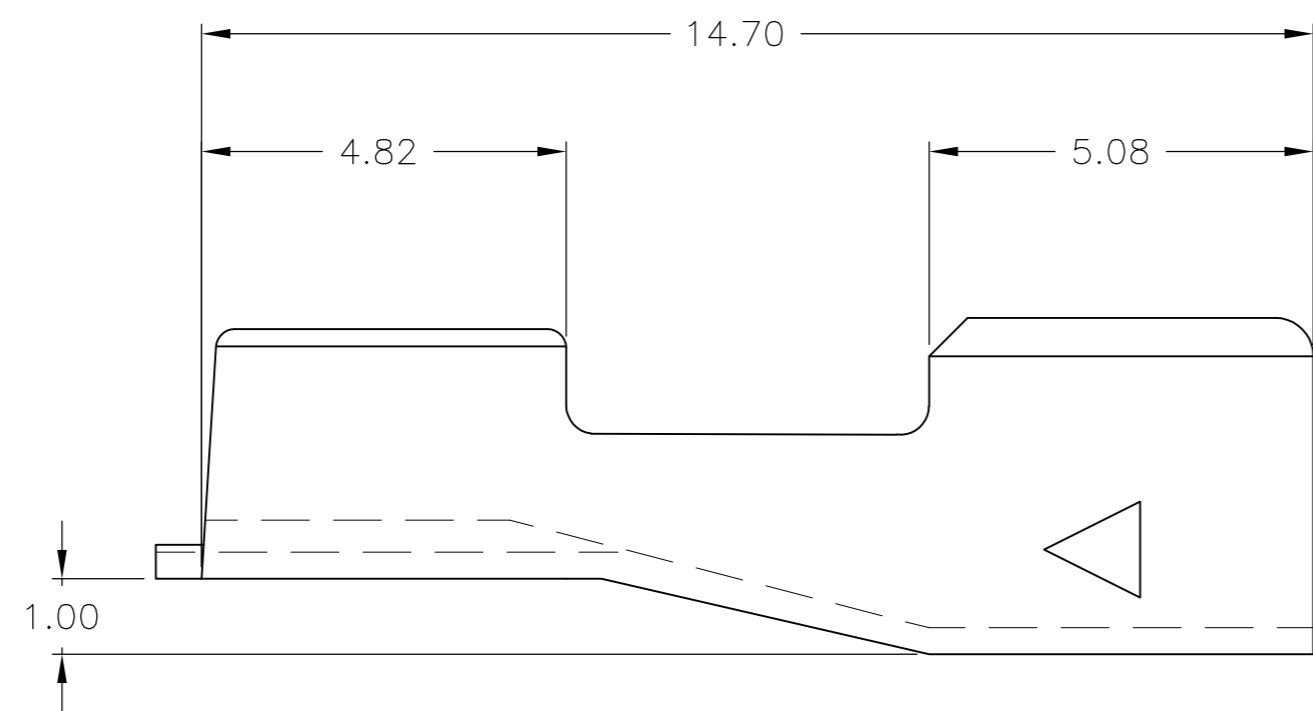
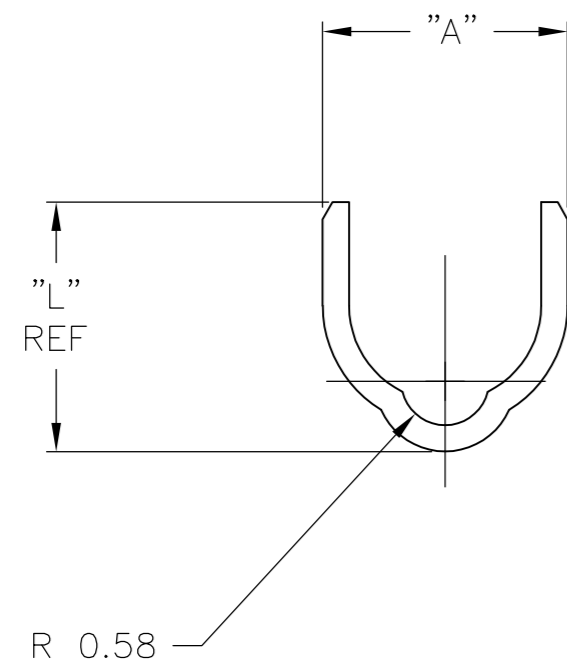
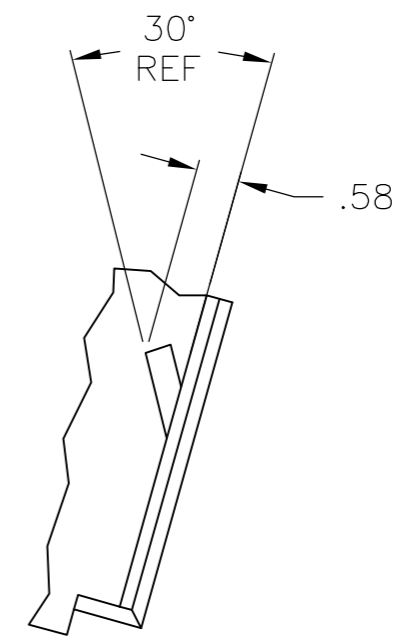
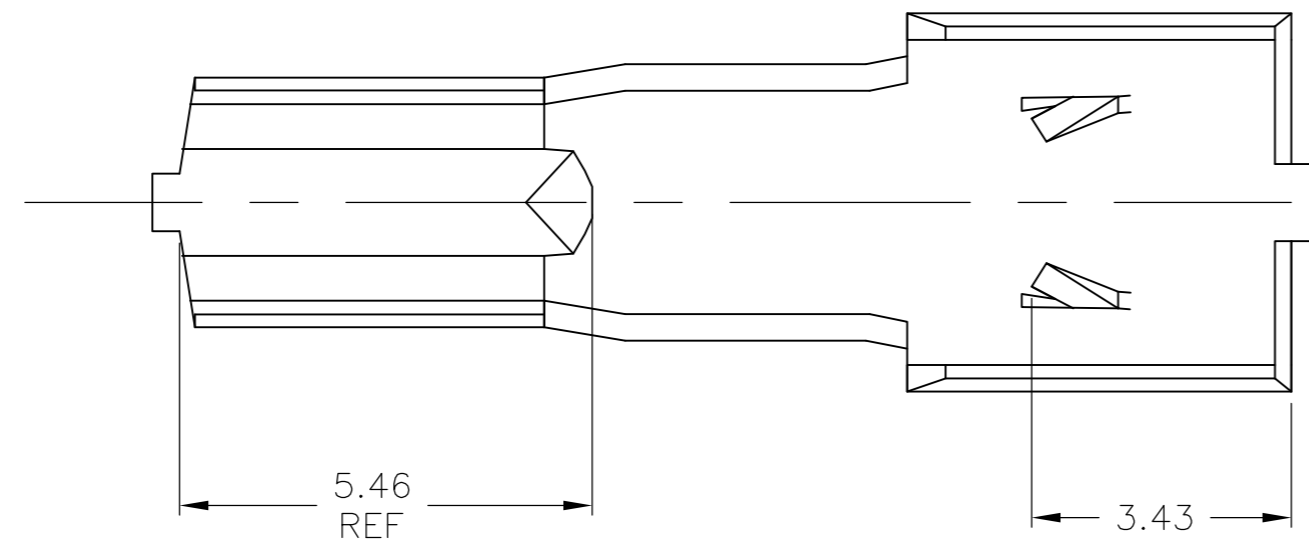


THIS DRAWING IS UNPUBLISHED. RELEASED FOR PUBLICATION
 © COPYRIGHT BY TYCO ELECTRONICS CORPORATION. ALL RIGHTS RESERVED.

LOC		DIST		REVISIONS			
P	LTR	DESCRIPTION		DATE	DWN	APVD	
	E	REV PER 0G3A-0696-03		04NOV03	JR	GP	
	E1	REVISED PER ECO-10-000443		18JAN10	KK	HMR	
	E2	REVISED PER ECR-12-021718		18DEC12	F.M	YHM	

- 1 INSULATED HEATER WIRE: #18-16 AWG.
HEATER WIRE CORE DIA: 1.02 MAX
- 2 REF CRIMP INFO: WIRE BBL .090, F TYPE
INSULATION BBL .120, F TYPE
- ③ TRAVERSE WINDING ON METAL REEL.
- ④ IN-LINE WINDING ON A CARDBOARD REEL
- ⑤ OBSOLETE PARTS: OBSOLETE CIS STREAMLINING PER D.RENAUD/D.SINISI



PCS/REEL	"L"	"A"	NOTES	STD. WIRE SIZE	FINISH	PART NO.
7,500	4.44	3.8	③	#14-12 AWG	PRE-TIN	1438246-6
5,000	4.44	3.8	④	#14-12 AWG	-	1438246-5
5,000	3.18	3.3	④	#18-16 AWG	-	1438246-4
7,500	4.44	3.8	③	#14-12 AWG	-	1438246-3
5,000	3.18	3.3	④	#18-16 AWG	PRE-TIN	1438246-2
12,500	3.18	3.3	③	#18-16 AWG	-	1438246-1

THIS DRAWING IS A CONTROLLED DOCUMENT.

DWN: B.P. 21MAY2002
 CHK: F.M. 21MAY02
 APVD: Y.H.M. 21MAY02

Tyco Electronics Corporation
 Harrisburg, PA 17105

NAME: SPLICE, BUTT, HEATER WIRE

SIZE: A2 CAGE CODE: 00779 DRAWING NO: C=1438246 RESTRICTED TO: -

MATERIAL: 081M BRASS FINISH: SEE TABLE WEIGHT: -

CUSTOMER DRAWING SCALE: 10:1 SHEET: 1 OF 1 REV: E2

X-ON Electronics

Largest Supplier of Electrical and Electronic Components

Click to view similar products for [Terminals](#) category:

Click to view products by [TE Connectivity](#) manufacturer:

Other Similar products are found below :

[00-054007-01074-6](#) [00-054007-70206-1](#) [00-054007-70210-8](#) [00-054007-70217-7](#) [00-054007-70226-9](#) [00-054007-70228-3](#) [00-054007-70248-1](#) [00-054007-70256-6](#) [00-054007-70301-3](#) [00-054007-70316-7](#) [0-0320562-0](#) [00-054007-49560-4](#) [00-054007-70209-2](#) [00-054007-70225-2](#) [00-054007-70227-6](#) [00-054007-70231-3](#) [00-054007-70241-2](#) [00-054007-70242-9](#) [00-054007-70244-3](#) [00-054007-70246-7](#) [00-054007-70263-4](#) [00-054007-70288-7](#) [00-054007-70290-0](#) [00-054007-70300-6](#) [00-054007-70304-4](#) [01-2065-1-0216](#) [01-2900-1-04412](#) [00581P0075](#) [600TS-10](#) [60205-1](#) [604200-1](#) [605601-1](#) [60598-1-CUT-TAPE](#) [61314-6-C](#) [61810-3](#) [61-S](#) [61-SN](#) [626-0194](#) [62-NBM-A](#) [62-SN](#) [62-SP](#) [63-S](#) [640179-1](#) [M55155/059I03](#) [M55155/079C01](#) [M55155/099H02](#) [M55155/109H01](#) [M55155/109H02](#) [M55155/12XH05](#) [M55155/16XH02](#)