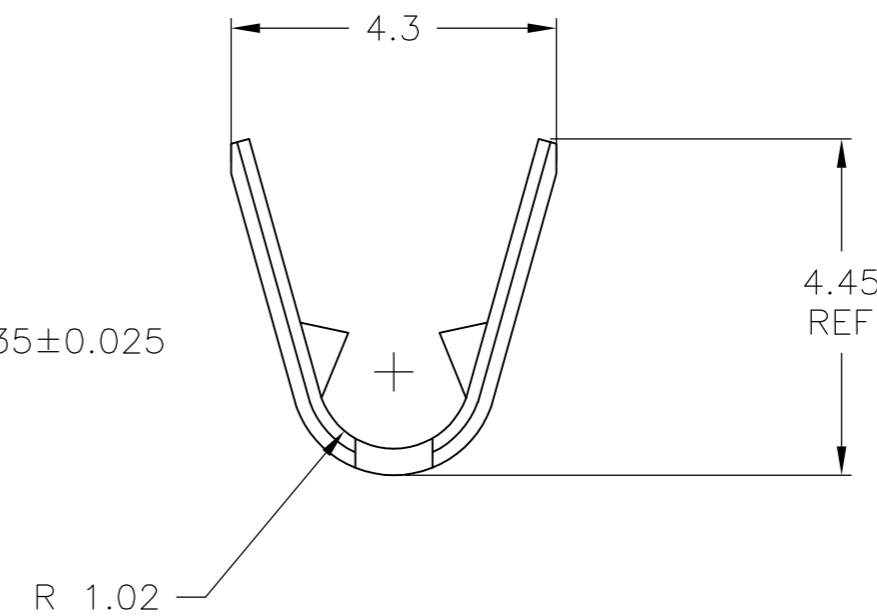
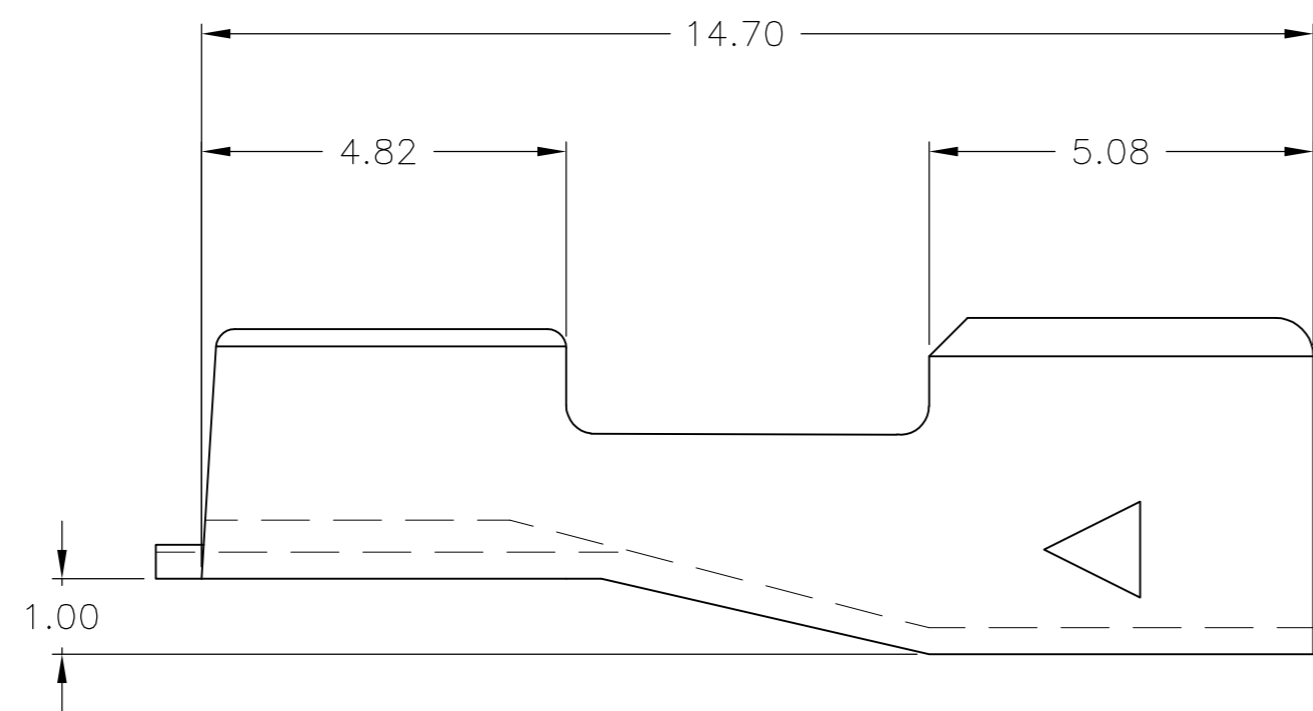
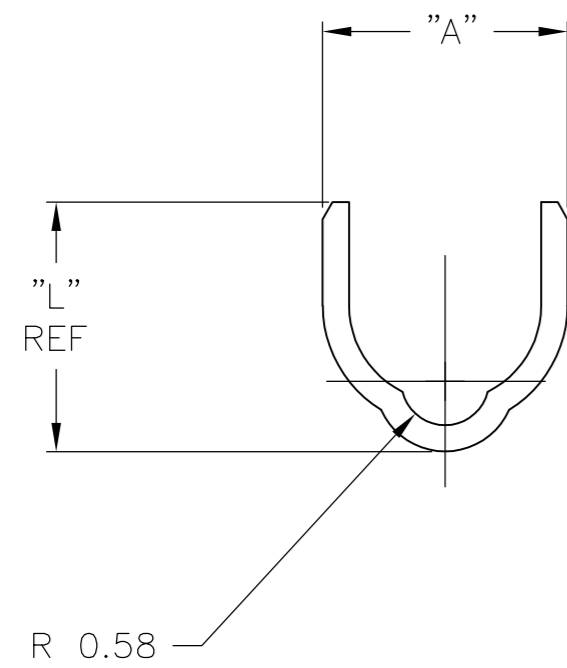
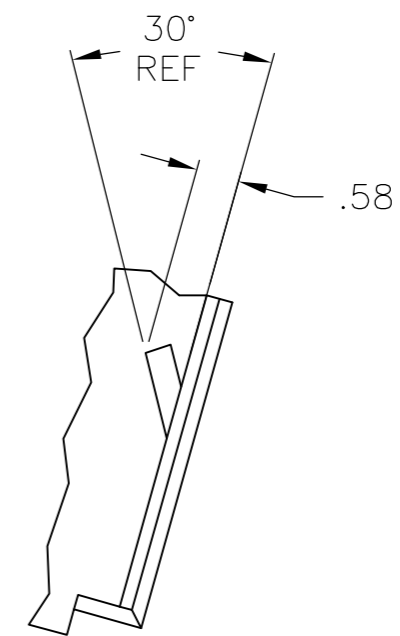
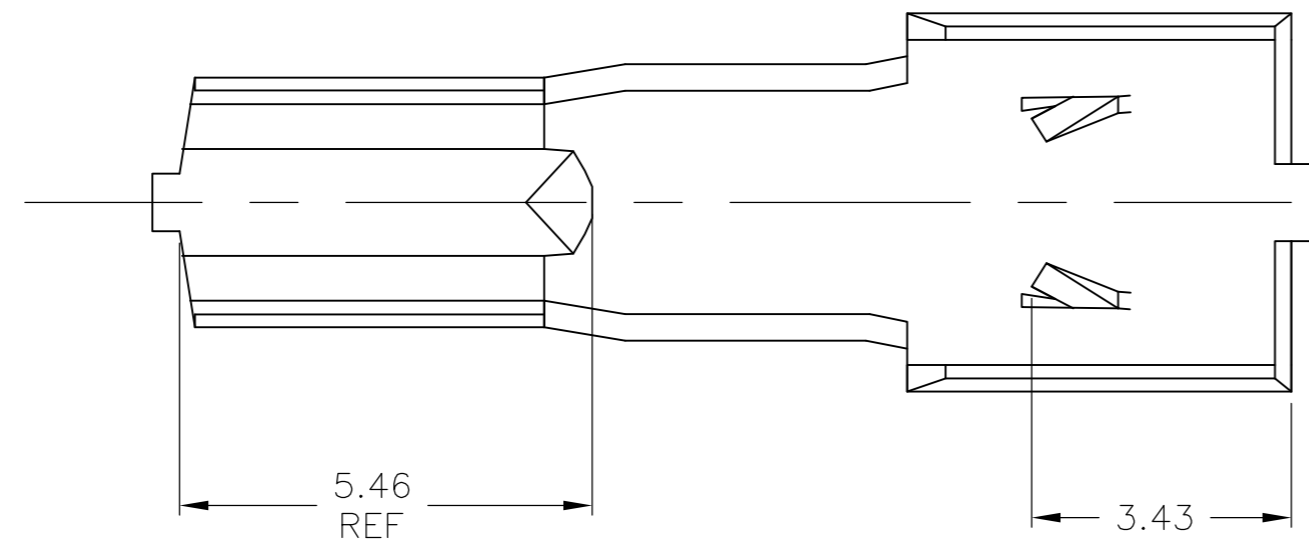


THIS DRAWING IS UNPUBLISHED. RELEASED FOR PUBLICATION
 © COPYRIGHT BY TYCO ELECTRONICS CORPORATION. ALL RIGHTS RESERVED.

LOC		DIST		REVISIONS			
P	LTR	DESCRIPTION		DATE	DWN	APVD	
	E	REV PER 0G3A-0696-03		04NOV03	JR	GP	
	E1	REVISED PER ECO-10-000443		18JAN10	KK	HMR	
	E2	REVISED PER ECR-12-021718		18DEC12	F.M	YHM	

- 1 INSULATED HEATER WIRE: #18-16 AWG.
HEATER WIRE CORE DIA: 1.02 MAX
- 2 REF CRIMP INFO: WIRE BBL .090, F TYPE
INSULATION BBL .120, F TYPE
- ③ TRAVERSE WINDING ON METAL REEL.
- ④ IN-LINE WINDING ON A CARDBOARD REEL
- ⑤ OBSOLETE PARTS: OBSOLETE CIS STREAMLINING PER D.RENAUD/D.SINISI



PCS/REEL	"L"	"A"	NOTES	STD. WIRE SIZE	FINISH	PART NO.
7,500	4.44	3.8	③	#14-12 AWG	PRE-TIN	1438246-6
5,000	4.44	3.8	④	#14-12 AWG	-	1438246-5
5,000	3.18	3.3	④	#18-16 AWG	-	1438246-4
7,500	4.44	3.8	③	#14-12 AWG	-	1438246-3
5,000	3.18	3.3	④	#18-16 AWG	PRE-TIN	1438246-2
12,500	3.18	3.3	③	#18-16 AWG	-	1438246-1

THIS DRAWING IS A CONTROLLED DOCUMENT.

DWN	B.P	21MAY2002	Tyco Electronics Corporation Harrisburg, PA 17105
CHK	F.M	21MAY02	
APVD	Y.H.M	21MAY02	
PRODUCT SPEC			
APPLICATION SPEC			NAME
			SPLICE, BUTT, HEATER WIRE
MATERIAL	081M BRASS	FINISH	SEE TABLE
WEIGHT	-	SCALE	A2 10:1
CUSTOMER DRAWING		SHEET	1 OF 1

RESTRICTED TO: -

REV E2

X-ON Electronics

Largest Supplier of Electrical and Electronic Components

Click to view similar products for [Terminals](#) category:

Click to view products by [TE Connectivity](#) manufacturer:

Other Similar products are found below :

[00-054007-01074-6](#) [00-054007-70206-1](#) [00-054007-70210-8](#) [00-054007-70217-7](#) [00-054007-70226-9](#) [00-054007-70228-3](#) [00-054007-70248-1](#) [00-054007-70256-6](#) [00-054007-70301-3](#) [00-054007-70316-7](#) [0-0320562-0](#) [00-054007-49560-4](#) [00-054007-70209-2](#) [00-054007-70225-2](#) [00-054007-70227-6](#) [00-054007-70231-3](#) [00-054007-70241-2](#) [00-054007-70242-9](#) [00-054007-70244-3](#) [00-054007-70246-7](#) [00-054007-70263-4](#) [00-054007-70288-7](#) [00-054007-70290-0](#) [00-054007-70300-6](#) [00-054007-70304-4](#) [01-2065-1-0216](#) [01-2900-1-04412](#) [00581P0075](#) [600TS-10](#) [60205-1](#) [604200-1](#) [605601-1](#) [60598-1-CUT-TAPE](#) [61314-6-C](#) [61810-3](#) [61-S](#) [61-SN](#) [626-0194](#) [62-NBM-A](#) [62-SN](#) [62-SP](#) [63-S](#) [640179-1](#) [M55155/059I03](#) [M55155/079C01](#) [M55155/099H02](#) [M55155/109H01](#) [M55155/109H02](#) [M55155/12XH05](#) [M55155/16XH02](#)