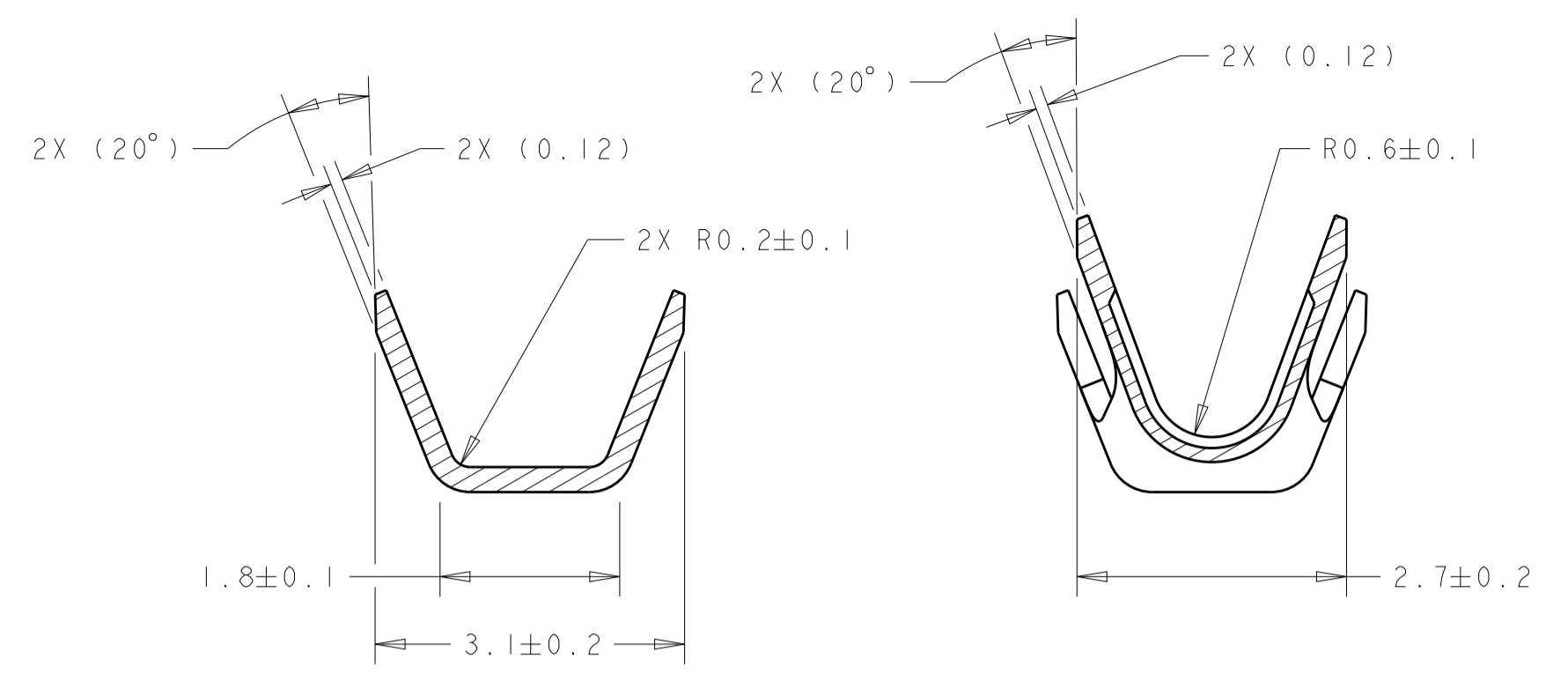
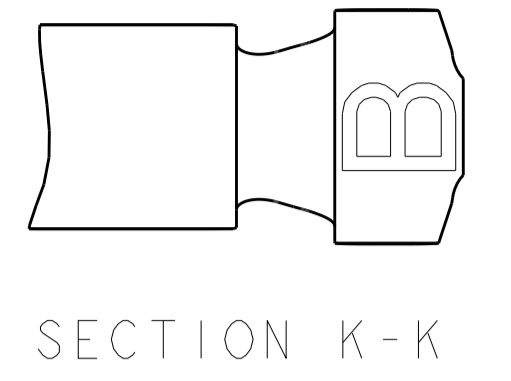


REVISIONS				
P.	LTN	DESCRIPTION	DATE	APP'D
F1		REVISED PER ECO-11-005030	11MAR2011	RK HMR
F2		REVISED PER ECO-15-010152	09JUL2015	DLD WTW
F3		REVISED PER ECO-15-017989	16DEC2015	DLD WTW

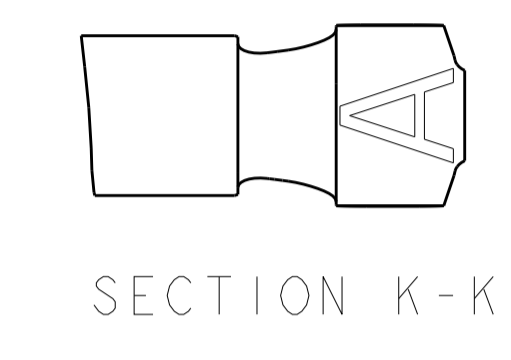


SECTION J-J SECTION H-H

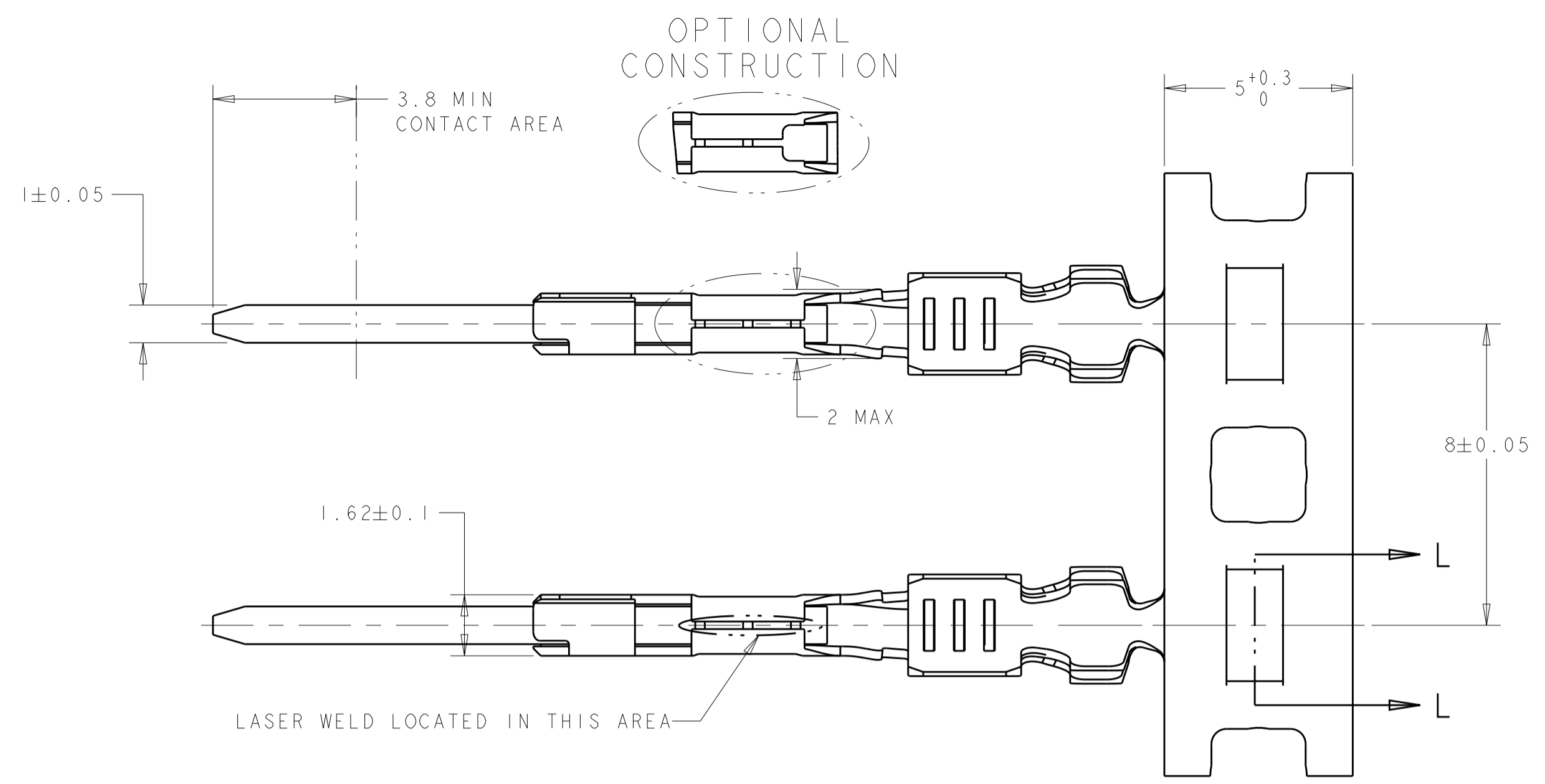
CRIMP B
WIRE CRIMP AREAS



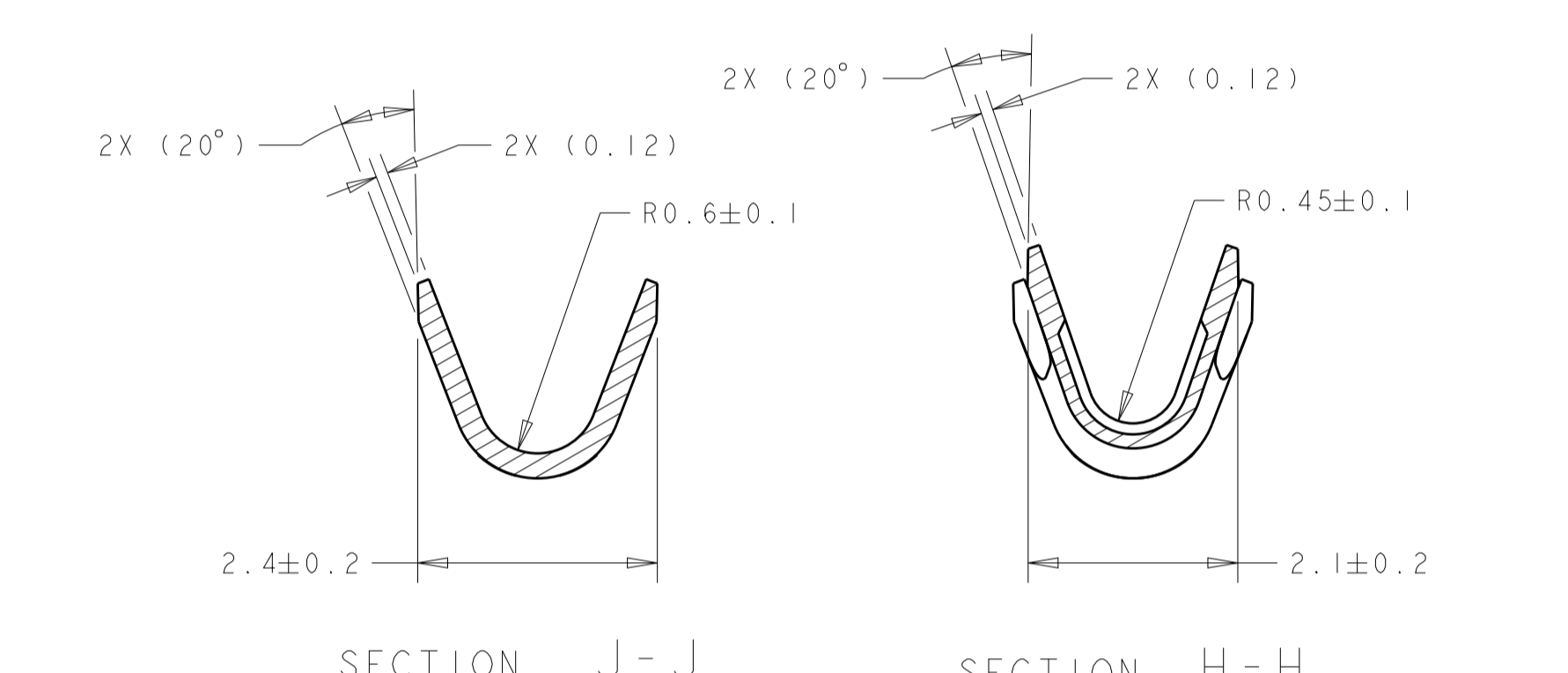
SECTION K-K



SECTION K-K

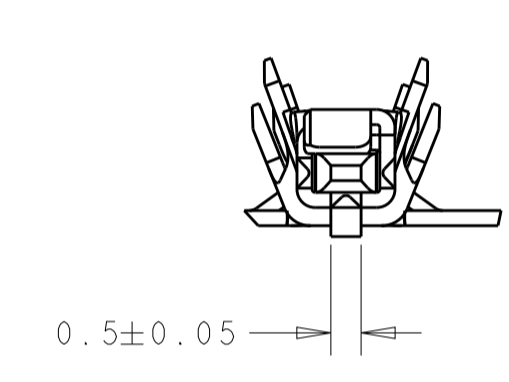


OPTIONAL
CONSTRUCTION

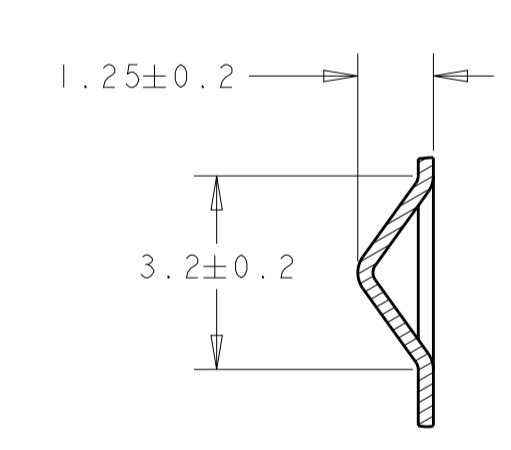


SECTION J-J SECTION H-H

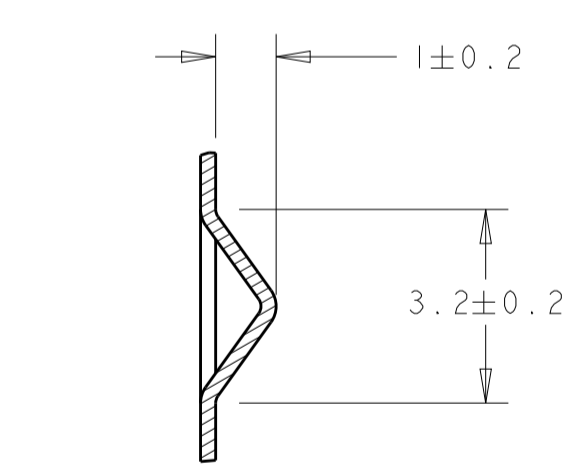
CRIMP A
WIRE CRIMP AREAS



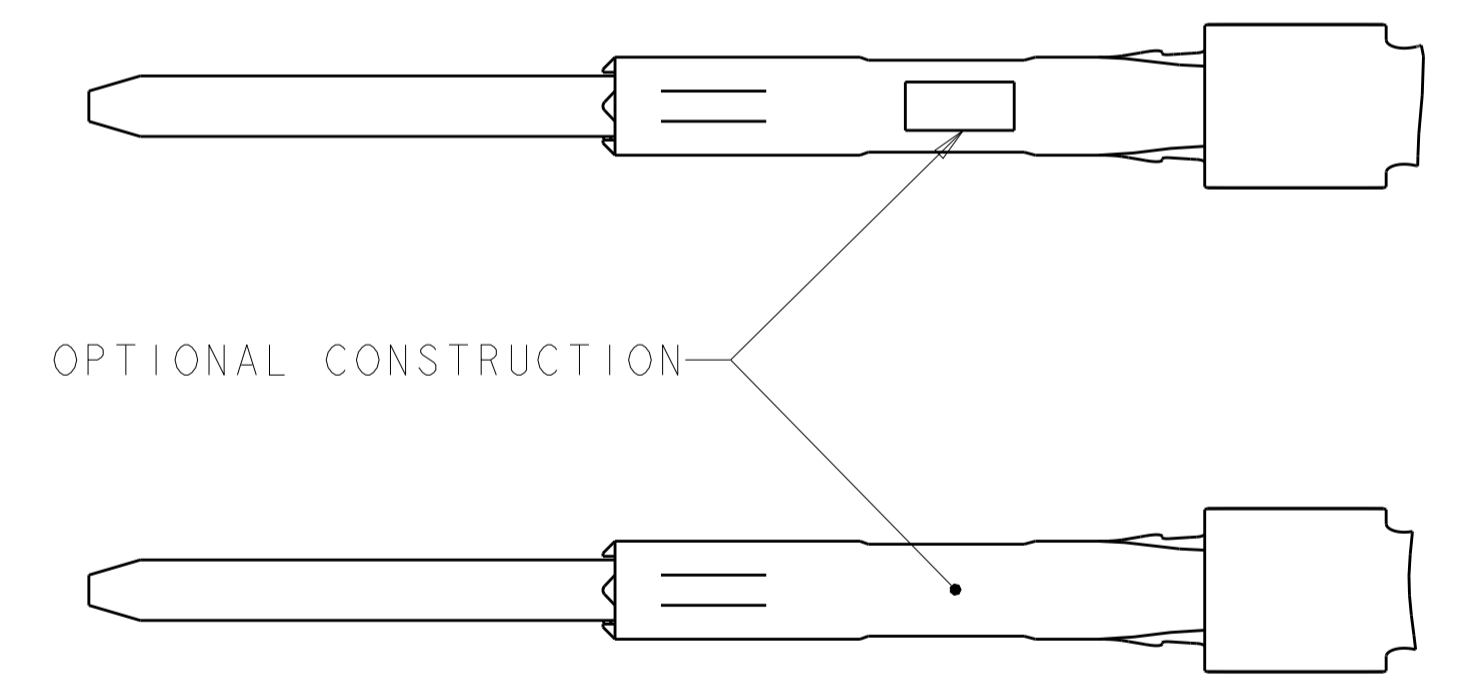
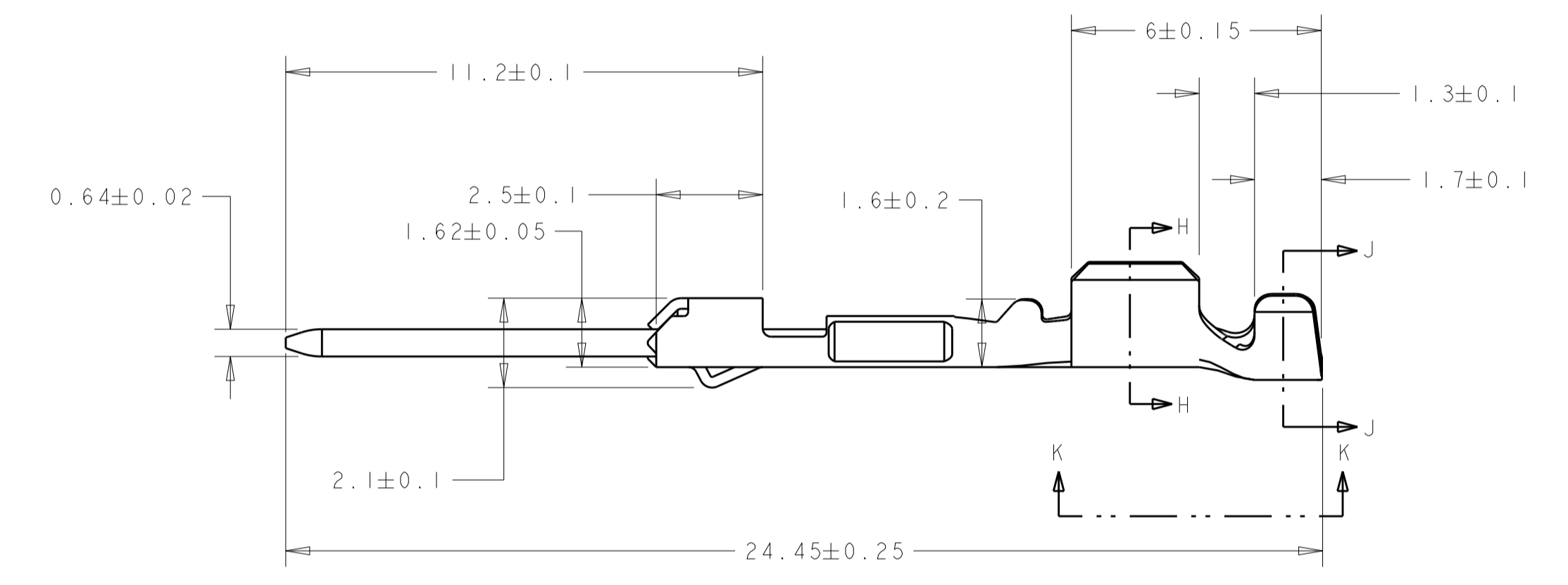
SECTION L-L
TIN VERSIONS



SECTION L-L
TIN VERSIONS

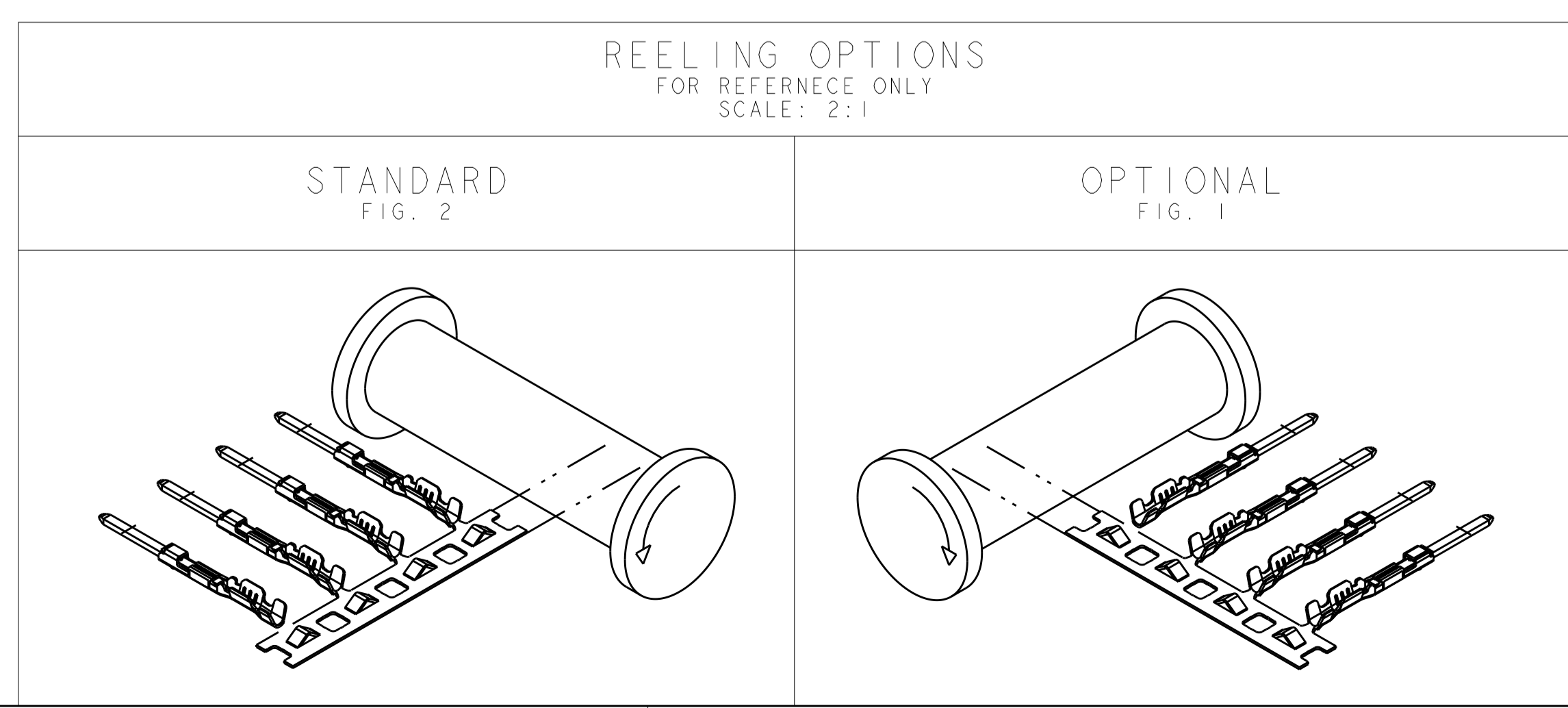


SECTION L-L
GOLD AND SILVER VERSIONS



OPTIONAL CONSTRUCTION

PART NO	WIRE CRIMP CODING	CONDUCTOR WIRE SIZE	REELING	PLATING SPEC.
1-1438299-1	B	0.50/0.75	FIG. 1	SILVER
1-1438299-0	A	0.22/0.35	FIG. 1	SILVER
1438299-8	B	0.50/0.75	FIG. 2	SILVER
1438299-7	A	0.22/0.35	FIG. 2	SILVER
1438299-4	B	0.50/0.75	FIG. 1	TIN
1438299-3	B	0.50/0.75	FIG. 1	GOLD
1438299-2	A	0.22/0.35	FIG. 1	TIN
1438299-1	A	0.22/0.35	FIG. 1	GOLD
2-1419158-5	B	0.50/0.75	FIG. 2	TIN
2-1419158-3	B	0.50/0.75	FIG. 2	GOLD
1-1419158-6	A	0.22/0.35	FIG. 2	TIN
3-1419158-1	A	0.22/0.35	FIG. 2	GOLD



REELING OPTIONS
FOR REFERENCE ONLY
SCALE: 2:1

STANDARD
FIG. 2

OPTIONAL
FIG. 1

3-1419158-1
PART NUMBER

THIS DRAWING IS A CONTROLLED DOCUMENT.		OWN: DL DRUMMOND 22JAN2004	TE Connectivity 0.64mm GET MALE IN-LINE TERMINAL
DIMENSIONS: mm		CHK: WT WELLINSKY 23JAN2004	
TOLERANCES UNLESS OTHERWISE SPECIFIED:		APVD: WT WELLINSKY 23JAN2004	NAME: WT WELLINSKY
0 PLC ±		PRODUCT SPEC	APPLICATION SPEC
1 PLC ±		SEE NOTES	RESTRICTED TO
2 PLC ±		WEIGHT	SIZE: A100779
3 PLC ±		CUSTOMER DRAWING	CAGE CODE: C=3-1419158-1
4 PLC ±		SCALE: 8:1	SHEET 1 OF 1
FINISH		REV: F3	

X-ON Electronics

Largest Supplier of Electrical and Electronic Components

Click to view similar products for [Automotive Connectors](#) category:

Click to view products by [TE Connectivity](#) manufacturer:

Other Similar products are found below :

[003-018-000](#) [60403001](#) [60993906-B](#) [M902-2131](#) [M902-2161](#) [M902-2344](#) [72.330.1035.1](#) [73.353.4028.0](#) [F119300-B](#) [F166900](#) [F258300-B](#)
[F358300-B](#) [F407400](#) [F444110](#) [F487000](#) [F509500B-B](#) [827153-1](#) [8N1515-32-24P](#) [9-1326729-8](#) [925474-1](#) [928905-1](#) [964562-4](#) [968782-1](#)
[GT17SA-8DS-HU](#) [98891-1012](#) [98947-1016](#) [12004147](#) [12004475-L](#) [12010290](#) [12010309-B](#) [12015454](#) [12020219-B](#) [12041318-B](#) [12052225-](#)
[L](#) [12052466](#) [12064869](#) [12004327-B](#) [12015308](#) [12015384](#) [12015909](#) [1-21030-1](#) [12041254](#) [12041318](#) [12047946-B](#) [12047957](#) [12047957-L](#)
[12059473](#) [12066261](#) [12110546](#) [12110546-B](#)