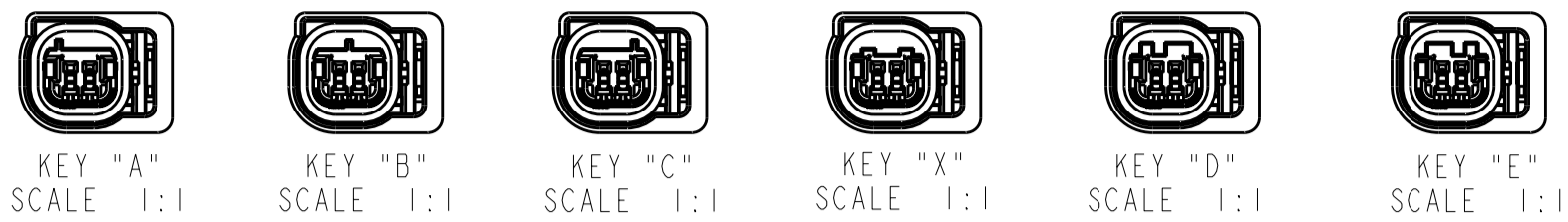
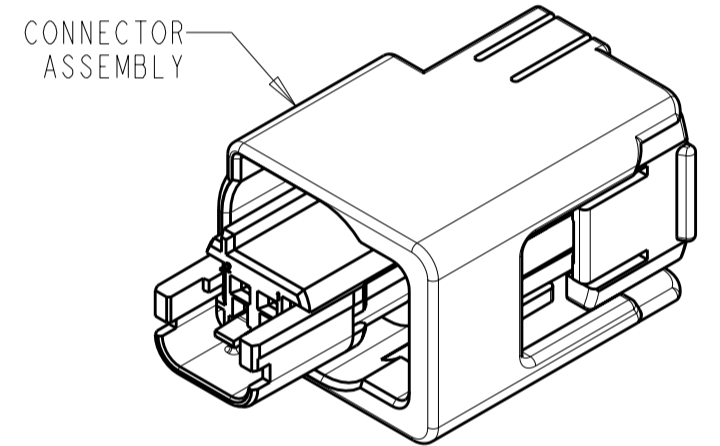
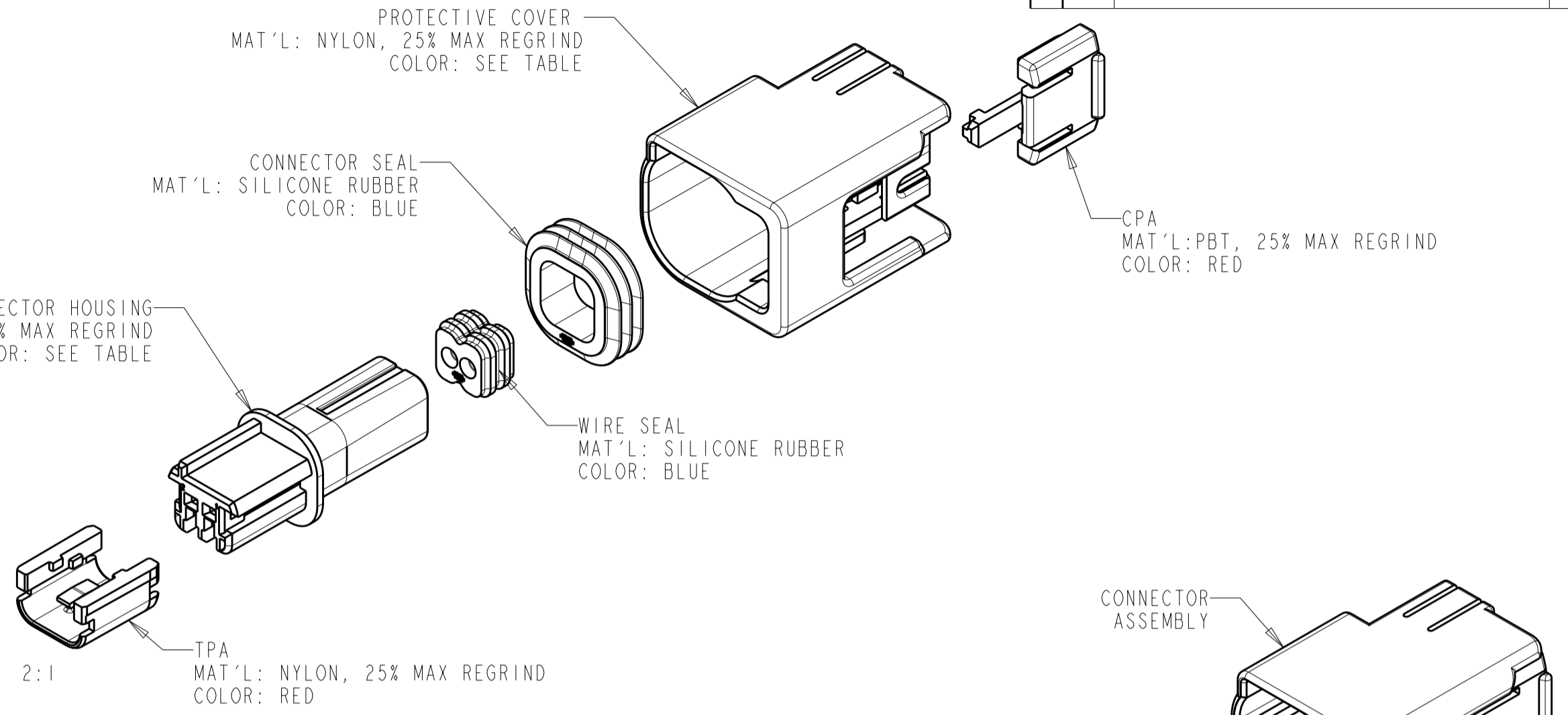
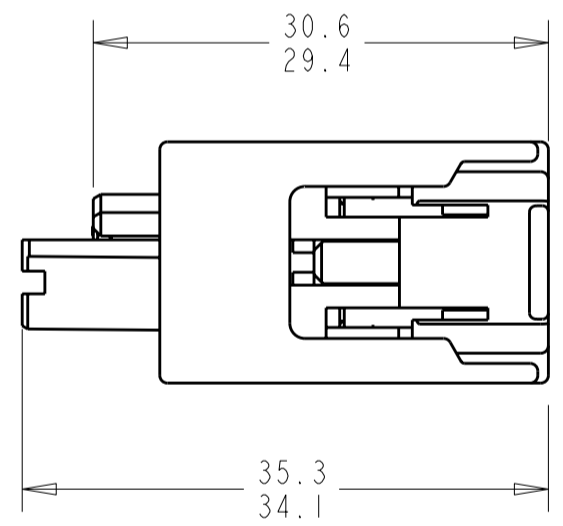
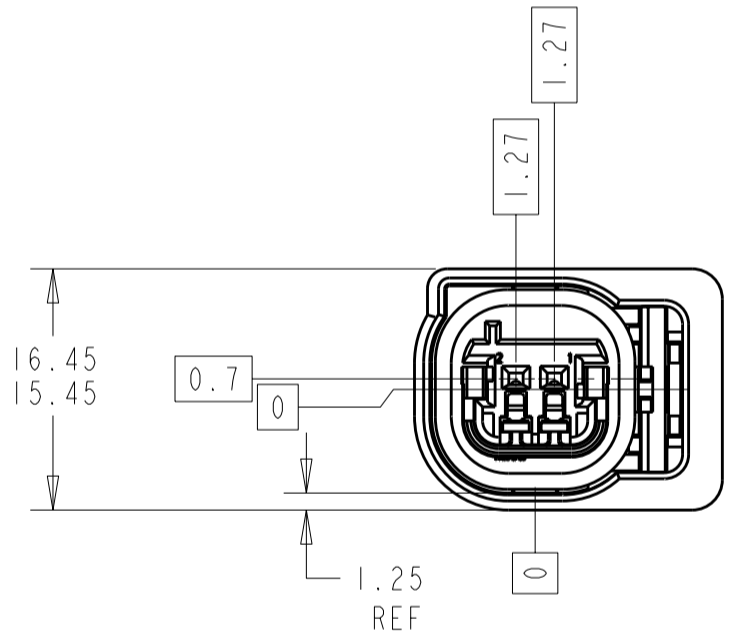
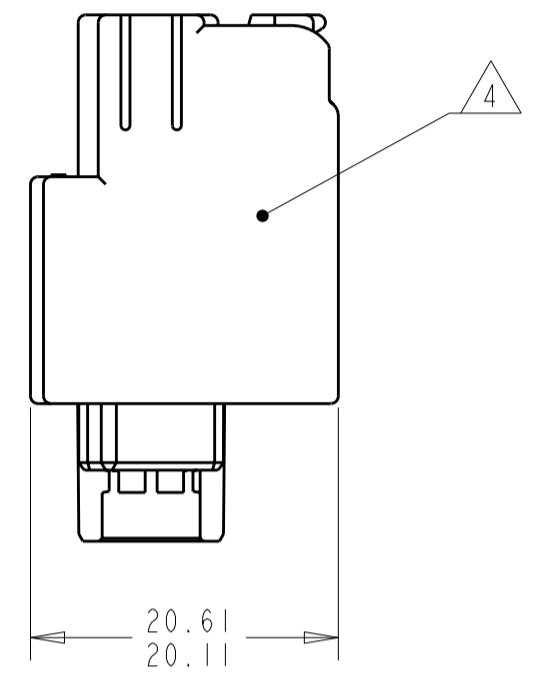


THIS DRAWING IS UNPUBLISHED. RELEASED FOR PUBLICATION
 © COPYRIGHT 20 BY TYCO ELECTRONICS CORPORATION. ALL RIGHTS RESERVED.

| LOC | DIST | REVISIONS | | | |
|-----|------|--------------------------------|-----------|-----|------|
| P | LTR | DESCRIPTION | DATE | DWN | APVD |
| GE | 00 | | | | |
| | O | RELEASED PER EC 0K80-0169-03 | 20JUN2003 | DJA | TMS |
| | A | ADDED: -21 PER EC 0K80-0180-04 | 02JUN2004 | DLD | CJS |
| | A1 | REVISED PER ECO-07-025000 | 01NOV2007 | DLD | CJS |
| | A2 | REVISED PER ECO-08-018575 | 30JUL2008 | DLD | CJS |



KEYING CONFIGURATION



THE FEMALE CONTACT SPRING FINGER ENGAGES IN THE VERTICAL DIRECTION IN THIS VIEW

- 1 TPA SHOWN IN OPEN POSITION.
- 2 A "X" IN THIS TABLE INDICATES THAT THE CIRCUIT IS BLOCKED AND WILL NOT ALLOW INSERTION OF TERMINAL. A "-" INDICATES THAT INSERTION OF TERMINAL CAN OCCUR.
- 3 PART NUMBER 1438426-1 SHOWN.
- 4 AMP PART NUMBER AND DATE CODE MARKED IN THIS GENERAL LOCATION.
- 5 FOR SAFTY SYSTEM INNER & OUTER HOUSING COLOR: YELLOW.
- 6 INNER & OUTER HOUSING COLOR: BLACK.
- 7 INNER & OUTER HOUSING COLOR: GRAY.

| FORCE REQUIREMENT | MIN(N) | MAX(N) |
|--------------------------------------|--------|--------|
| TPA ENGAGE PRESET TO FULL INSTALL | 5 | 55 |
| TPA DISENGAGE FULL TO PRESET | 15 | 60 |
| TPA REMOVAL FROM HOUSING | 15 | - |
| CPA ENGAGE PRESET TO LOCKED POSITION | - | 30 |
| CPA DISENGAGE LOCKED TO PRESET | - | 30 |
| CPA REMOVAL FROM HOUSING | 15 | - |

| 6 | X | X | A | 2-1438426-1 |
|-------|------------------------|---|-------------------------------------|-------------|
| 6 | - | - | X | 1438426-7 |
| 6 | - | - | E | 1438426-6 |
| 6 | - | - | D | 1438426-5 |
| 5 | - | - | C | 1438426-4 |
| 7 | - | - | B | 1438426-3 |
| 6 | X | - | A | 1438426-2 |
| 6 | - | - | A | 1438426-1 |
| NOTES | CIRCUIT 2 CIRCUIT 1 | | KEY CONFIGURATION (DRAWING ZONE D3) | PART NUMBER |
| | USED CIRCUIT PATTERN | | | |

THIS DRAWING IS A CONTROLLED DOCUMENT FOR TYCO ELECTRONICS CORPORATION. IT IS SUBJECT TO CHANGE AND THE CONTROLLING ENGINEERING ORGANIZATION SHOULD BE CONTACTED FOR THE LATEST REVISION.

DWN: D. AHERON 11JUN03
 CHK: M. SHORE 11JUN03
 APVD: M. SHORE 11JUN03

Tyco Electronics
 Harrisburg, PA 17105-3608

NAME: CONNECTOR ASSEMBLY, FEMALE, 2 POSITION SEALED, 0.64mm

SIZE: A2 CAGE CODE: 00779 DRAWING NO: 1438426 RESTRICTED TO: -

MATERIAL: - FINISH: - WEIGHT: - SCALE: 2:1 SHEET: 1 OF 1 REV: A2

PRODUCT SPEC: SAE/USCAR-2 8/97

APPLICATION SPEC: -

CUSTOMER DRAWING

X-ON Electronics

Largest Supplier of Electrical and Electronic Components

Click to view similar products for [Automotive Connectors](#) category:

Click to view products by [TE Connectivity](#) manufacturer:

Other Similar products are found below :

[003-018-000](#) [60403001](#) [60993906-B](#) [M902-2131](#) [M902-2161](#) [M902-2344](#) [72.330.1035.1](#) [73.353.4028.0](#) [F119300-B](#) [F166900](#) [F258300-B](#)
[F358300-B](#) [F407400](#) [F444110](#) [F487000](#) [F509500B-B](#) [827153-1](#) [8N1515-32-24P](#) [9-1326729-8](#) [925474-1](#) [928905-1](#) [964562-4](#) [968782-1](#)
[GT17SA-8DS-HU](#) [98891-1012](#) [98947-1016](#) [12004147](#) [12004475-L](#) [12010290](#) [12010309-B](#) [12015454](#) [12020219-B](#) [12041318-B](#) [12052225-](#)
[L](#) [12052466](#) [12064869](#) [12004327-B](#) [12015308](#) [12015384](#) [12015909](#) [1-21030-1](#) [12041254](#) [12041318](#) [12047946-B](#) [12047957](#) [12047957-L](#)
[12059473](#) [12066261](#) [12110546](#) [12110546-B](#)