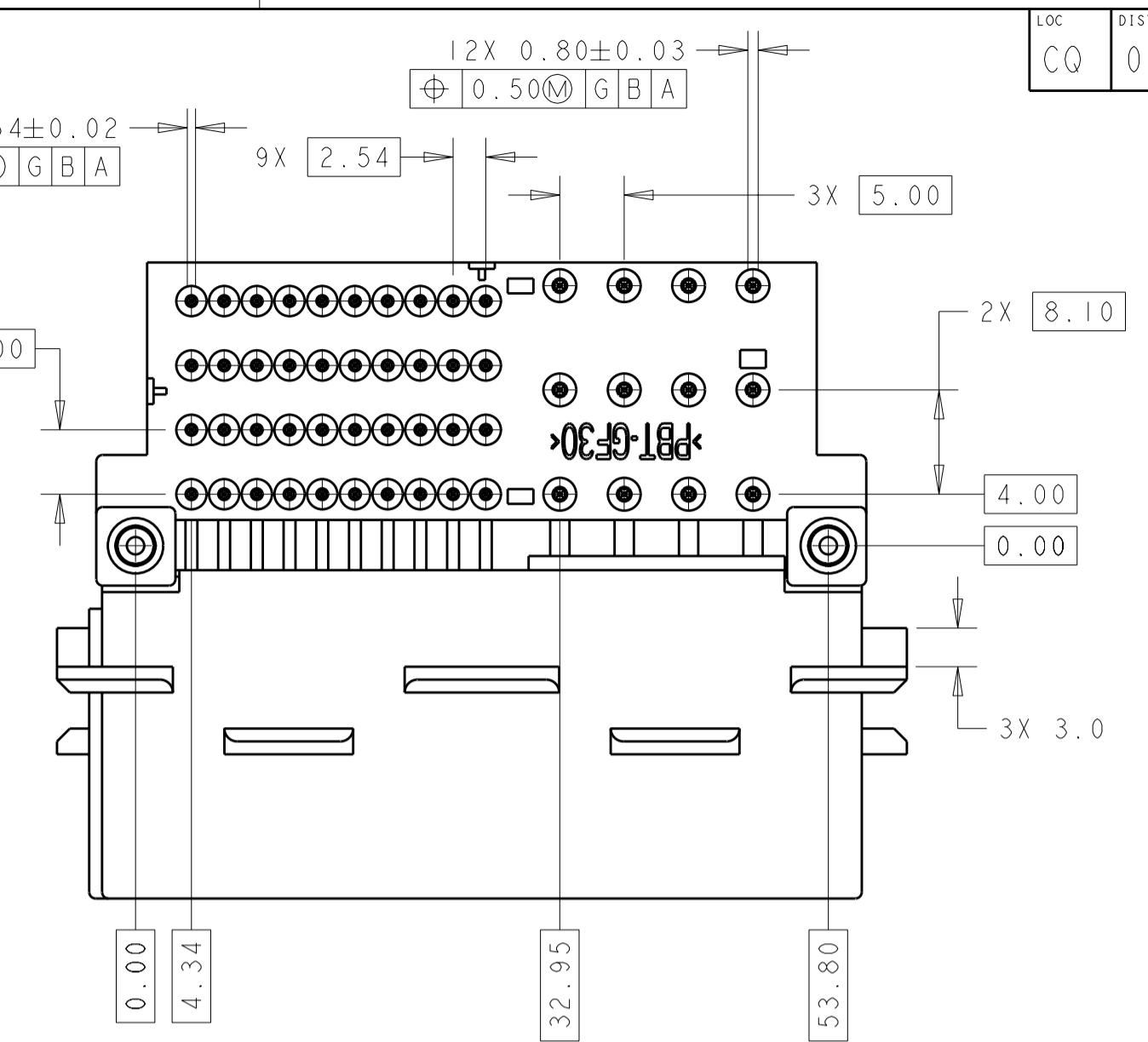
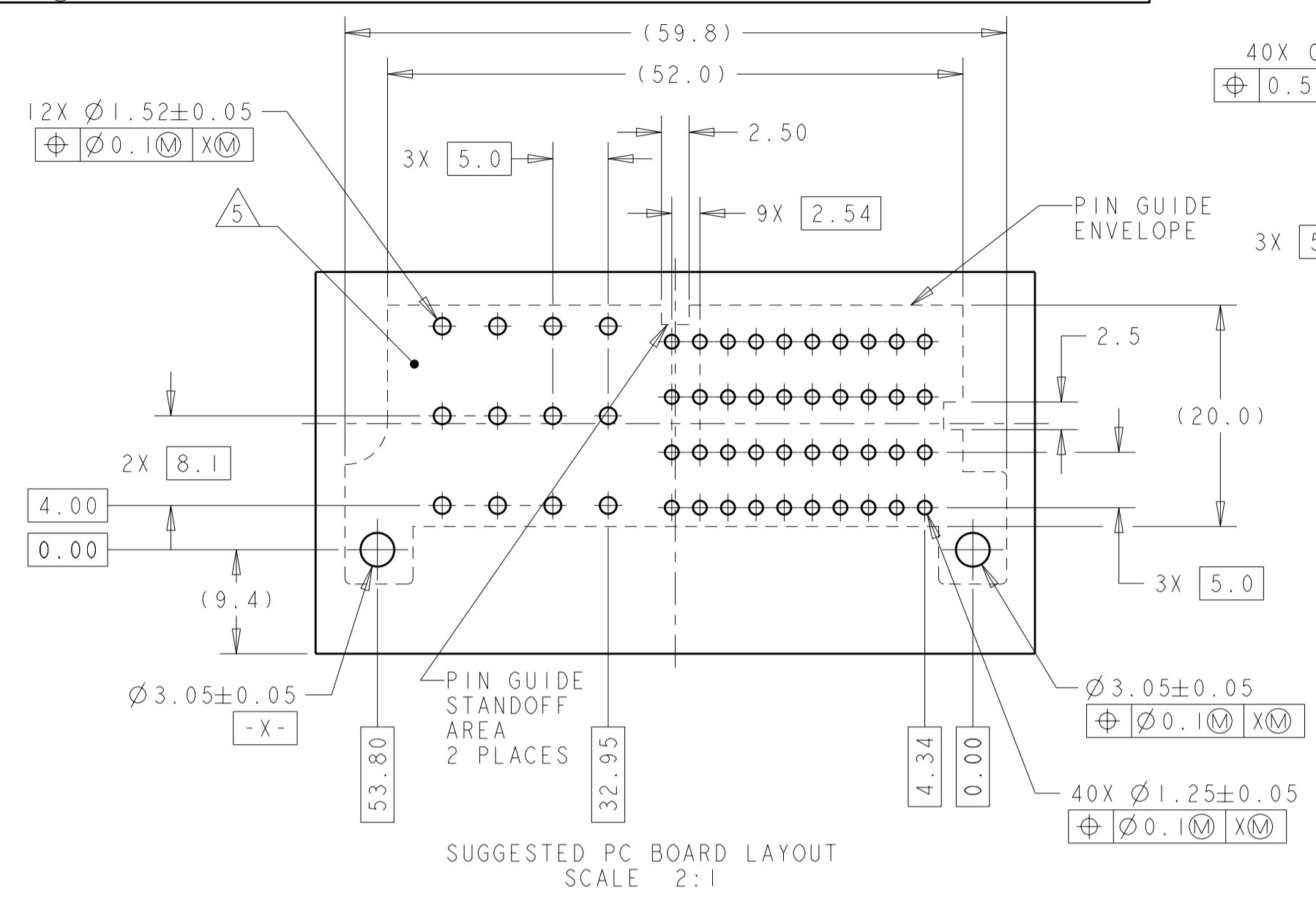
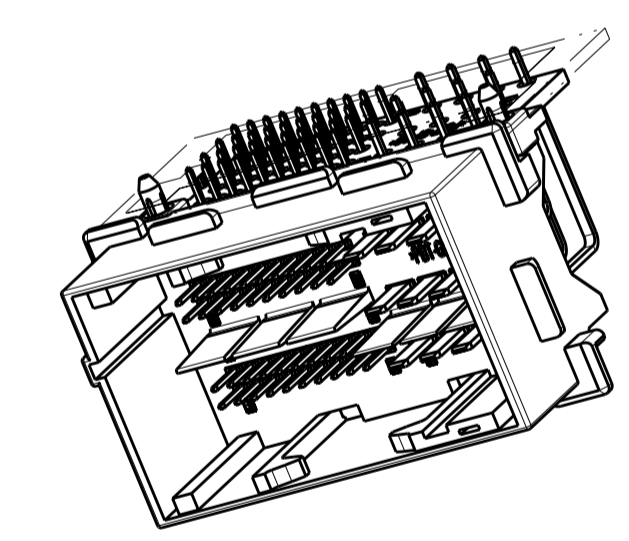
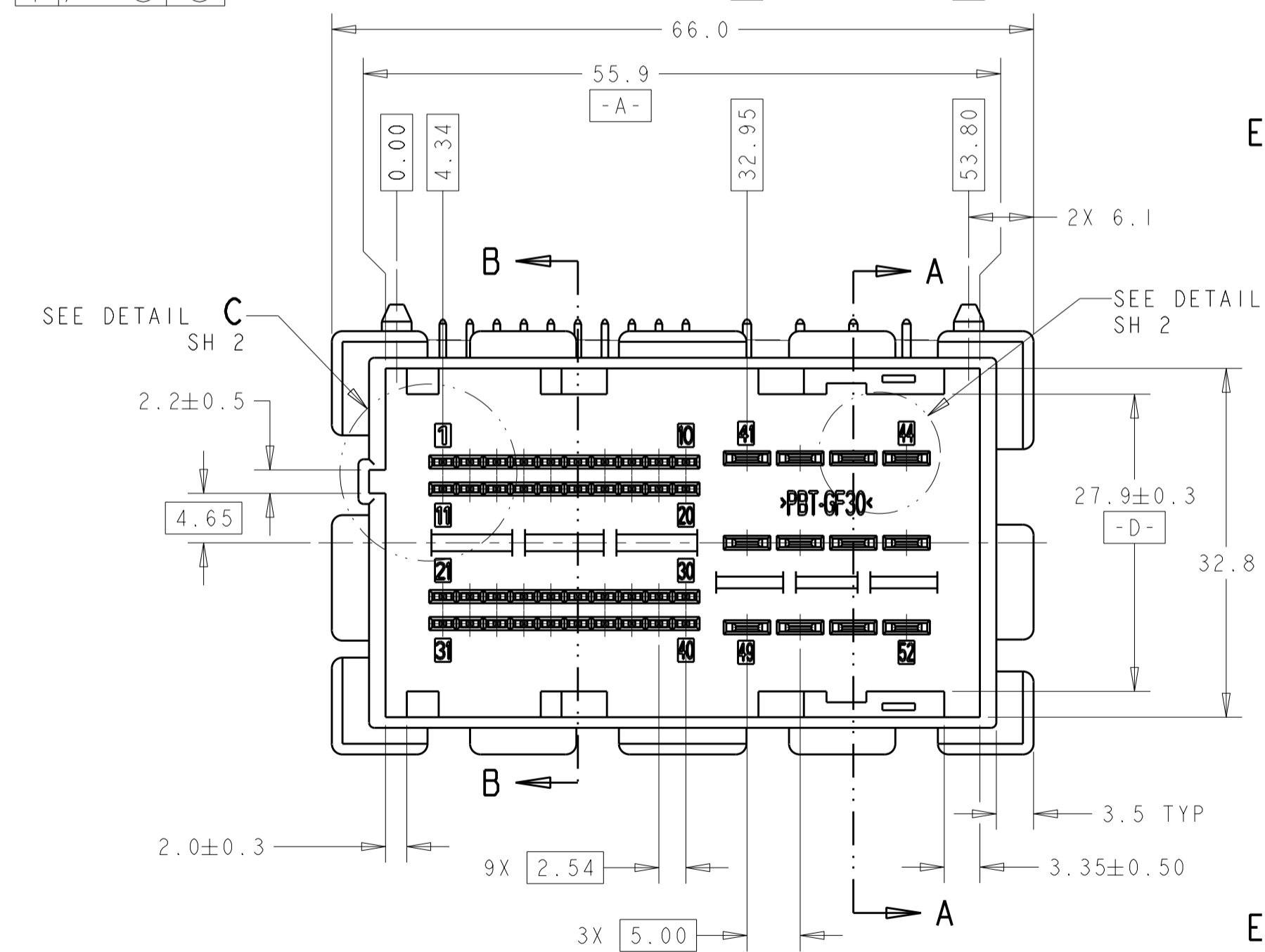
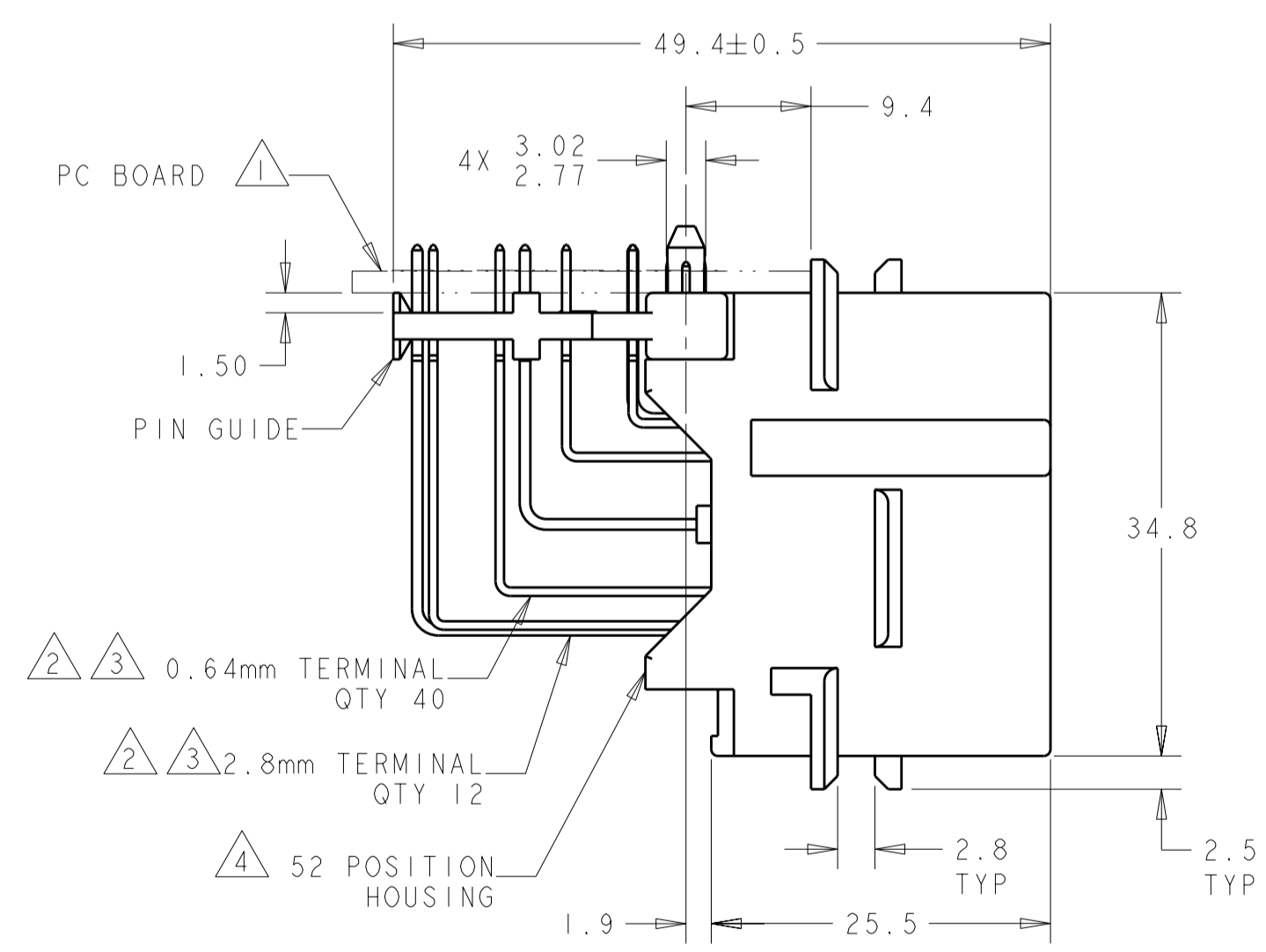


THIS DRAWING IS UNPUBLISHED. RELEASED FOR PUBLICATION 20
 © COPYRIGHT 20 BY - ALL RIGHTS RESERVED.

REVISIONS				
P	LTR	DESCRIPTION	DATE	APVD
E		REVISED PER ECO-11-016864	22AUG2011	DD RL



- 1 PC BOARD SUPPLIED BY CUSTOMER.
- 2 MATERIAL: BRASS, TEMPER H04.
- 3 FINISH: MATING END - 0.0008-0.0016 THICK MATTE TIN PER AMP SPEC 112-65-1. SOLDER TAIL - 0.0038 - 0.0064 THICK MATTE TIN PER AMP SPEC 112-65-1 ALL OVER 0.0020 MINIMUM NICKEL PER AMP SPEC 112-25-2.
- 4 MATERIAL: 30% GLASS FILLED BASF PBT.
- 5 CLEARANCE BETWEEN PC BOARD AND PIN GUIDE IS 1.75mm IN THIS AREA.
6. MINIMUM PIN RETENTION REQUIREMENT IN BOTH DIRECTIONS SHALL BE 3 TIMES THE MAXIMUM TERMINAL SEPARATION FORCE AFTER BUYER'S SOLDERING PROCESS PER DVP&R.
7. AS STITCHED, MINIMUM PIN RETENTION IN BOTH DIRECTIONS SHALL BE 40N.

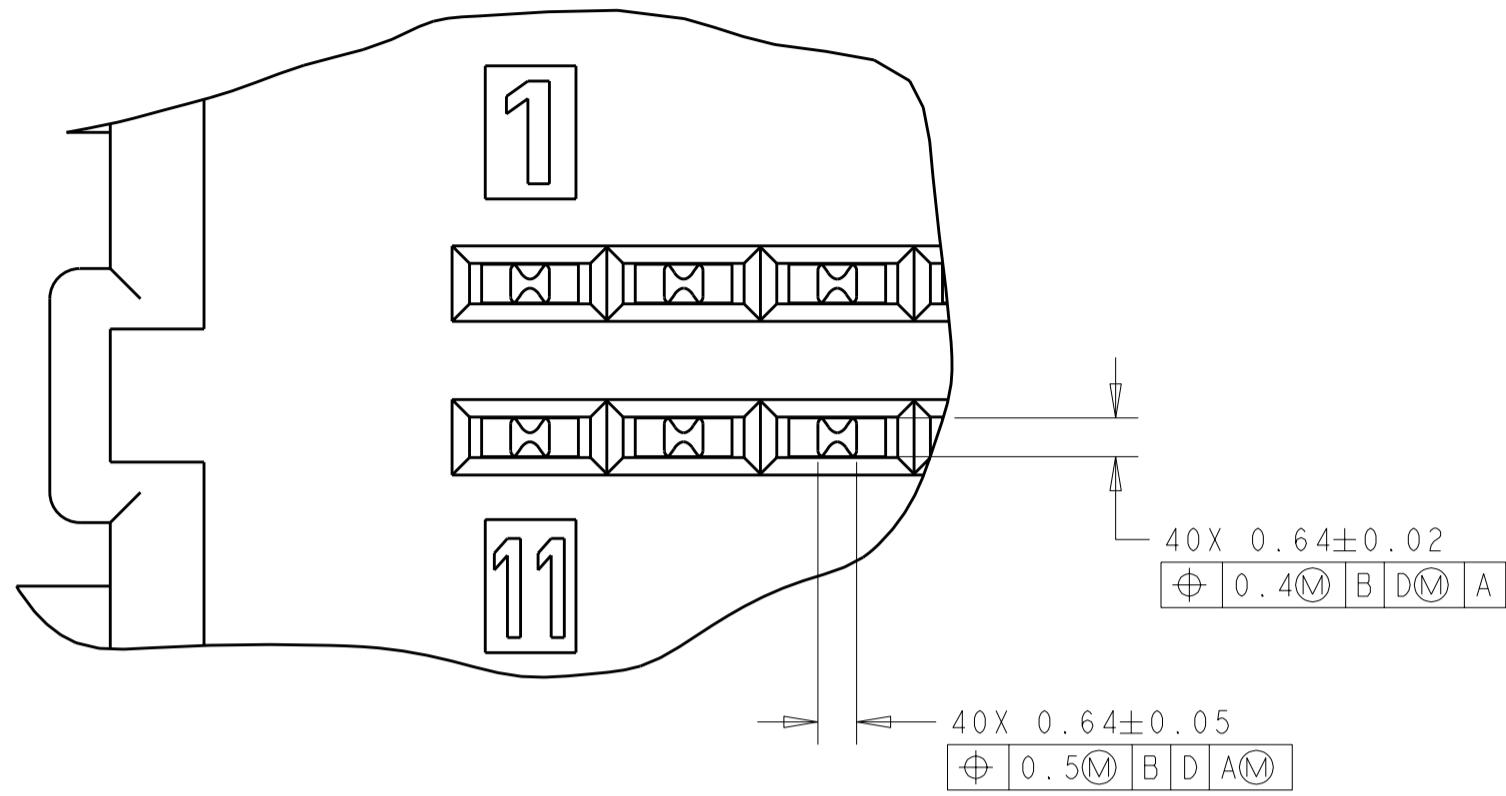


1438527-1
PART NUMBER

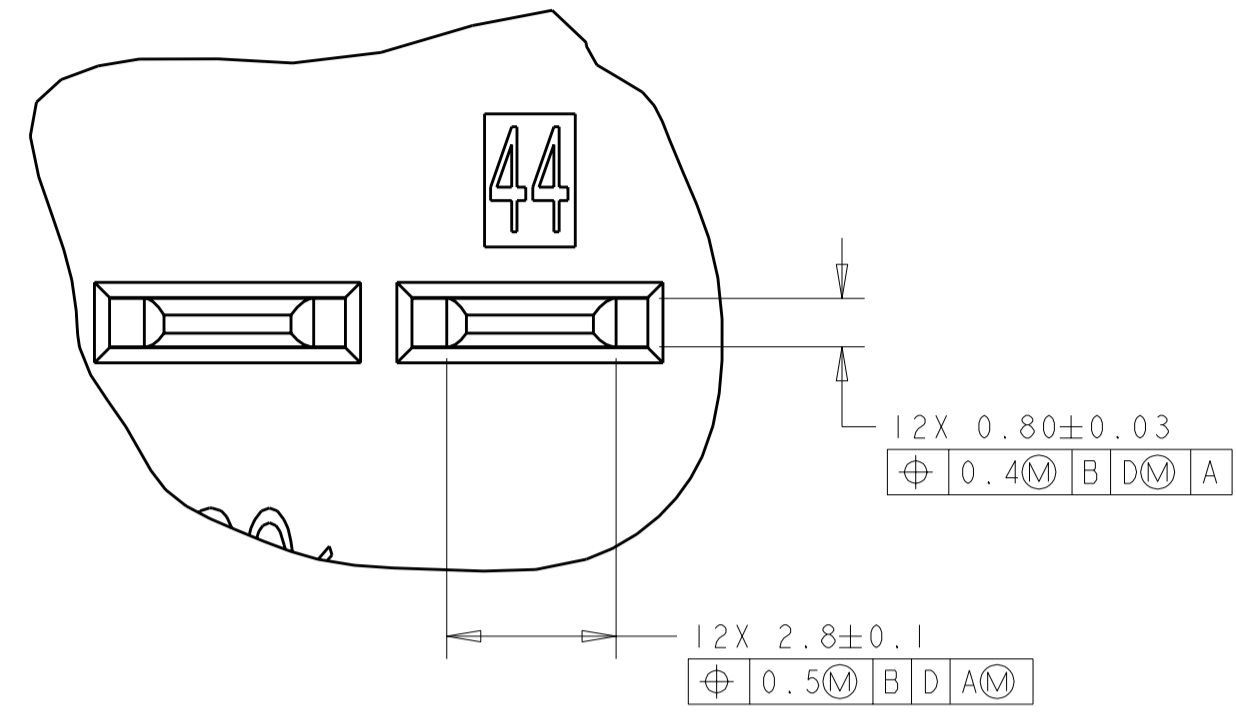
THIS DRAWING IS A CONTROLLED DOCUMENT.		DWN R. VESTAL 18MAR2004	TE Connectivity	
DIMENSIONS: mm		CHK A. EBRAHEEM 18MAR2004		
TOLERANCES UNLESS OTHERWISE SPECIFIED:		APVD A. EBRAHEEM 18MAR2004	NAME: HEADER ASSEMBLY, 52 POSITION, 0.64mm AND 2.8mm	
0 PLC ±0.5		PRODUCT SPEC	SIZE CAGE CODE DRAWING NO RESTRICTED TO	
1 PLC ±0.3		APPLICATION SPEC	A200779C-1438527	
2 PLC ±0.10		WEIGHT	SCALE 2:1 SHEET 1 OF 2 REV E	
3 PLC ±		CUSTOMER DRAWING		
4 PLC ±				
ANGLES ±				
FINISH ±				

THIS DRAWING IS UNPUBLISHED. RELEASED FOR PUBLICATION 20
 © COPYRIGHT 20 BY - ALL RIGHTS RESERVED.

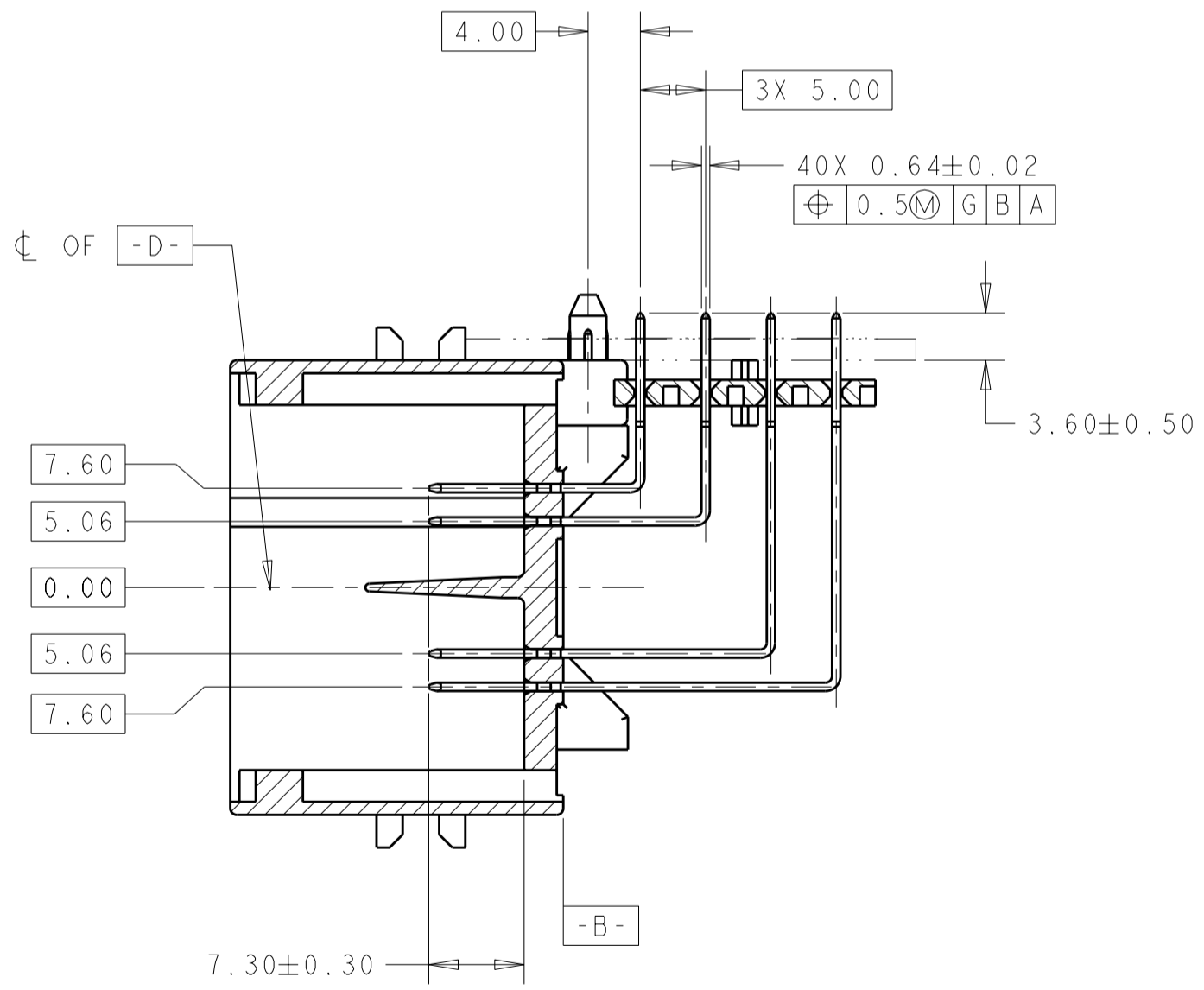
LOC	DIST	REVISIONS			
P	LTR	DESCRIPTION	DATE	DWN	APVD
CQ	00	SEE SHEET 1			



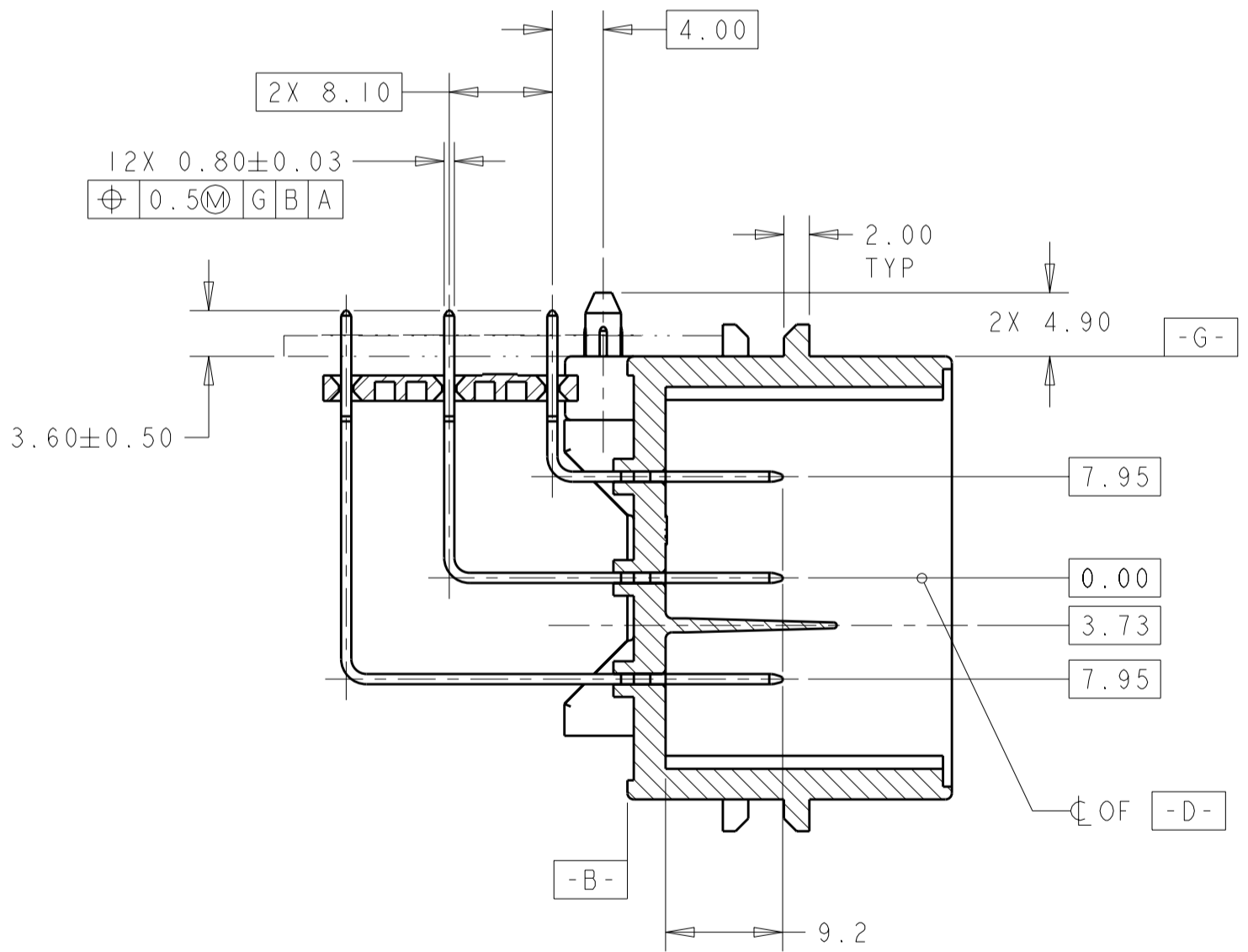
DETAIL C
SCALE 8:1



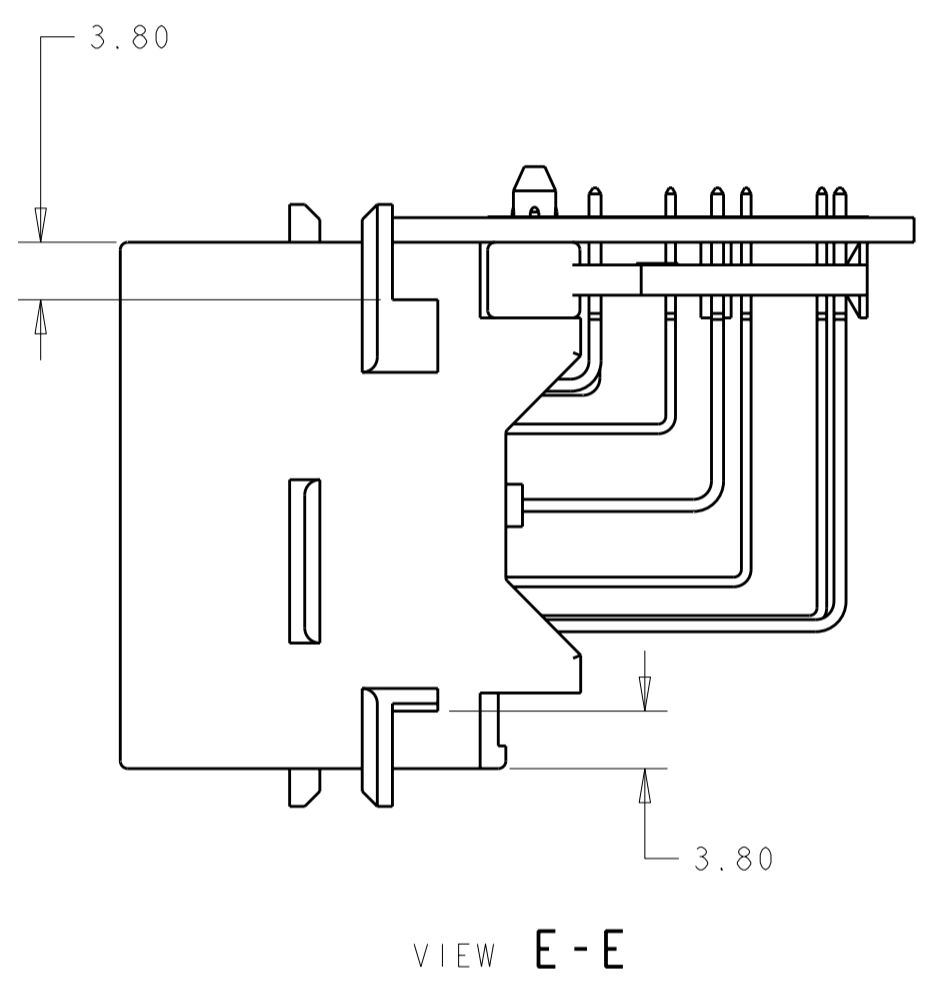
DETAIL D
SCALE 8:1



SECTION B-B
THROUGH 0.64mm BLADES



SECTION A-A
THROUGH 2.8mm BLADES



THIS DRAWING IS A CONTROLLED DOCUMENT.		DWN R. VESTAL 18MAR2004	TE Connectivity	
DIMENSIONS: mm		CHK A. EBRAHEEM 18MAR2004		
TOLERANCES UNLESS OTHERWISE SPECIFIED:		APVD A. EBRAHEEM 18MAR2004	NAME HEADER ASSEMBLY, 52 POSITION, 0.64mm AND 2.8mm	
0 PLC ±0.5 1 PLC ±0.3 2 PLC ±0.10 3 PLC ± 4 PLC ± ANGLES ± FINISH ±		PRODUCT SPEC -	SIZE A200779	DRAWING NO C-1438527
MATERIAL -		APPLICATION SPEC -	RESTRICTED TO -	SCALE 2:1
-		WEIGHT -	SHEET 2	OF 2
-		CUSTOMER DRAWING	REV E	

X-ON Electronics

Largest Supplier of Electrical and Electronic Components

Click to view similar products for [Automotive Connectors](#) category:

Click to view products by [TE Connectivity](#) manufacturer:

Other Similar products are found below :

[003-018-000](#) [600858](#) [60403001](#) [60993906-B](#) [60993913-B](#) [629515004020001](#) [M902-2131](#) [M902-2161](#) [M902-2344](#) [72.330.1035.1](#)
[73.353.4028.0](#) [F118010](#) [F119300-B](#) [F132210](#) [F132210-B](#) [F166900](#) [F180100](#) [F258300](#) [F258300-B](#) [F294300-B](#) [F339100](#) [F339700](#) [F358300-](#)
[B](#) [F374110](#) [F407400](#) [F412210](#) [F427600](#) [F444110](#) [F487000](#) [F495100-B](#) [F500900-B](#) [F509500B-B](#) [770444-1](#) [776880-1](#) [827153-1](#) [881735-1](#)
[8N1515-32-24P](#) [9-1326727-8](#) [9-1326729-8](#) [925467-1](#) [925474-1](#) [928905-1](#) [936398-2](#) [964562-1](#) [964562-4](#) [964731-2](#) [965051-1](#) [968782-1](#)
[GT17SA-8DS-HU](#) [GT17VS-10DP-5.2CF](#)