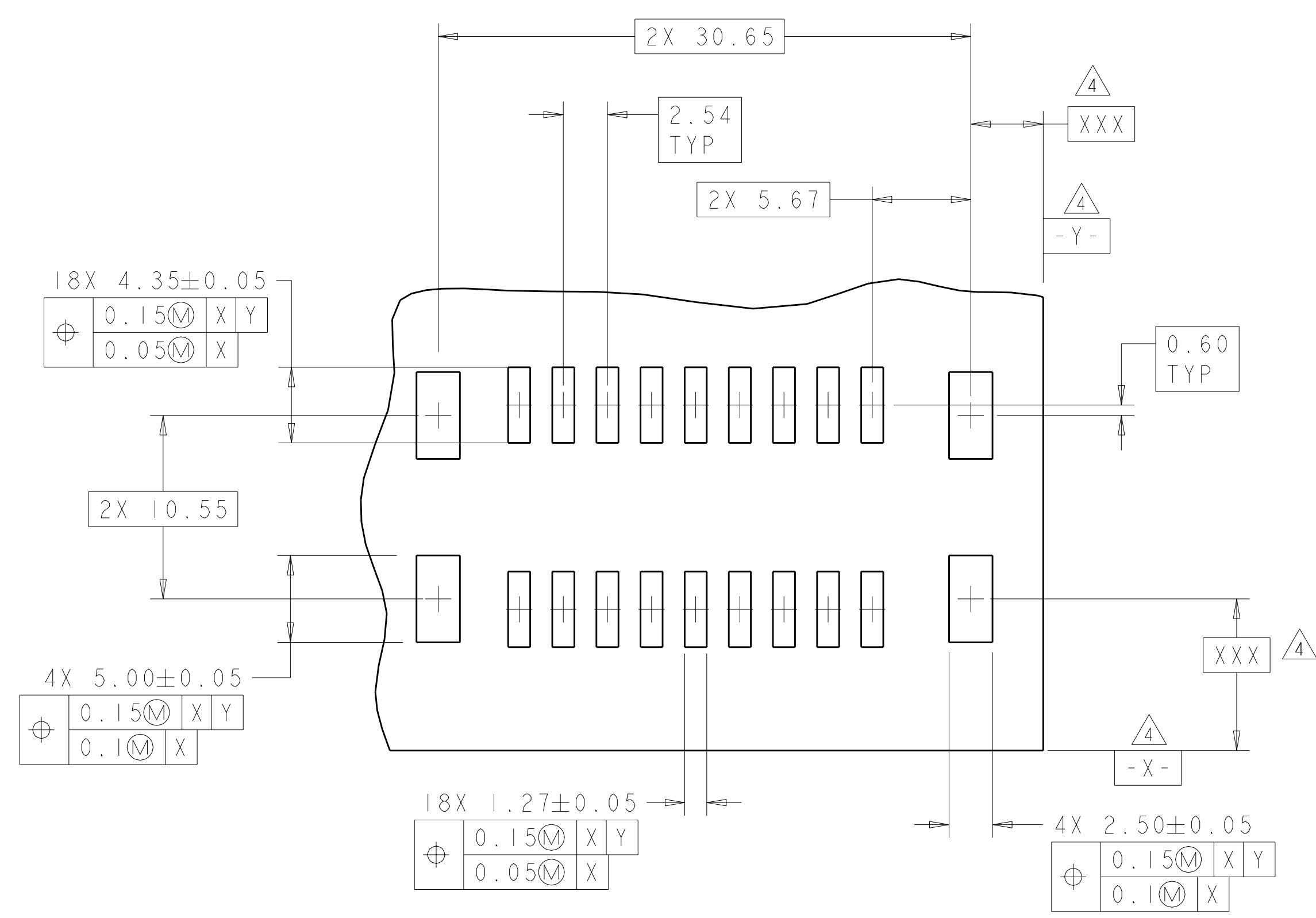
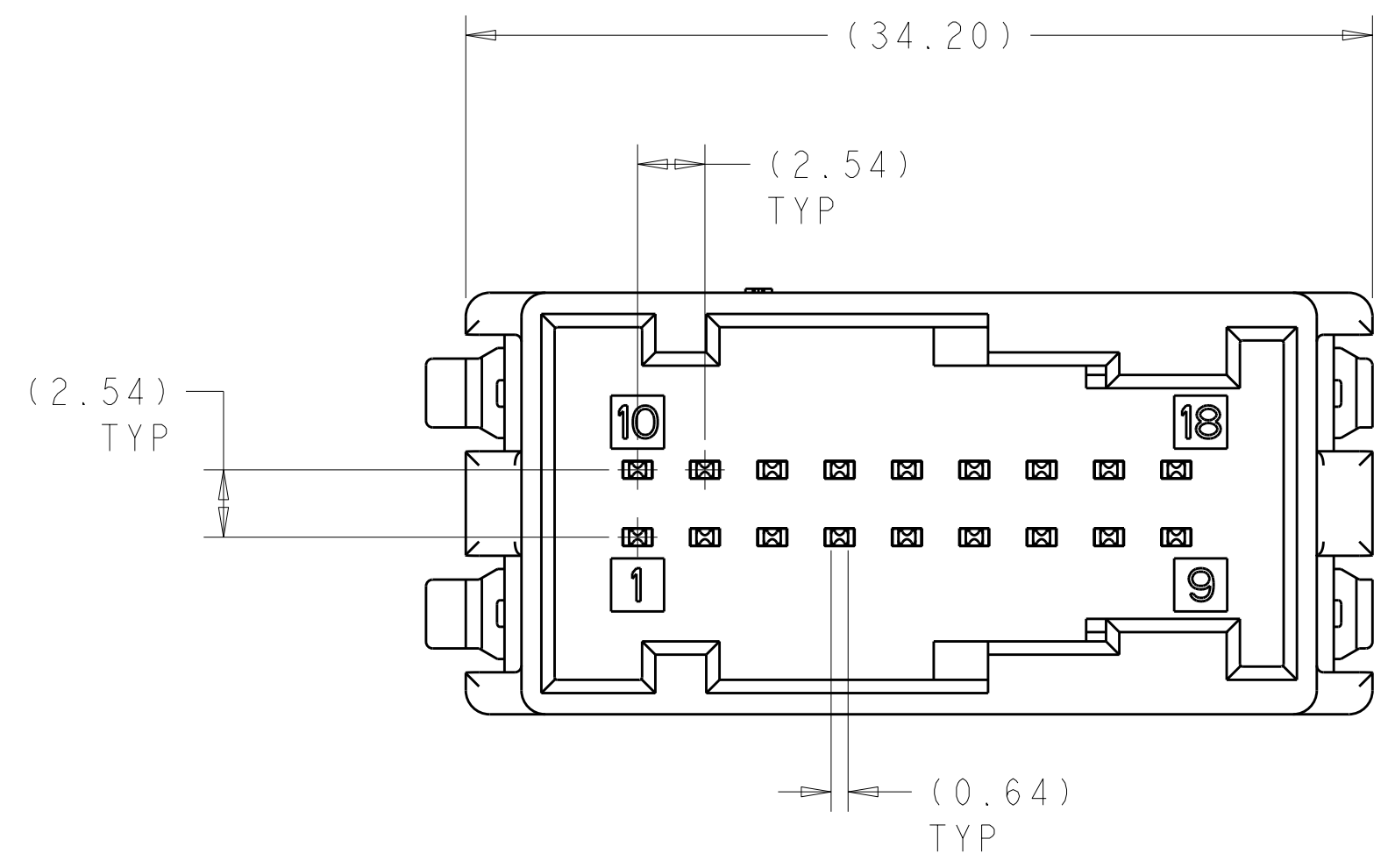
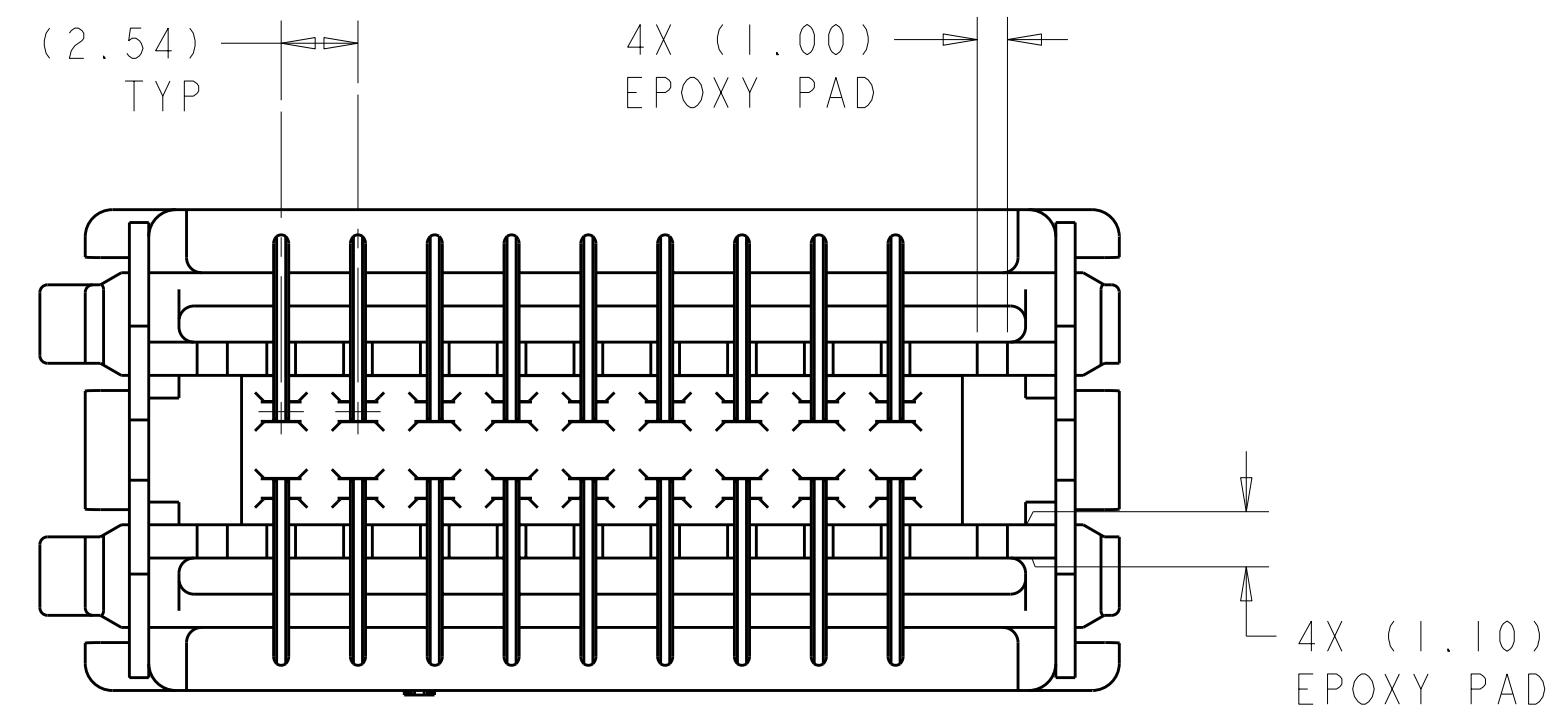
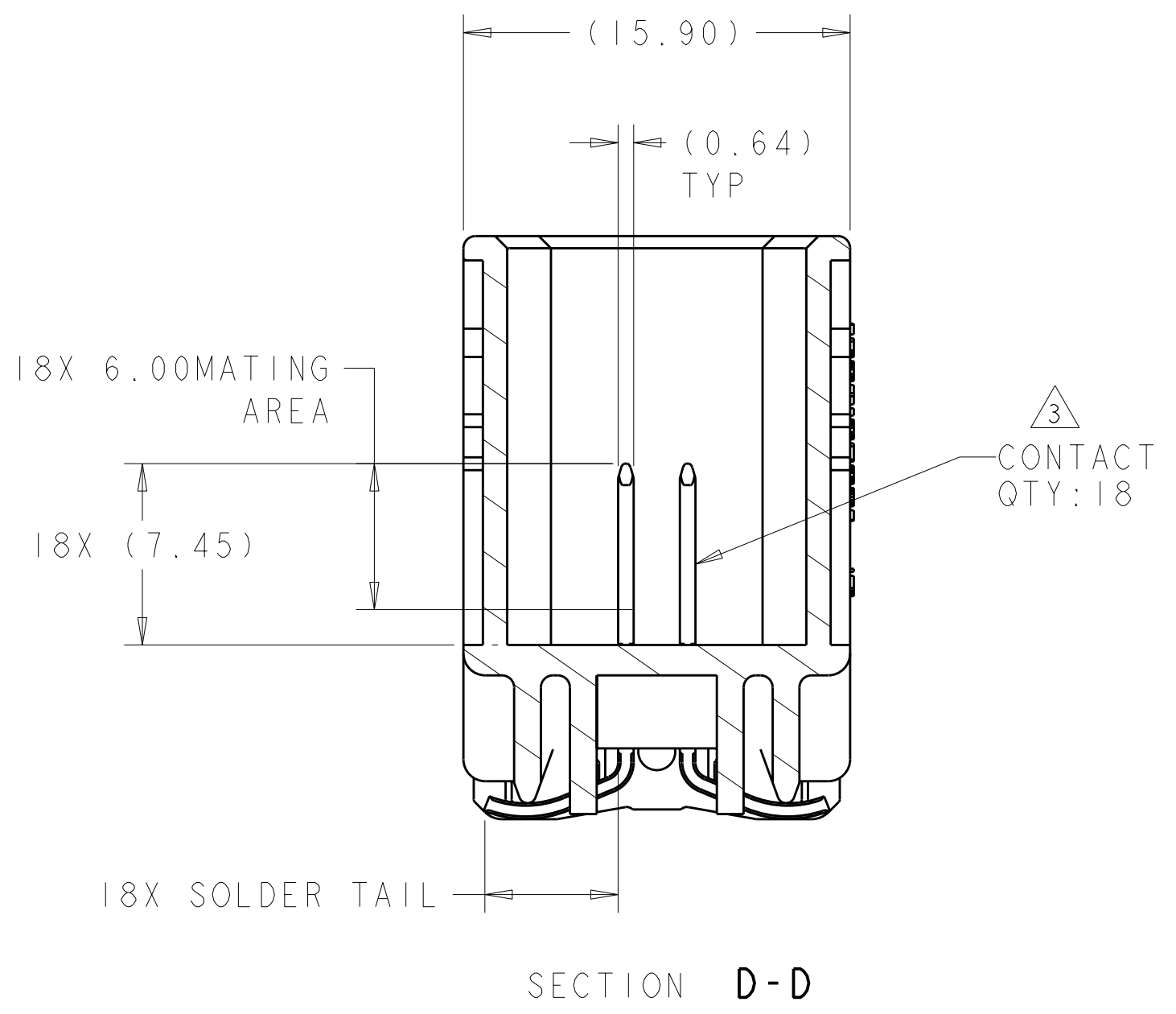
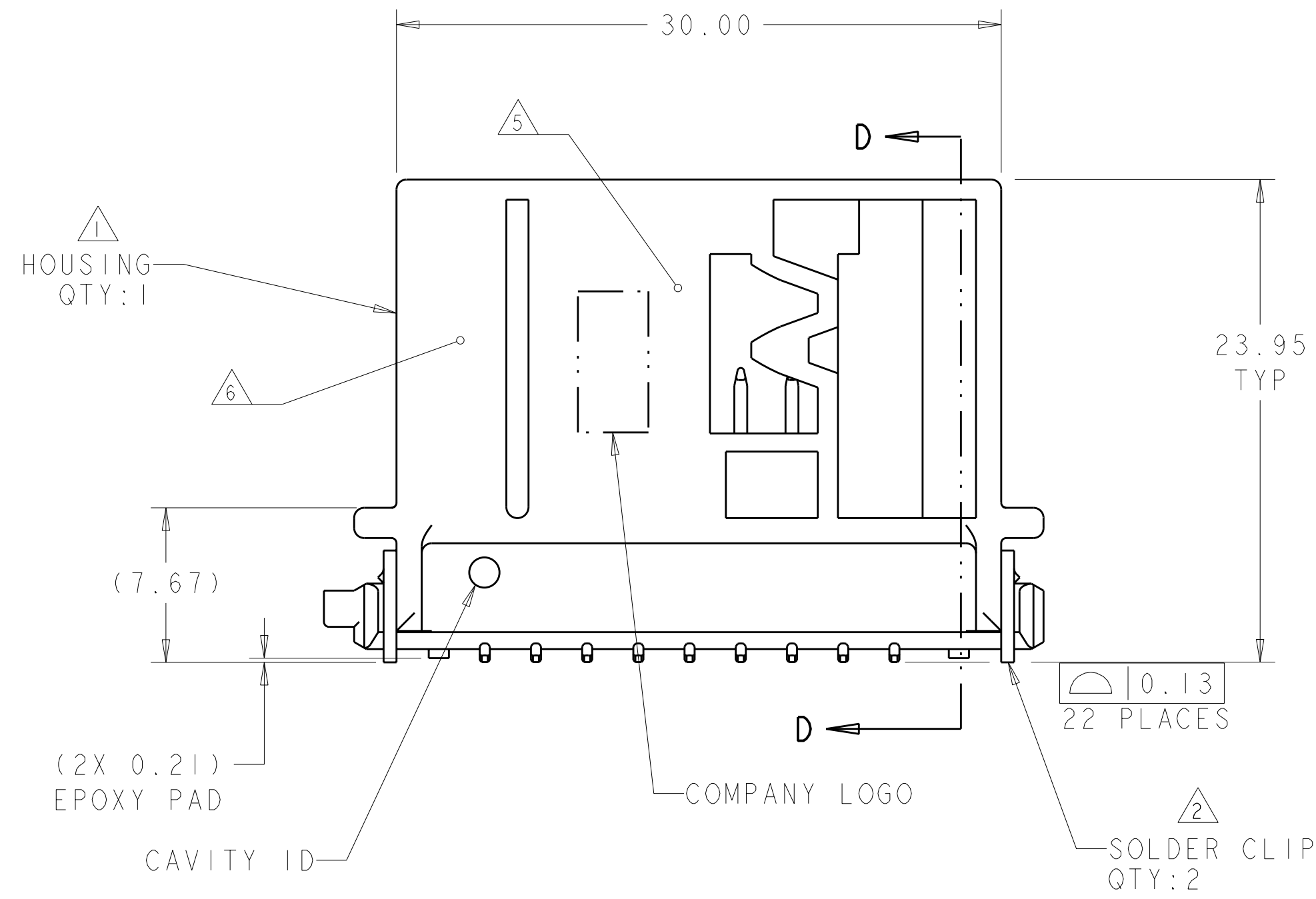


LOC	DIST	REV	DATE	BY	APPD
IN	00				

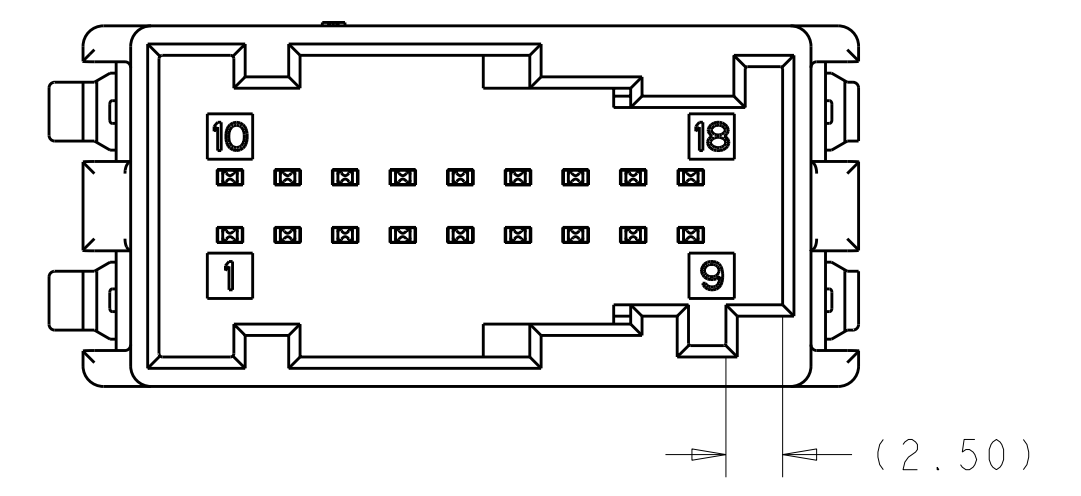
REVISIONS					
REV	DATE	BY	APPD	DESCRIPTION	DATE
A	19OCT2005	HM	DF	REV PER ECO-06-005840	19OCT2005
B	30JAN2007	AH	MT	REVISED PER ECR-07-001558	30JAN2007
C	10OCT2007	AH	MT	REVISED PER ECR-07-023989	10OCT2007
C1	31MAY2010	VSS	CS	REV PER ECR-10-011823	31MAY2010



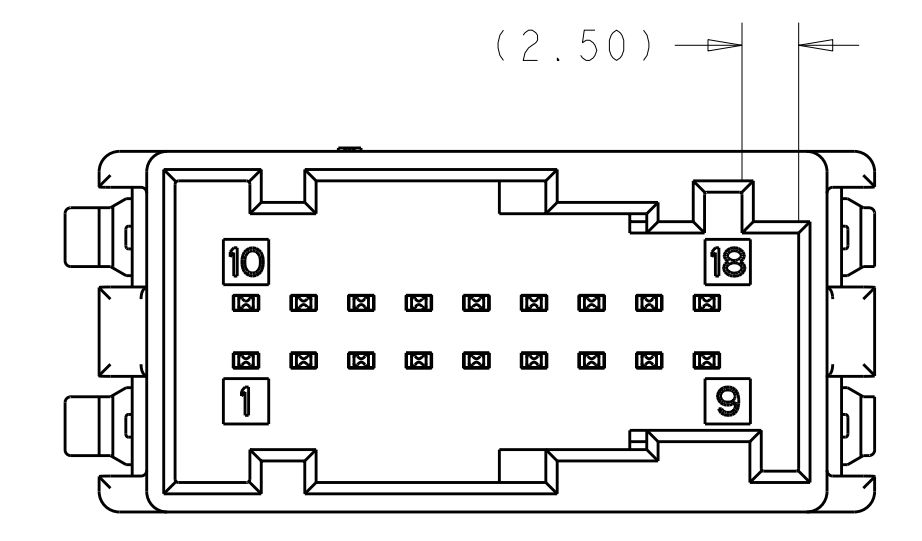
RECOMMENDED PC BOARD LAYOUT
 CONNECTOR SIDE OF BOARD
 SCALE 4:1



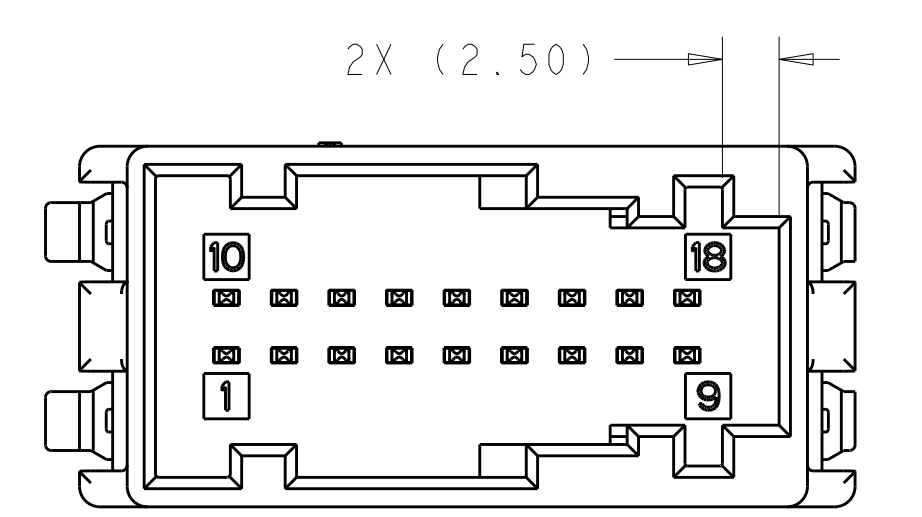
- ① HOUSING: PCT, COLOR - SEE TABLE
 CONTACTS: BRASS
 SOLDER CLIP: BRASS
- ② SOLDER CLIP: 3.8µm MIN TIN OVER 1.27µm MIN NICKEL
- ③ CONTACT: 0.8µm MIN TIN IN MATING AREA AND 2.5µm MIN TIN IS SOLDER TAIL ALL OVER 1.00µm NICKEL
- ④ DATUMS AND BASIC DIMENSIONS ESTABLISHED BY THE CUSTOMER
- ⑤ ASSEMBLY DATE CODE SIDE OR END.
- ⑥ PRODUCT PART NUMBER SIDE OR END.
- ⑦ PRELIMINARY PART NUMBER, NOT RELEASED FOR PRODUCTION.



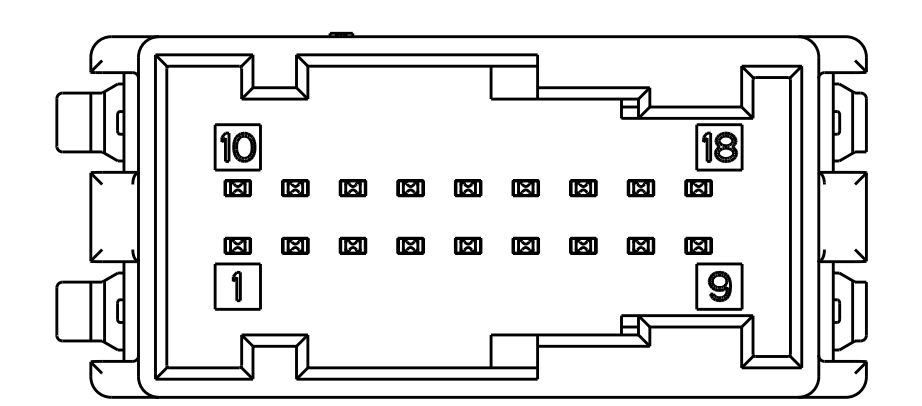
KEYING CODE "CE"
 SCALE 3:1



KEYING CODE "BF"
 SCALE 3:1



KEYING CODE "BE"
 SCALE 3:1



KEYING CODE "CF"
 SCALE 3:1

NON RETURNABLE	KEYING CODE "BE"	NATURAL	1-1438543-2
NON RETURNABLE	KEYING CODE "CF"	BLACK	1-1438543-1
RETURNABLE	KEYING CODE "CE"	GREEN	1438543-4
RETURNABLE	KEYING CODE "BF"	PURPLE	1438543-3
RETURNABLE	KEYING CODE "BE"	NATURAL	1438543-2
RETURNABLE	KEYING CODE "CF"	BLACK	1438543-1
PACKAGE TUBE	KEYING CODE	COLOR	PART NUMBER

DIMENSIONS: mm 	TOLERANCES UNLESS OTHERWISE SPECIFIED: 9 PLC ± 1 PLC ±0.25 5 PLC ± 4 PLC ± ANGLES ± FINISH SEE CALLOUTS	DWN H. MOLL 04DEC2003 CHK D. FRY 17MAY2004 APVD D. FRY 26APR2004 PRODUCT SPEC APPLICATION SPEC WEIGHT CUSTOMER DRAWING	Tyco Electronics Harrisburg, PA 17105-3608 NAME: HEADER ASSY, 18 WAY, VERTICAL, WITH SOLDER CLIPS, SURFACE MOUNT, LAC SIZE: 00779 C=1438543 SHEET 1 OF 1 REV. C1
-----------------------	---	--	---

X-ON Electronics

Largest Supplier of Electrical and Electronic Components

Click to view similar products for [Automotive Connectors](#) category:

Click to view products by [TE Connectivity](#) manufacturer:

Other Similar products are found below :

[003-018-000](#) [60403001](#) [60993906-B](#) [M902-2131](#) [M902-2161](#) [M902-2344](#) [72.330.1035.1](#) [73.353.4028.0](#) [F119300-B](#) [F166900](#) [F258300-B](#)
[F358300-B](#) [F407400](#) [F444110](#) [F487000](#) [F509500B-B](#) [827153-1](#) [8N1515-32-24P](#) [9-1326729-8](#) [925474-1](#) [928905-1](#) [964562-4](#) [968782-1](#)
[GT17SA-8DS-HU](#) [98891-1012](#) [98947-1016](#) [12004147](#) [12004475-L](#) [12010290](#) [12015454](#) [12020219-B](#) [12041318-B](#) [12052225-L](#) [12052466](#)
[12064869](#) [12004327-B](#) [12015308](#) [12015384](#) [12015909](#) [1-21030-1](#) [12041254](#) [12041318](#) [12047946-B](#) [12047957](#) [12047957-L](#) [12059473](#)
[12066261](#) [12110546](#) [12110546-B](#) [12131792](#)