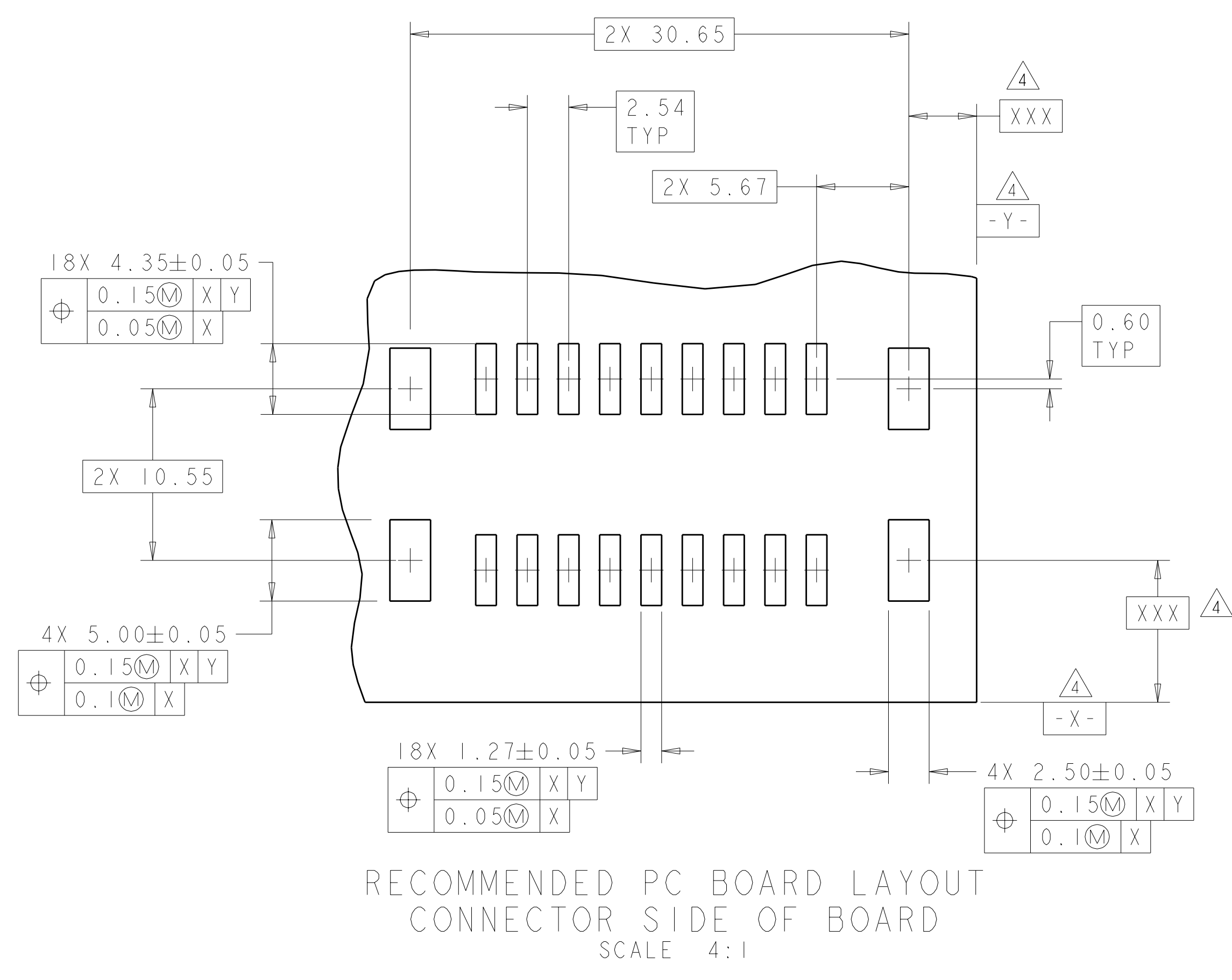
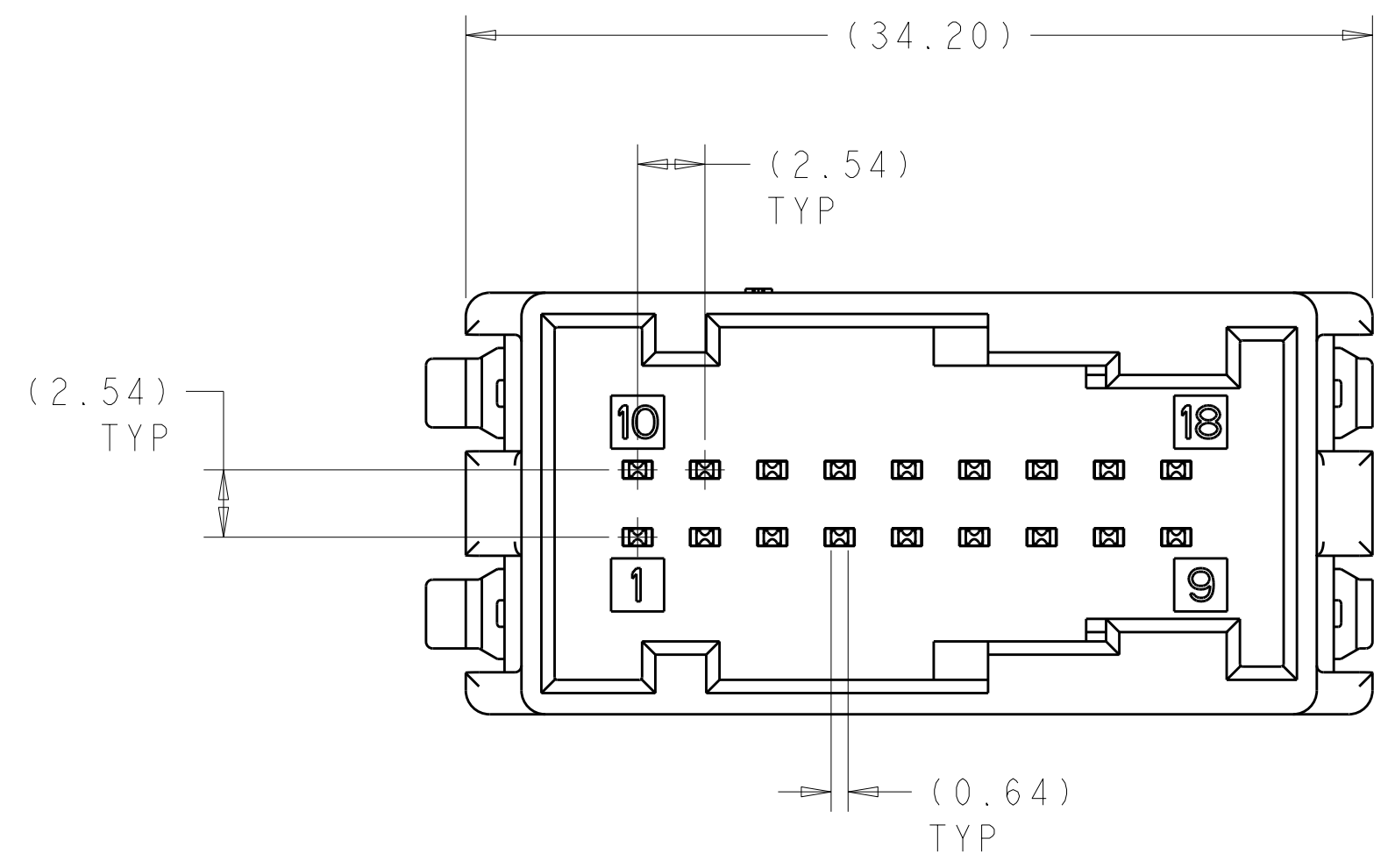
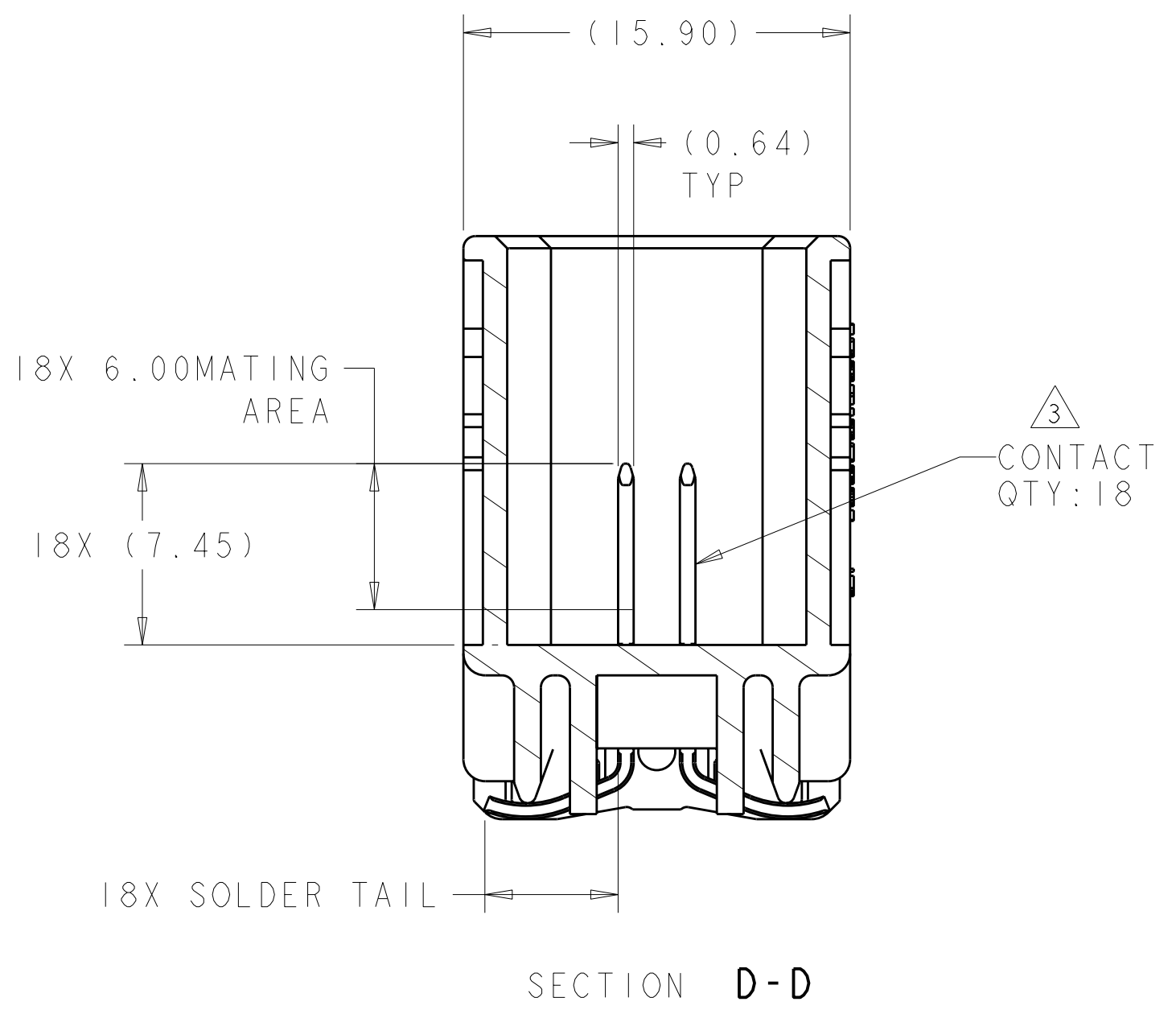
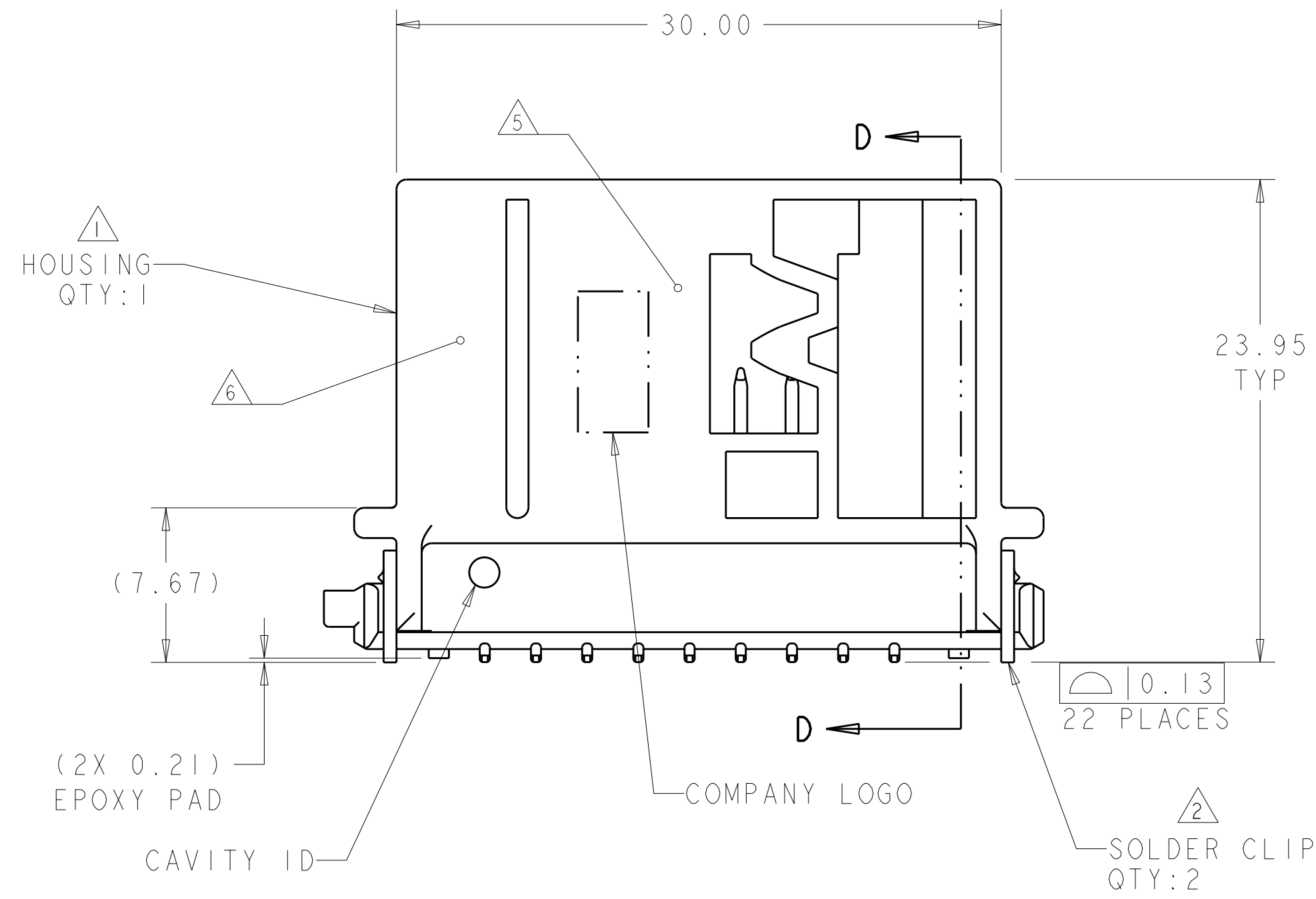


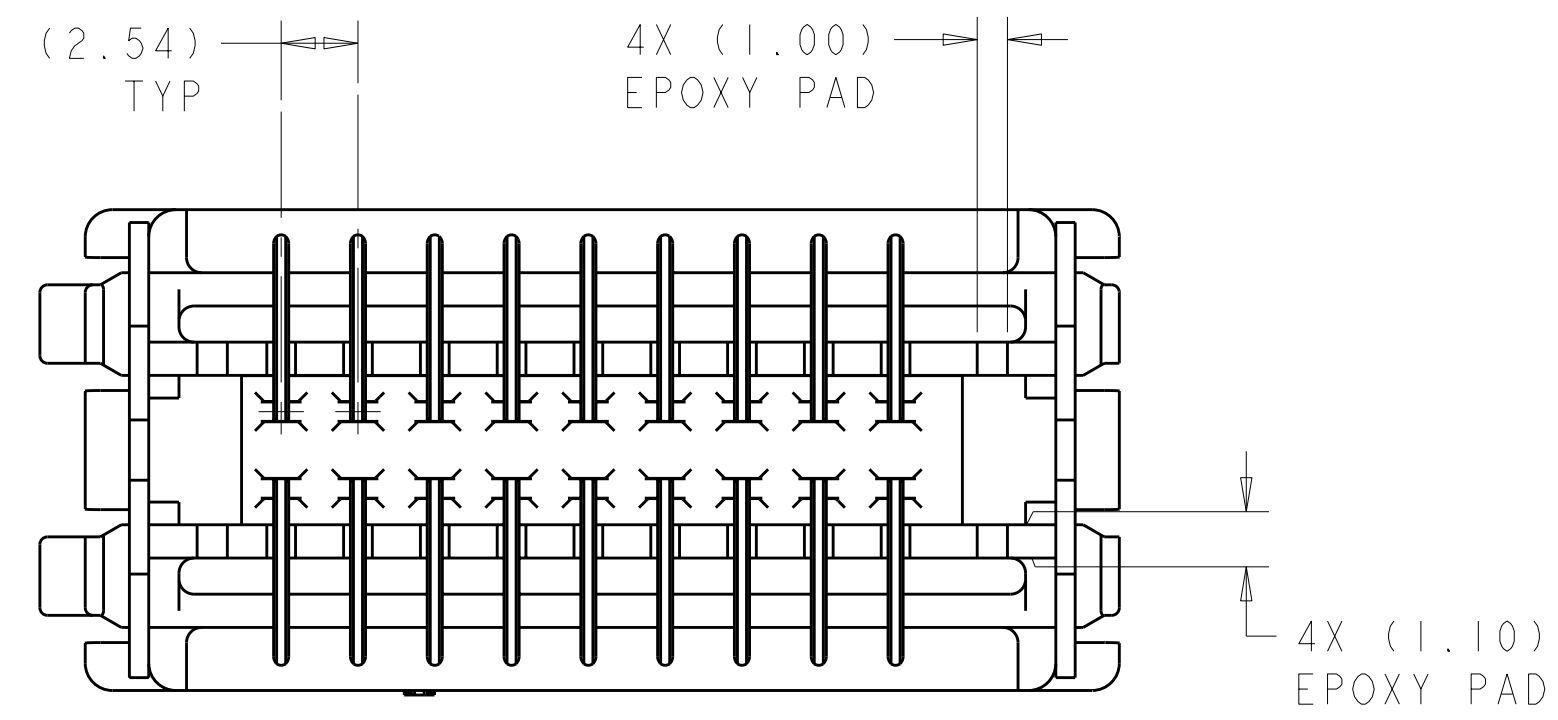
LOC	DIST	REVISIONS			
P	LTB	DESCRIPTION	DATE	DWN	APVD
A		REV PER ECO-06-005840	19OCT2005	HM	DF
B		REVISED PER ECR-07-001558	30JAN2007	AH	MT
C		REVISED PER ECR-07-023989	10OCT2007	AH	MT
C1		REV PER ECR-10-011823	31MAY2010	VSS	CS



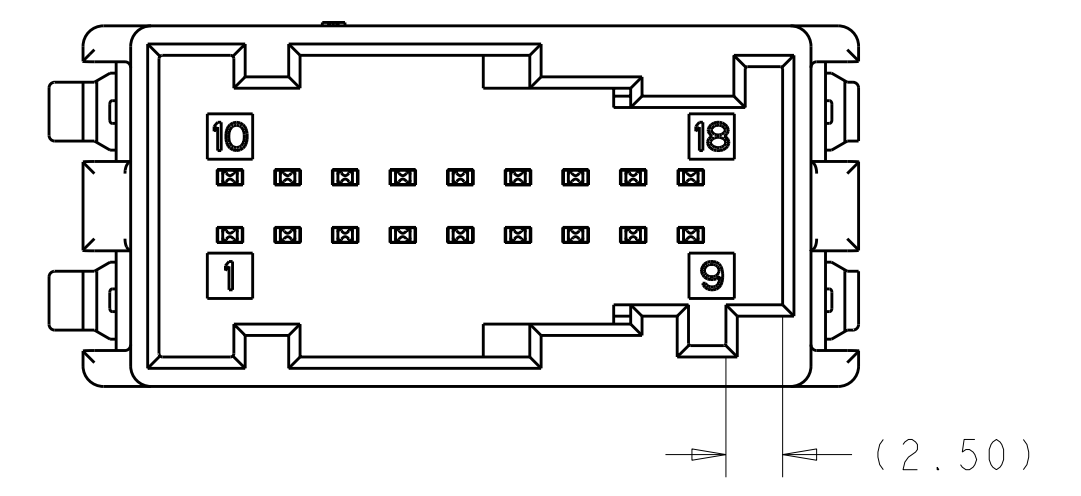
RECOMMENDED PC BOARD LAYOUT
 CONNECTOR SIDE OF BOARD
 SCALE 4:1



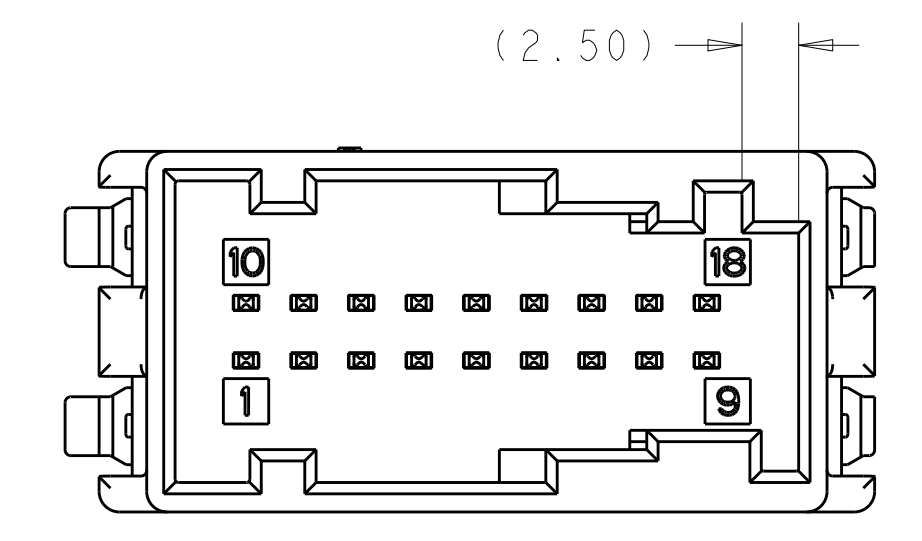
SECTION D-D



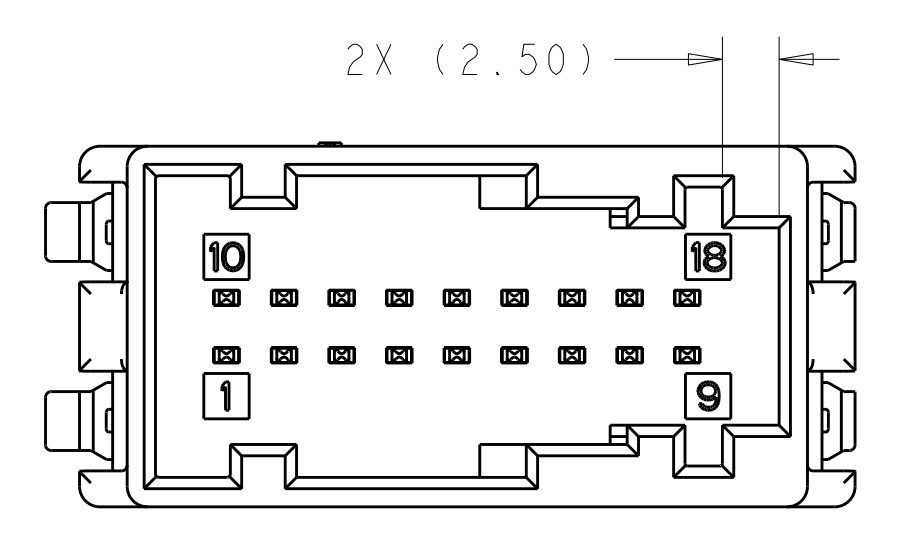
- ① HOUSING: PCT, COLOR - SEE TABLE
 CONTACTS: BRASS
 SOLDER CLIP: BRASS
- ② SOLDER CLIP: 3.8µm MIN TIN OVER 1.27µm MIN NICKEL
- ③ CONTACT: 0.8µm MIN TIN IN MATING AREA AND 2.5µm MIN TIN IS SOLDER TAIL ALL OVER 1.00µm NICKEL
- ④ DATUMS AND BASIC DIMENSIONS ESTABLISHED BY THE CUSTOMER
- ⑤ ASSEMBLY DATE CODE SIDE OR END.
- ⑥ PRODUCT PART NUMBER SIDE OR END.
- ⑦ PRELIMINARY PART NUMBER, NOT RELEASED FOR PRODUCTION.



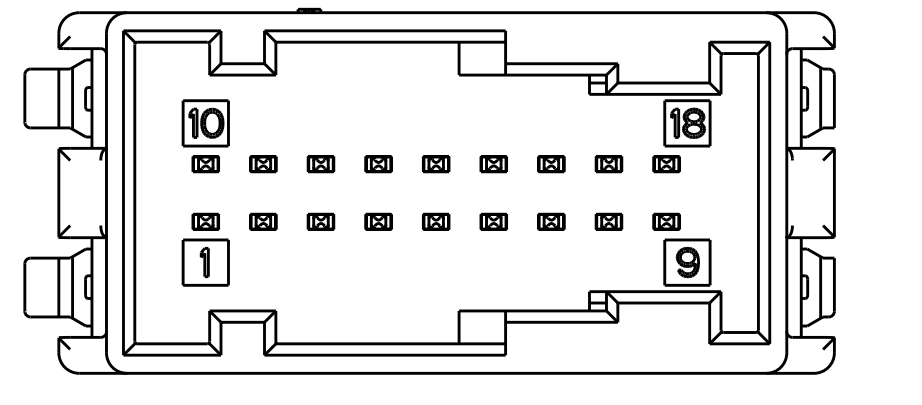
KEYING CODE "CE"
 SCALE 3:1



KEYING CODE "BF"
 SCALE 3:1



KEYING CODE "BE"
 SCALE 3:1



KEYING CODE "CF"
 SCALE 3:1

NON RETURNABLE	KEYING CODE "BE"	NATURAL	1-1438543-2
NON RETURNABLE	KEYING CODE "CF"	BLACK	1-1438543-1
RETURNABLE	KEYING CODE "CE"	GREEN	1438543-4
RETURNABLE	KEYING CODE "BF"	PURPLE	1438543-3
RETURNABLE	KEYING CODE "BE"	NATURAL	1438543-2
RETURNABLE	KEYING CODE "CF"	BLACK	1438543-1
PACKAGE TUBE	KEYING CODE	COLOR	PART NUMBER

DIMENSIONS:		TOLERANCES UNLESS OTHERWISE SPECIFIED:		DWN H. MOLL 04DEC2003		Tyco Electronics Tyco Electronics	
mm	9 PLC ±	9 PLC ±		CHK D. FRY 17MAY2004	Harrisburg, PA 17105-3608		
	5 PLC ±0.25	5 PLC ±		APVD D. FRY 26APR2004	NAME		
	4 PLC ±	4 PLC ±		PRODUCT SPEC	HEADER ASSY, 18 WAY, VERTICAL, WITH SOLDER CLIPS, SURFACE MOUNT, LAC		
	ANGLES ±	ANGLES ±		APPLICATION SPEC	SIZE CAGE CODE DRAWING NO RESTRICTED TO		
MATERIAL	FINISH	FINISH		WEIGHT	A11 00779 C=1438543		
SEE CALLOUTS				CUSTOMER DRAWING			

X-ON Electronics

Largest Supplier of Electrical and Electronic Components

Click to view similar products for [Rectangular MIL Spec Connectors](#) category:

Click to view products by [TE Connectivity](#) manufacturer:

Other Similar products are found below :

[891-011-15SA2-BSST](#) [CTS-S16/16](#) [65002-062](#) [CY4602-000](#) [732-8020-01](#) [77058-22-55PN](#) [81542-20](#) [86.030.0053.0](#) [1241346-1](#) [RM252-020-311-2900](#) [DMC-M 08-16 SA](#) [1589051-4](#) [MSO34MPK1E1](#) [BACC65CAMA](#) [BACC65CP1PN](#) [BACI10BC0816PNBA](#) [HSB-D4S03DM222X](#) [2217548-1](#) [891-006-9PS-BST1T](#) [891-009-15SA2-BRT1T](#) [27963-20T12](#) [SIM2N40NC3](#) [SIM2S100A](#) [1604996-2](#) [SMD25PN90L-4055](#) [1900ND08S1B00A](#) [22628-10-6P-791](#) [33526M11-08PD](#) [RE04-212S](#) [M32139/03-G05SN](#) [CTD160E01F-6148](#) [CTJ112E03B](#) [CTJ122E02D-8000](#) [CTJ-3D-12](#) [CTJ920E06N-513](#) [CTJ920E12N-513](#) [CTL-16-090](#) [RM300-000-581-0000](#) [CY4600-000](#) [CY4601-000](#) [38111-14-15SN](#) [38112-14-15PN](#) [MMA23-0111R1](#) [MMD25-0071P1](#) [33516062020](#) [33526M11-08PE](#) [DMC-M99-01AN](#) [Y59113WE20PNV00300](#) [ZPF000000000106310](#) [105979-31](#)