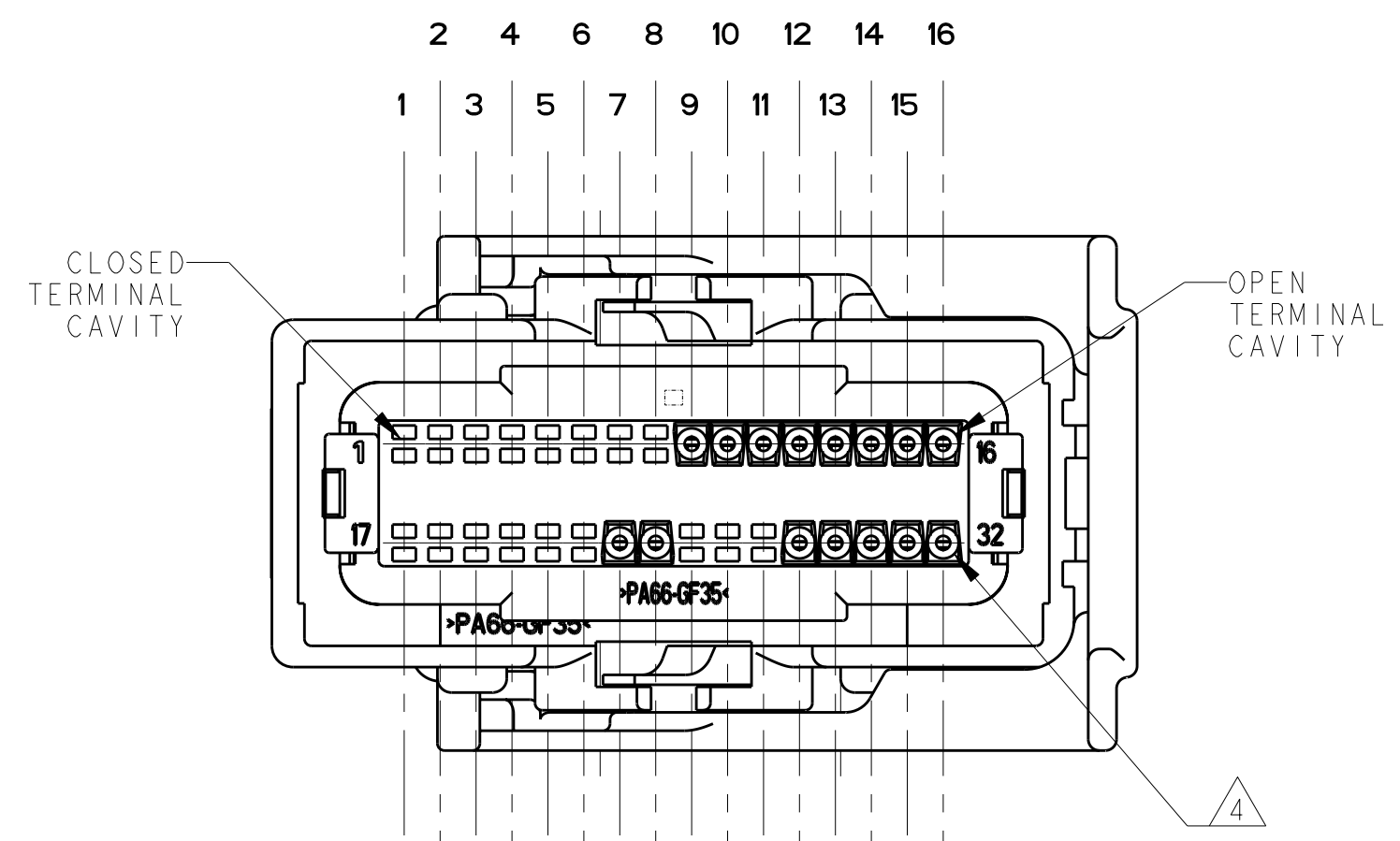
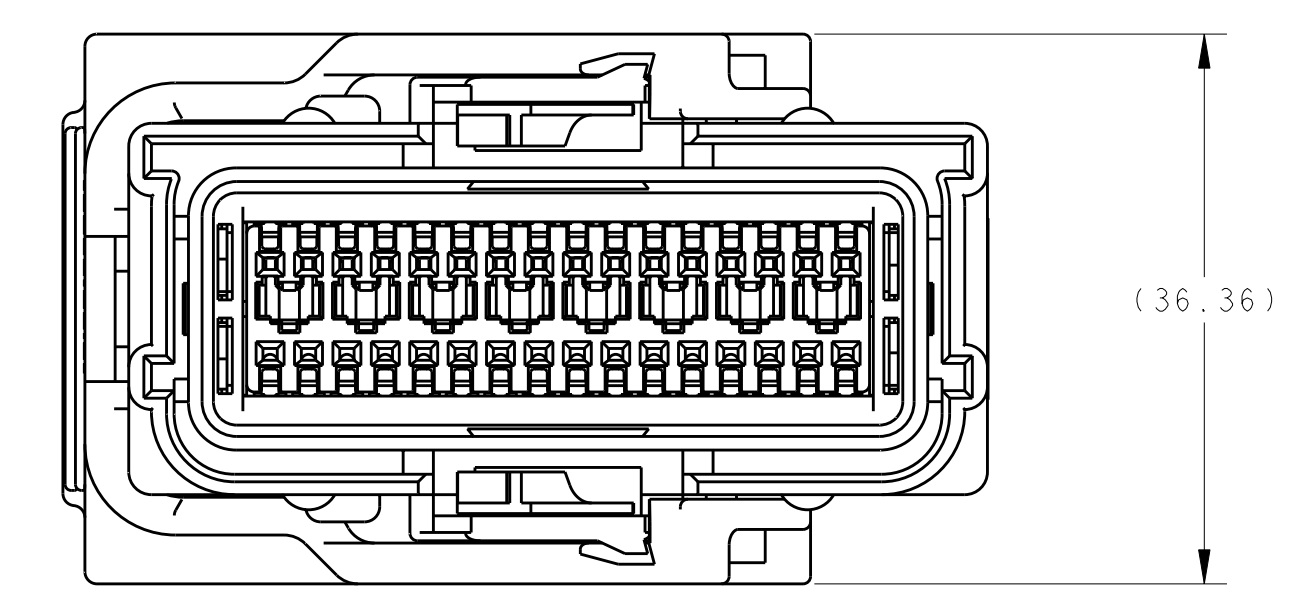
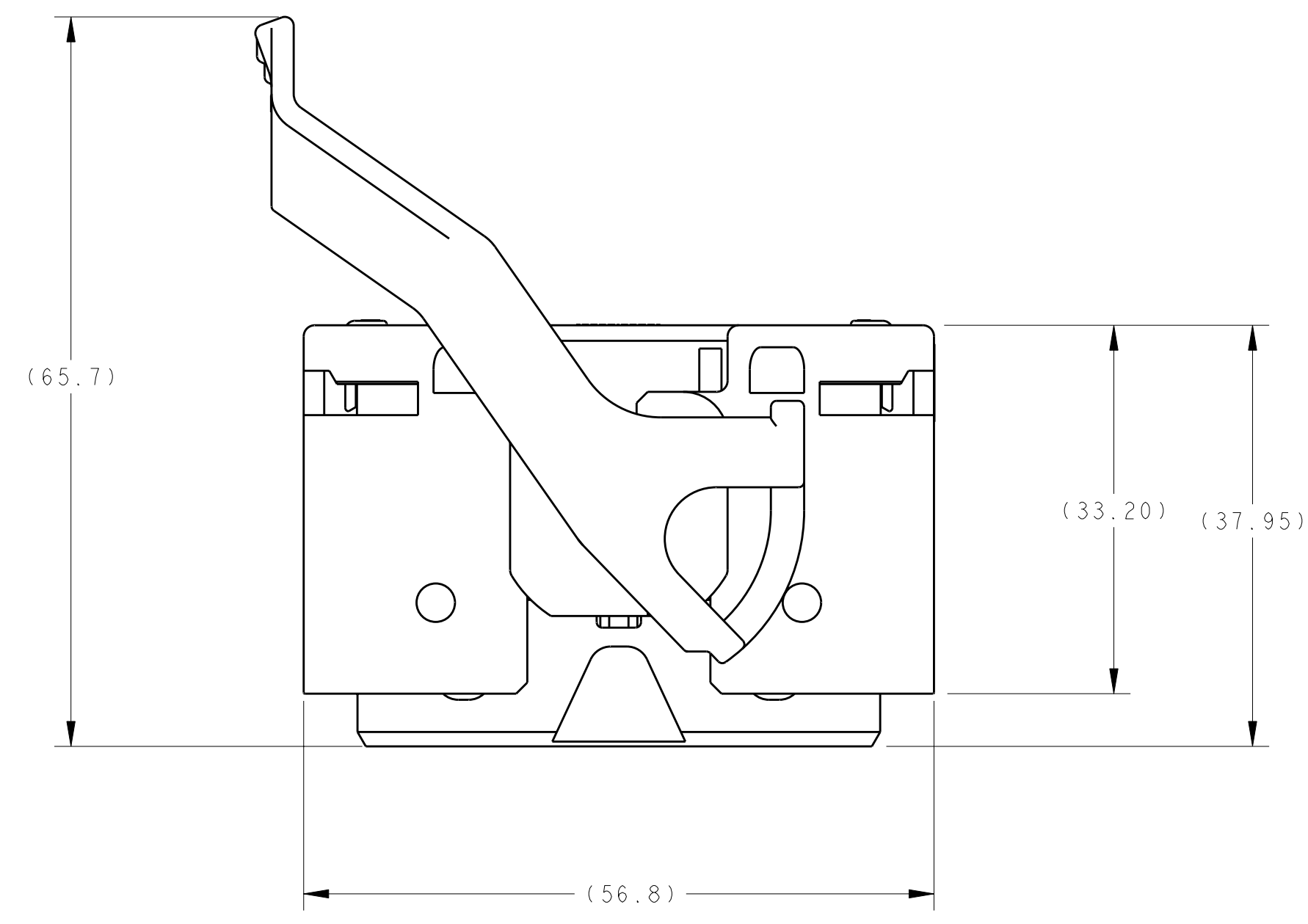
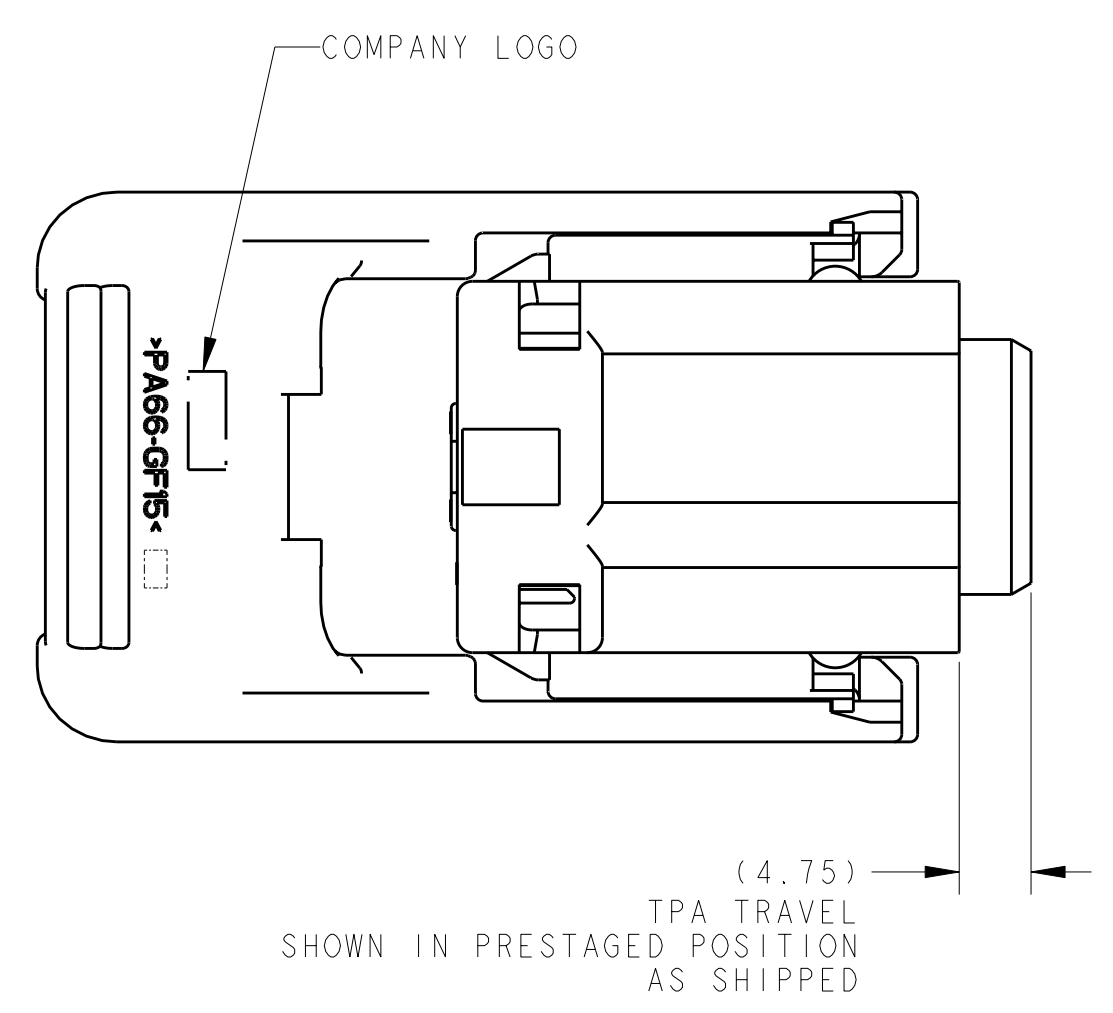
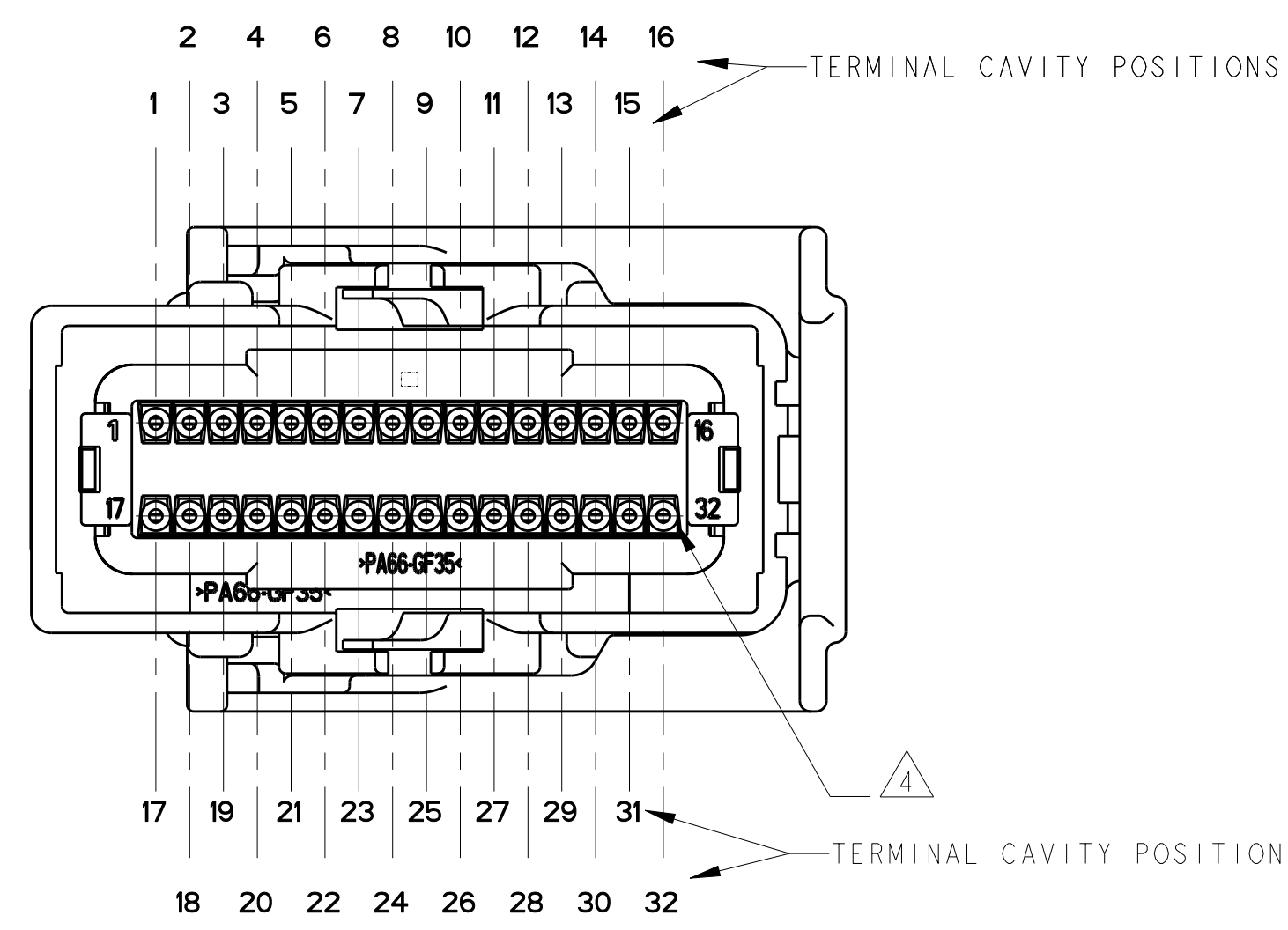


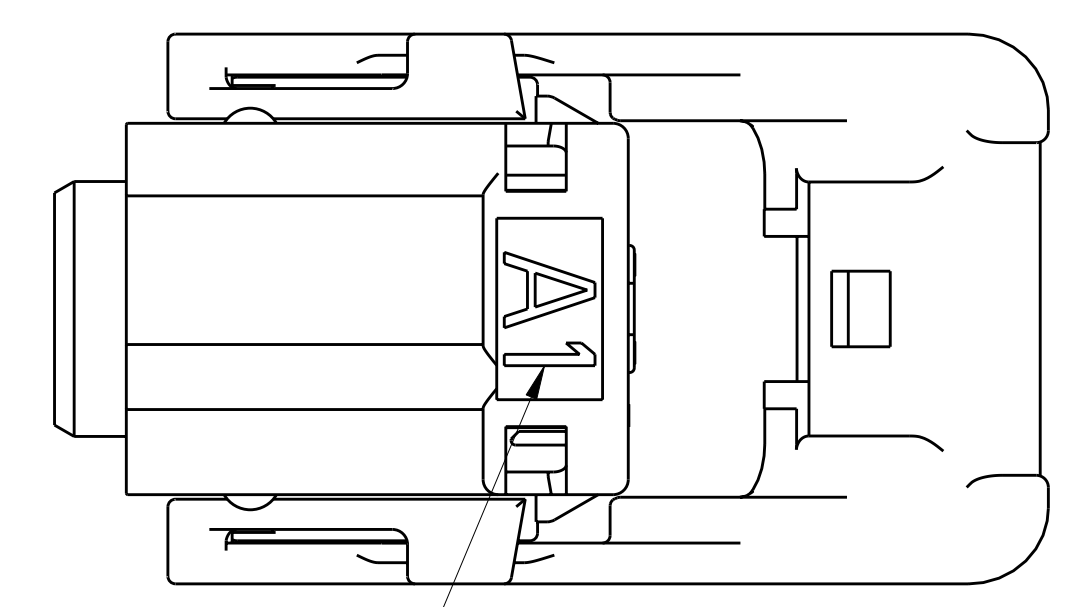
LOC	DIST	REV	DATE	BY	APPD
IN	00				
REVISIONS					
		1			



PART NUMBER: 1-1438640-1 SHOWN
 FOR REFERENCE ONLY



PART NUMBER: 1438640-1 SHOWN



KEYING CODE LOCATED AS SHOWN
 SEE TABLE ON SHEET 1

THIS DRAWING IS A CONTROLLED DOCUMENT.		DWN: D. J. HARDY 17AUG2004	TE Connectivity
DIMENSIONS: mm		CHK: F. KINSEY 28SEP2004	
TOLERANCES UNLESS OTHERWISE SPECIFIED:		APVD: F. KINSEY 28SEP2004	NAME: PLUG ASSEMBLY, SEALED, 32 POSITION, SHUNTED, 0.64mm
9 PLC ±		PRODUCT SPEC: 108-2217	SIZE: A100779
3 PLC ±		APPLICATION SPEC: 408-10078	CAGE CODE: C=1438640
5 PLC ±		WEIGHT: -	RESTRICTED TO: -
4 PLC ±		CUSTOMER DRAWING	SCALE: 2:1 SHEET 2 OF 5
ANGLES ±			REP: B16
FINISH ±			

LOC	DIST	REV	DATE	BY	APPD
1	N	00			

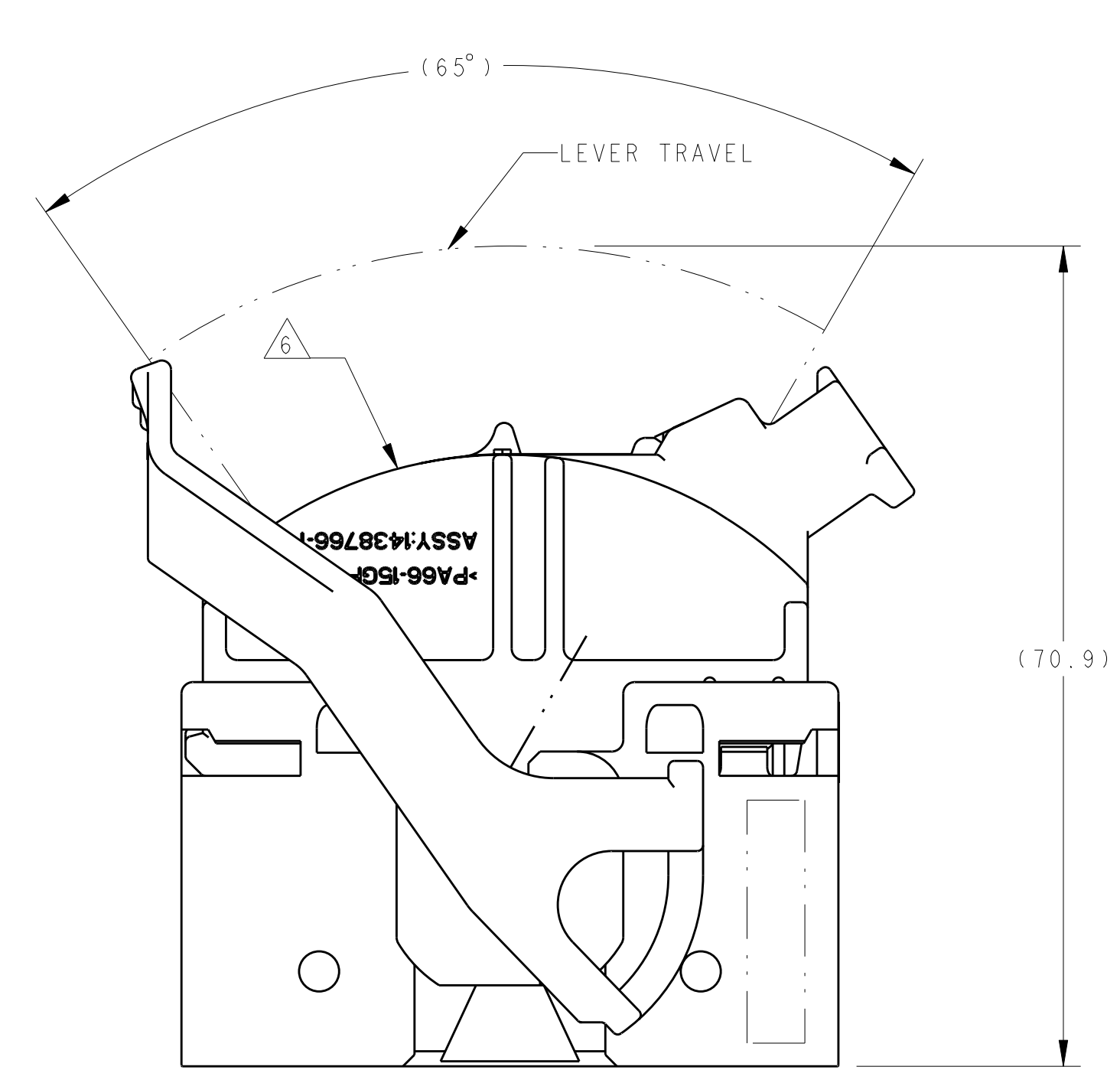


FIGURE 1
SHOWING WIRE DRESS
AND LEVER IN
STANDARD ORIENTATION
WITH KEYING CODE A1

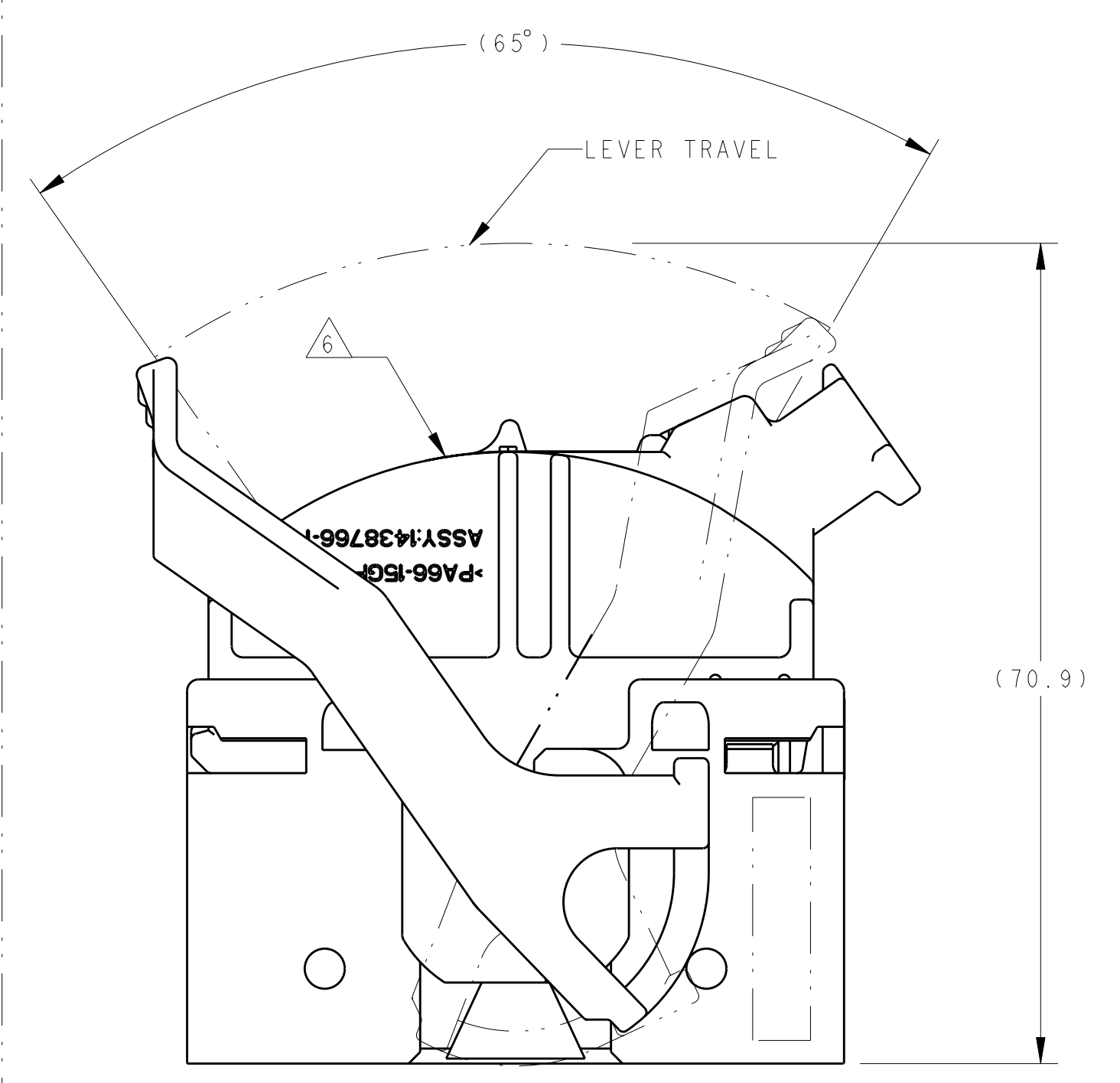


FIGURE 2
SHOWING WIRE DRESS
AND LEVER IN
STANDARD ORIENTATION
WITH KEYING CODE B1

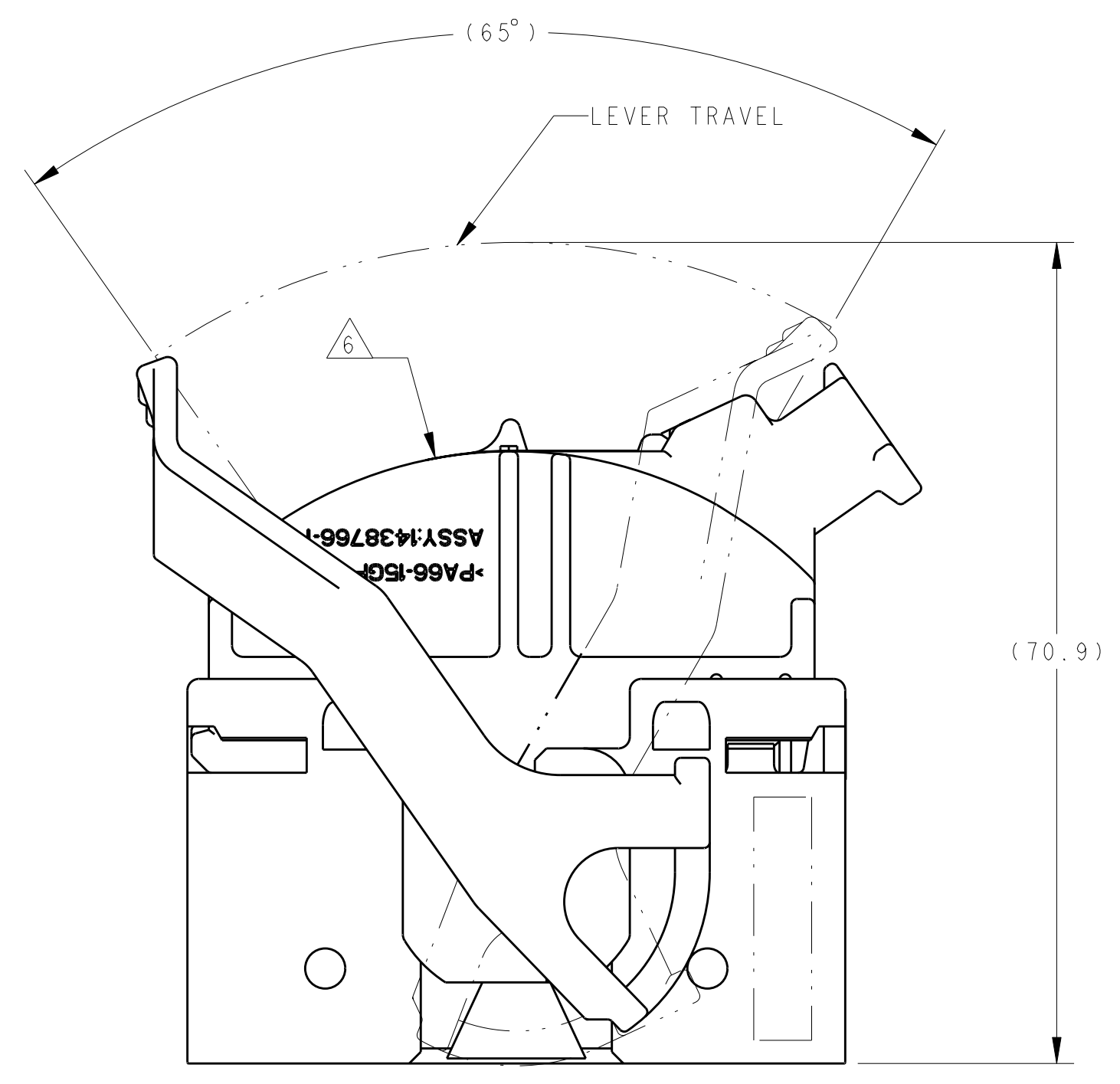


FIGURE 3
SHOWING WIRE DRESS
AND LEVER IN
STANDARD ORIENTATION
WITH KEYING CODE B2

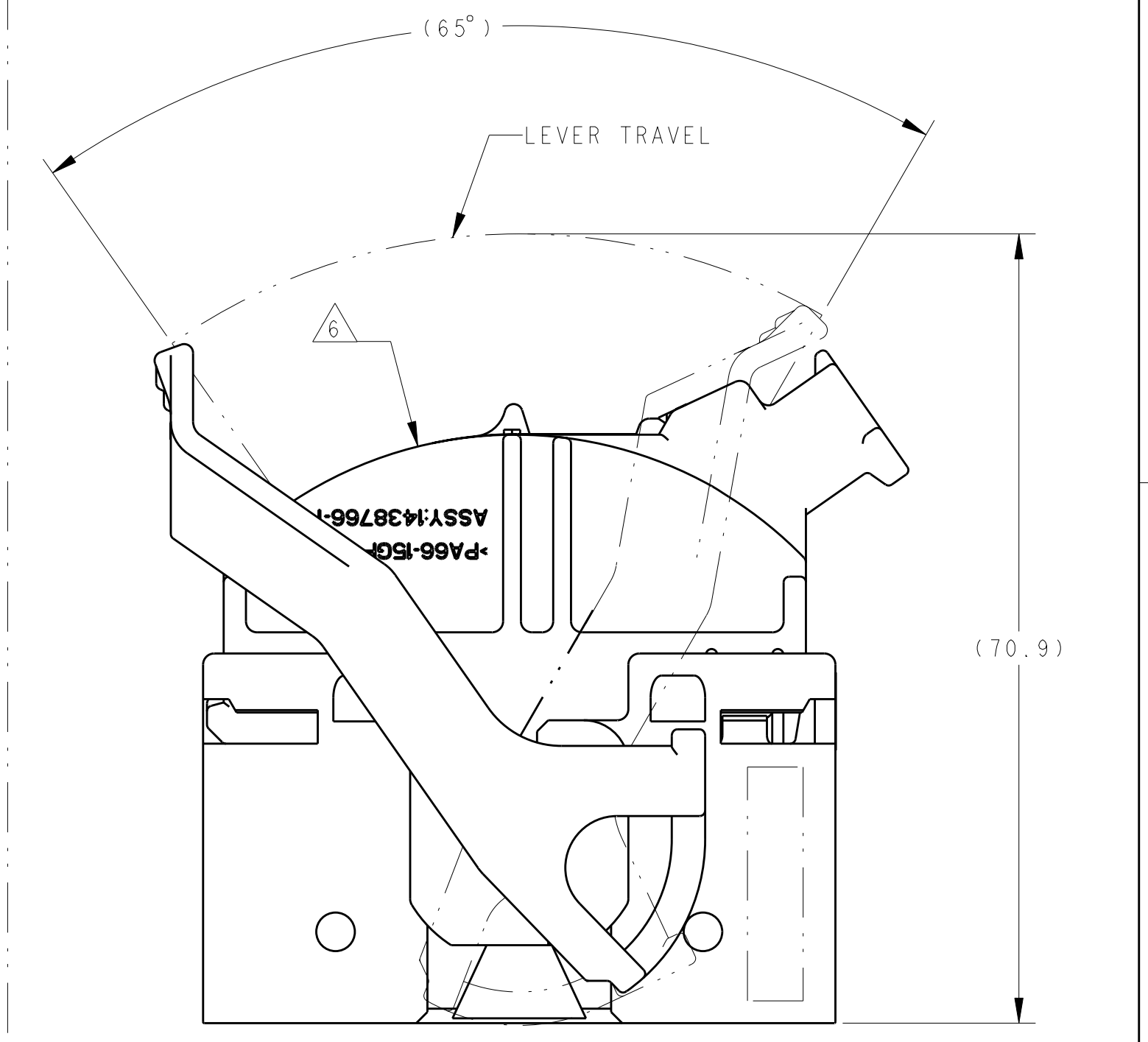
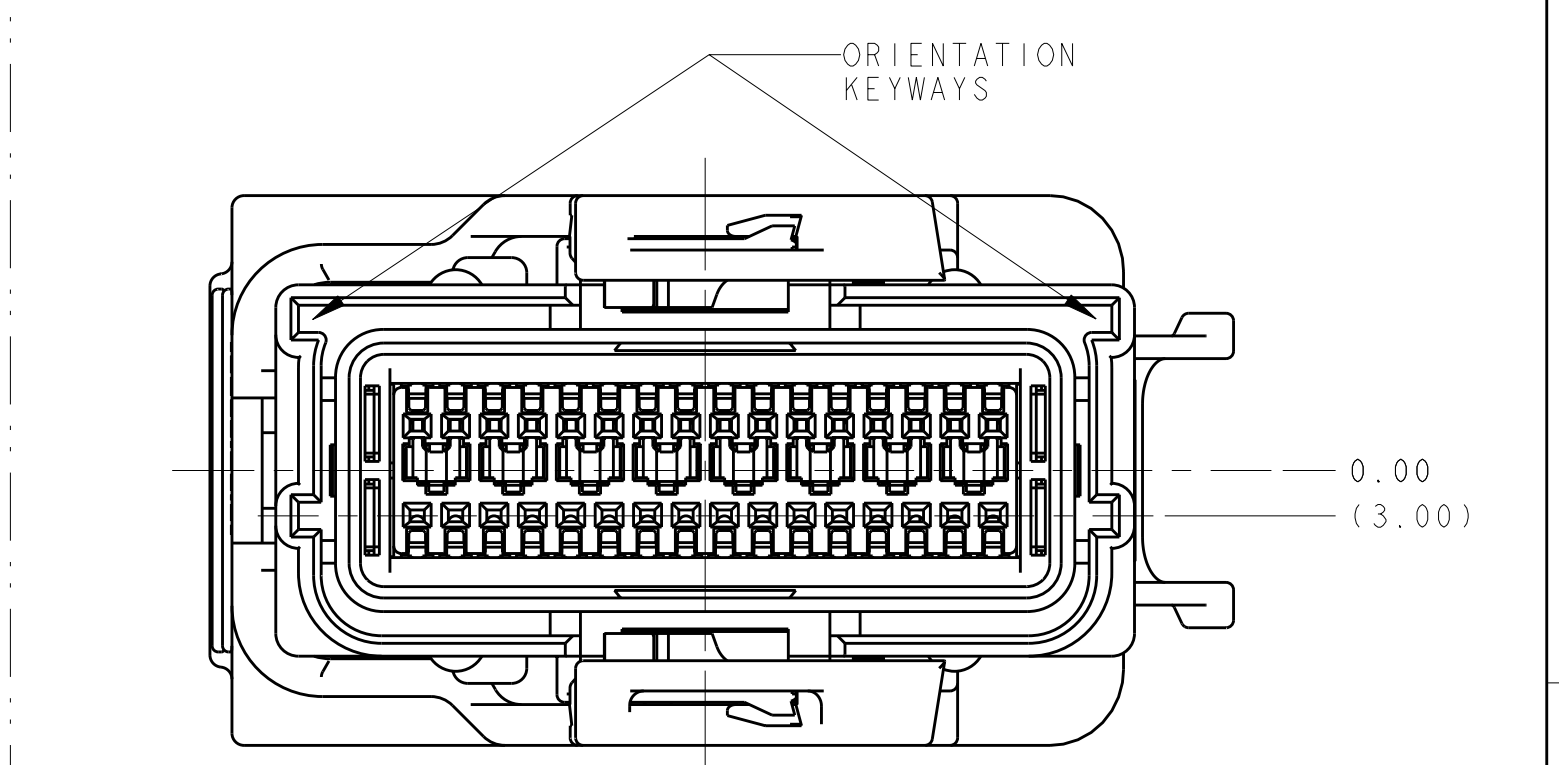
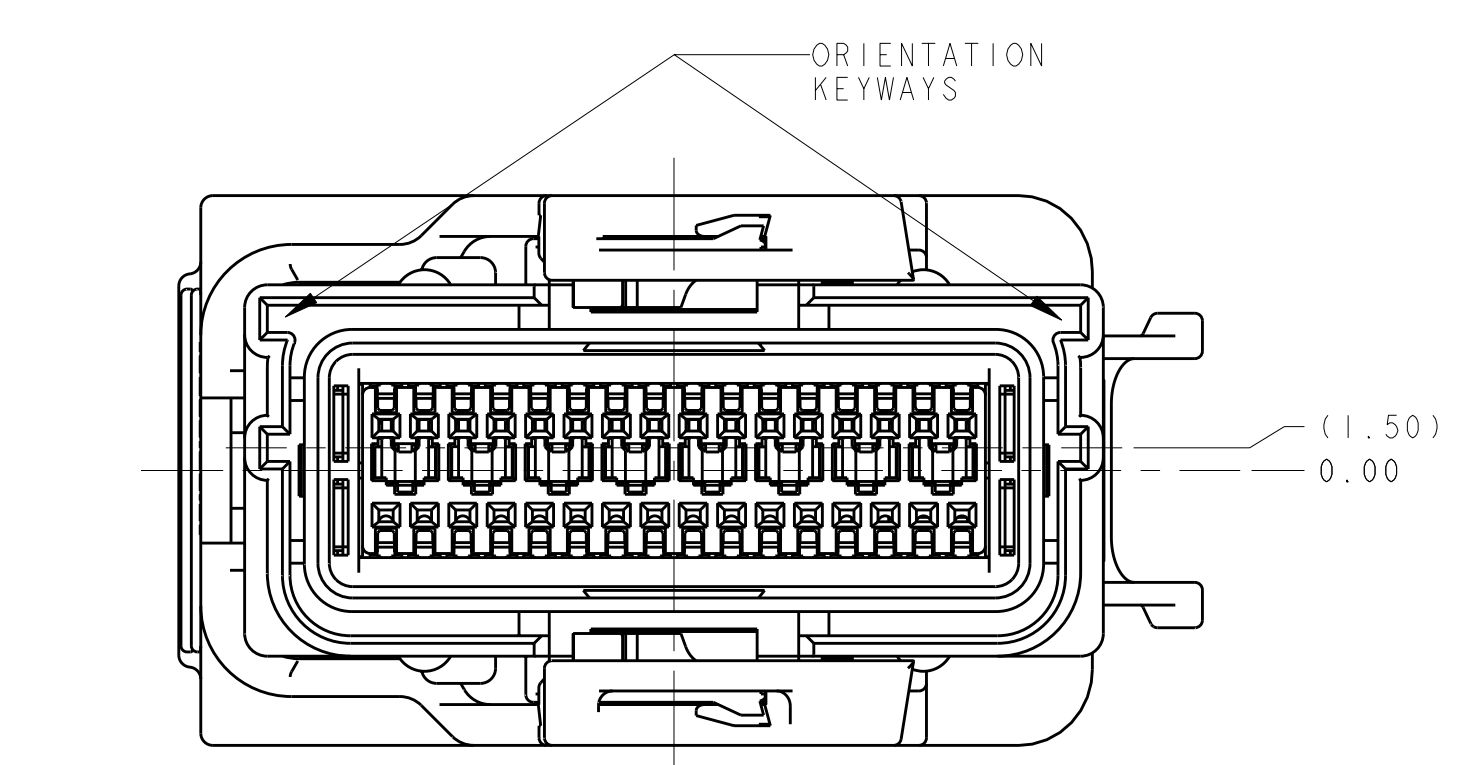
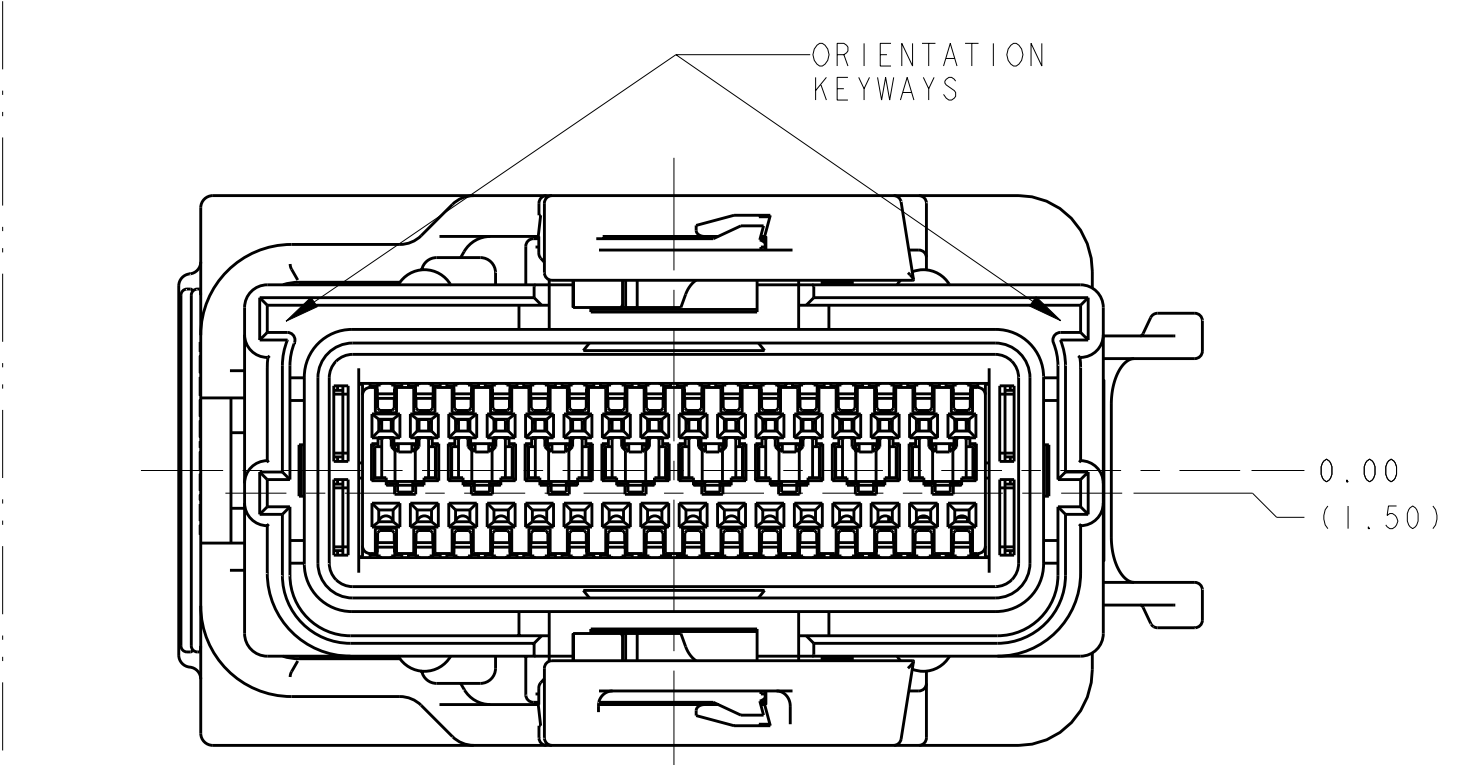
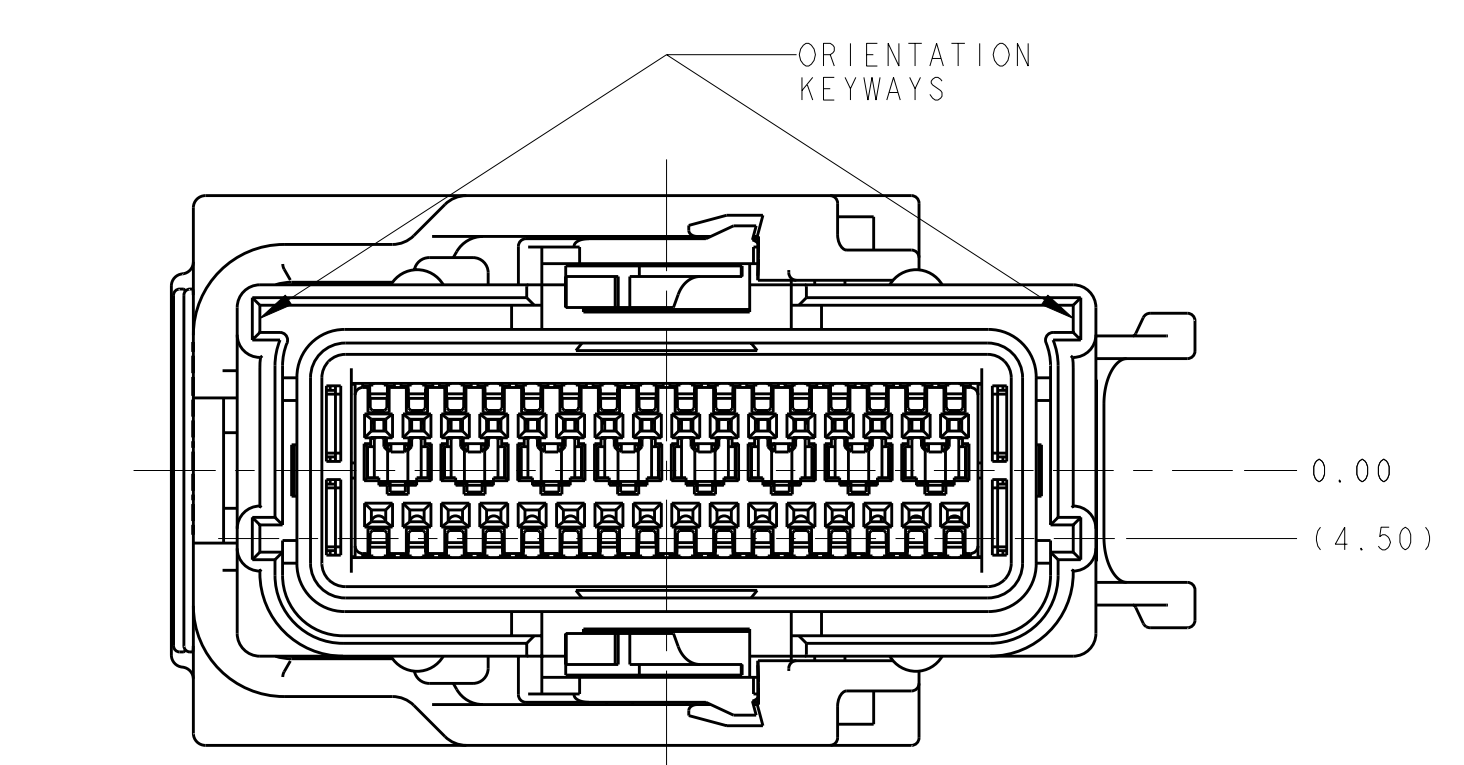


FIGURE 4
SHOWING WIRE DRESS
AND LEVER IN
STANDARD ORIENTATION
WITH KEYING CODE A2



THIS DRAWING IS A CONTROLLED DOCUMENT.		DWN D. J. HARDY	17AUG2004	STE TE Connectivity
DIMENSIONS: mm		CHK F. KINSEY	28SEP2004	
TOLERANCES UNLESS OTHERWISE SPECIFIED:		APVD F. KINSEY	28SEP2004	NAME PLUG ASSEMBLY, SEALED, 32 POSITION, SHUNTED, 0.64mm
9 PLC ±		PRODUCT SPEC		
1 PLC ±		108-2217		SIZE CAGE CODE DRAWING NO. RESTRICTED TO
3 PLC ±		APPLICATION SPEC		
4 PLC ±		408-10078		A100779C=1438640
ANGLES ±		WEIGHT		
FINISH		CUSTOMER DRAWING		SCALE 2:1 SHEET 3 OF 5

LOC	DIST	REV	DATE	BY	APPD
IN	00				

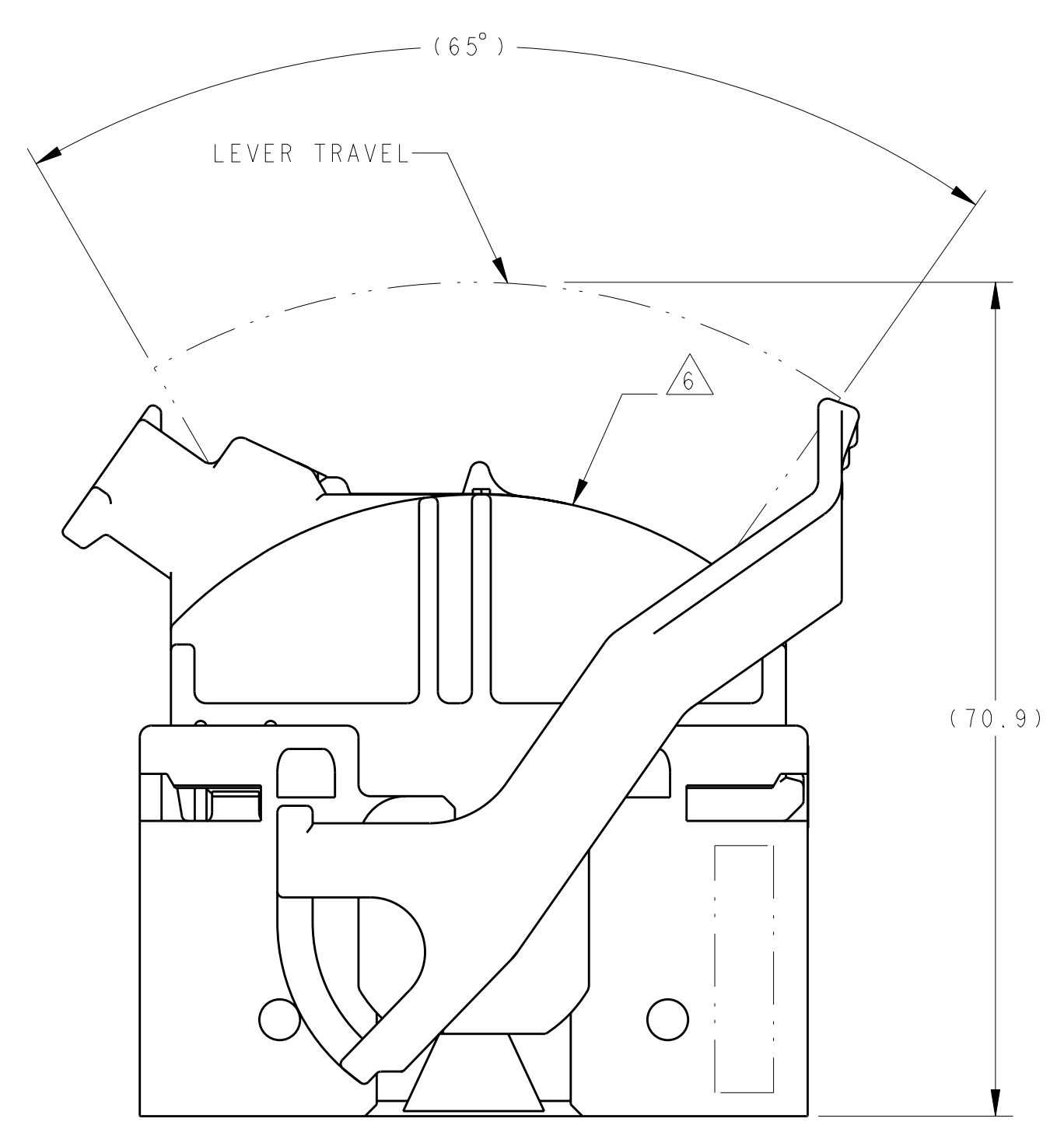


FIGURE 5
SHOWING WIRE DRESS
AND LEVER IN
ALTERNATE ORIENTATION
WITH KEYING CODE A1

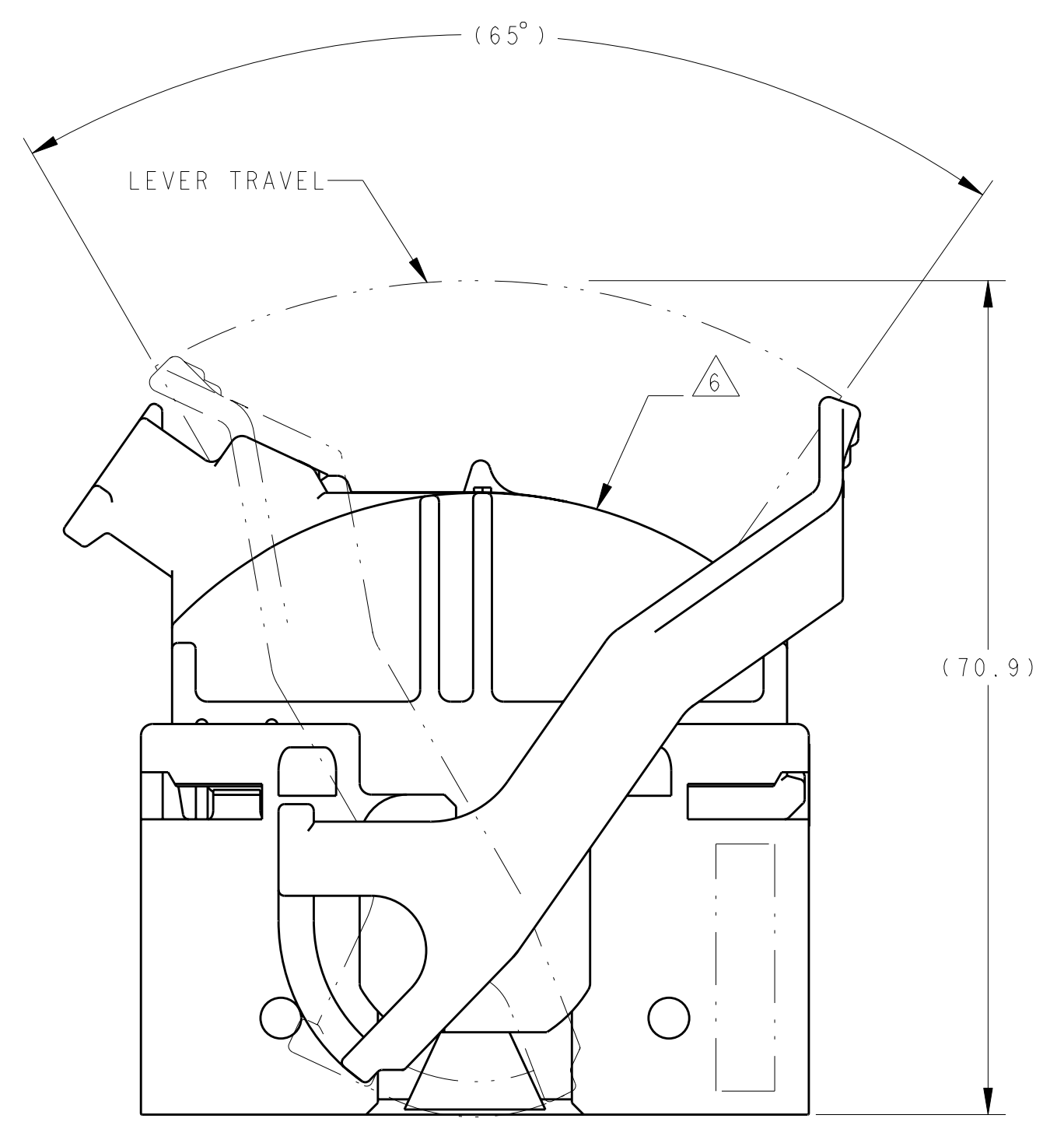


FIGURE 6
SHOWING WIRE DRESS
AND LEVER IN
ALTERNATE ORIENTATION
WITH KEYING CODE B1

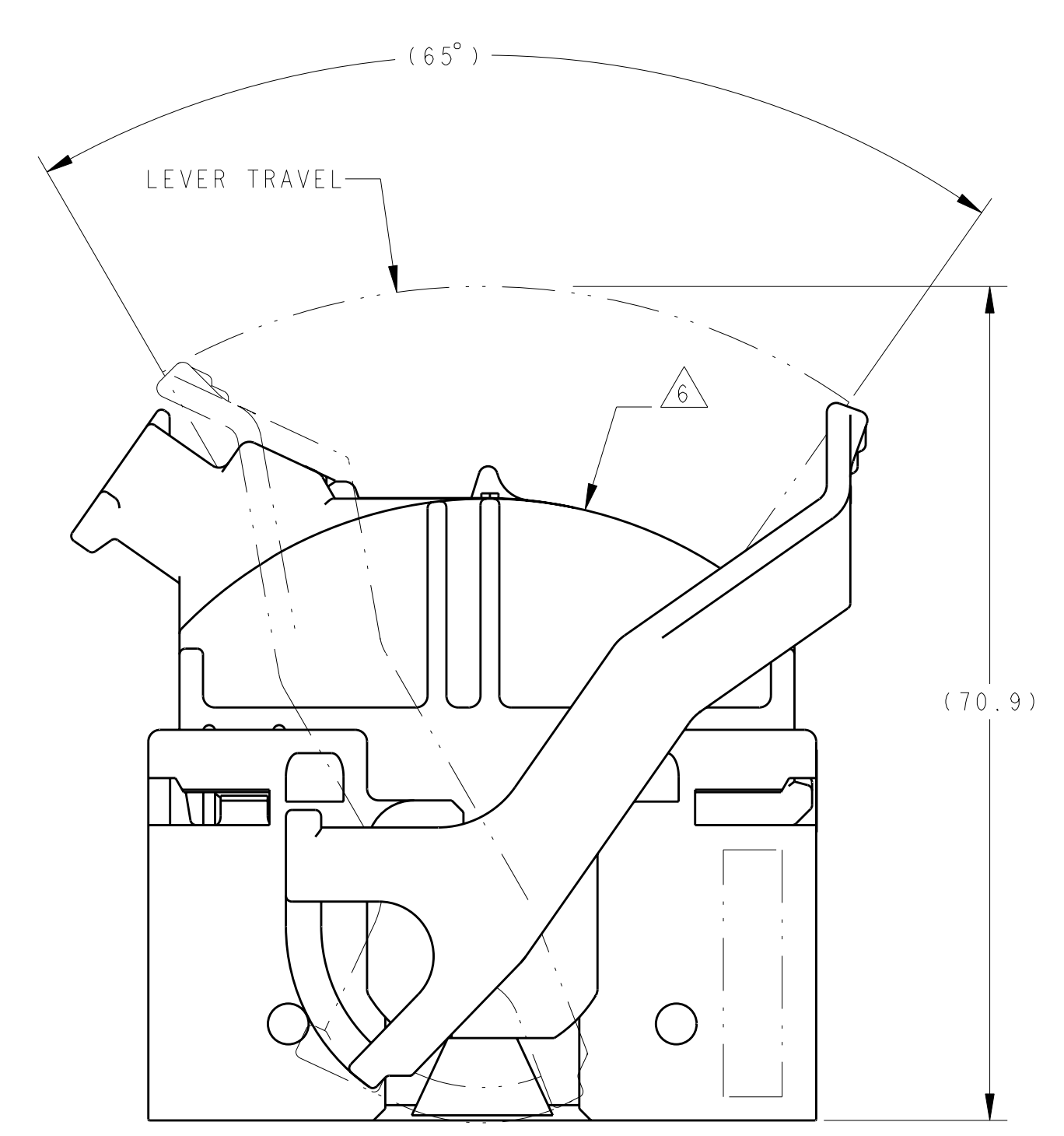


FIGURE 7
SHOWING WIRE DRESS
AND LEVER IN
ALTERNATE ORIENTATION
WITH KEYING CODE B2

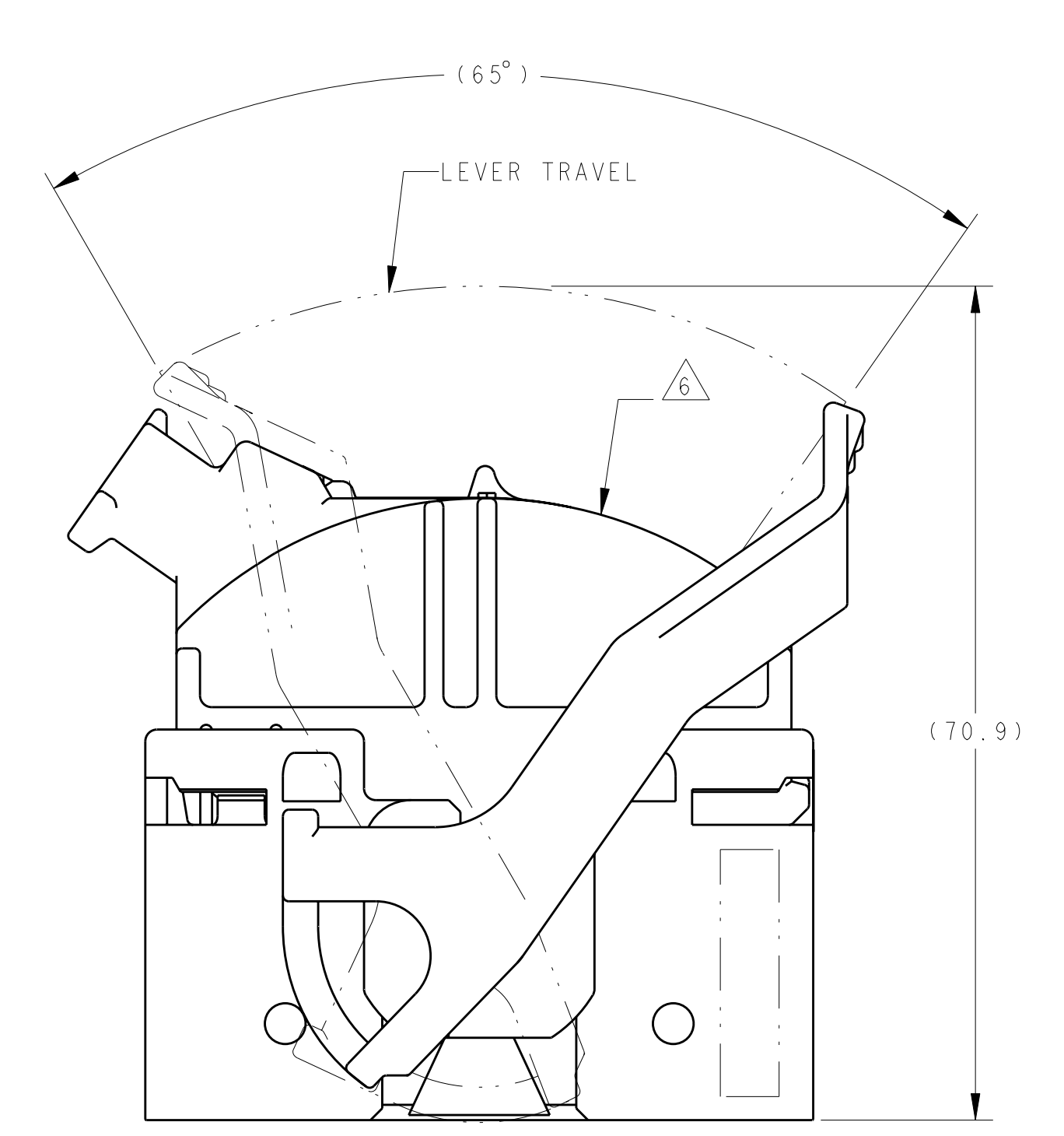
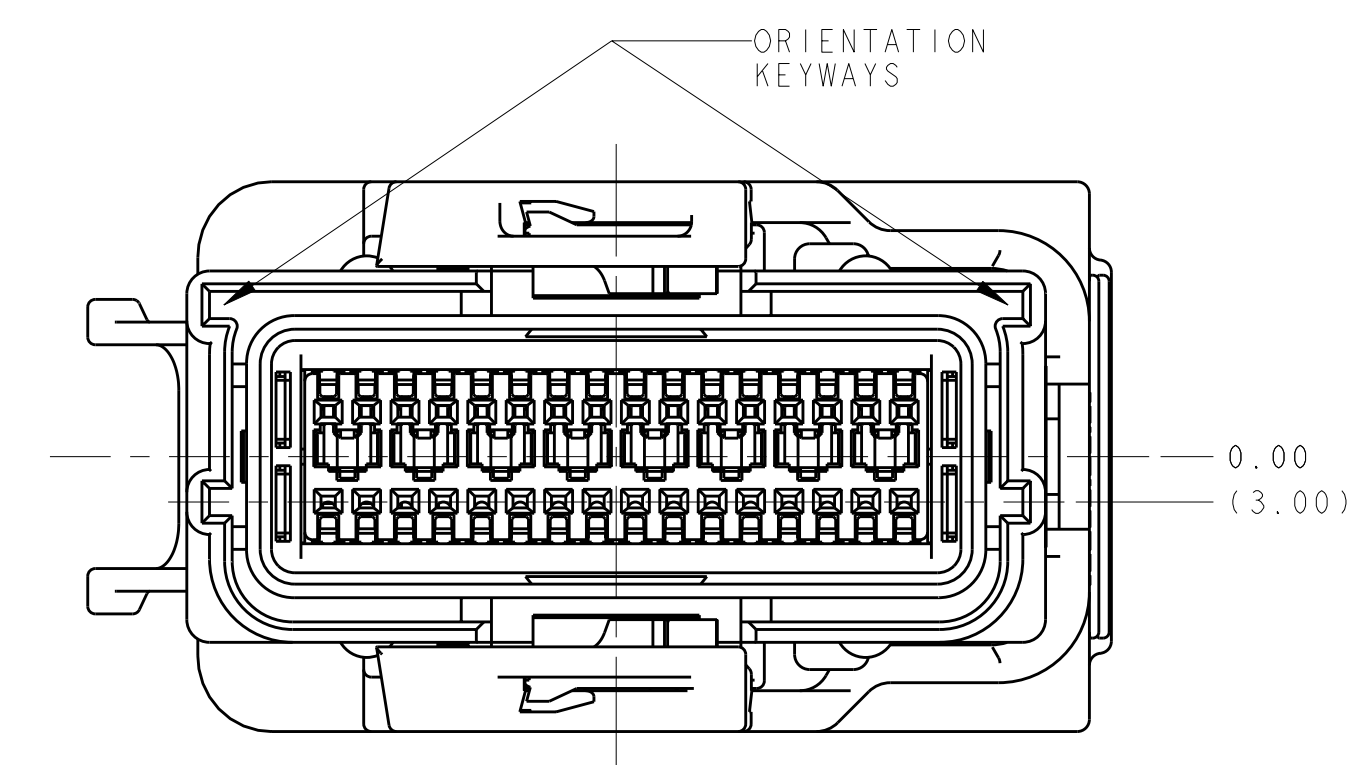
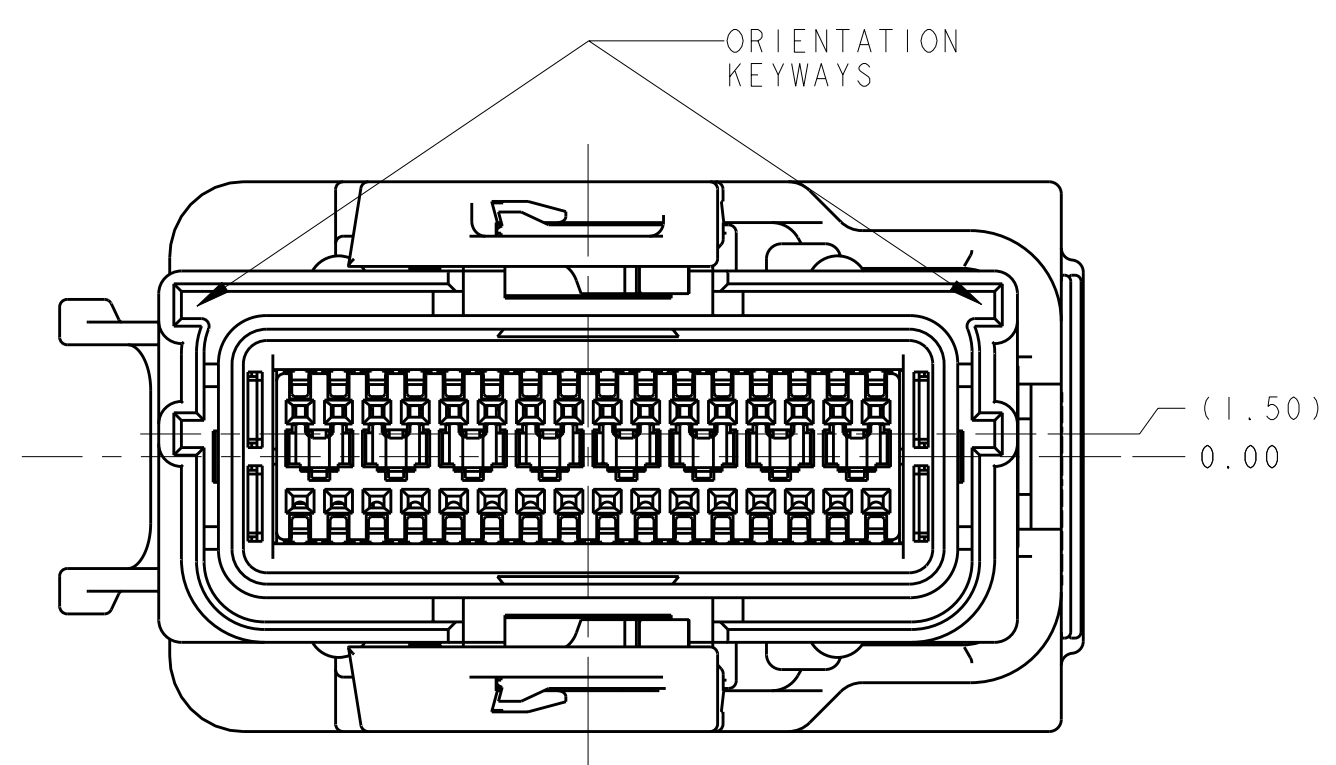
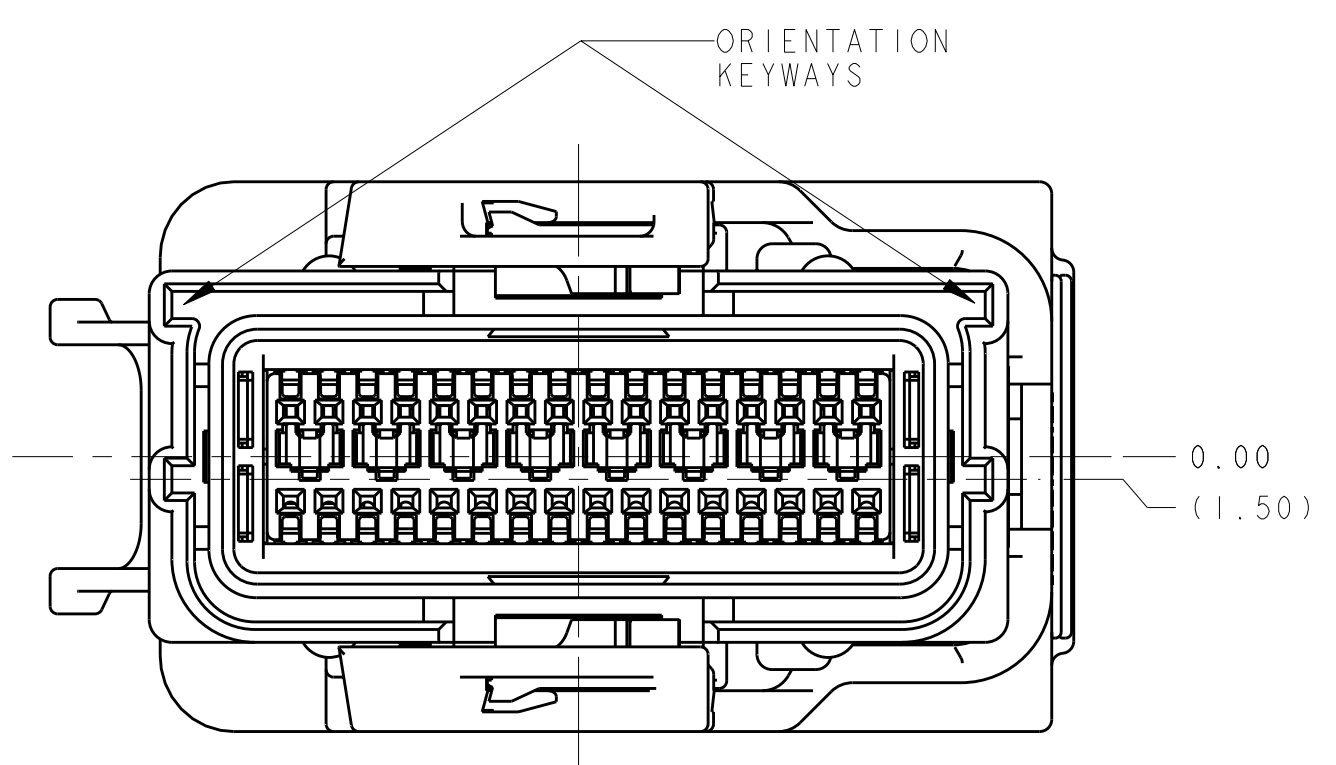
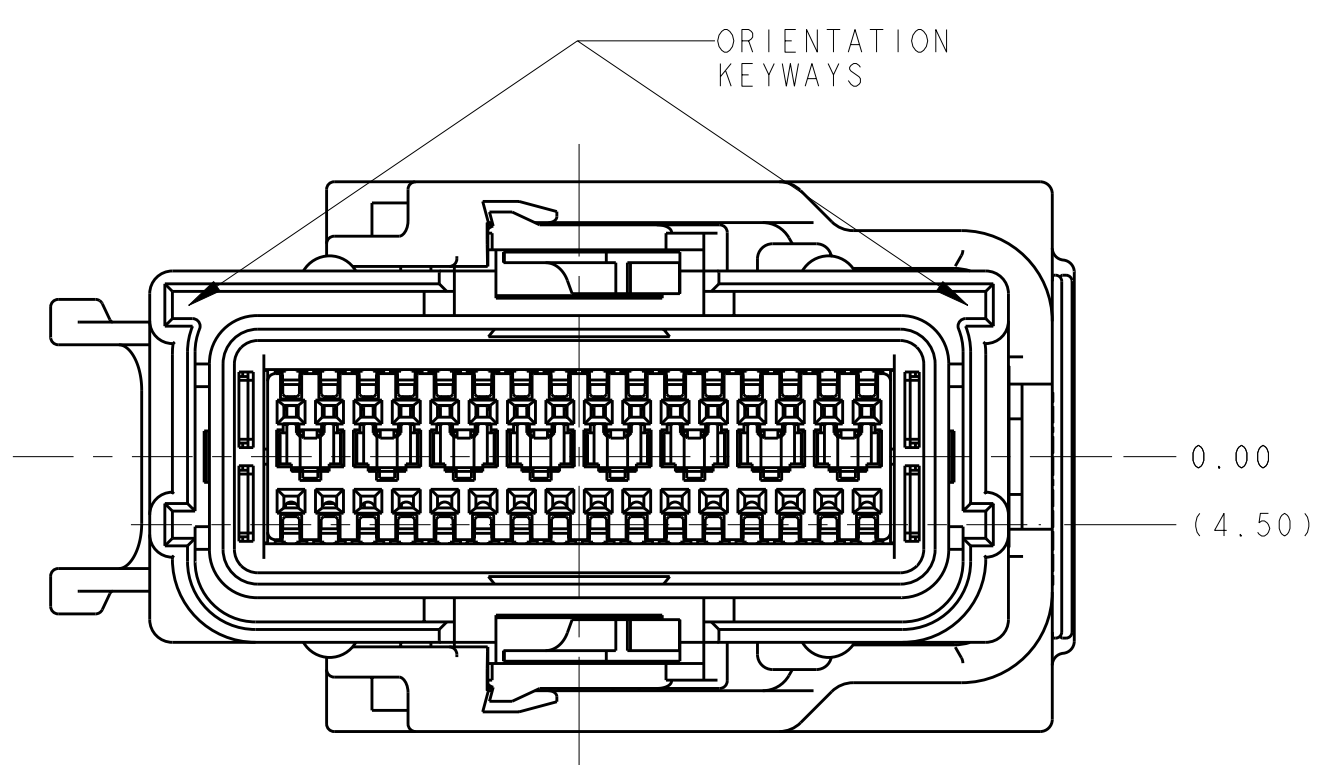
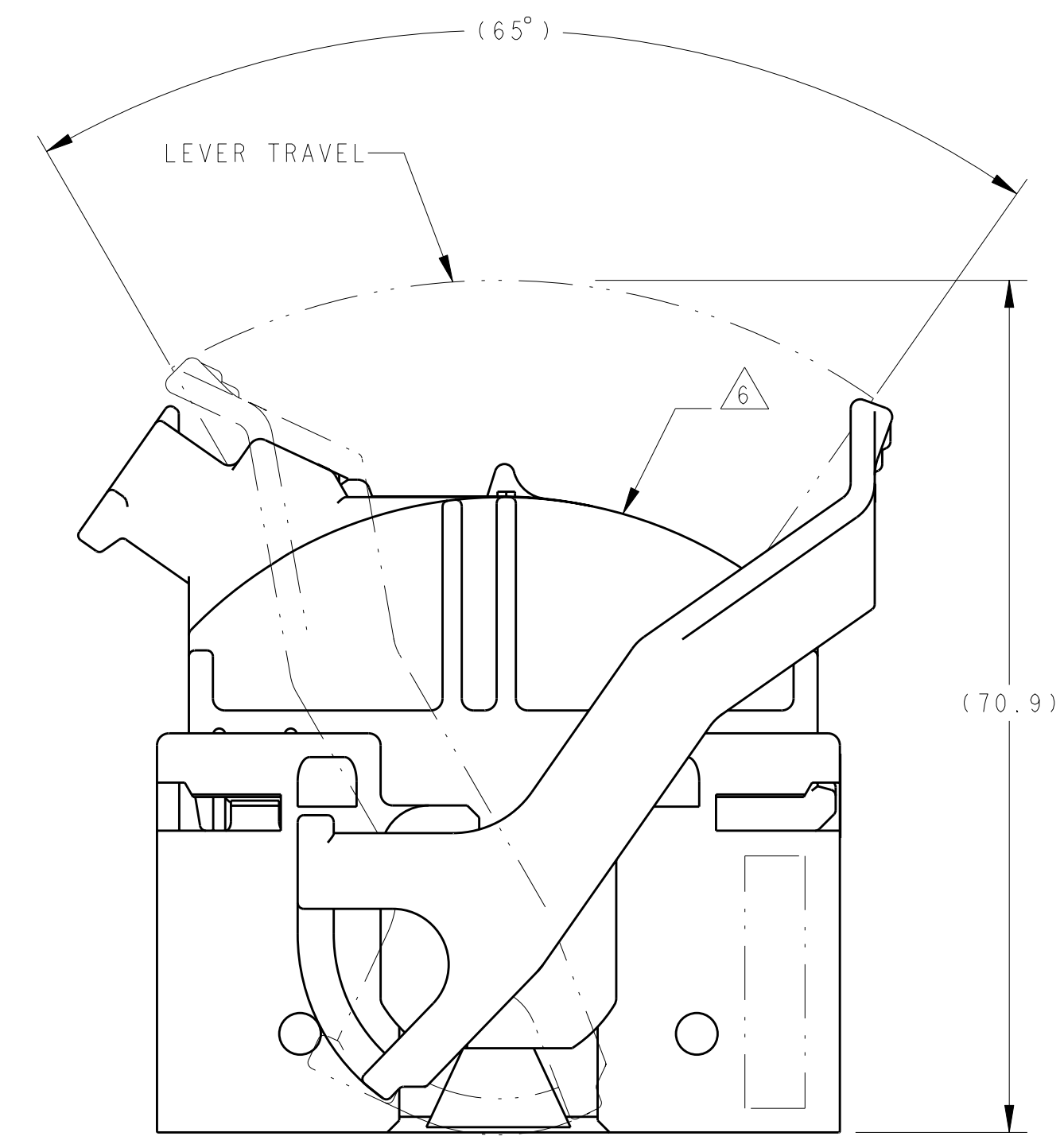


FIGURE 8
SHOWING WIRE DRESS
AND LEVER IN
ALTERNATE ORIENTATION
WITH KEYING CODE A2

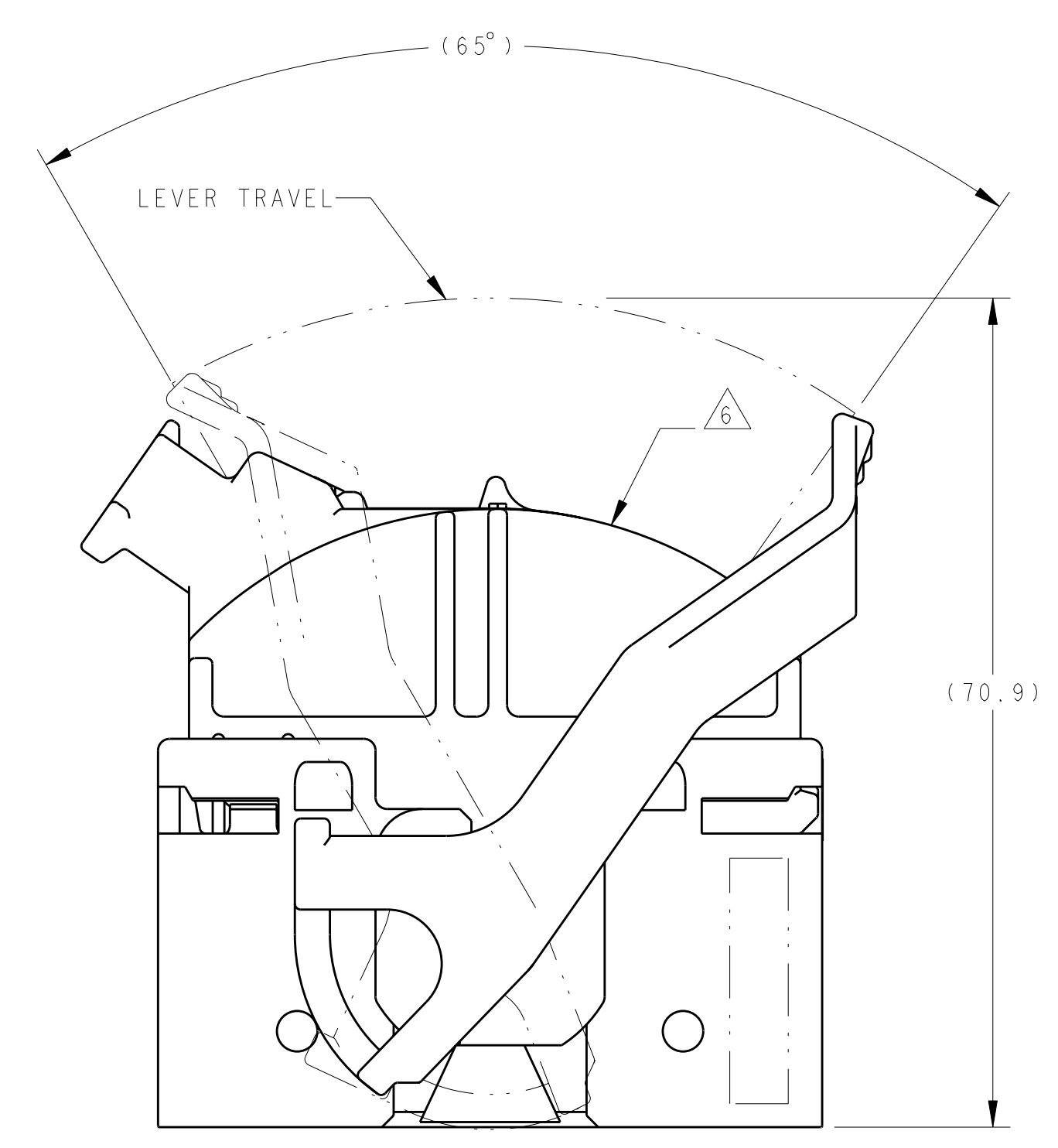


THIS DRAWING IS A CONTROLLED DOCUMENT.		DWN D. J. HARDY 17AUG2004	TE Connectivity PLUG ASSEMBLY, SEALED, 32 POSITION, SHUNTED, 0.64mm												
DIMENSIONS: mm		CHK F. KINSEY 28SEP2004													
TOLERANCES UNLESS OTHERWISE SPECIFIED:		APVD F. KINSEY 28SEP2004	NAME												
<table border="1"> <tr><td>9 PLC</td><td>±</td></tr> <tr><td>8 PLC</td><td>±</td></tr> <tr><td>5 PLC</td><td>±</td></tr> <tr><td>4 PLC</td><td>±</td></tr> <tr><td>ANGLES</td><td>±</td></tr> <tr><td>FINISH</td><td>±</td></tr> </table>		9 PLC	±	8 PLC	±	5 PLC	±	4 PLC	±	ANGLES	±	FINISH	±	PRODUCT SPEC 108-2217	RESTRICTED TO
9 PLC	±														
8 PLC	±														
5 PLC	±														
4 PLC	±														
ANGLES	±														
FINISH	±														
MATERIAL		APPLICATION SPEC 408-10078	SIZE CAGE CODE DRAWING NO												
		WEIGHT	A100779C=1438640												
		CUSTOMER DRAWING	SCALE 2:1 SHEET 4 OF 5												

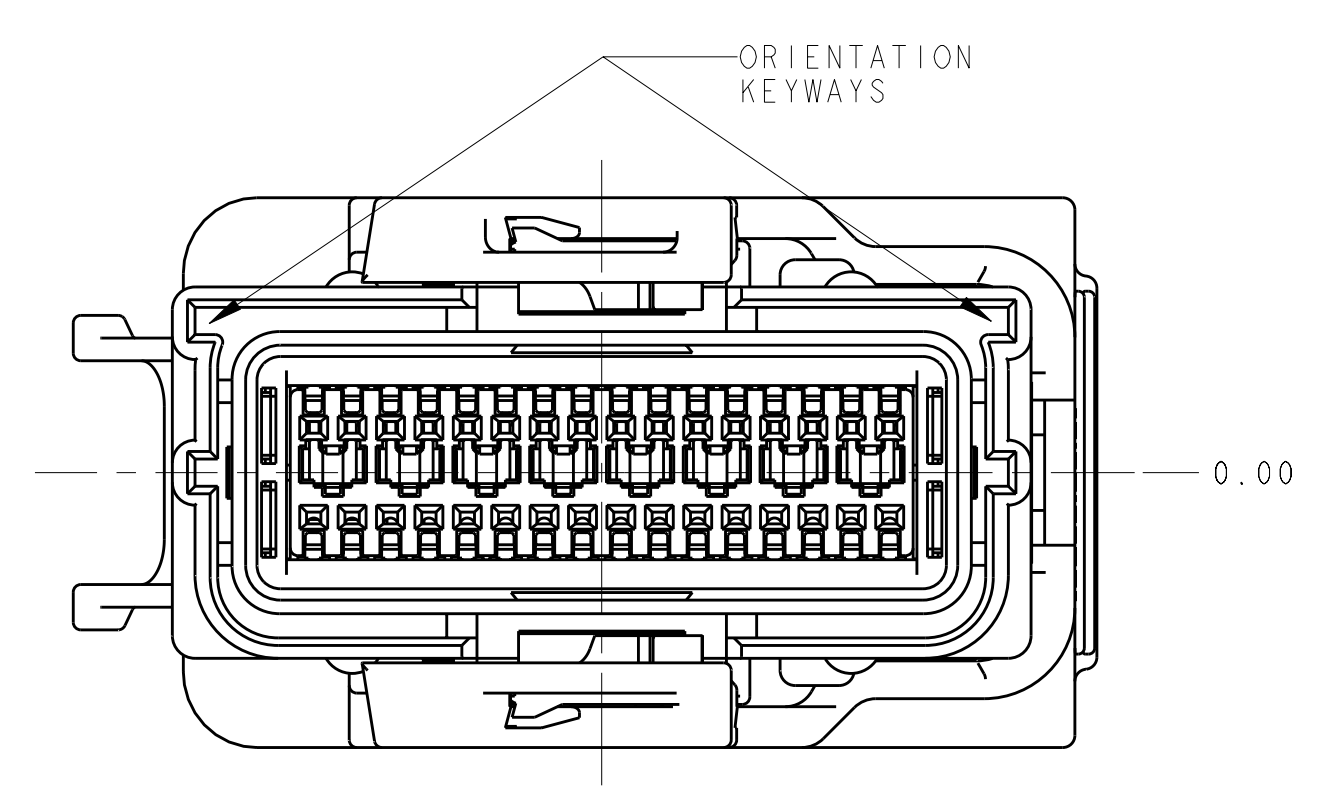
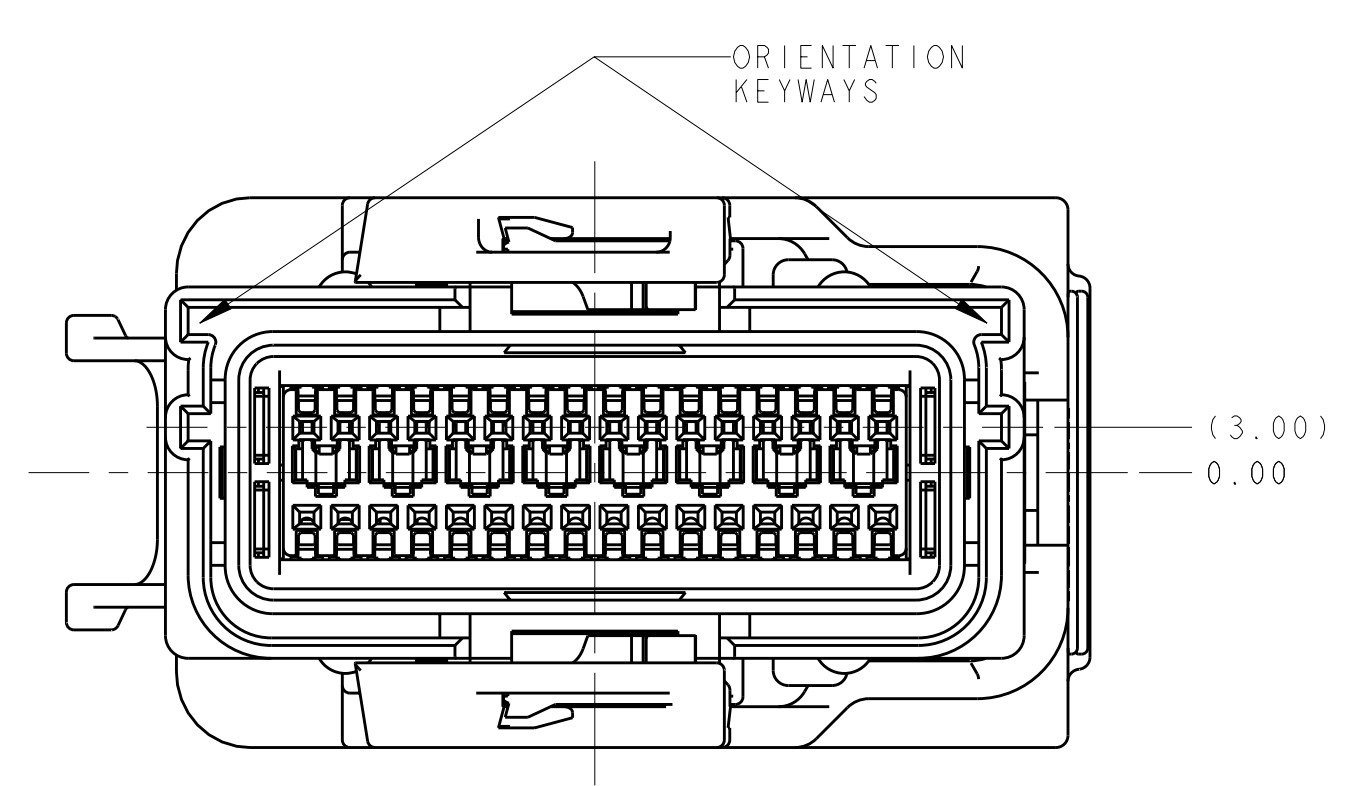
LOC	DIST	REVISIONS					
		P	LTB	DESCRIPTION	DATE	DWN	APVD
IN	00	-	-	SEE SHEET 1	-	-	-



**FIGURE 9
SHOWING WIRE DRESS
AND LEVER IN
ALTERNATE ORIENTATION
WITH KEYING CODE B3**



**FIGURE 10
SHOWING WIRE DRESS
AND LEVER IN
ALTERNATE ORIENTATION
WITH KEYING CODE A3**



THIS DRAWING IS A CONTROLLED DOCUMENT.		DWN D. J. HARDY 17AUG2004	TE Connectivity	
DIMENSIONS: mm		CHK F. KINSEY 28SEP2004	NAME PLUG ASSEMBLY, SEALED, 32 POSITION, SHUNTED, 0.64mm	
TOLERANCES UNLESS OTHERWISE SPECIFIED: 9 PLC ± 8 PLC ± 5 PLC ± 4 PLC ± ANGLES ± FINISH ±		APVD F. KINSEY 28SEP2004	RESTRICTED TO	
MATERIAL		PRODUCT SPEC 108-2217	SIZE CAGE CODE DRAWING NO	
		APPLICATION SPEC 408-10078	A100779C=1438640	
		WEIGHT	SCALE 2:1 SHEET 5 OF 5	
		CUSTOMER DRAWING	REV B16	

X-ON Electronics

Largest Supplier of Electrical and Electronic Components

Click to view similar products for te connectivity manufacturer:

Other Similar products are found below :

[570416-000](#) [CLTEQ-M81CE-SSRELAY-4-20V](#) [4-1633138-8](#) [D38999/24FJ4AN](#) [4-1195131-0](#) [650069-000](#) [SMD100-2](#) [2EDL4CM](#)
[DTS20W19-11PD-3028](#) [DTS20W19-11PD-3028-LC](#) [DTS20W19-32SD-3028-LC](#) [DTS20W19-32SD-3028](#) [NC6-P104-06](#) [TXR64AB90-](#)
[3616AI](#) [DTS26F21-41HE](#) [DTS26F21-41AE](#) [DTS26F21-41PE-LC](#) [DTS26F21-11SE-3028-LC](#) [D38999/24WF32JE](#) [D38999/24WF32SE-LC](#)
[DTS24W19-32HE](#) [D38999/20JB35HA](#) [D38999/24WJ20PA](#) [164-8033-08](#) [D38999/24FF32JE](#) [D38999/24FF32SE-LC](#) [D38999/24WF32JB](#)
[D38999/24WG11HA](#) [D38999/24WG11HN](#) [MS27467T21F11H](#) [DJT16E21-11HA](#) [DTS24F19-32HE](#) [DTS20W19-32SA-3028-LC](#) [DTS24F19-](#)
[11SC-3028-LC](#) [DTS24F19-11SC-3028](#) [DJT14E13-98HB](#) [D38999/20WC8BB](#) [1-330599-5](#) [DTS24F21-41HN-LC](#) [DTS24F21-41HN](#)
[DTS24F21-41AN](#) [DTS24F21-39HN](#) [DTS24F21-41PN-LC](#) [AFD50-10-6SN-1A-LC](#) [DJT10F17-26HC](#) [DTS24W19-32HB](#) [ACT20JE99HA](#)
[DJT10E17-26HC](#) [DJT10E17-26HN](#) [DJT10F17-26HA](#)