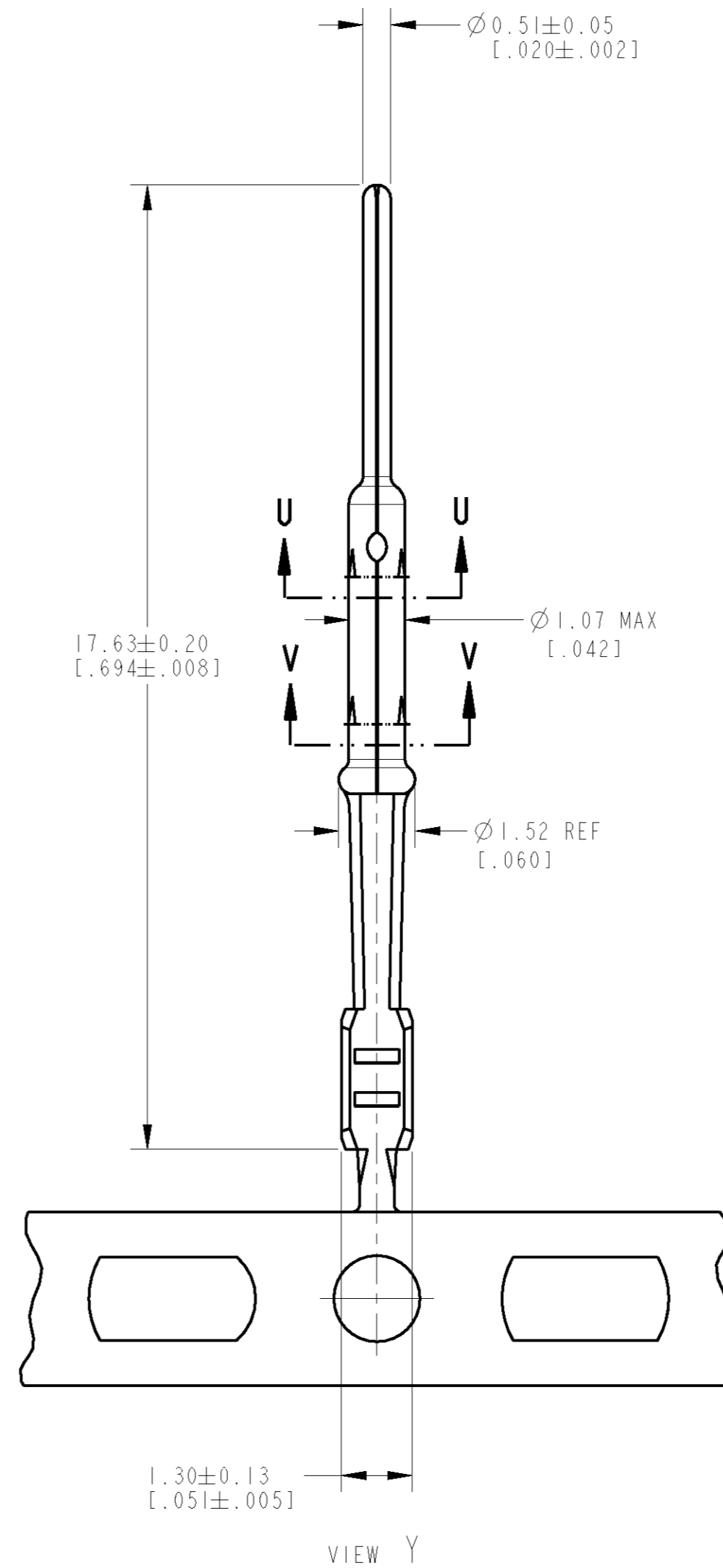
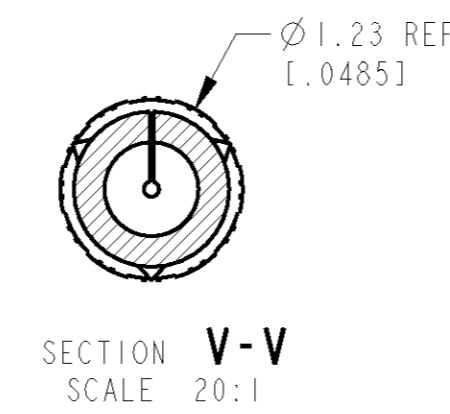
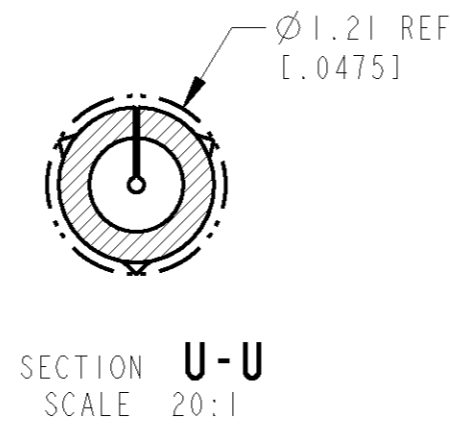
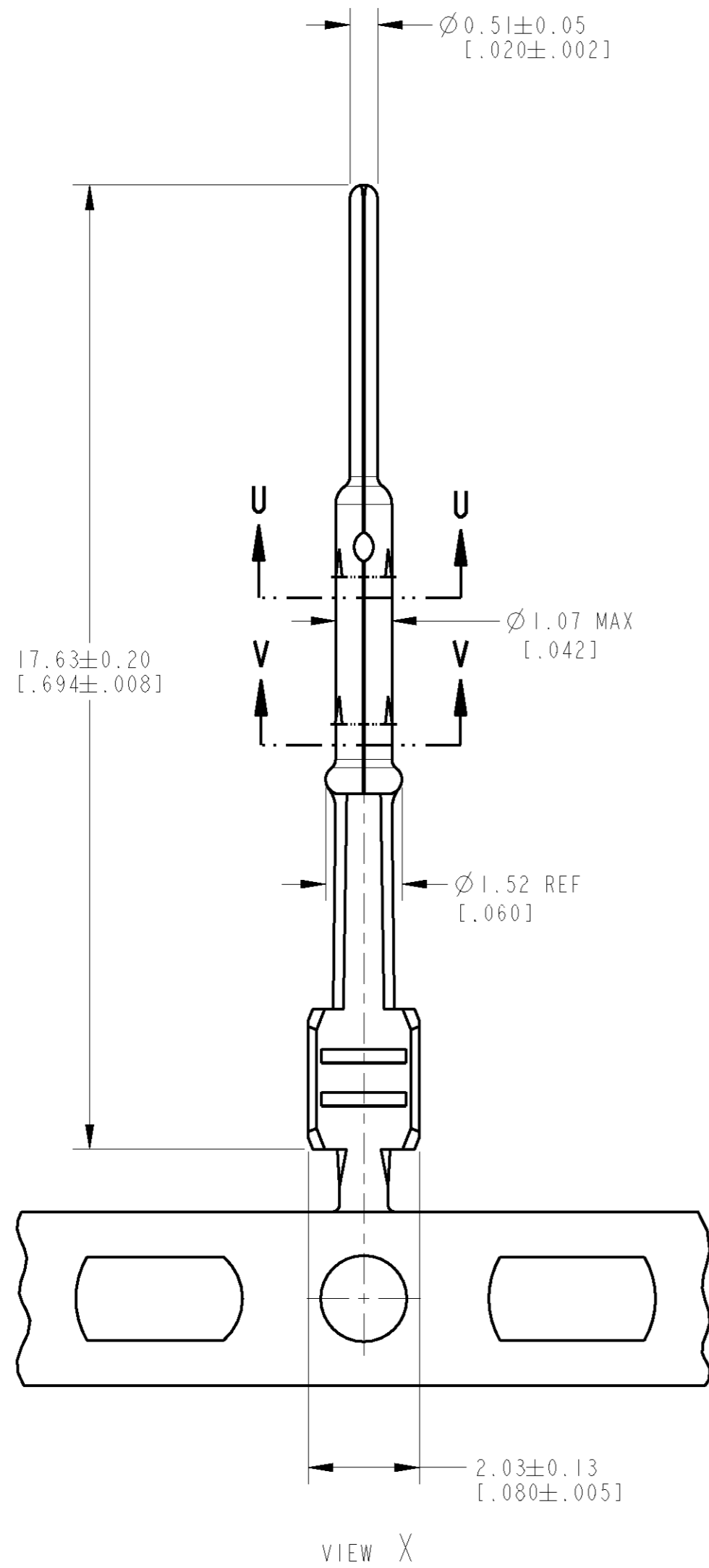


THIS DRAWING IS UNPUBLISHED. RELEASED FOR PUBLICATION 20
 © COPYRIGHT 20 BY TYCO ELECTRONICS CORPORATION. ALL RIGHTS RESERVED.

LOC	DIST	REVISIONS					
		P	LTR	DESCRIPTION	DATE	DWN	APVD
IN	00	Q		RELEASED PER EC 0K01-160-04	02NOV2004	DJH	JMR
		A		REVISED PER ECR-05-001528	27APR2005	AG	LLV
		AI		REVISED PER ECR 06-024278	22FEB2007	DLD	LLV



1.5CS-QEHV (TA), RG-62/U MODIFIED, RG-71/U MODIFIED	Y	1438808-4
RG-59/U, RG-62/U, RG-71/U	X	1438808-2
APPLICABLE CABLE SIZES	VIEW	PART NUMBER

- 1 BRASS.
- 2 3.81 μm [0.000150] MIN TIN OVER 1.27 μm [0.000050] MIN NICKEL OR 3.81 μm [0.000150] MIN COPPER.

THIS DRAWING IS A CONTROLLED DOCUMENT FOR TYCO ELECTRONICS CORPORATION IT IS SUBJECT TO CHANGE AND THE CONTROLLING ENGINEERING ORGANIZATION SHOULD BE CONTACTED FOR THE LATEST REVISION.		DWN D. J. HARDY 17SEP2004	Tyco Electronics Harrisburg, PA 17105-3608	
DIMENSIONS: mm [INCHES]		CHK J. W. HALL 20SEP2004	NAME CENTER CONTACT, JACK, SNAP-LOCK	
TOLERANCES UNLESS OTHERWISE SPECIFIED:		APVD J. W. HALL 20SEP2004	SIZE CAGE CODE DRAWING NO. RESTRICTED TO	
0 PLC ±		PRODUCT SPEC	A2 00779 C-1438808 -	
1 PLC ±		APPLICATION SPEC	SCALE SHEET OF REV	
2 PLC ±		114-13125	10.1 1 1 AI	
3 PLC ±		WEIGHT		
4 PLC ±		CUSTOMER DRAWING		
ANGLES ±				
FINISH				

X-ON Electronics

Largest Supplier of Electrical and Electronic Components

Click to view similar products for [RF Connectors](#) / [Coaxial Connectors](#) category:

Click to view products by [TE Connectivity](#) manufacturer:

Other Similar products are found below :

[8915-1511-000](#) [89674-0827](#) [6001-7071-019](#) [6002-7051-003](#) [6002-7551-202](#) [6059674-1](#) [619550-1](#) [630059-000](#) [M39030/3-01N](#) [6500-7071-046](#) [6769](#) [CX050L2AQ](#) [7002-1541-010](#) [7002-1542-011](#) [7004-1512-000](#) [7009-1511-004](#) [7010-1511-000](#) [7029-1511-060](#) [7101-1541-010](#) [7101-1571-002](#) [7145-1521-002](#) [7203-1571-003](#) [7209-1511-011](#) [7210-1511-015](#) [7210-1511-019](#) [73137-5015](#) [73216-2241](#) [73404-2300](#) [7405-1521-005](#) [7405-1521-802](#) [8527](#) [8547](#) [FS11V](#) [877931](#) [8808-1511-001](#) [9049-9513-000](#) [9074-9513-000](#) [9101-9573-002](#) [910A205F](#) [9130-9573-002](#) [PL11SC-026](#) [PL375-33](#) [PL40-5](#) [PL74C-221](#) [PL75MC-217](#) [PL803-7](#) [1200690078](#) [1-201144-1](#) [R107003010W](#) [R110A172100](#)