

CUSTOMER DRAWING

SCALE 1:1 SHEET 2 of 5 REV C7

WEIGHT 0.000000

APVD J. CHENG 09JUN2003

NAME

TE Connectivity

2.5 MM PITCH HPI VERTICAL POST HEADERS

RESTRICTED TO

APVD J. CHENG 09JUN2003

CHK O. HU 09JUN2003

DWN O. HU 09JUN2003

THIS DRAWING IS A CONTROLLED DOCUMENT.

TOLERANCES UNLESS OTHERWISE SPECIFIED:

mm

DIMENSIONS:

0 PLC ±

1 PLC ±

2 PLC ±

3 PLC ±

4 PLC ±

ANGLES ±

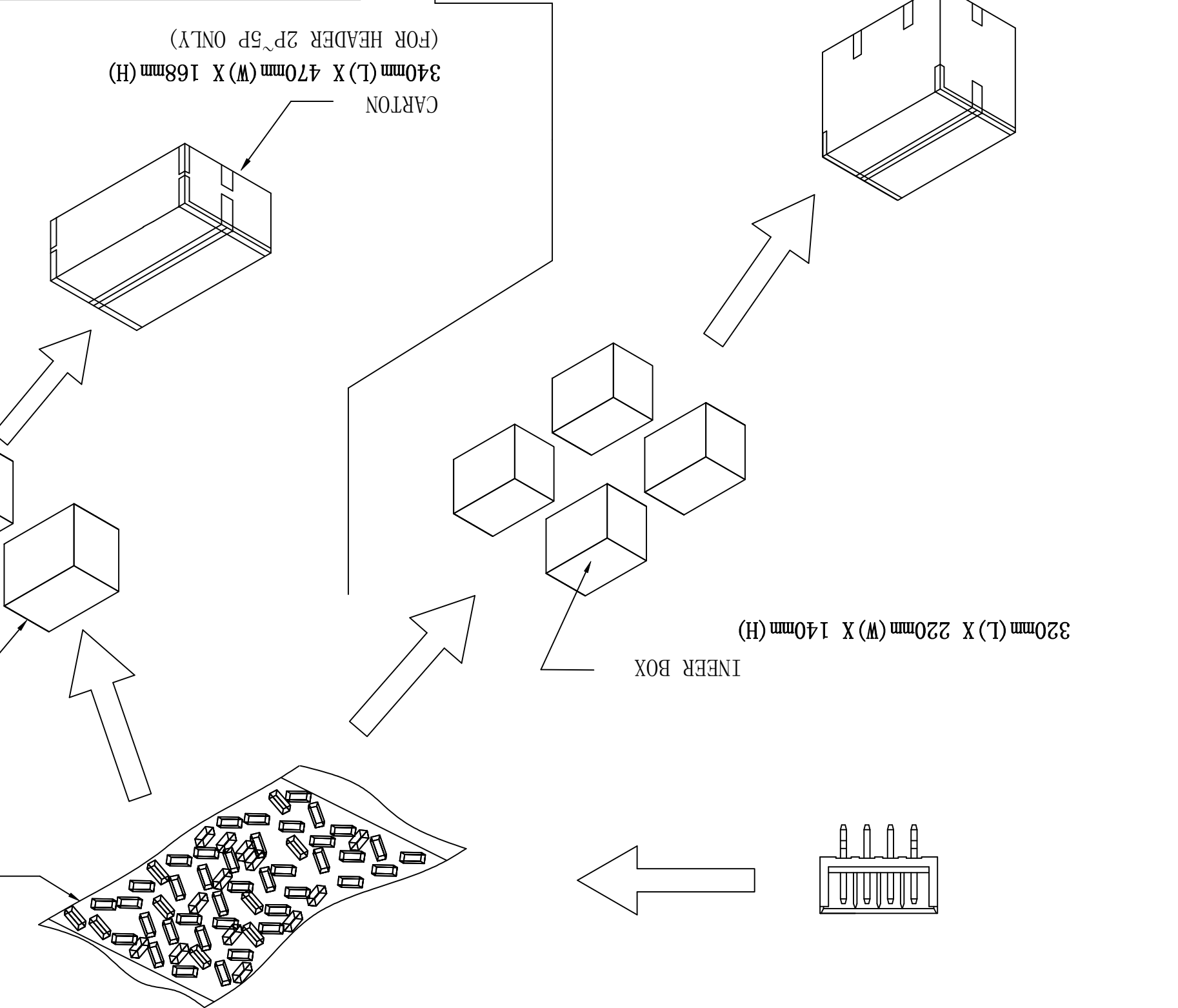
FINISH

MATERIAL

APQ	PPQ	CIRCUITS	HOUSING COLOR	PART NUMBER
36,000	1,000	2P	NATURAL	440052-2
30,000	750	3P	NATURAL	440052-3
24,000	600	4P	NATURAL	440052-4
20,000	500	5P	NATURAL	440052-5
35,000	350	6P	NATURAL	440052-6
28,000	350	7P	NATURAL	440052-7
25,200	350	8P	NATURAL	440052-8
21,600	300	9P	NATURAL	440052-9
20,000	250	10P	NATURAL	1-440052-0
16,000	250	11P	NATURAL	1-440052-1
16,000	250	12P	NATURAL	1-440052-2
14,400	200	13P	NATURAL	1-440052-3
12,000	200	14P	NATURAL	1-440052-4
12,960	180	15P	NATURAL	1-440052-5
20,000	500	3P	NATURAL	4-440052-5
30,000	750	2P	NATURAL	5-440052-1
20,000	500	4P	NATURAL	5-440052-2
			OBSOLETE	

P	LTR	DESCRIPTION	DATE	DWN	APVD
-	-	SEE SHEET 1	-	-	-

REVISIONS



THIS DRAWING IS UNPUBLISHED. RELEASED FOR PUBLICATION. ALL RIGHTS RESERVED.

APVD J. CHENG 09JUN2003

CHK O. HU 09JUN2003

DWN O. HU 09JUN2003

TE Connectivity

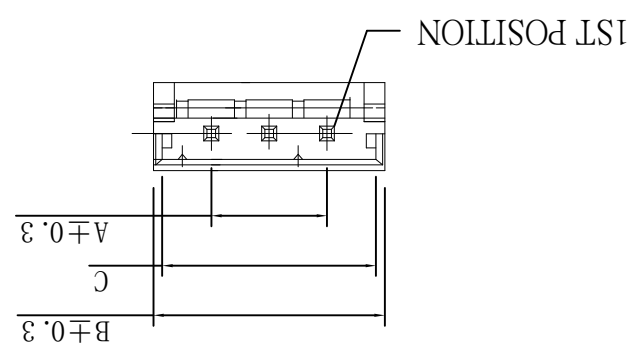
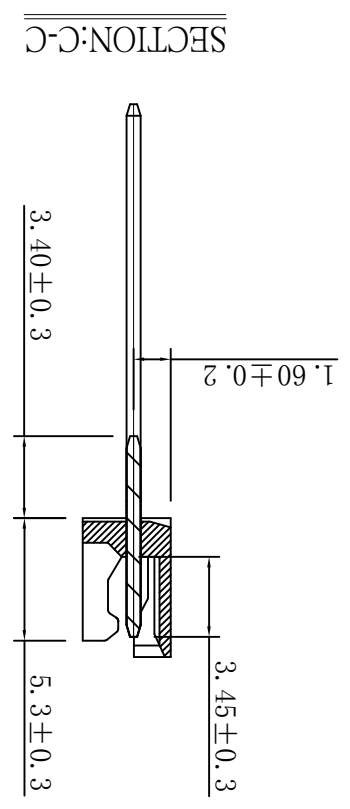
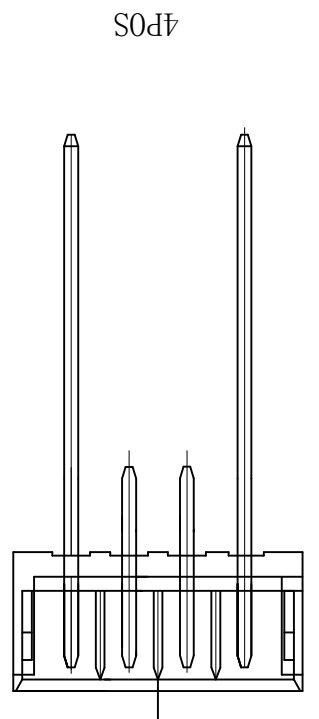
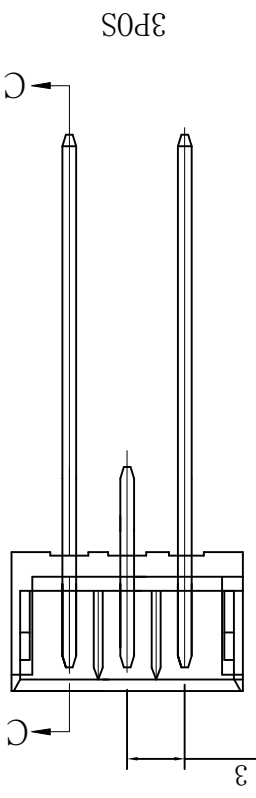
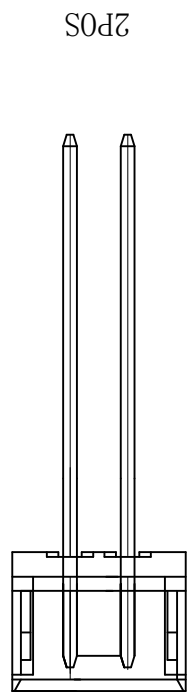
- NOTE:
1. MATERIAL : THERMOPLASTIC UL94V-0,
HOUSING : BRASS.
COLOR : NATURAL.
 2. FINISH : CONTACT : 80µ" MIN. TIN PLATED ON CONTACT AREA.
 3. WHEN EXTRACTING RECEPTACLE HOUSING FROM HEADER, NOT WIRE BUT RECEPTACLE HOUSING SHOULD BE CRIPED IN OEDER TO AVOID THE WIRE BREAKAGE.

MATERIAL		-	
DIMENSIONS:		mm	
FINISH		-	
0 PLC	± 0.5	4 PLC	± -
1 PLC	± 0.3	3 PLC	± 0.15
2 PLC	± 0.2	2 PLC	± -
3 PLC	± 0.15	1 PLC	± -
4 PLC	± -	ANGLES	± -

WEIGHT		0.000000	
APPLICATION SPEC		108-57099	
PRODUCT SPEC		-	
APVD		J. CHENG	
NAME		09JUN2003	
CHK		A. WU	
DWN		O. HU	
DATE		09JUN2003	

CUSTOMER DRAWING			
SCALE	1:1	SHEET	3 of 5
REV	C7	RESTRICTED TO	-
DRAWING NO		C-440052	
CAGE CODE		00779	
SIZE		A3	
TE Connectivity			

THIS DRAWING IS A CONTROLLED DOCUMENT.



POS	A	B	C	P/N
2P	2.50	7.5	6.7	8-440052-2
3P	5.00	10.0	9.2	8-440052-3
4P	7.50	12.5	11.7	8-440052-4

P	LTR	DESCRIPTION	DATE	DWN	APVD
-	-	SEE SHEET 1	-	-	-

A B C D

A B C D

CUSTOMER DRAWING		SCALE	SHEET	REV
0.000000		1:1	4 of 5	C7
WEIGHT		SIZE	CAGE CODE	DRAWING NO
-		A3	00779	-440052
APPLICATION SPEC		PRODUCT SPEC	2.5 MM PITCH HPI VERTICAL POST HEADERS	
108-57099		J. CHENG		
APVD		CHK	NAME	
09JUN2003		A. WU	TE Connectivity	
DWN		CHK	O. HU	
09JUN2003		A. WU	09JUN2003	
09JUN2003		O. HU	09JUN2003	

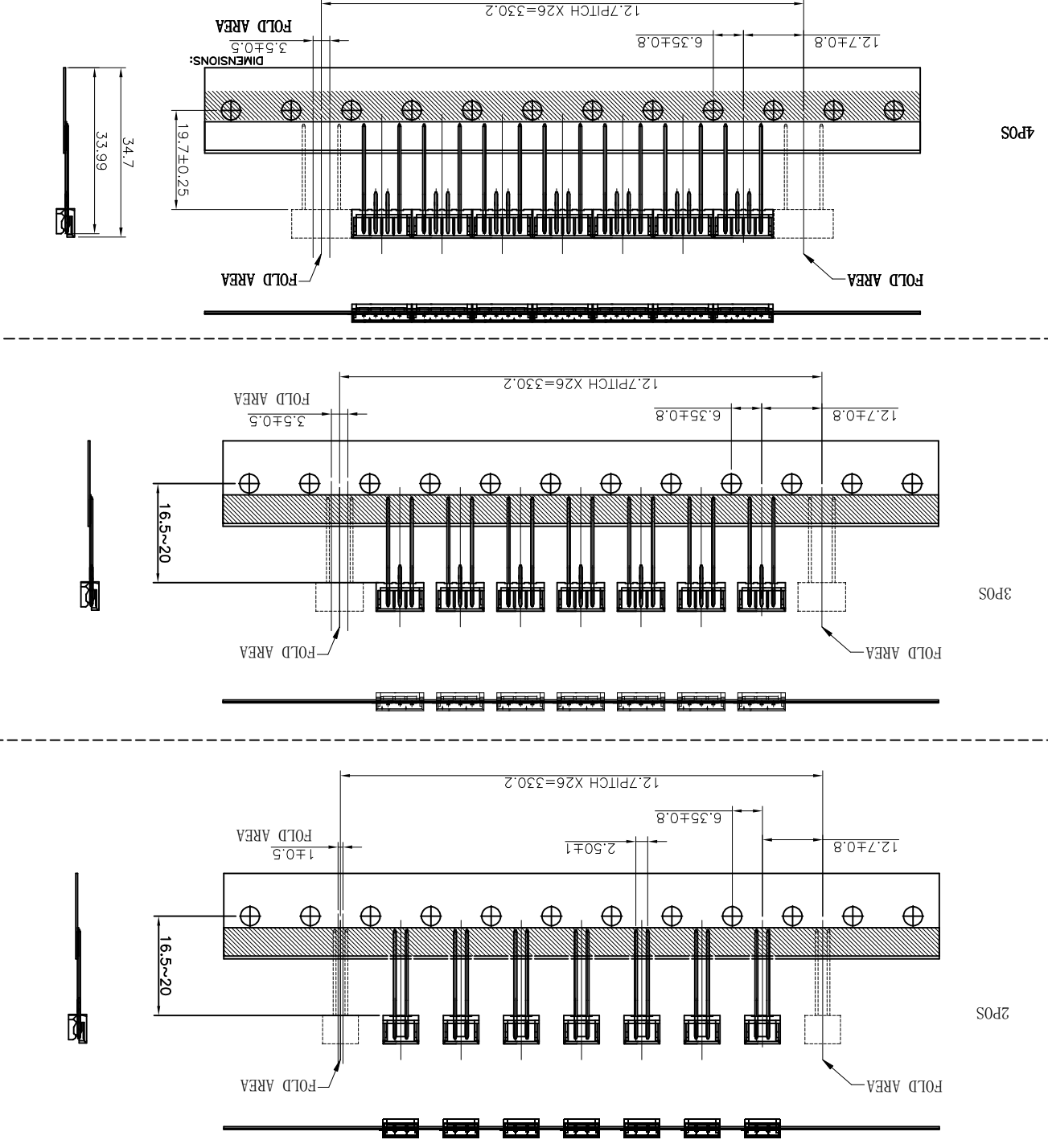
THIS DRAWING IS A CONTROLLED DOCUMENT.

TOLERANCES UNLESS OTHERWISE SPECIFIED:

0 PLC	±
1 PLC	±
2 PLC	±
3 PLC	±
4 PLC	±
ANGLES	±
FINISH	±

MATERIAL: -

DIMENSIONS: mm



POS	P/N	P/N
2P	8-440052-2	4-440052-2
3P	8-440052-3	4-440052-3
4P	8-440052-4	4-440052-4

- NOTES:
- BRAID: 12.7PITCH*26=330.2
 - CATON: 342*310*42mm
 - QUANTITY: 2POS--1500pcs/box
3POS--1500pcs/box
4POS--720pcs/box

P	LTR	DESCRIPTION	DATE	DWN	APVD
-	-	SEE SHEET 1	-	-	-

1

2

3

4

A
B
C
D

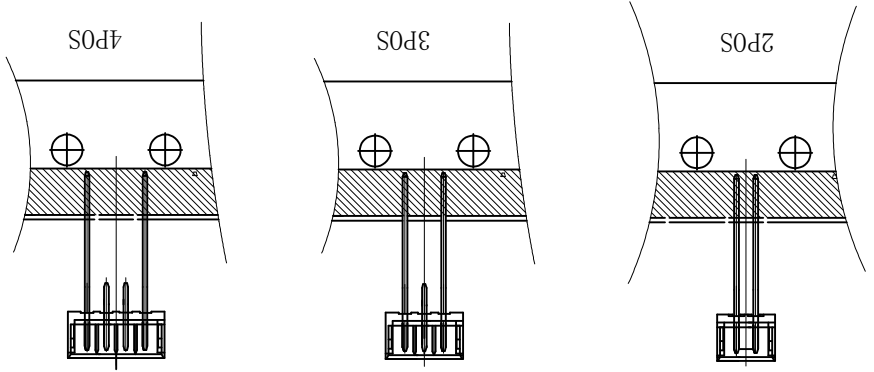
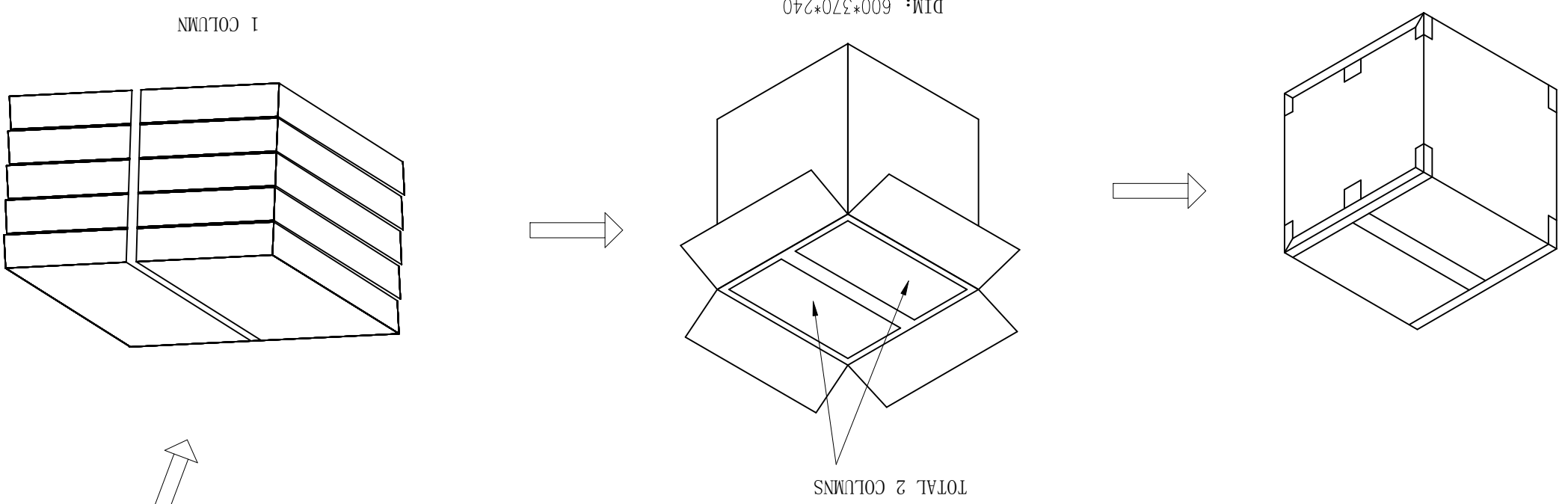
A
B
C
D

POS	P/N	P/N
2P	8-440052-2	4-440052-2
3P	8-440052-3	4-440052-3
4P	8-440052-4	4-440052-4

MATERIAL		FINISH	
-		-	
DIMENSIONS:		TOLERANCES UNLESS OTHERWISE SPECIFIED:	
mm		±	
0 PLC		±	
1 PLC		±	
2 PLC		±	
3 PLC		±	
4 PLC		±	
ANGLES		±	
WEIGHT		0.000000	
APPLICATION SPEC		108-57099	
PRODUCT SPEC		J. CHENG	
APVD		09JUN2003	
NAME		J. CHENG	
SIZE		A3	
CAGE CODE		00779	
DRAWING NO		440052	
RESTRICTED TO		-	

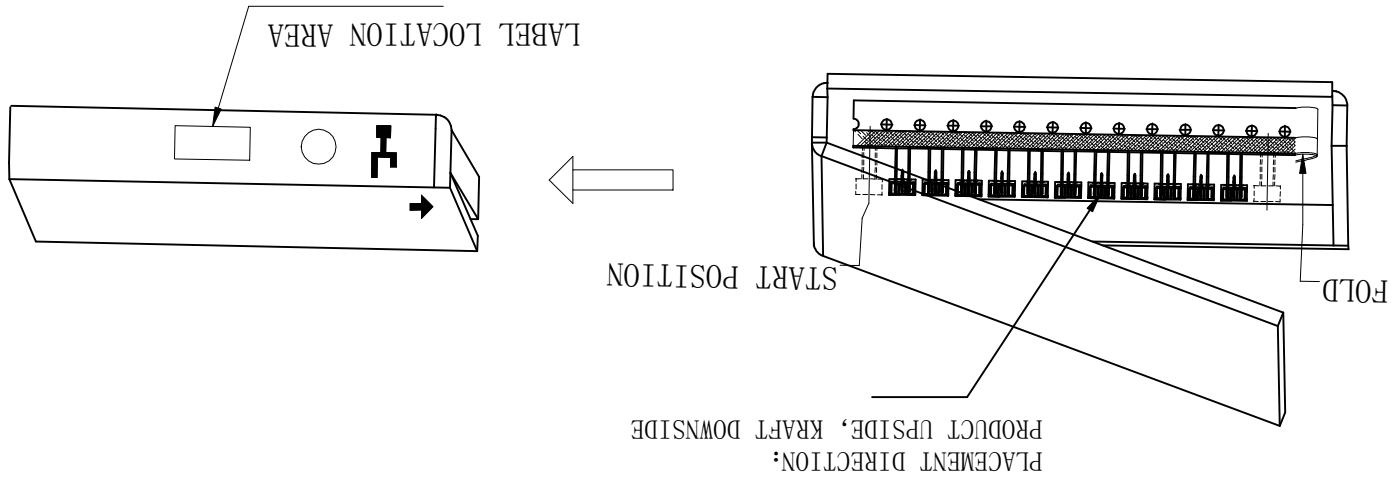
CUSTOMER DRAWING			
SCALE	1:1	SHEET	5 of 5
REV	C7	-	
THIS DRAWING IS A CONTROLLED DOCUMENT.			
DWN	09JUN2003	O. HU	09JUN2003
CHK	09JUN2003	A. WU	09JUN2003
TE Connectivity			

QUANTITY:
 2POS&3POS: 1500*10=1500PCS
 4POS: 720*10=7200PCS



1, SPONGE: 12.7PITCH*26=330.2

1, QUANTITY: 2POS--1500pcs/BOX
 3POS--1500pcs/BOX
 4POS--720pcs/BOX



REVISIONS			
P	LTR	DESCRIPTION	DATE
-	-	SEE SHEET 1	-
APVD	DWN	DATE	-

THIS DRAWING IS UNPUBLISHED.
 RELEASED FOR PUBLICATION
 ALL RIGHTS RESERVED.
 Copyright - - By -

X-ON Electronics

Largest Supplier of Electrical and Electronic Components

Click to view similar products for [Headers & Wire Housings](#) category:

Click to view products by [TE Connectivity](#) manufacturer:

Other Similar products are found below :

[95000-104TRLF](#) [10135584-644402LF](#) [DF62W-EP2022PCA](#) [95000-106TRLF](#) [DF62W-2022SCA](#) [DF62W-EP2022PC](#) [2203348](#) [DF62W-2022SC](#) [1084018](#) [1029039](#) [1084017](#) [802-10-012-10-002000](#) [1112640](#) [1112639](#) [891-007-9SS-BST1T](#) [000-34000](#) [0008550134](#) [0009482033](#) [0009507031](#) [57102-F02-18ULF](#) [57102-S06-03LF](#) [57202-S52-04LF](#) [PCN6-15S-2.5E](#) [0039019024](#) [58102-G61-06LF](#) [582553-1](#) [0009485154](#) [0009508121](#) [0022285053](#) [0050291907](#) [018731A](#) [LY20-4P-DT1-P1E-BR](#) [02.125.8002.8](#) [60101931](#) [60598-1 \(Cut Strip\)](#) [M1625-3R/100](#) [61062-3](#) [61082-181009](#) [CSU011177004](#) [636-1427](#) [638009-1](#) [641938-9](#) [641991-4](#) [644168-1](#) [644827-2](#) [647662-1](#) [65039-019ELF](#) [65692-001LF](#) [65781-018](#) [65781-047](#)