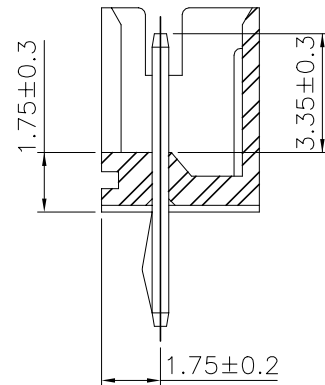
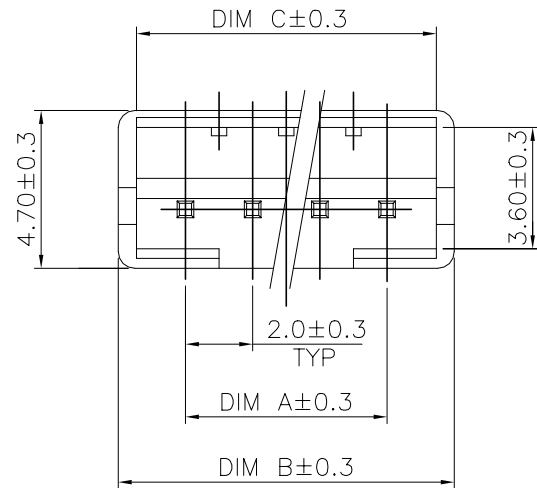
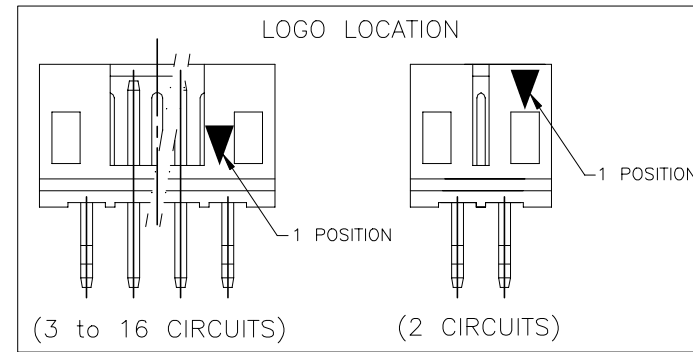
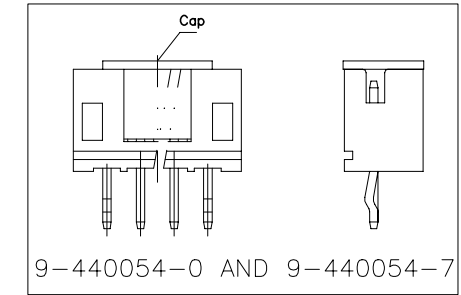


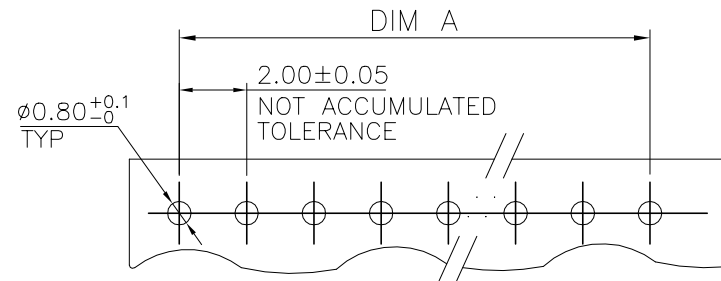
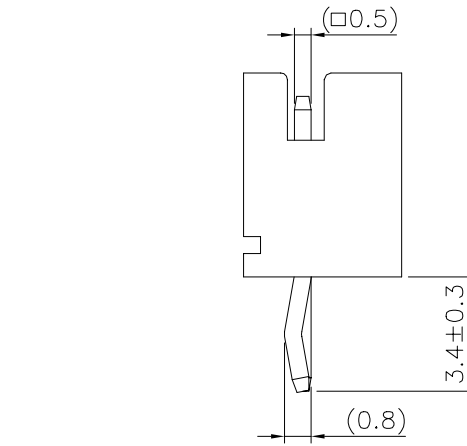
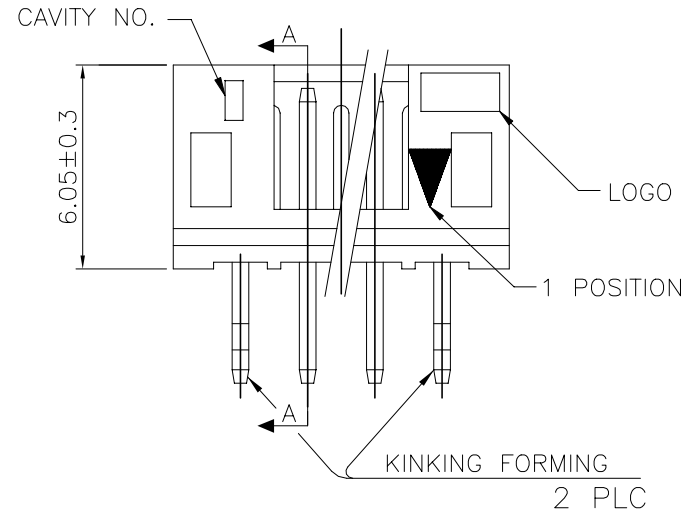
LOC DW	DIST	REVISIONS		
P	LTR	DESCRIPTION	DATE	DWN APVD
	F8	ECR-20-004633	06APR20	T.Q W.H



- NOTES:
 1. MATERIAL:
 HOUSING: NYLON 66, UL94V-0, COLOR: SEE TABLE.
 CONTACT: BRASS, THICKNESS=0.50mm.
 2. FINISH:
 2.03um[80u"] MIN. BRIGHT-TIN PLATING ON CONTACT.
 1.27um[50u"] MIN. NICKEL ENTIRE CONTACT UNDERPLATED.
 3. WAVE SOLDER SPEC REFER TO 108-57100.
 4. RAISED TYPE PN: 9-440054-2.



OBsolete
 OBsolete



RECOMMENDED PCB LAYOUT
 (PCB THK=1.0~1.6)

OBsolete	RED	10.90	12.00	8.00	5P	8-440054-9
		8.90	10.00	6.00	4P	8-440054-8
6.90		8.00	4.00	3P	8-440054-7	
4.90		6.00	2.00	2P	8-440054-6	
BLACK	10.90	12.00	8.00	5P	6-440054-9	
	8.90	10.00	6.00	4P	6-440054-8	
	6.90	8.00	4.00	3P	6-440054-7	
	4.90	6.00	2.00	2P	6-440054-6	
YELLOW	10.90	12.00	8.00	5P	4-440054-9	
	8.90	10.00	6.00	4P	4-440054-8	
	6.90	8.00	4.00	3P	4-440054-7	
	4.90	6.00	2.00	2P	4-440054-6	
BLUE	10.90	12.00	8.00	5P	2-440054-9	
	8.90	10.00	6.00	4P	2-440054-8	
	6.90	8.00	4.00	3P	2-440054-7	
	4.90	6.00	2.00	2P	2-440054-6	
NATURAL WHITE	32.90	34.00	30.00	16P	5-440054-6	
	30.90	32.00	28.00	15P	5-440054-5	
	28.90	30.00	26.00	14P	5-440054-4	
	26.90	28.00	24.00	13P	5-440054-3	
	24.90	26.00	22.00	12P	5-440054-2	
	22.90	24.00	20.00	11P	5-440054-1	
	20.90	22.00	18.00	10P	5-440054-0	
	18.90	20.00	16.00	9P	3-440054-9	
	16.90	18.00	14.00	8P	3-440054-8	
	14.90	16.00	12.00	7P	3-440054-7	
	12.90	14.00	10.00	6P	3-440054-6	
	10.90	12.00	8.00	5P	3-440054-5	
8.90	10.00	6.00	4P	3-440054-4		
6.90	8.00	4.00	3P	3-440054-3		
4.90	6.00	2.00	2P	3-440054-2		

POLY BAG	NATURAL WHITE	14.90	16.00	12.00	7P	9-440054-7	
	BROWN	10.90	12.00	8.00	5P	4-440054-1	
		22.90	24.00	20.00	11P	9-440054-3	
		10.90	12.00	8.00	5P	9-440054-6	
	GREEN	8.90	10.00	6.00	4P	3-440054-1	
		6.90	8.00	4.00	3P	440054-1	
	BLUE	18.90	20.00	16.00	9P	2-440054-1	
		16.90	18.00	14.00	8P	2-440054-0	
		16.90	18.00	14.00	8P	8-440054-0	
		10.90	12.00	8.00	5P	8-440054-5	
	RED	8.90	10.00	6.00	4P	8-440054-4	
		6.90	8.00	4.00	3P	8-440054-3	
	4.90	6.00	2.00	2P	8-440054-2		
POLY BAG	BLACK	10.90	12.00	8.00	5P	6-440054-5	
		8.90	10.00	6.00	4P	6-440054-4	
		6.90	8.00	4.00	3P	6-440054-3	
		4.90	6.00	2.00	2P	6-440054-2	
		4.90	6.00	2.00	2P	6-440054-2	
		24.90	26.00	22.00	12P	7-440054-6	
		22.90	24.00	20.00	11P	7-440054-5	
		20.90	22.00	18.00	10P	7-440054-4	
		18.90	20.00	16.00	9P	7-440054-3	
		16.90	18.00	14.00	8P	7-440054-2	
		14.90	16.00	12.00	7P	7-440054-1	
		12.90	14.00	10.00	6P	7-440054-0	
POLY BAG	YELLOW	10.90	12.00	8.00	5P	4-440054-5	
		8.90	10.00	6.00	4P	4-440054-4	
		6.90	8.00	4.00	3P	4-440054-3	
		4.90	6.00	2.00	2P	4-440054-2	
		4.90	6.00	2.00	2P	4-440054-2	
	BLUE	10.90	12.00	8.00	5P	2-440054-5	
		8.90	10.00	6.00	4P	2-440054-4	
		6.90	8.00	4.00	3P	2-440054-3	
		4.90	6.00	2.00	2P	2-440054-2	
	POLY BAG	NATURAL WHITE	20.90	22.00	18.00	10P	9-440054-0
			32.90	34.00	30.00	16P	1-440054-6
			30.90	32.00	28.00	15P	1-440054-5
		28.90	30.00	26.00	14P	1-440054-4	
		26.90	28.00	24.00	13P	1-440054-3	
		24.90	26.00	22.00	12P	1-440054-2	
		22.90	24.00	20.00	11P	1-440054-1	
		20.90	22.00	18.00	10P	1-440054-0	
		18.90	20.00	16.00	9P	440054-9	
		16.90	18.00	14.00	8P	440054-8	
		14.90	16.00	12.00	7P	440054-7	
		12.90	14.00	10.00	6P	440054-6	
	10.90	12.00	8.00	5P	440054-5		
	8.90	10.00	6.00	4P	440054-4		
	6.90	8.00	4.00	3P	440054-3		
	4.90	6.00	2.00	2P	440054-2		

THIS DRAWING IS A CONTROLLED DOCUMENT.

DWN O. HU 16JUL2004	TE Connectivity NAME 2.0 MM PITCH HPI VERTICAL POST HEADERS					
CHK S. HOU 16JUL2004						
APVD W.J. KE 16JUL2004						
PRODUCT SPEC 108-57100						
DIMENSIONS: MM	TOLERANCES UNLESS OTHERWISE SPECIFIED:	APPLICATION SPEC	SIZE	CAGE CODE	DRAWING NO	RESTRICTED TO
0 PLC ± -	1 PLC ± 0.3	2 PLC ± 0.2	3 PLC ± 0.15	4 PLC ± -	ANGLES ± 3'	
MATERIAL SEE NOTE	FINISH SEE NOTE	WEIGHT - GRAMS	A3	00779	C=440054	
CUSTOMER DRAWING			SCALE	SHEET	1 OF 9	REV F8

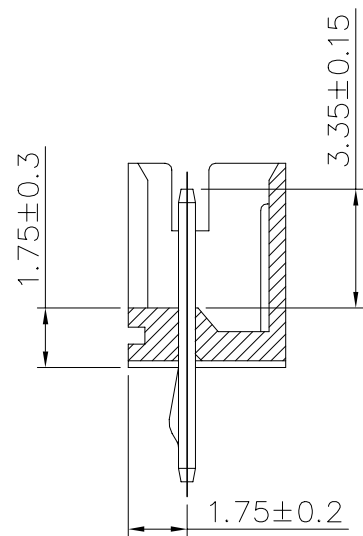
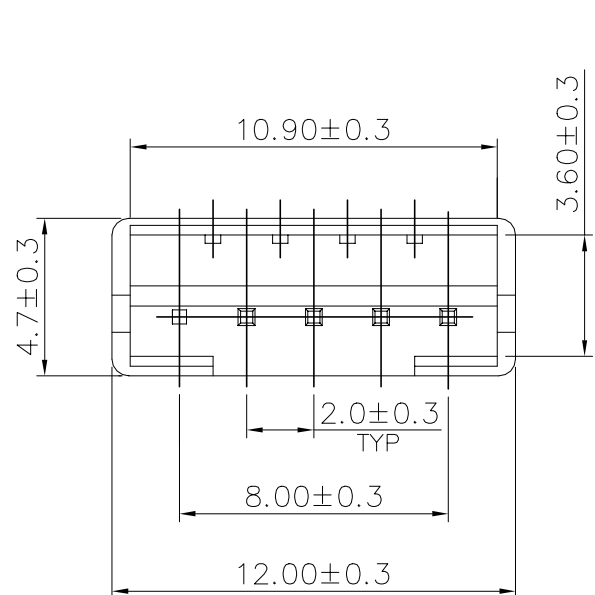
THIS DRAWING IS UNPUBLISHED. RELEASED FOR PUBLICATION AUG ,2006.

© COPYRIGHT 2009 BY TYCO ELECTRONICS CORPORATION. ALL RIGHTS RESERVED.

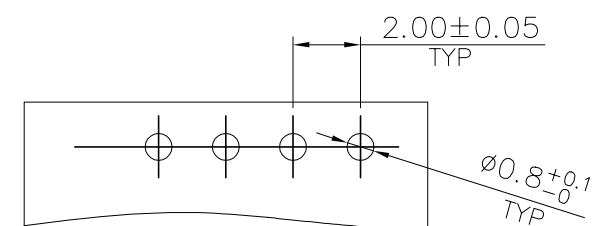
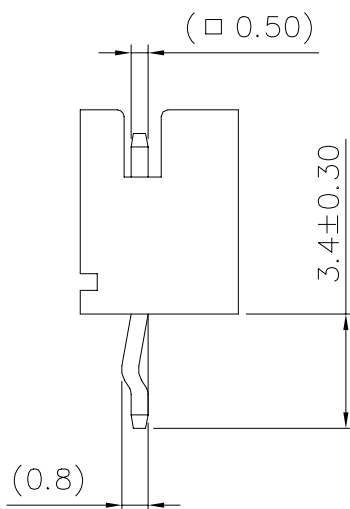
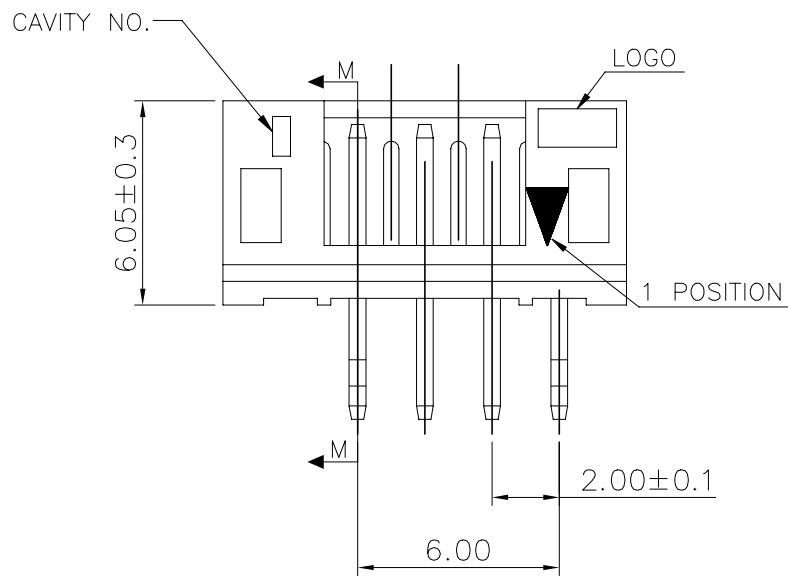
LOC DW DIST

REVISIONS

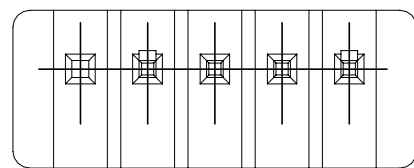
P	LTR	DESCRIPTION	DATE	DWN	APVD
		SEE SHEET 1.			



SECTION M-M



RECOMMENDER PCB LAYOUT (PCB THK=1.0~1.6mm)



POLY BAG	NATURAL WHITE	PIN 5	4P	9-440054-5
PACKAGE	COLOR	PIN NUMBER LACKED	POS.	PART NUMBER

THIS DRAWING IS A CONTROLLED DOCUMENT.		DWN	STE TE Connectivity		
DIMENSIONS: MM		CHK			
TOLERANCES UNLESS OTHERWISE SPECIFIED:		APVD	NAME		
0 PLC ± -		PRODUCT SPEC	2.0 MM PITCH HPI VERTICAL POST HEADERS		
1 PLC ± 0.3		APPLICATION SPEC	SIZE	CAGE CODE	DRAWING NO
2 PLC ± 0.2		WEIGHT	A3	00779	C=440054
3 PLC ± 0.15		CUSTOMER DRAWING	RESTRICTED TO		REV F8
4 PLC ± -		SCALE	SHEET 2 OF 9		
ANGLES ± 3'					
MATERIAL	FINISH				
SEE NOTE (PAGE 1.)	SEE NOTE (PAGE 1.)				

4

3

2

1

THIS DRAWING IS UNPUBLISHED.

RELEASED FOR PUBLICATION

AUG ,2006.

© COPYRIGHT 2009 BY TYCO ELECTRONICS CORPORATION. ALL RIGHTS RESERVED.

LOC

DIST

REVISIONS

DW

P

LTR

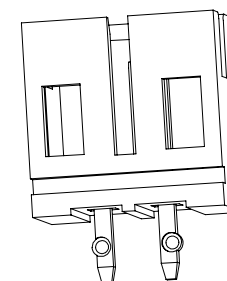
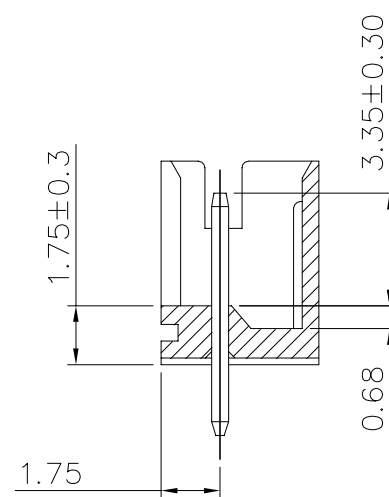
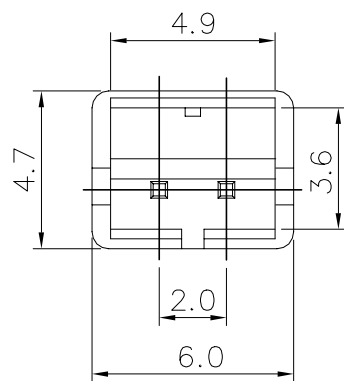
DESCRIPTION

DATE

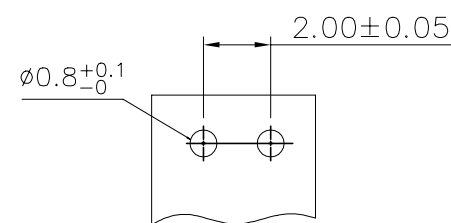
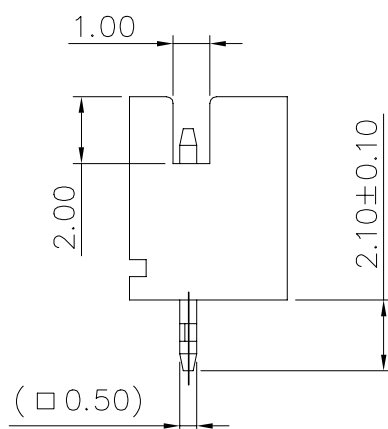
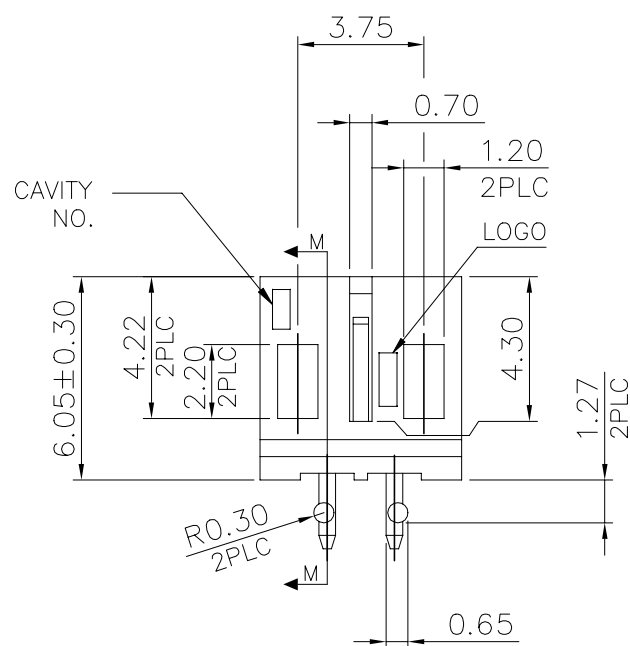
DWN

APVD

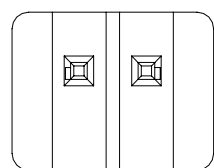
SEE SHEET 1.



SECTION M-M



RECOMMENDED PCB LAYOUT (PCB THK=1.0MM~1.6MM)



POLY BAG	NATURAL WHITE	2P	9-440054-2
PACKAGE	COLOR	POS.	PART NUMBER

THIS DRAWING IS A CONTROLLED DOCUMENT.		DWN	STE TE Connectivity	
DIMENSIONS: MM		CHK		
TOLERANCES UNLESS OTHERWISE SPECIFIED:		APVD	NAME	
0 PLC ± -		PRODUCT SPEC	2.0 MM PITCH HPI VERTICAL POST HEADERS	
1 PLC ± 0.3		APPLICATION SPEC	SIZE	CAGE CODE
2 PLC ± 0.2		WEIGHT	A3	00779
3 PLC ± 0.15		CUSTOMER DRAWING	DRAWING NO	
4 PLC ± -		SCALE	C=440054	
ANGLES ± 3'		SHEET	RESTRICTED TO	
MATERIAL	FINISH	3 OF 9	REV F8	
SEE NOTE (PAGE 1.)	SEE NOTE (PAGE 1.)			

4

3

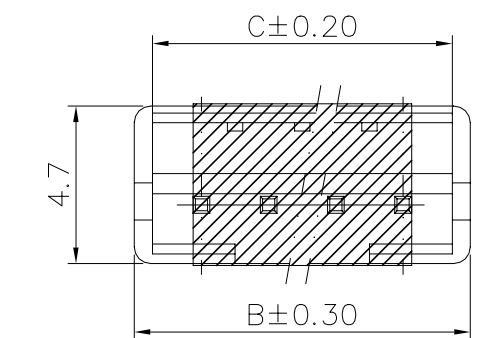
2

1

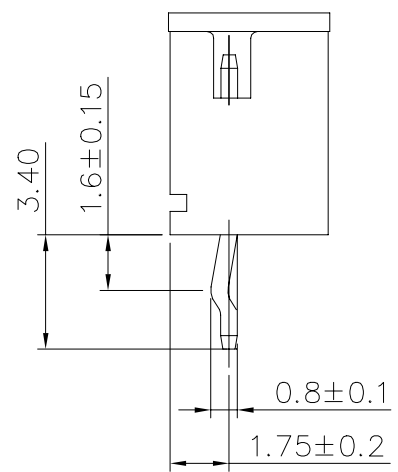
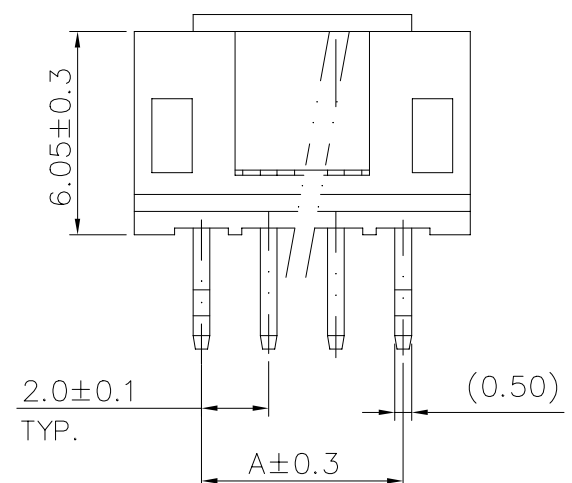
THIS DRAWING IS UNPUBLISHED. RELEASED FOR PUBLICATION AUG ,2006.

© COPYRIGHT 2009 BY TYCO ELECTRONICS CORPORATION. ALL RIGHTS RESERVED.

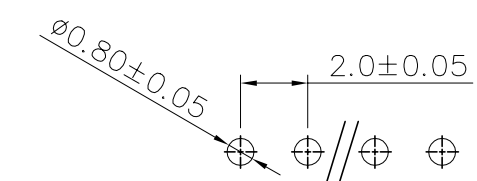
LOC	DIST	REVISIONS					
DW		P	LTR	DESCRIPTION	DATE	DWN	APVD
				SEE SHEET 1.			



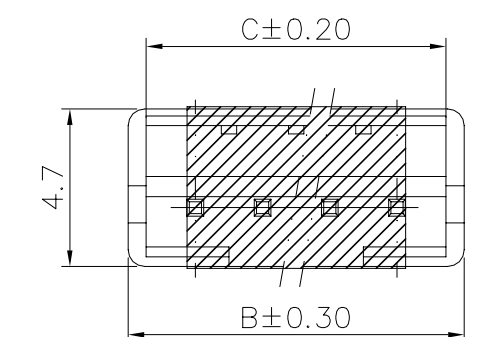
9-440054-1 & 9-440054-4



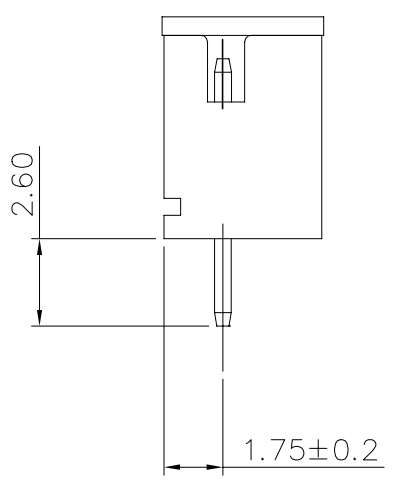
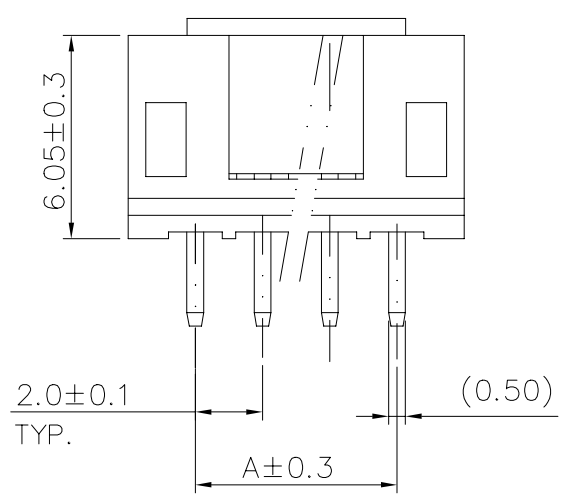
NOTES:
 1. MATERIAL:
 HOUSING: NYLON 6T, UL94V-0, COLOR: SEE TABLE.
 CONTACT: BRASS, THICKNESS=0.50mm.
 △ FINISH:
 2.03um[80u"] MIN. BRIGHT-TIN PLATING ON CONTACT.
 1.27um[50u"] MIN. NICKEL ENTIRE CONTACT UNDERPLATED.
 3. (SMT) REFLOW PROCESS NEED AFFORD 260°C.
 △ FINISH:
 0.762um[30u"] GOLD PLATING OVER ALL.
 1.27um[50u"] MIN. NICKEL ENTIRE CONTACT UNDERPLATED.



RECOMMENDED PCB LAYOUT (PCB THK=1.0MM~1.6MM)



8-440054-7 & 8-440054-6



△4	WITH	TAPE REEL	NATURAL WHITE	14.90	16.00	12.00	7P	8-440054-7
△4	WITH	TAPE REEL	NATURAL WHITE	8.90	10.00	6.00	4P	8-440054-6
△2	WITHOUT	TAPE REEL	NATURAL WHITE	8.90	10.00	6.00	4P	9-440054-1
△2	WITH	TAPE REEL	NATURAL WHITE	8.90	10.00	6.00	4P	9-440054-4
FINISH	CAP	PACKAGE	COLOR	DIM C	DIM B	DIM A	POS	PART NUMBER

THIS DRAWING IS A CONTROLLED DOCUMENT.

DIMENSIONS: MM	TOLERANCES UNLESS OTHERWISE SPECIFIED:	DWN	TE Connectivity	
0 PLC ± -	1 PLC ± 0.3	CHK	NAME	
2 PLC ± 0.2	3 PLC ± 0.15	APVD	2.0 MM PITCH HPI VERTICAL POST HEADERS	
4 PLC ± -	ANGLES ± 3'	PRODUCT SPEC	SIZE	CAGE CODE
MATERIAL SEE NOTE (PAGE 1.)	FINISH SEE NOTE (PAGE 1.)	APPLICATION SPEC	A3	00779
		WEIGHT	DRAWING NO C=440054	
		CUSTOMER DRAWING	RESTRICTED TO	
		SCALE	SHEET 4 OF 9	REV F8

THIS DRAWING IS UNPUBLISHED.

RELEASED FOR PUBLICATION

AUG ,2006.

© COPYRIGHT 2009 BY TYCO ELECTRONICS CORPORATION. ALL RIGHTS RESERVED.

LOC DW DIST

REVISIONS

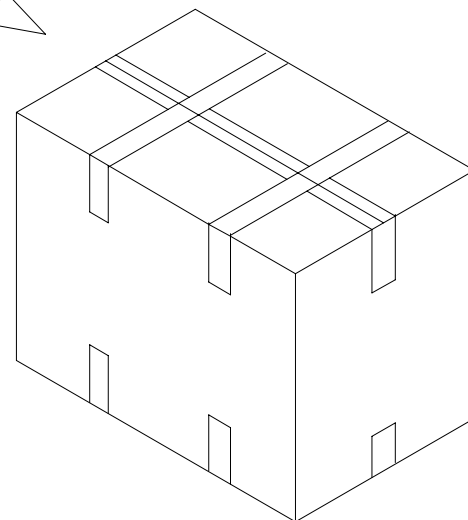
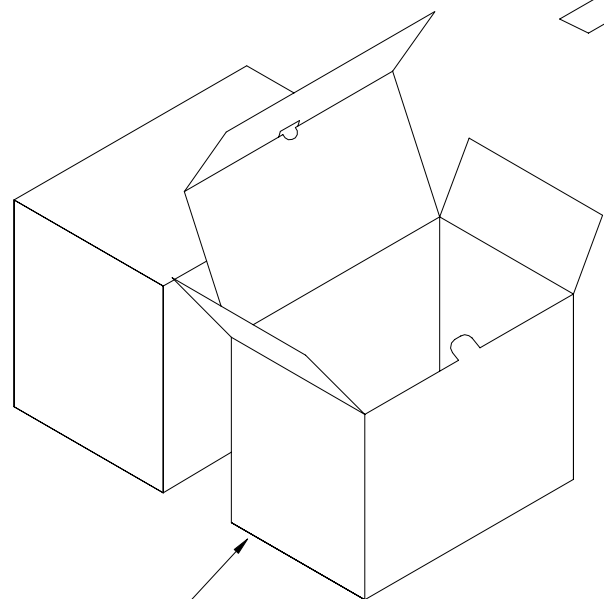
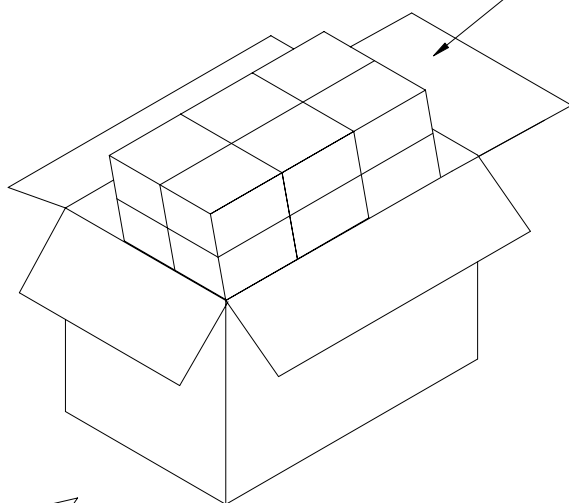
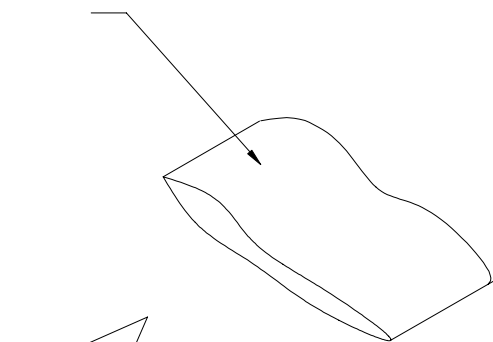
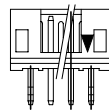
P	LTR	DESCRIPTION	DATE	DWN	APVD
		SEE SHEET 1.			

POLY BAG

CARTON

340mm(L)X 470mm(W)X 178mm(H)
(FOR HEADER 2P~5P ONLY)

340mm(L)X 470mm(W)X 365mm(H)
(FOR HEADER 6P~16P ONLY)



INEER BOX

320mm(L)X 220mm(W)X 155mm(H)

17,600	550	5P	4-440054-1
18,000	250	11P	9-440054-3
20,800	650	4P	3-440054-1
27,000	750	3P	440054-1
17,600	550	5P	8-440054-5
22,400	350	8P	2-440054-0
22,400	350	8P	8-440054-0
17,600	550	4P	9-440054-5
40,000	1,000	2P	9-440054-2
17,600	550	5P	8-440054-5
20,800	650	4P	8-440054-4
27,000	750	3P	8-440054-3
40,000	1,000	2P	8-440054-2
17,600	550	5P	6-440054-5
20,800	650	4P	6-440054-4
27,000	750	3P	6-440054-3
40,000	1,000	2P	6-440054-2
16,000	250	12P	7-440054-6
18,000	250	11P	7-440054-5
19,200	300	10P	7-440054-4
22,400	350	9P	7-440054-3
22,400	350	8P	7-440054-2
25,600	400	7P	7-440054-1
28,800	450	6P	7-440054-0
17,600	550	5P	4-440054-5
20,800	650	4P	4-440054-4
27,000	750	3P	4-440054-3
40,000	1,000	2P	4-440054-2
17,600	550	5P	2-440054-5
20,800	650	4P	2-440054-4
27,000	750	3P	2-440054-3
40,000	1,000	2P	2-440054-2
12,000	200	16P	1-440054-6
12,000	200	15P	1-440054-5
12,800	200	14P	1-440054-4
15,000	250	13P	1-440054-3
16,000	250	12P	1-440054-2
18,000	250	11P	1-440054-1
19,200	300	10P	1-440054-0
22,400	350	9P	440054-9
22,400	350	8P	440054-8
25,600	400	7P	440054-7
28,800	450	6P	440054-6
17,600	550	5P	440054-5
20,800	650	4P	440054-4
27,000	750	3P	440054-3
40,000	1,000	2P	440054-2
APQ	PPQ	POS.	PART NUMBER
(PCS/CARTON)	(PCS/BAG)		

THIS DRAWING IS A CONTROLLED DOCUMENT.

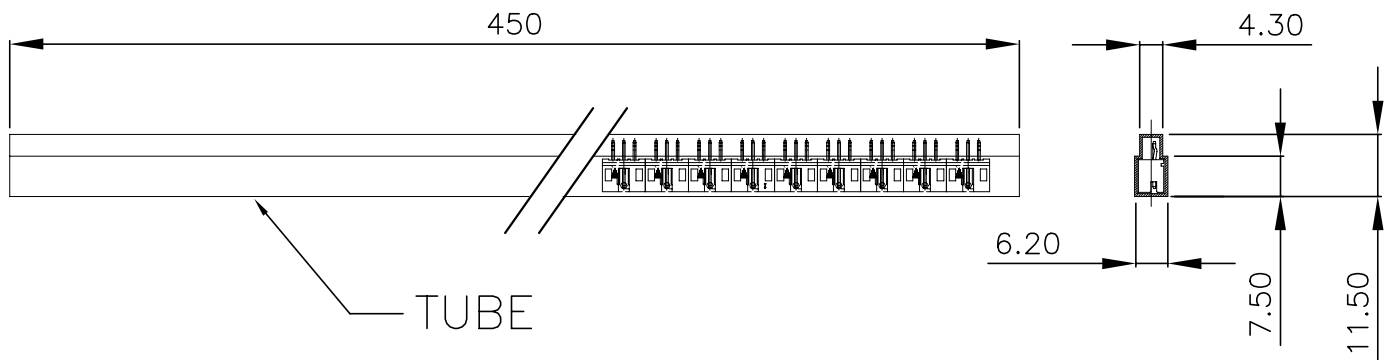
DIMENSIONS: MM	TOLERANCES UNLESS OTHERWISE SPECIFIED: 0 PLC ± - 1 PLC ± - 2 PLC ± - 3 PLC ± - 4 PLC ± - ANGLES ± -	DWN	TE Connectivity NAME 2.0 MM PITCH HPI VERTICAL POST HEADERS
MATERIAL	FINISH	CHK	
		APVD	
		PRODUCT SPEC	
		APPLICATION SPEC	SIZE
		WEIGHT	CAGE CODE
		CUSTOMER DRAWING	DRAWING NO
			RESTRICTED TO
			SCALE
			SHEET
			REV

A3 00779 C=440054
 5 OF 9 F8

THIS DRAWING IS UNPUBLISHED. RELEASED FOR PUBLICATION AUG ,2006.

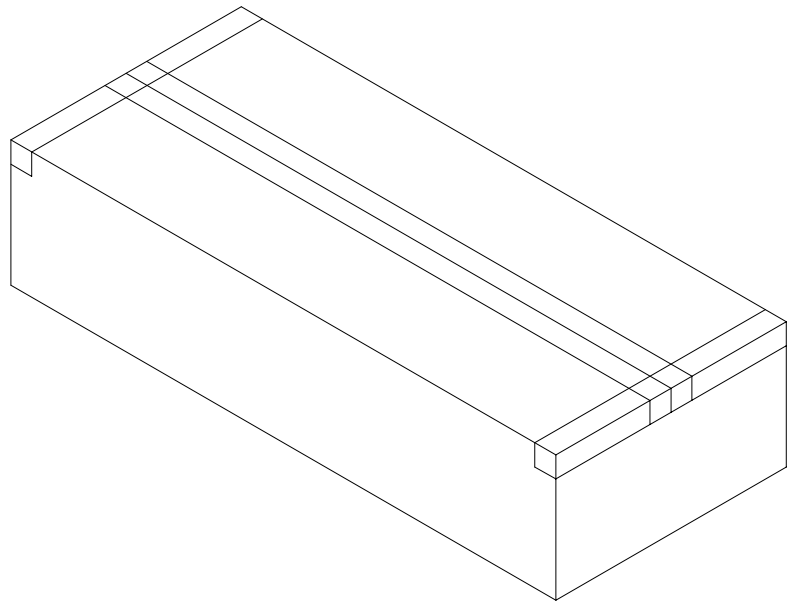
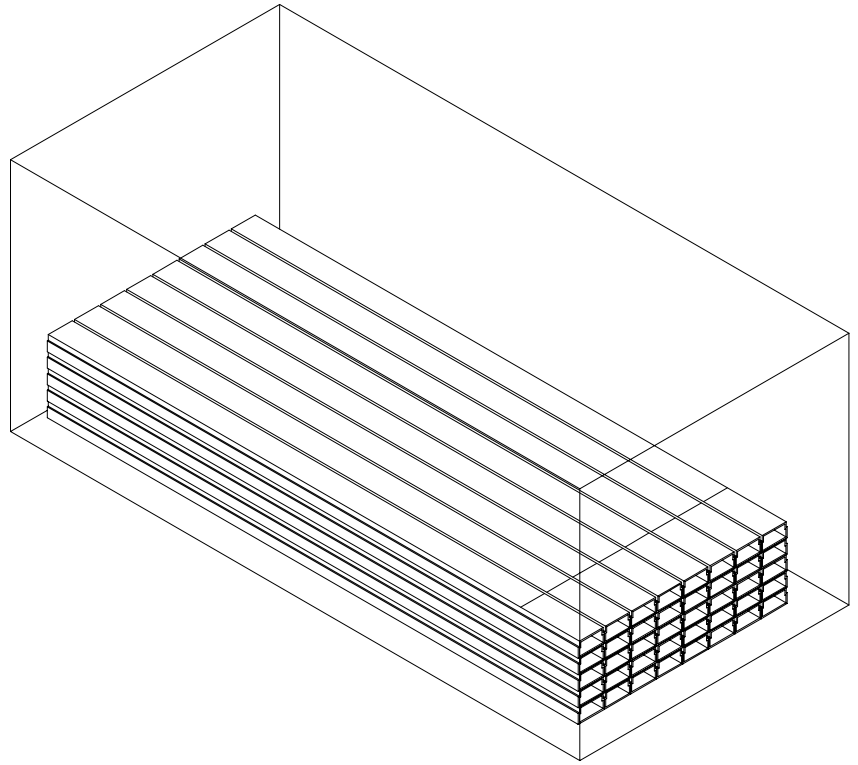
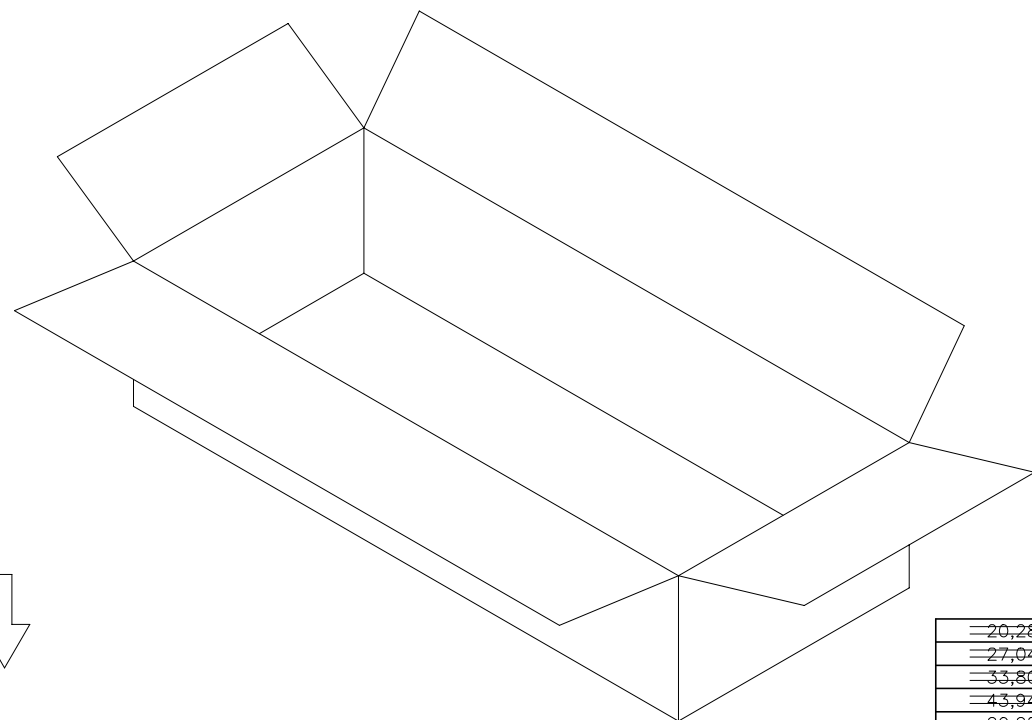
© COPYRIGHT 2009 BY TYCO ELECTRONICS CORPORATION. ALL RIGHTS RESERVED.

LOC	DIST	REVISIONS					
DW		P	LTR	DESCRIPTION	DATE	DWN	APVD
				SEE SHEET 1.			



TUBE

CARTON
470 mm(L)X 340mm(W)X 178mm(H)



20,280	30	5P	8-440054-9
27,040	40	4P	8-440054-8
33,800	50	3P	8-440054-7
43,940	65	2P	8-440054-6
20,280	30	5P	6-440054-9
27,040	40	4P	6-440054-8
33,800	50	3P	6-440054-7
43,940	65	2P	6-440054-6
20,280	30	5P	4-440054-9
27,040	40	4P	4-440054-8
33,800	50	3P	4-440054-7
43,940	65	2P	4-440054-6
20,280	30	5P	2-440054-9
27,040	40	4P	2-440054-8
33,800	50	3P	2-440054-7
43,940	65	2P	2-440054-6
6,760	10	16P	5-440054-6
8,112	12	15P	5-440054-5
8,112	12	14P	5-440054-4
8,788	13	13P	5-440054-3
10,140	15	12P	5-440054-2
10,816	16	11P	5-440054-1
12,168	18	10P	5-440054-0
13,520	20	9P	3-440054-9
14,872	22	8P	3-440054-8
16,900	25	7P	3-440054-7
18,928	28	6P	3-440054-6
20,280	30	5P	3-440054-5
27,040	40	4P	3-440054-4
33,800	50	3P	3-440054-3
43,940	65	2P	3-440054-2
APQ	PPQ	POS.	PART NUMBER
(PCS/CARTON)	(PCS/TUBE)		

THIS DRAWING IS A CONTROLLED DOCUMENT.

DWN
CHK
APVD

TE Connectivity

NAME
2.0 MM PITCH HPI VERTICAL POST HEADERS

PRODUCT SPEC
APPLICATION SPEC
WEIGHT

SIZE
A3

CAGE CODE
00779

DRAWING NO
C=440054

RESTRICTED TO

MATERIAL
FINISH

CUSTOMER DRAWING

SCALE
SHEET 6 of 9

REV F8

4

3

2

1

THIS DRAWING IS UNPUBLISHED.

RELEASED FOR PUBLICATION

AUG ,2006.

© COPYRIGHT 2009 BY TYCO ELECTRONICS CORPORATION. ALL RIGHTS RESERVED.

LOC

DIST

REVISIONS

DW

P

LTR

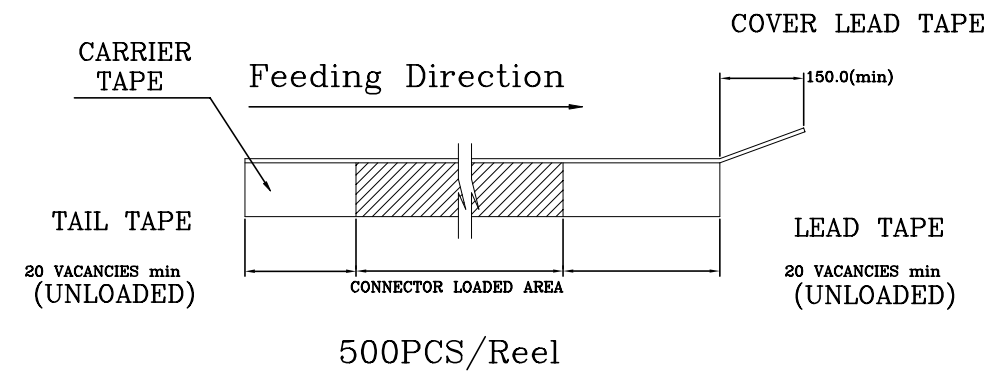
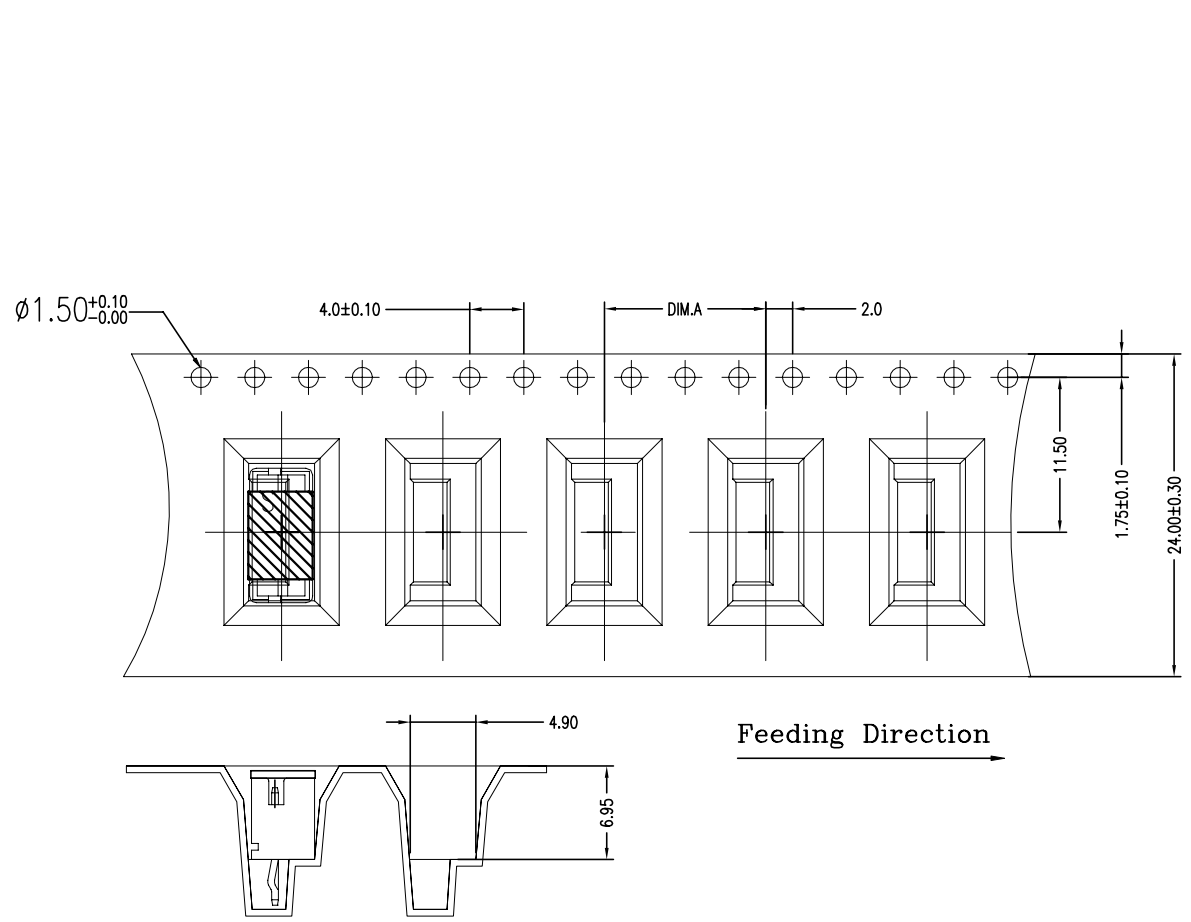
DESCRIPTION

DATE

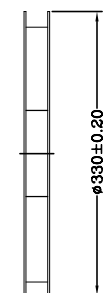
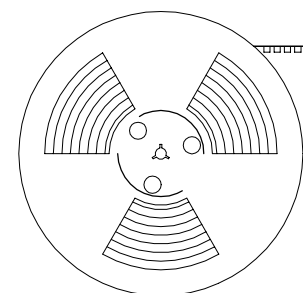
DWN

APVD

SEE SHEET 1.



Feeding Direction



12.0	WITH	2000	500	4P	8-440054-6
12.0	WITH	2000	500	4P	9-440054-4
DIM.A	CAP	APQ (PCS/CARTON)	PPQ (PCS/REEL)	POS.	PART NUMBER

THIS DRAWING IS A CONTROLLED DOCUMENT.		DWN		STE TE Connectivity	
DIMENSIONS: MM		CHK			
TOLERANCES UNLESS OTHERWISE SPECIFIED:		APVD		NAME	
0 PLC ± -		PRODUCT SPEC		2.0 MM PITCH HPI VERTICAL POST HEADERS	
1 PLC ± -		APPLICATION SPEC		SIZE CAGE CODE DRAWING NO RESTRICTED TO	
2 PLC ± -		WEIGHT		A3 00779 C=440054	
3 PLC ± -		CUSTOMER DRAWING		SCALE SHEET 7 of 9 REV F8	
4 PLC ± -					
ANGLES ± -					
MATERIAL		FINISH			

4

3

2

1

THIS DRAWING IS UNPUBLISHED.

RELEASED FOR PUBLICATION

AUG ,2006.

© COPYRIGHT 2009 BY TYCO ELECTRONICS CORPORATION. ALL RIGHTS RESERVED.

LOC

DIST

REVISIONS

DW

P

LTR

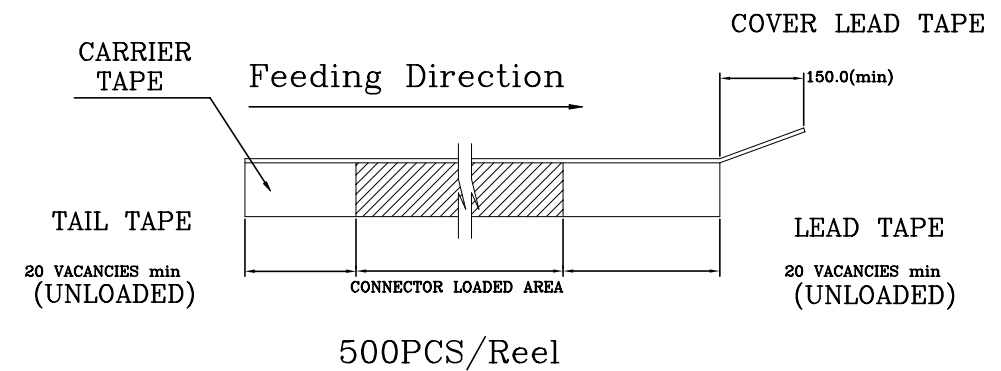
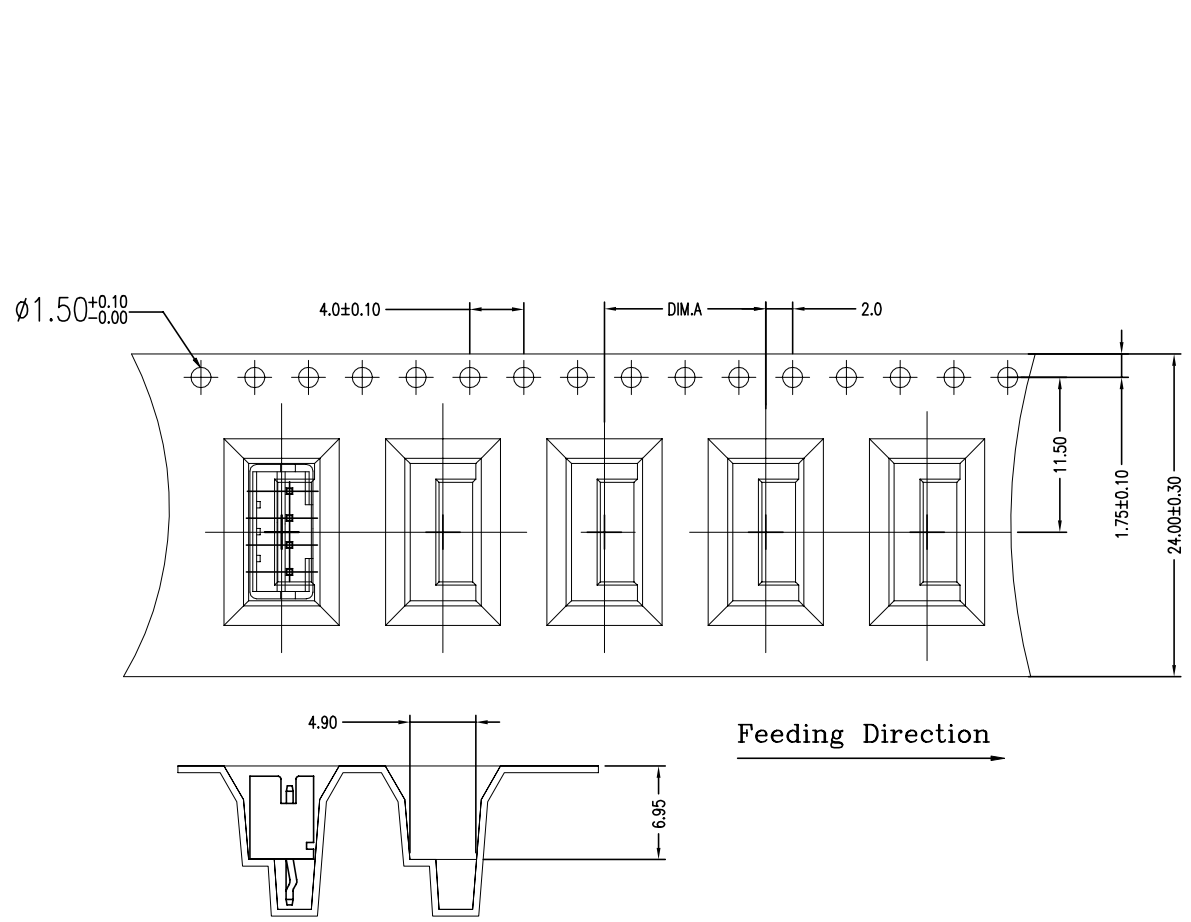
DESCRIPTION

DATE

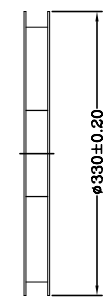
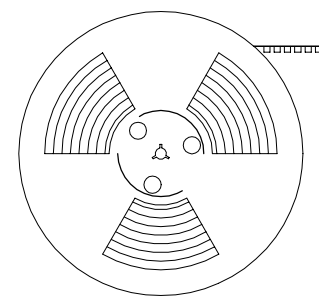
DWN

APVD

SEE SHEET 1.



Feeding Direction



16.0	WITHOUT	1800	450	4P	9-440054-1
DIM.A	CAP	APQ (PCS/CARTON)	PPQ (PCS/REEL)	POS.	PART NUMBER

THIS DRAWING IS A CONTROLLED DOCUMENT.		DWN		STE TE Connectivity	
DIMENSIONS: MM		CHK			
TOLERANCES UNLESS OTHERWISE SPECIFIED:		APVD		NAME	
0 PLC ± -		PRODUCT SPEC		2.0 MM PITCH HPI VERTICAL POST HEADERS	
1 PLC ± -		APPLICATION SPEC		SIZE CAGE CODE DRAWING NO RESTRICTED TO	
2 PLC ± -		WEIGHT		A3 00779 C=440054	
3 PLC ± -		CUSTOMER DRAWING		SCALE SHEET 8 of 9 REV F8	
4 PLC ± -					
ANGLES ± -					
MATERIAL		FINISH			

4

3

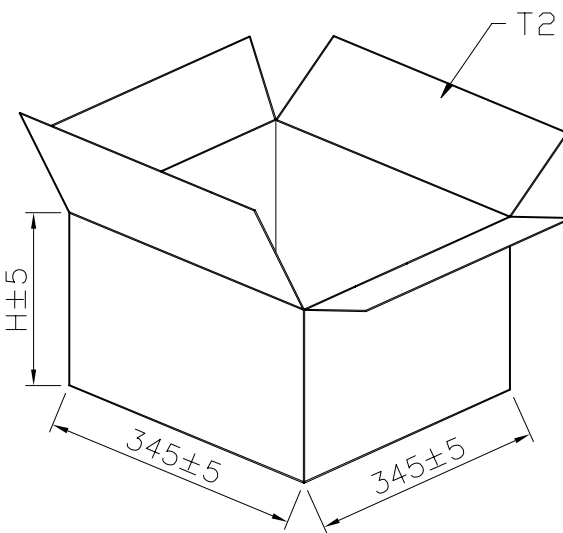
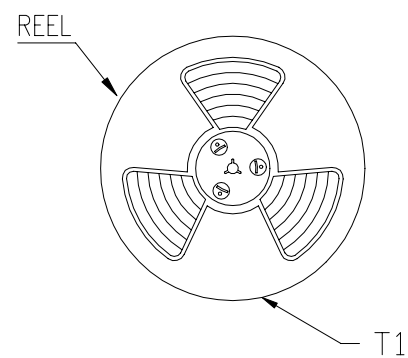
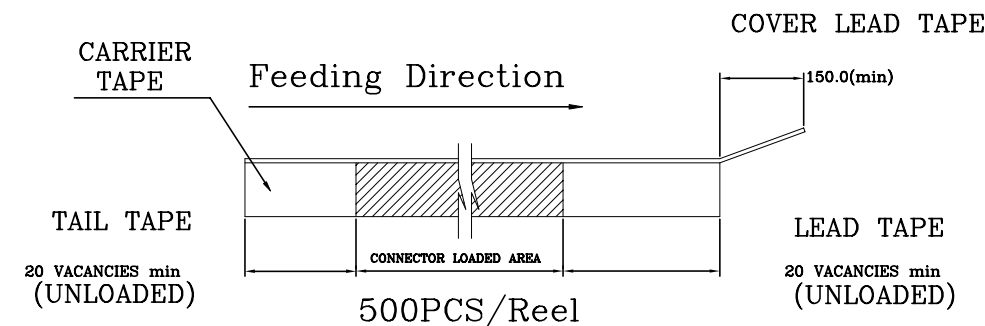
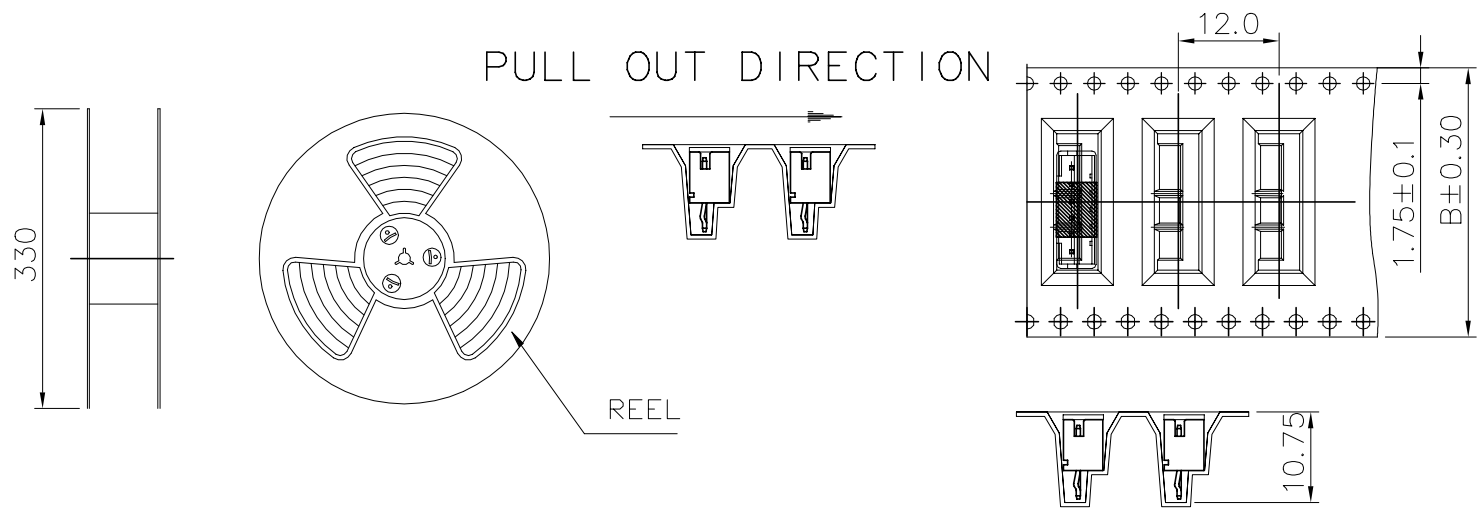
2

1

THIS DRAWING IS UNPUBLISHED. RELEASED FOR PUBLICATION AUG ,2006.

© COPYRIGHT 2009 BY TYCO ELECTRONICS CORPORATION. ALL RIGHTS RESERVED.

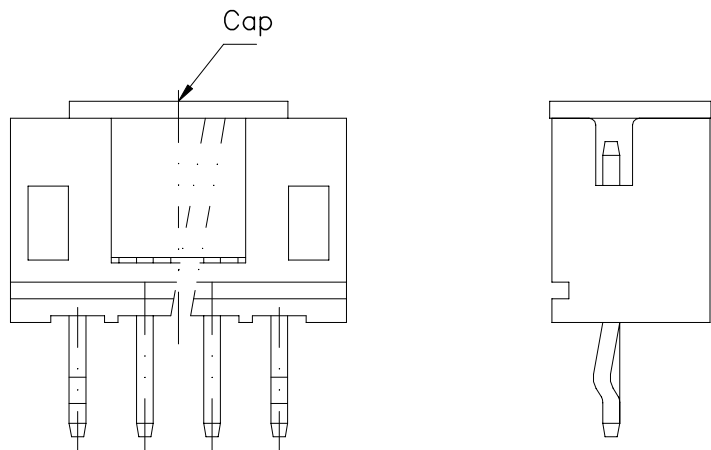
LOC	DIST	REVISIONS					
DW		P	LTR	DESCRIPTION	DATE	DWN	APVD
				SEE SHEET 1.			



H(mm)	POS	B(mm)	PCS./REEL	PCS/CARTON-T2
225	10P	44	500 PCS.	500X4=2000PCS.
125	7P	32	500 PCS.	500X3=1500PCS.

NOTE:
 9-440054-0 10POS WAVE SOLDER PART CAP TYPE.
 8-/9-440054-7 7POS WAVE SOLDER PART CAP TYPE.

32.0	1500	500	7P	8-440054-7
32.0	1500	500	7P	9-440054-7
44.0	2000	500	10P	9-440054-0
B(mm)	APQ (PCS/CARTON)	PPQ (PCS/REEL)	POS.	PART NUMBER



THIS DRAWING IS A CONTROLLED DOCUMENT.

DIMENSIONS: MM	TOLERANCES UNLESS OTHERWISE SPECIFIED: 0 PLC ± - 1 PLC ± - 2 PLC ± - 3 PLC ± - 4 PLC ± - ANGLES ± -	DWN CHK APVD PRODUCT SPEC APPLICATION SPEC WEIGHT	TE Connectivity NAME 2.0 MM PITCH HPI VERTICAL POST HEADERS	
MATERIAL	FINISH	CUSTOMER DRAWING	SIZE A3	CAGE CODE 00779
		DRAWING NO C=440054		RESTRICTED TO
		SCALE	SHEET 9 of 9	REV F8

X-ON Electronics

Largest Supplier of Electrical and Electronic Components

Click to view similar products for [Headers & Wire Housings](#) category:

Click to view products by [TE Connectivity](#) manufacturer:

Other Similar products are found below :

[892-18-020-10-001101](#) [58102-G61-06LF](#) [582553-1](#) [0009485154](#) [009176003701906](#) [0050291907](#) [LY20-4P-DT1-P1E-BR](#) [02.125.8002.8](#)
[609-3404](#) [61062-3](#) [61082-181009](#) [622-3653LF](#) [63453-116](#) [636-1030](#) [636-1427](#) [636-3427](#) [636-4007](#) [641938-9](#) [641991-4](#) [644827-2](#) [65817-](#)
[010LF](#) [65817-015LF](#) [65863-015LF](#) [66207-023LF](#) [67095-007LF](#) [67601157](#) [68645-018](#) [68648-049](#) [70.362.1628.0](#) [70-4210](#) [70-4226B](#) [70-](#)
[4853B](#) [707-5020](#) [707-5028](#) [71.350.2428.0](#) [71918-208LF](#) [71961-016LF](#) [733-134](#) [733-162](#) [754199-000](#) [760-3052](#) [787-8014-00](#) [79531-3000](#)
[FCN-360C032-B](#) [FCN-367T-T012/H](#) [FCN-723D010/2](#) [80.063.4001.1](#) [800-90-001-10-001000](#) [800-90-010-10-002000](#) [801-43-002-10-013000](#)