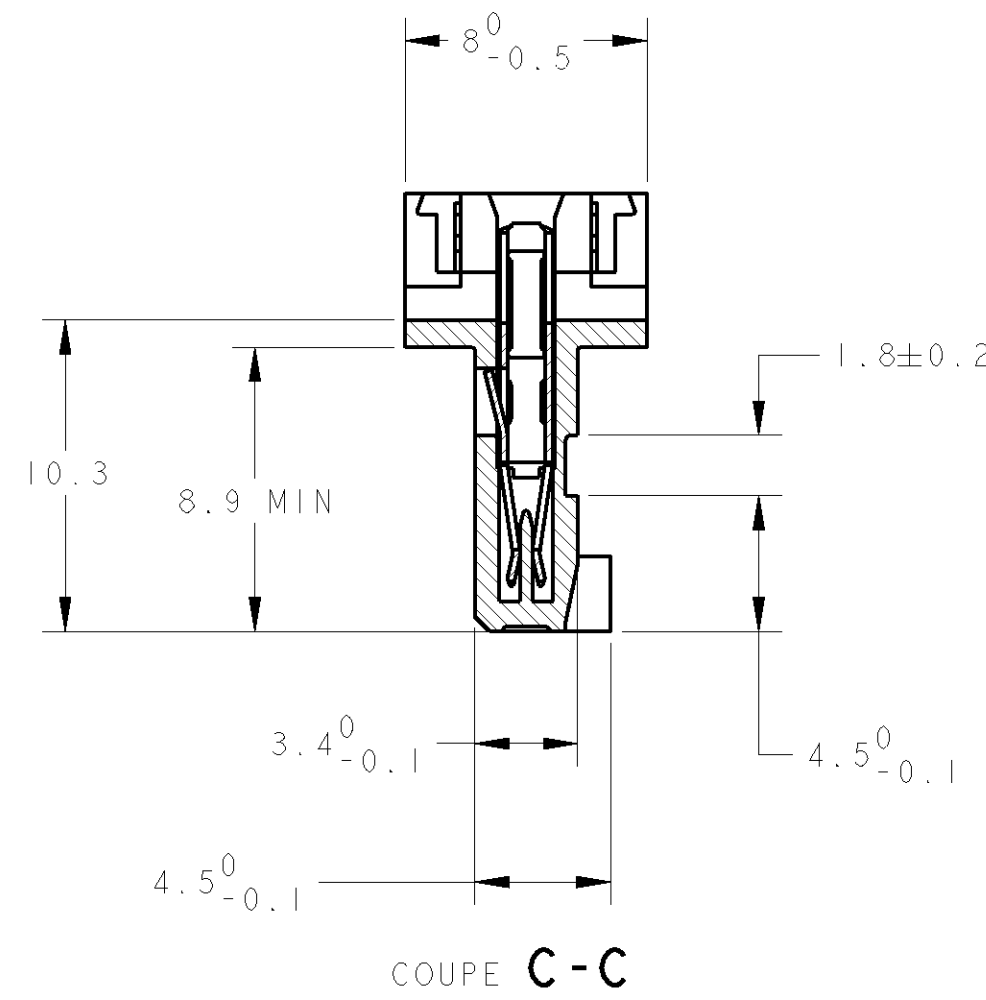
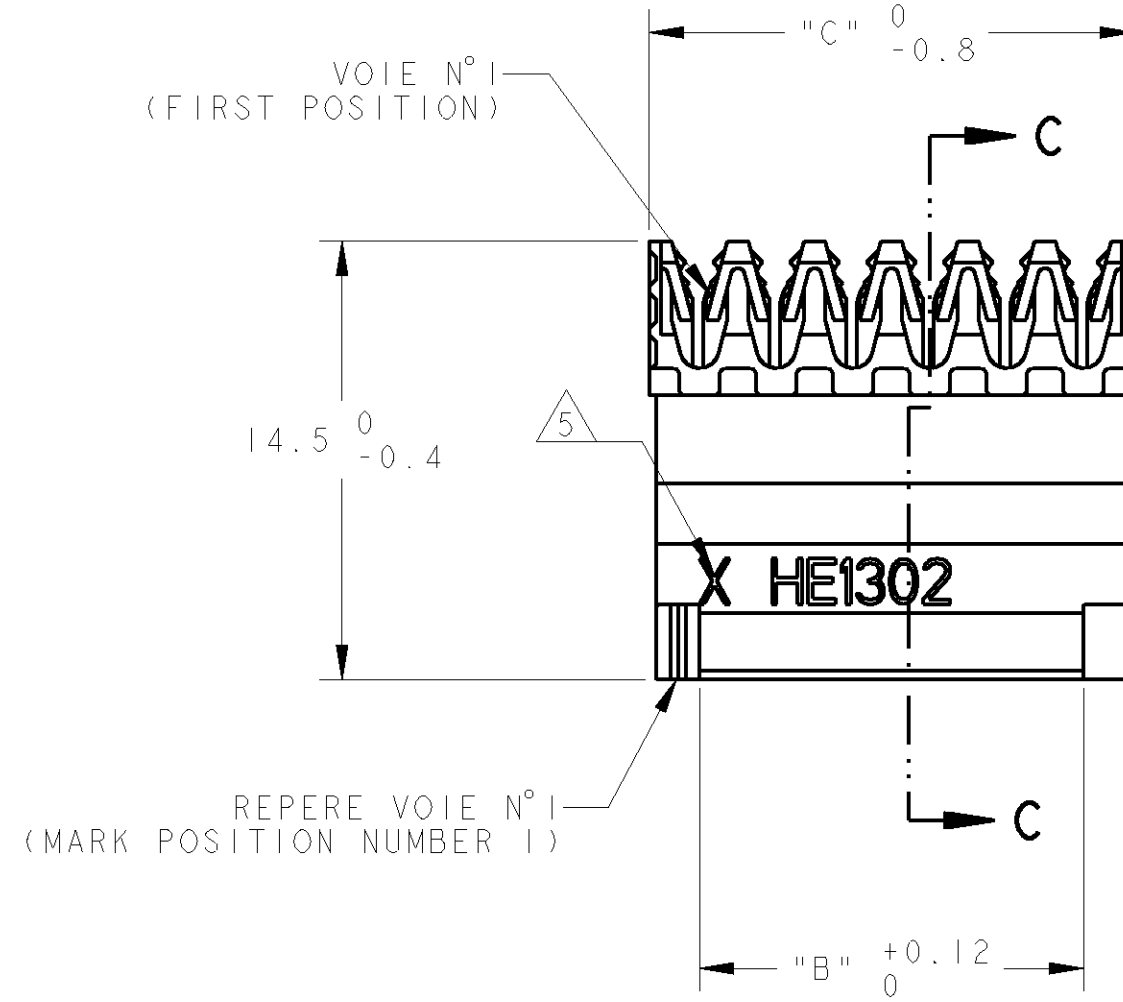
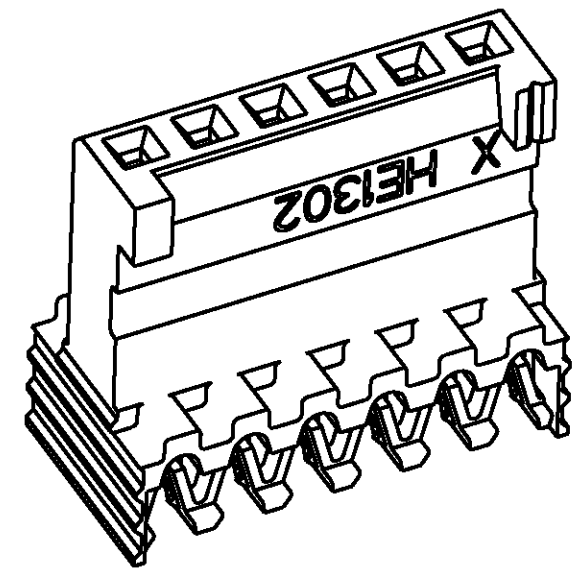
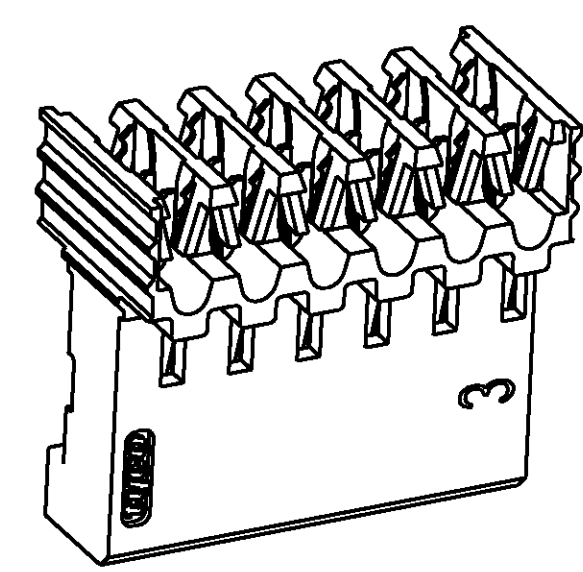
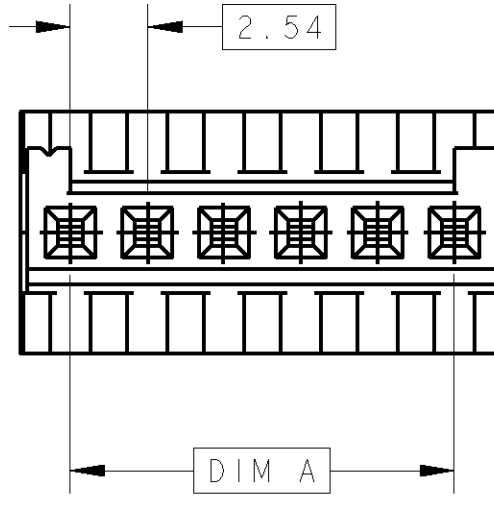


THIS DRAWING IS UNPUBLISHED.
 DIFFUSION RESTREINTE
 © COPYRIGHT

RELEASED FOR PUBLICATION
 LIBRE A LA DIFFUSION
 ALL RIGHTS RESERVED
 TOUS DROITS RESERVES

FILS ADMISSIBLES (ACCEPTABLE WIRES)	
JAUGE (AWG) SECTION / 7 BRINS (7 STRANDS)	24 0.22mm ²
ISOLANT: Ø MAX / MATIERE (INSUL.: Ø MAX / MAT'L)	Ø 1.2 / PVC

LOC	DIST	REVISIONS					
F	7	P	LTR	DESCRIPTION MODIFICATIONS	DATE	DWN DESS.	APVD APP.
		E1		REVISED PER ECO-11-005150	19APR11	RK	HMR



OBSOLETE	9	64.36	66.96	25	2	201709-5	2	144273-5	
OBSOLETE	9	61.76	58.42	24	2	201709-4	2	144273-4	
OBSOLETE	10	59.22	55.06	23	2	201709-3	2	144273-3	
OBSOLETE	10	56.68	53.34	22	2	201709-2	2	144273-2	
OBSOLETE	10	54.14	50.66	21	2	201709-1	2	144273-1	
OBSOLETE	11	51.60	48.26	20	2	201709-0	2	144273-0	
OBSOLETE	12	49.06	45.72	19	1	201709-9	1	144273-9	
	12	46.52	43.18	18	1	281709-8 *	1	144273-8 *	
OBSOLETE	13	43.98	40.64	17	1	201709-7	1	144273-7	
OBSOLETE	14	41.44	38.10	16	1	201709-6	1	144273-6	
	15	38.90	35.56	15	1	281709-5 *	1	144273-5 *	
OBSOLETE	16	36.36	33.02	14	1	201709-4	1	144273-4	
OBSOLETE	17	33.82	30.48	13	1	201709-3	1	144273-3	
	18	31.28	27.94	12	1	281709-2 *	1	144273-2 *	
OBSOLETE	20	28.74	25.40	11	1	201709-1	1	144273-1	
OBSOLETE	20	26.20	22.86	10	1	281709-0 *	1	144273-0 *	
OBSOLETE	25	23.66	20.32	9	0	201709-9	0	144273-9	
	25	21.12	17.78	8	0	281709-8 *	0	144273-8 *	
	30	18.58	15.24	7	0	281709-7	0	144273-7	
	35	16.04	12.70	6	0	281709-6 *	0	144273-6 *	
	40	13.50	10.16	5	0	281709-5 *	0	144273-5 *	
	50	10.96	7.62	4	0	281709-4 *	0	144273-4 *	
	70	8.42	5.08	3	0	281709-3 *	0	144273-3 *	
	100	5.88	2.54	2	0	281709-2	0	144273-2	
QUANT / TUBE		C	A, B		Nb DE POS			VRAC (L.P.)	
		DIMENSIONS				REFERENCES (PART No)			

- 1 CES CONNECTEURS SONT PREVUS POUR ETRE ACCOUPLES AVEC LES EMBASES 'HE1302' SIMPLE RANGEE (THESE CONNECTORS ARE DESIGNED TO BE MATED WITH 'HE1302' HEADERS SINGLE ROW)
- 2 LES REFERENCES SUIVIES D'UN ' * ' SONT LES VERSIONS NORMALISEES SELON LA 'CEI 603-8' (THE PART-NO FOLLOWED BY ' * ' ARE COVERED BY THE INTERNATIONAL STANDARD 'IEC 603-8')
- 3 REVETEMENT DES CONTACTS: 0.4µm OR DANS LA ZONE DE CONTACT, ETAIN SUR SORTIE CAD, SOUS-COUCHE NICKEL (CONTACTS PLATING: 0.4µm GOLD ON CONTACT AREA, TIN ON I.D. BARREL AREA NICKEL UNDER-PLATING)
- 4 CONNECTEURS CONDITIONNES SOUS TUBE PVC (THESE CONNECTORS ARE PACKAGED IN TUBE)
- 5 ' X ' EST REMPLACE PAR LE DEUXIEME CHIFFRE DES JAUGES AWG (' X ' REPLACED BY THE SECOND DIGIT OF AWG AS DEFINED IN TABLE)
- 6 MATERIAUX - BOITIER: PBT UL 94V0 - CONTACTS: BRONZE PHOSPHOREUX (MATERIALS - CASE: PBT UL 94V0 - CONTACTS: PHOSPHOR BRONZE)

DIMENSIONS: mm		TOLERANCES UNLESS OTHERWISE SPECIFIED: (SUIV NB DE DECIMALES) 0 PLC/DEC: ± 1 PLC/DEC: ±0.3 2 PLC/DEC: ± 3 PLC/DEC: ± 4 PLC/DEC: ± ANGLES ±5°		DWN/DESSINE 1/NOV2000 C. COMBEDOUZON CHK/VERIFIE 1/NOV2000 T. CORRIOU APVD/APPROUVE 1/NOV2000 Y. PETRONIN		TE Connectivity	
MATERIAL/MATIERE		FINISH/FINITION		PRODUCT SPEC SPEC, PRODUCT 108-15053		NAME TITRE HE1302 PLUG, 90deg IDC SINGLE ROW	
6		3		APPLICATION SPEC SPEC, APPLICATION 114-15030		SIZE FORMAT A2	
				WEIGHT MASSE APPROX. -		CAGE CODE 00779	
				CUSTOMER DRAWING /PLAN CLIENT		DRAWING NO No PLAN C-281709	
				UNIFORMEMENT POUR REFERENCE		SCALE ECHELLE 4	
				SHEET FEUILLE		OF DE	
				REV E1			

X-ON Electronics

Largest Supplier of Electrical and Electronic Components

Click to view similar products for [Headers & Wire Housings](#) category:

Click to view products by [TE Connectivity](#) manufacturer:

Other Similar products are found below :

[95000-104TRLF](#) [10135584-644402LF](#) [DF62W-EP2022PCA](#) [95000-106TRLF](#) [DF62W-2022SCA](#) [DF62W-EP2022PC](#) [2203348](#) [DF62W-2022SC](#) [1084018](#) [1029039](#) [1084017](#) [802-10-012-10-002000](#) [1112640](#) [1112639](#) [000-34000](#) [0009482033](#) [0009507031](#) [57102-S06-03LF](#) [57202-S52-04LF](#) [PCN6-15S-2.5E](#) [0039019024](#) [58102-G61-06LF](#) [582553-1](#) [0009508121](#) [0050291907](#) [018731A](#) [LY20-4P-DT1-P1E-BR](#) [02.125.8002.8](#) [60101931](#) [60598-1 \(Cut Strip\)](#) [M1625-3R/100](#) [61062-3](#) [61082-181009](#) [636-1427](#) [638009-1](#) [641938-9](#) [641991-4](#) [644168-1](#) [647662-1](#) [65039-019ELF](#) [65817-002LF](#) [65817-015LF](#) [65863-015LF](#) [66207-023LF](#) [67016-026LF](#) [67046-001LF](#) [67095-007LF](#) [68002-116](#) [68016-236H](#) [68648-049](#)