

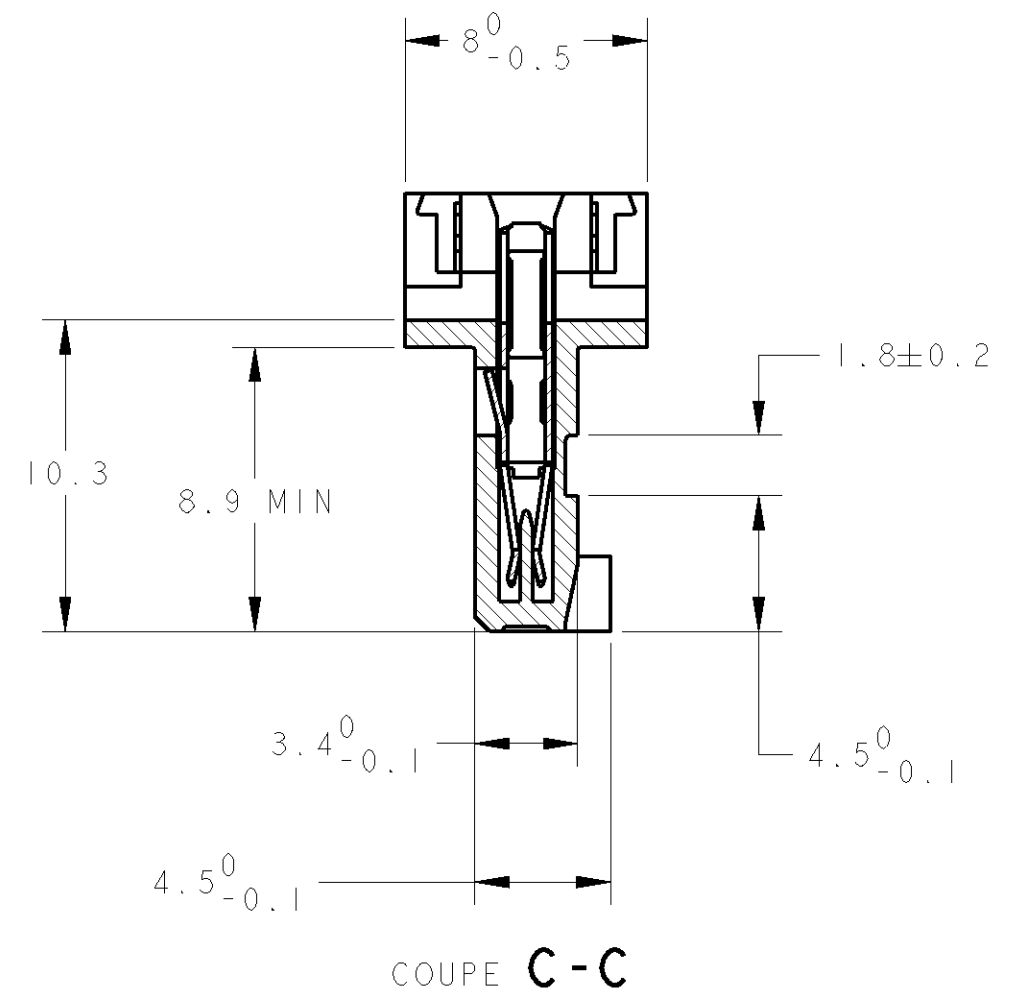
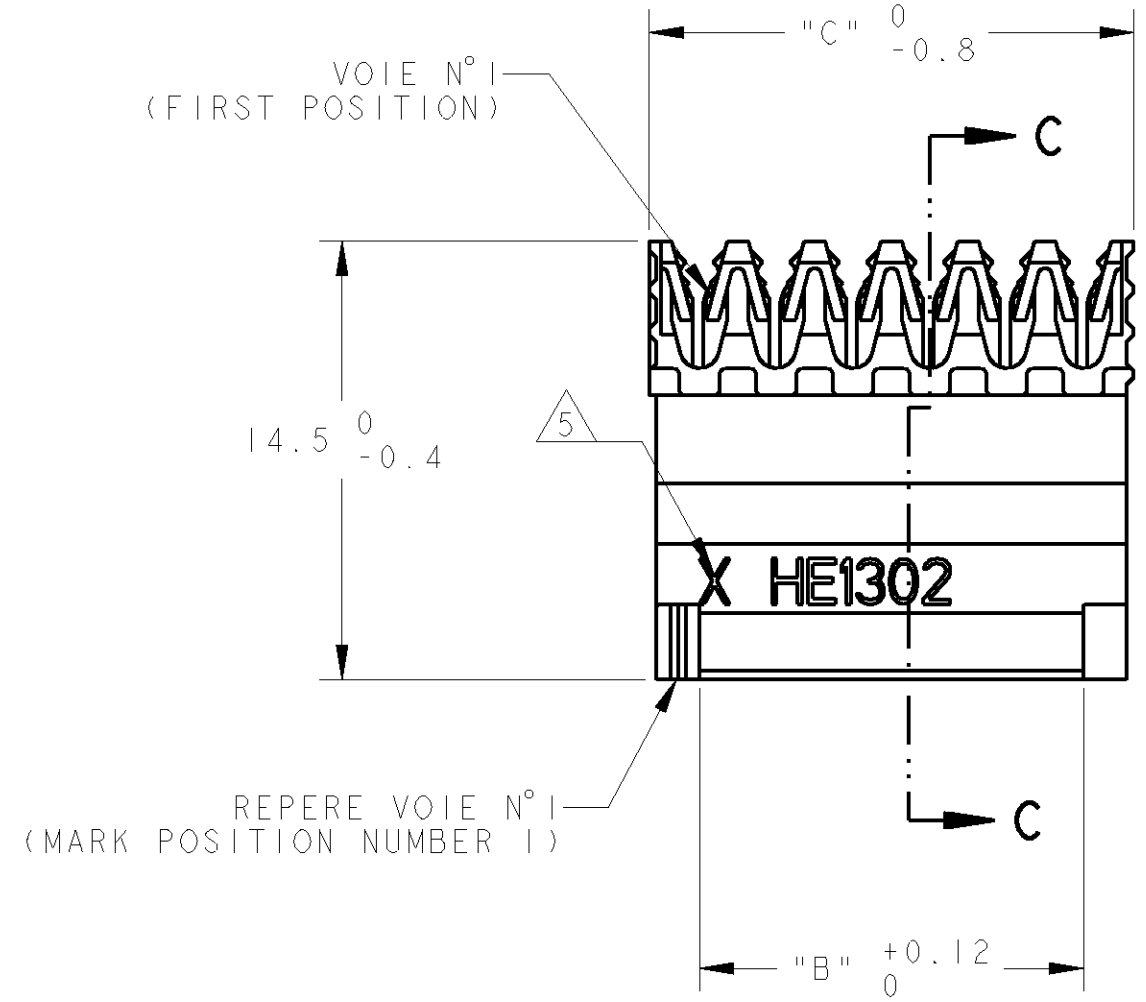
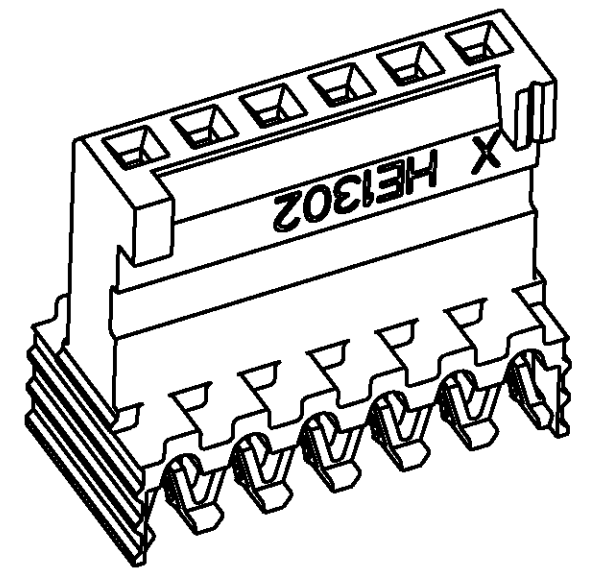
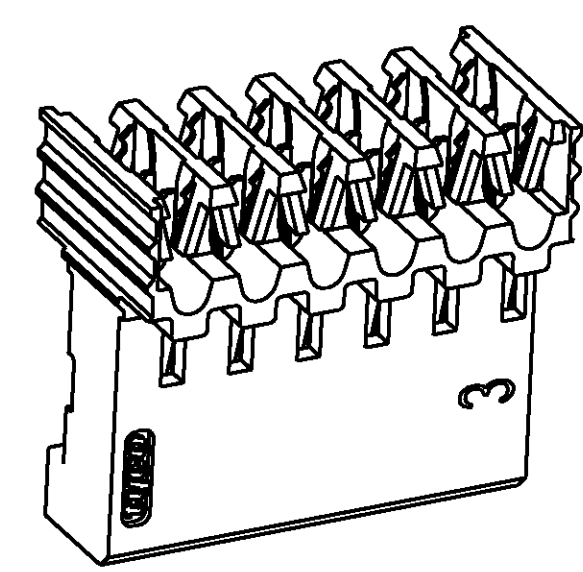
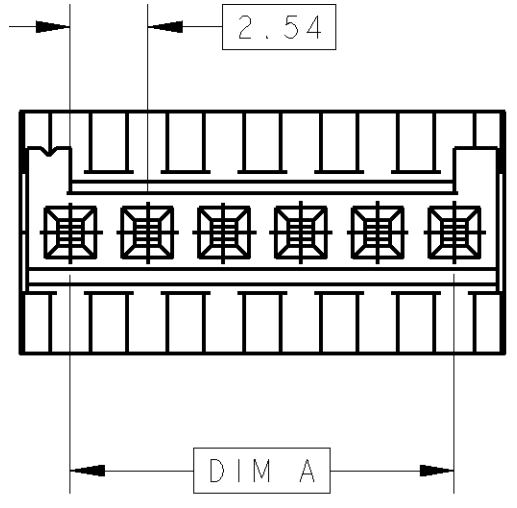
THIS DRAWING IS UNPUBLISHED.  
DIFFUSION RESTREINTE

RELEASED FOR PUBLICATION  
LIBRE A LA DIFFUSION

© COPYRIGHT  
ALL RIGHTS RESERVED  
TOUS DROITS RESERVES

FILS ADMISSIBLES (ACCEPTABLES WIRES)	
JAUGE (AWG) SECTION / 7 BRINS (7 STRANDS)	24 0.22mm <sup>2</sup>
ISOLANT: Ø MAX / MATIERE (INSUL.: Ø MAX / MAT'L)	Ø 1.2 / PVC

LOC	DIST	REVISIONS					
F	7	P	LTR	DESCRIPTION MODIFICATIONS	DATE	DWN DESS.	APVD APP.
		E1		REVISED PER ECO-11-005150	19APR11	RK	HMR



<del>OBSOLETE</del>	<del>9</del>	<del>64.30</del>	<del>60.96</del>	<del>25</del>	<del>2</del>	<del>201709-5</del>	<del>2</del>	<del>144273-5</del>
<del>OBSOLETE</del>	<del>9</del>	<del>61.76</del>	<del>58.42</del>	<del>24</del>	<del>2</del>	<del>201709-4</del>	<del>2</del>	<del>144273-4</del>
<del>OBSOLETE</del>	<del>10</del>	<del>59.22</del>	<del>55.00</del>	<del>23</del>	<del>2</del>	<del>201709-3</del>	<del>2</del>	<del>144273-3</del>
<del>OBSOLETE</del>	<del>10</del>	<del>56.68</del>	<del>53.34</del>	<del>22</del>	<del>2</del>	<del>201709-2</del>	<del>2</del>	<del>144273-2</del>
<del>OBSOLETE</del>	<del>10</del>	<del>54.14</del>	<del>50.00</del>	<del>21</del>	<del>2</del>	<del>201709-1</del>	<del>2</del>	<del>144273-1</del>
<del>OBSOLETE</del>	<del>11</del>	<del>51.60</del>	<del>48.26</del>	<del>20</del>	<del>2</del>	<del>201709-0</del>	<del>2</del>	<del>144273-0</del>
<del>OBSOLETE</del>	<del>12</del>	<del>49.06</del>	<del>45.72</del>	<del>19</del>	<del>1</del>	<del>201709-9</del>	<del>1</del>	<del>144273-9</del>
	12	46.52	43.18	18	1	1-281709-8 *	1	1-144273-8 *
<del>OBSOLETE</del>	<del>13</del>	<del>43.98</del>	<del>40.64</del>	<del>17</del>	<del>1</del>	<del>201709-7</del>	<del>1</del>	<del>144273-7</del>
<del>OBSOLETE</del>	<del>14</del>	<del>41.44</del>	<del>38.10</del>	<del>16</del>	<del>1</del>	<del>201709-6</del>	<del>1</del>	<del>144273-6</del>
	15	38.90	35.56	15	1	1-281709-5 *	1	1-144273-5 *
<del>OBSOLETE</del>	<del>16</del>	<del>36.36</del>	<del>33.02</del>	<del>14</del>	<del>1</del>	<del>201709-4</del>	<del>1</del>	<del>144273-4</del>
<del>OBSOLETE</del>	<del>17</del>	<del>33.82</del>	<del>30.48</del>	<del>13</del>	<del>1</del>	<del>201709-3</del>	<del>1</del>	<del>144273-3</del>
	18	31.28	27.94	12	1	1-281709-2 *	1	1-144273-2 *
<del>OBSOLETE</del>	<del>20</del>	<del>28.74</del>	<del>25.40</del>	<del>11</del>	<del>1</del>	<del>201709-1</del>	<del>1</del>	<del>144273-1</del>
	20	26.20	22.86	10	1	1-281709-0 *	1	1-144273-0 *
<del>OBSOLETE</del>	<del>25</del>	<del>23.66</del>	<del>20.32</del>	<del>9</del>	<del>0</del>	<del>201709-0</del>	<del>0</del>	<del>144273-0</del>
	25	21.12	17.78	8	0	0-281709-8 *	0	0-144273-8 *
	30	18.58	15.24	7	0	0-281709-7	0	0-144273-7
	35	16.04	12.70	6	0	0-281709-6 *	0	0-144273-6 *
	40	13.50	10.16	5	0	0-281709-5 *	0	0-144273-5 *
	50	10.96	7.62	4	0	0-281709-4 *	0	0-144273-4 *
	70	8.42	5.08	3	0	0-281709-3 *	0	0-144273-3 *
	100	5.88	2.54	2	0	0-281709-2	0	0-144273-2
QUANT / TUBE		C	A, B			Nb DE POS		REFERENCES (PART No)
		DIMENSIONS						

- 1 CES CONNECTEURS SONT PREVUS POUR ETRE ACCOUPLES AVEC LES EMBASES 'HE1302' SIMPLE RANGEE
- 2 LES REFERENCES SUIVIES D'UN ' \* ' SONT LES VERSIONS NORMALISEES SELON LA 'CEI 603-8'
- 3 REVETEMENT DES CONTACTS: 0.4µm OR DANS LA ZONE DE CONTACT, ETAIN SUR SORTIE CAD, SOUS-COUCHE NICKEL
- 4 CONNECTEURS CONDITIONNES SOUS TUBE PVC
- 5 ' X ' EST REMPLACE PAR LE DEUXIEME CHIFFRE DES JAUGES AWG
- 6 MATERIAUX - BOITIER: PBT UL 94V0 - CONTACTS: BRONZE PHOSPHOREUX

- (THESE CONNECTEURS ARE DESIGNED TO BE MATED WITH 'HE1302' HEADERS SINGLE ROW)
- (THE PART-NO FOLLOWED BY ' \* ' ARE COVERED BY THE INTERNATIONAL STANDARD 'IEC 603-8')
- (CONTACTS PLATING: 0.4µm GOLD ON CONTACT AREA, TIN ON I.D. BARREL AREA NICKEL UNDER-PLATING)
- (THESE CONNECTEURS ARE PACKAGED IN TUBE)
- (' X ' REPLACED BY THE SECOND DIGIT OF AWG AS DEFINED IN TABLE)
- (MATERIALS - CASE: PBT UL 94V0 - CONTACTS: PHOSPHOR BRONZE)

DIMENSIONS: mm		TOLERANCES UNLESS OTHERWISE SPECIFIED: (SUIV NB DE DECIMALES) 0 PLC/DEC: ± 1 PLC/DEC: ±0.3 2 PLC/DEC: ± 3 PLC/DEC: ± 4 PLC/DEC: ± ANGLES ±5°		DWN/DESSINE: 1/NOV2000 C. COMBEDOUZON CHK/VERIFIE: 1/NOV2000 T. CORRIOU APVD/APPROUVE: 1/NOV2000 Y. PETRONIN		NAME TITRE: HE1302 PLUG, 90deg IDC SINGLE ROW	
MATERIAL/MATIERE		FINISH/FINITION		PRODUCT SPEC: 108-15053		SIZE FORMAT: A2	
6		3		APPLICATION SPEC: 114-15030		CAGE CODE: 00779	
				WEIGHT MASSE APPROX.:		DRAWING NO No PLAN: C-281709	
CUSTOMER DRAWING /PLAN CLIENT				UNIFORMEMENT POUR REFERENCE		SCALE ECHELLE: 4	
				SHEET FEUILLE: OF DE:		RESTRICTED TO RESERVE A: REV E1	



## X-ON Electronics

Largest Supplier of Electrical and Electronic Components

*Click to view similar products for [Headers & Wire Housings](#) category:*

*Click to view products by [TE Connectivity](#) manufacturer:*

Other Similar products are found below :

[95000-104TRLF](#) [10135584-644402LF](#) [DF62W-EP2022PCA](#) [95000-106TRLF](#) [DF62W-2022SCA](#) [DF62W-EP2022PC](#) [2203348](#) [DF62W-2022SC](#) [1084018](#) [1029039](#) [1084017](#) [802-10-012-10-002000](#) [1112640](#) [1112639](#) [000-34000](#) [0009482033](#) [0009507031](#) [57102-S06-03LF](#) [57202-S52-04LF](#) [PCN6-15S-2.5E](#) [0039019024](#) [58102-G61-06LF](#) [582553-1](#) [0009508121](#) [0050291907](#) [018731A](#) [LY20-4P-DT1-P1E-BR](#) [02.125.8002.8](#) [60101931](#) [60598-1 \(Cut Strip\)](#) [M1625-3R/100](#) [61062-3](#) [61082-181009](#) [636-1427](#) [638009-1](#) [641938-9](#) [641991-4](#) [644168-1](#) [647662-1](#) [65039-019ELF](#) [65817-002LF](#) [65817-015LF](#) [65863-015LF](#) [66207-023LF](#) [67016-026LF](#) [67046-001LF](#) [67095-007LF](#) [68002-116](#) [68016-236H](#) [68648-049](#)