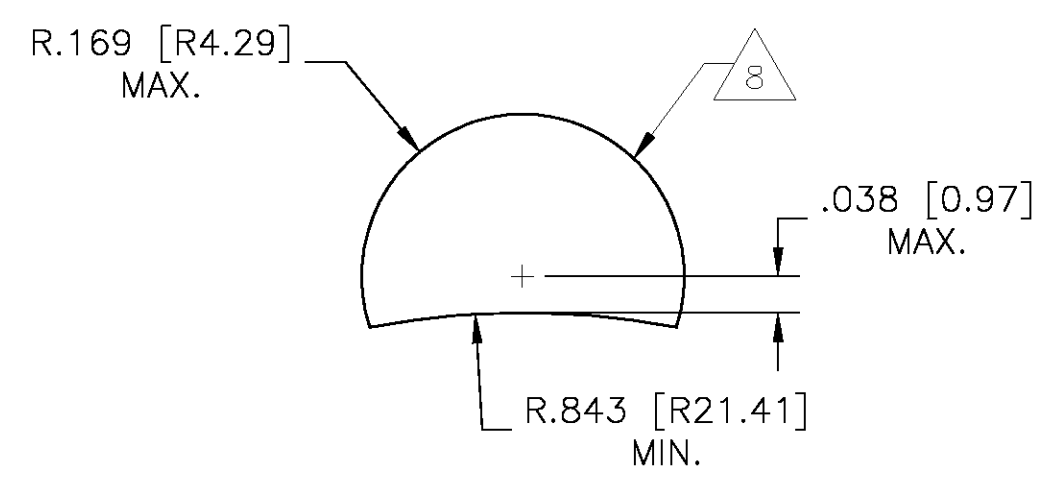
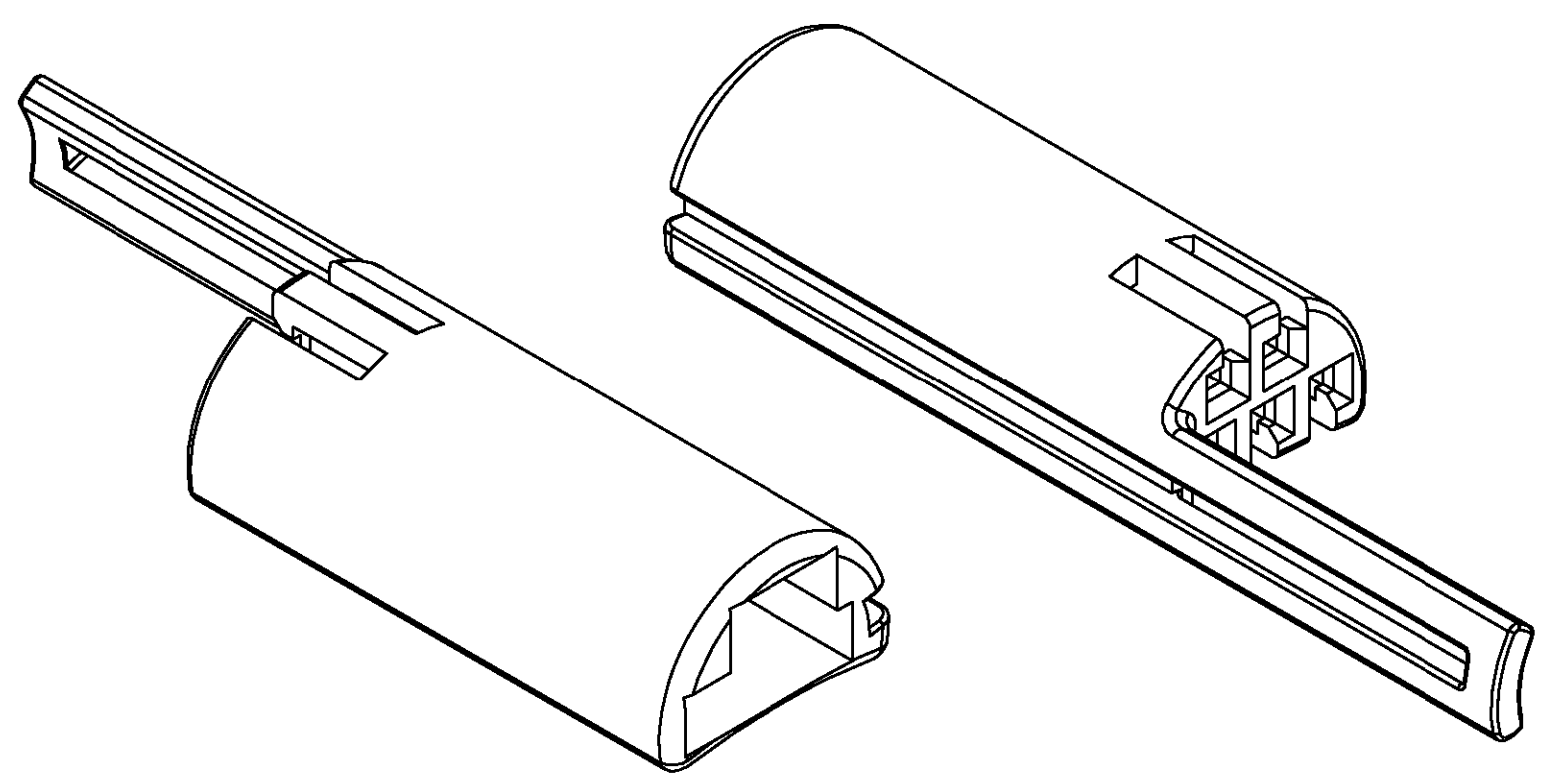
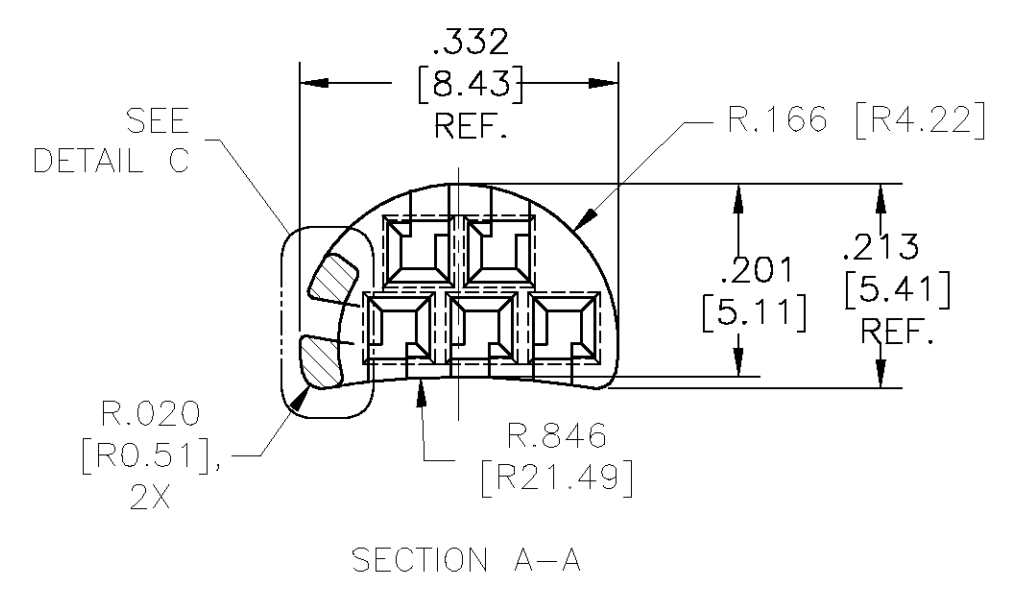
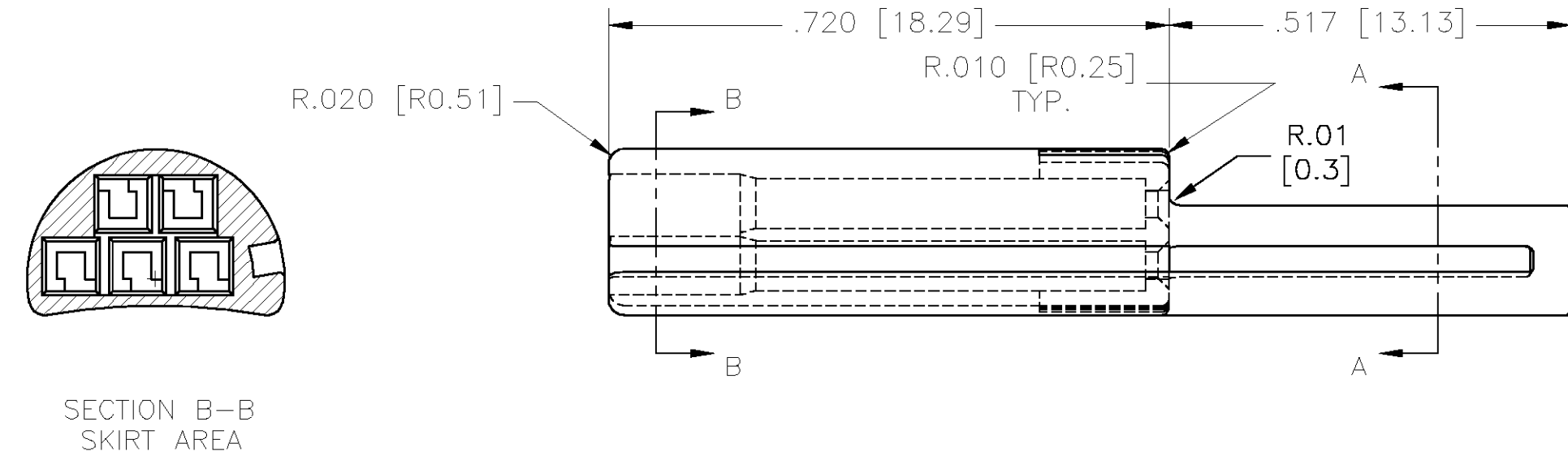
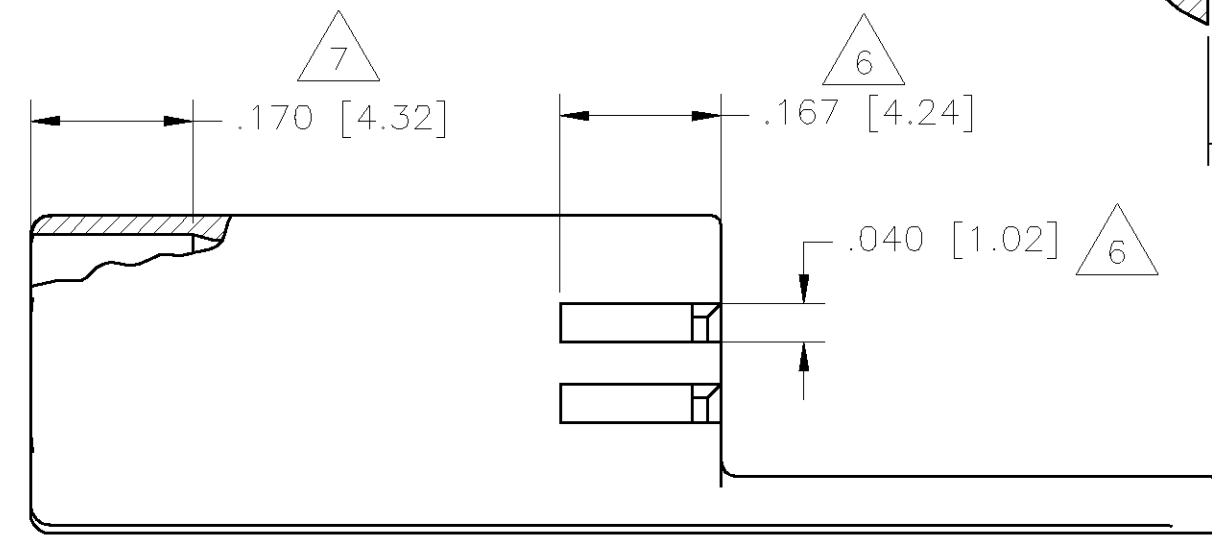
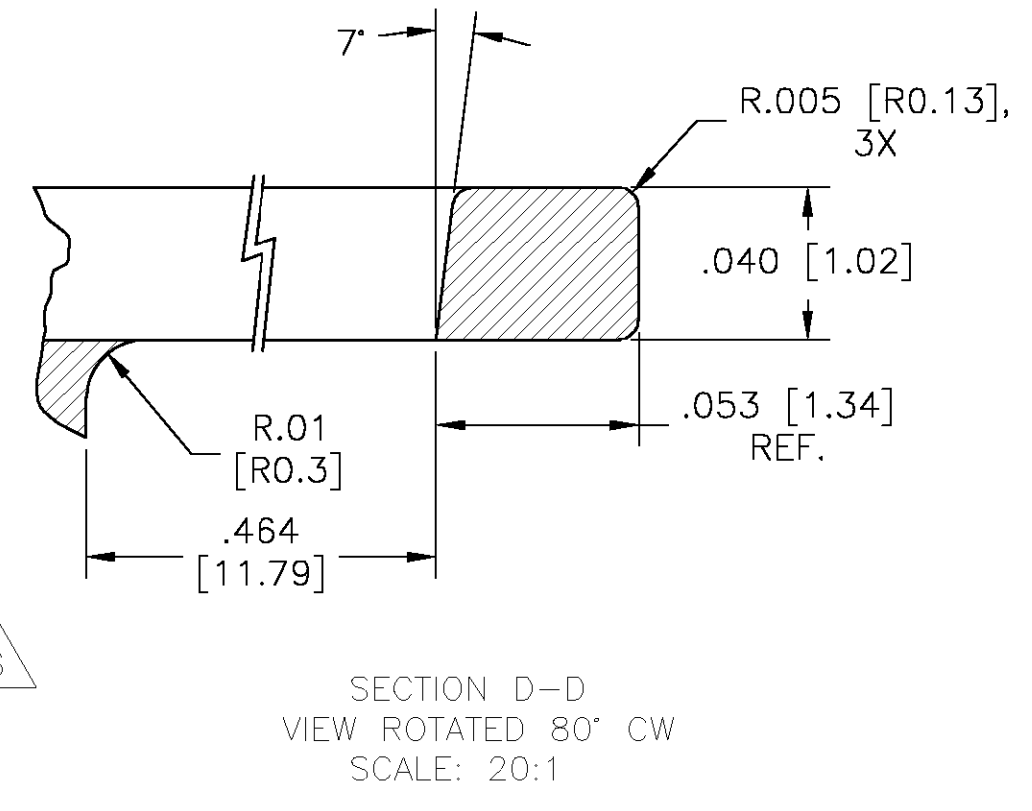
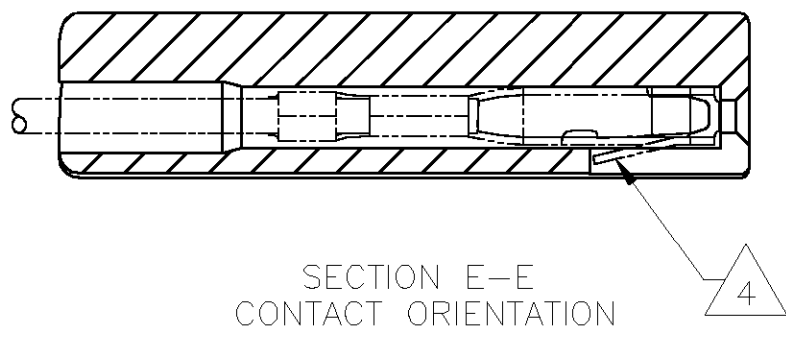
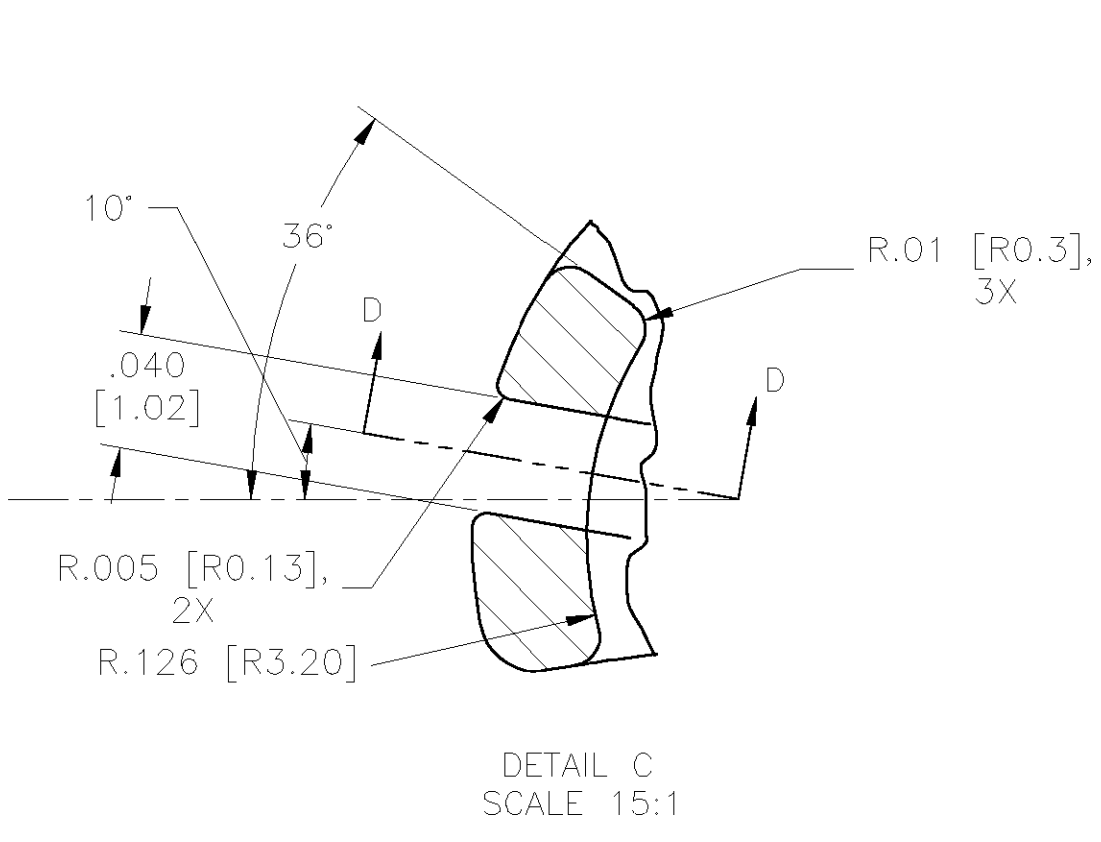


THIS DRAWING IS UNPUBLISHED. RELEASED FOR PUBLICATION
 © COPYRIGHT BY TYCO ELECTRONICS CORPORATION. ALL RIGHTS RESERVED.

LOC		DIST		REVISIONS			
P	LTR	DESCRIPTION	DATE	DM	APVD		
B		REV. PER E.C. LC00-0070-02	13AUG02	DM	DGA		

DRAWING SCALE APPLIES ONLY WHEN
 DRAWING IS PRINTED TO THE FORMAT
 SIZE SHOWN IN THE TITLE BLOCK.

- 1 MATERIAL: PBT, COLOR: NATURAL.
- 2 HOUSING ACCEPTS RECEPTACLE CONTACT PART NUMBER 1443234-1.
- 3 MATING PIN CONTACT HOUSING PART NUMBER: 1443221-1.
- 4 CONTACTS TO BE ORIENTED WHILE INSERTING INTO THE HOUSING.
- 5 STATIC WEIGHT AT SEA LEVEL: .0012 lbf [0.530 gr].
- 6 CONTACT LOCKING LANCE CLEARANCE SLOT DIMENSIONS.
- 7 SKIRT LENGTH.
- 8 HOUSING CROSS SECTIONAL PROFILE IS RESTRICTED TO MAXIMUM DIMENSIONS AS PER CUSTOMER DRAWING, P/N: 012-199-2310-00 AT REV B.



1443220-1
PART NO.

THIS DRAWING IS A CONTROLLED DOCUMENT.		DM	DM	22OCT01	tyco Electronics	Tyco Electronics Canada Ltd Markham, Ontario	
DIMENSIONS: INCHES [mm]		CHK	M.SAYMAN	30JAN02		NAME	HOUSING, RECEPTACLE CONTACT, HYDRO-PHONE
TOLERANCES UNLESS OTHERWISE SPECIFIED:		APVD	D.G.ALLEN	30JAN02	PRODUCT SPEC	SIZE	A2
0 PLC	± -	APPLICATION SPEC			CAGE CODE	00779	DRAWING NO
1 PLC	± -	WEIGHT	5		RESTRICTED TO	-	
2 PLC	± .01 [0.3]	CUSTOMER DRAWING			SCALE	5:1	
3 PLC	± .003 [0.08]	FINISH	N/A		SHEET	1 OF 1	
4 PLC	± -				REV	B	
ANGLES	± 0.5°						
MATERIAL	1						

X-ON Electronics

Largest Supplier of Electrical and Electronic Components

Click to view similar products for [Heavy Duty Power Connectors](#) category:

Click to view products by [TE Connectivity](#) manufacturer:

Other Similar products are found below :

[1424439](#) [1424438](#) [09330062652](#) [2-8675P1](#) [605601-1](#) [6340G1](#) [6341G1](#) [6360G1](#) [6373G1](#) [6374g2](#) [6396G1](#) [647757-1](#) [66394-4](#) [6643411-1](#)
[6646058-2](#) [6646137-1](#) [6646138-1](#) [6646348-1](#) [6646479-1](#) [6646608-1](#) [6646786-1](#) [6646940-1](#) [6651091-1](#) [6651525-1](#) [6651529-1](#) [6651778-1](#)
[6651788-1](#) [696465-1](#) [696475-1](#) [73000005059](#) [73000005349](#) [73000005642](#) [73080255059](#) [73080965046](#) [765-15-0080A](#) [765-16-0080B](#)
[789.700-44](#) [789.700-54](#) [80-1010](#) [80-9](#) [827381-1](#) [829992-1](#) [902-77-02113](#) [PL00U-301-10D10](#) [PM103MOOLOO](#) [PM16S1620S32-50](#)
[PM212MOOLOO](#) [PM309FOOLOO](#) [PM324FOOLCH](#) [PMHPAF11S03](#)