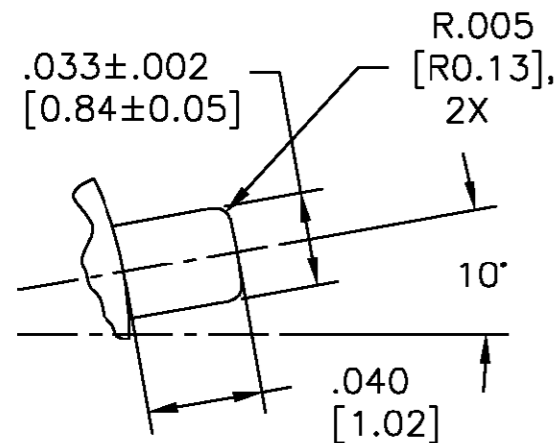


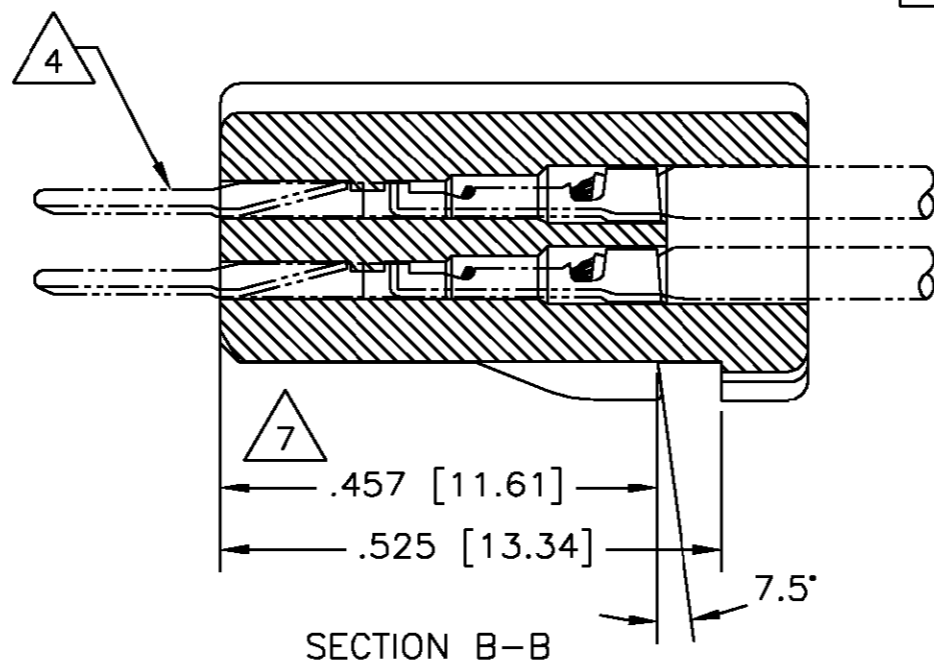
THIS DRAWING IS UNPUBLISHED. RELEASED FOR PUBLICATION
 © COPYRIGHT BY TYCO ELECTRONICS CORPORATION. ALL RIGHTS RESERVED.

LOC	DIST	REVISIONS				
P	LTR	DESCRIPTION	DATE	DWN	APVD	
BG	1					
	B	REV PER E.C. LC00-0071-02	13AUG02	DM	DGA	

DRAWING SCALE APPLIES ONLY WHEN
 DRAWING IS PRINTED TO THE FORMAT
 SIZE SHOWN IN THE TITLE BLOCK.

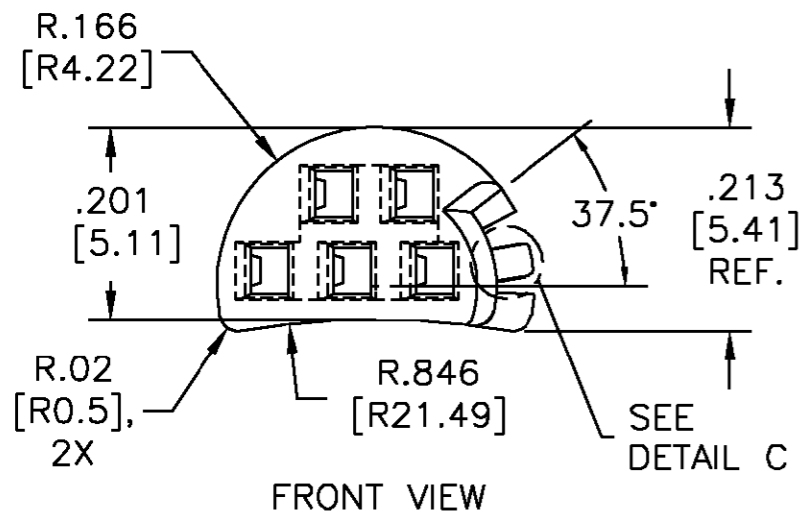


DETAIL C
 SCALE: 15:1

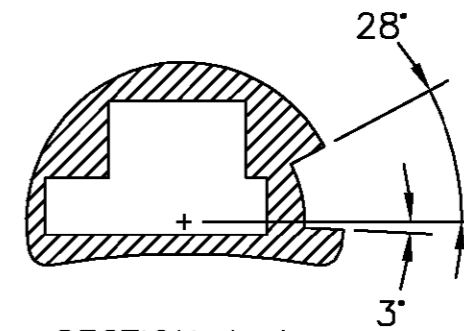
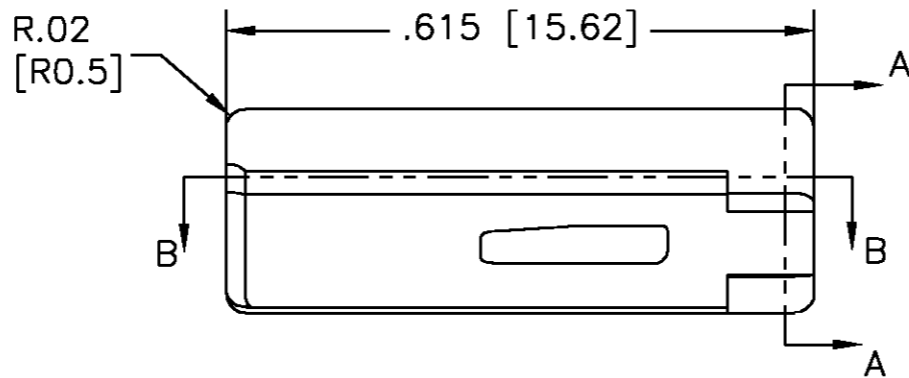


SECTION B-B

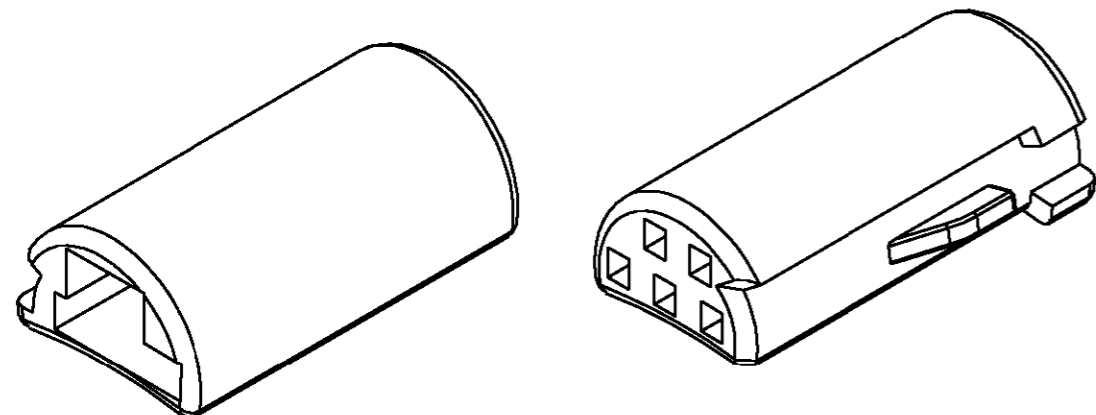
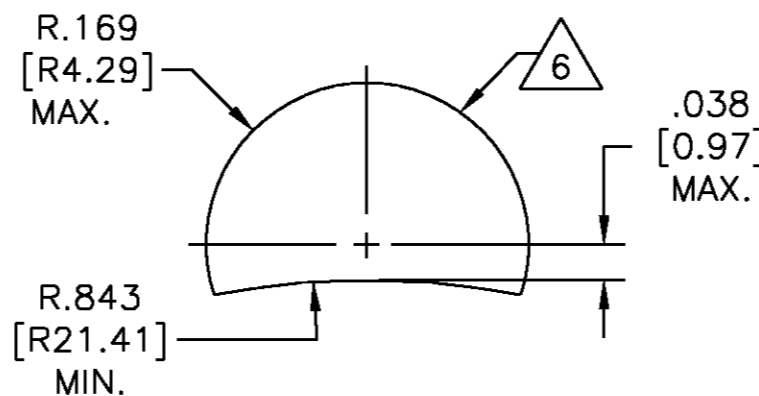
- 1 MATERIAL: PBT, COLOR: NATURAL.
- 2. HOUSING ACCEPTS PIN CONTACT PART NUMBER 530750-6.
- 3. MATING RECEPTACLE CONTACT HOUSING PART NUMBER: 1443220-1.
- 4 CONTACTS TO BE ORIENTED WHILE INSERTING INTO HOUSING.
- 5 STATIC WEIGHT AT SEA LEVEL: 0.512 gr [.0011 lbf].
- 6 HOUSING CROSS SECTIONAL PROFILE IS RESTRICTED TO MAXIMUM DIMENSIONS AS PER CUSTOMER DRAWING, P/N: 012-199-2310-00 AT REV B.
- 7 DIMENSIONED TO THE BASE OF THE SNAP FEATURE.



FRONT VIEW



SECTION A-A



1443221-1
 PART NO.

THIS DRAWING IS A CONTROLLED DOCUMENT.		DWN DM	13AUG01	tyco Tyco Electronics Canada Ltd	
		CHK M.SAYMAN	30JAN02	Electronics Markham, Ontario	
DIMENSIONS: INCHES [mm]		APVD D.G.ALLEN	30JAN02	NAME	
TOLERANCES UNLESS OTHERWISE SPECIFIED:		PRODUCT SPEC		HOUSING, BOX PIN CONTACT, HYDRO-PHONE	
0 PLC ± -		APPLICATION SPEC		SIZE	RESTRICTED TO
1 PLC ± -				A3	
2 PLC ± .01 [0.3]		WEIGHT	△5	CAGE CODE	
3 PLC ± .003 [0.08]				00779	
4 PLC ± -				DRAWING NO	
ANGLES ± 0.5°				C=1443221	
MATERIAL	FINISH	CUSTOMER DRAWING		SCALE	SHEET
△1	N/A			5:1	1 OF 1
				REV	B

X-ON Electronics

Largest Supplier of Electrical and Electronic Components

Click to view similar products for te connectivity manufacturer:

Other Similar products are found below :

[570416-000](#) [CLTEQ-M81CE-SSRELAY-4-20V](#) [4-1633138-8](#) [D38999/24FJ4AN](#) [4-1195131-0](#) [650069-000](#) [SMD100-2](#) [2EDL4CM](#)
[DTS20W19-11PD-3028](#) [DTS20W19-11PD-3028-LC](#) [DTS20W19-32SD-3028-LC](#) [DTS20W19-32SD-3028](#) [NC6-P104-06](#) [TXR64AB90-](#)
[3616AI](#) [DTS26F21-41HE](#) [DTS26F21-41AE](#) [DTS26F21-41PE-LC](#) [DTS26F21-11SE-3028-LC](#) [D38999/24WF32JE](#) [D38999/24WF32SE-LC](#)
[DTS24W19-32HE](#) [D38999/20JB35HA](#) [D38999/24WJ20PA](#) [164-8033-08](#) [D38999/24FF32JE](#) [D38999/24FF32SE-LC](#) [D38999/24WF32JB](#)
[D38999/24WG11HA](#) [D38999/24WG11HN](#) [MS27467T21F11H](#) [DJT16E21-11HA](#) [DTS24F19-32HE](#) [DTS20W19-32SA-3028-LC](#) [DTS24F19-](#)
[11SC-3028-LC](#) [DTS24F19-11SC-3028](#) [DJT14E13-98HB](#) [D38999/20WC8BB](#) [1-330599-5](#) [DTS24F21-41HN-LC](#) [DTS24F21-41HN](#)
[DTS24F21-41AN](#) [DTS24F21-39HN](#) [DTS24F21-41PN-LC](#) [AFD50-10-6SN-1A-LC](#) [DJT10F17-26HC](#) [DTS24W19-32HB](#) [ACT20JE99HA](#)
[DJT10E17-26HC](#) [DJT10E17-26HN](#) [DJT10F17-26HA](#)