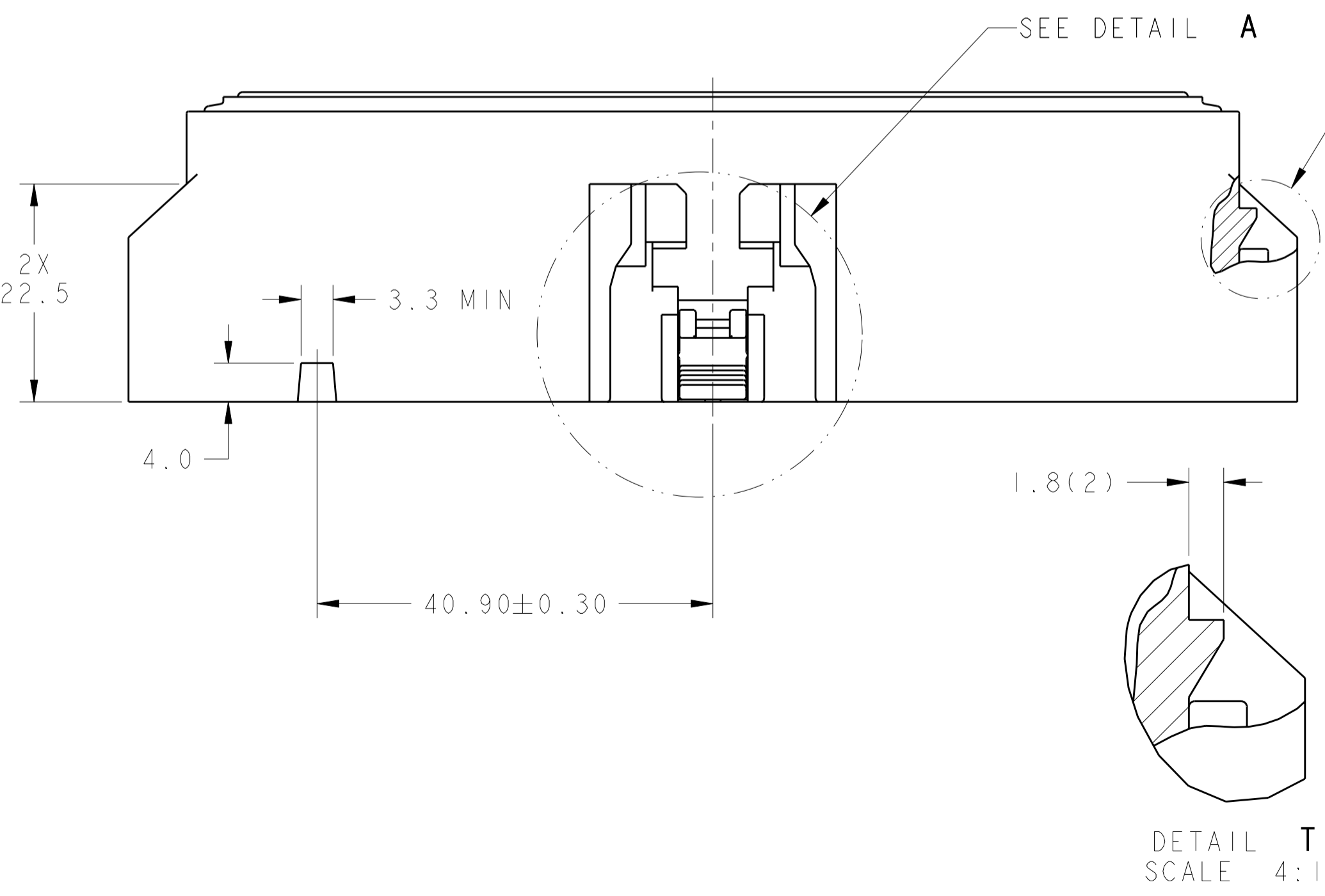
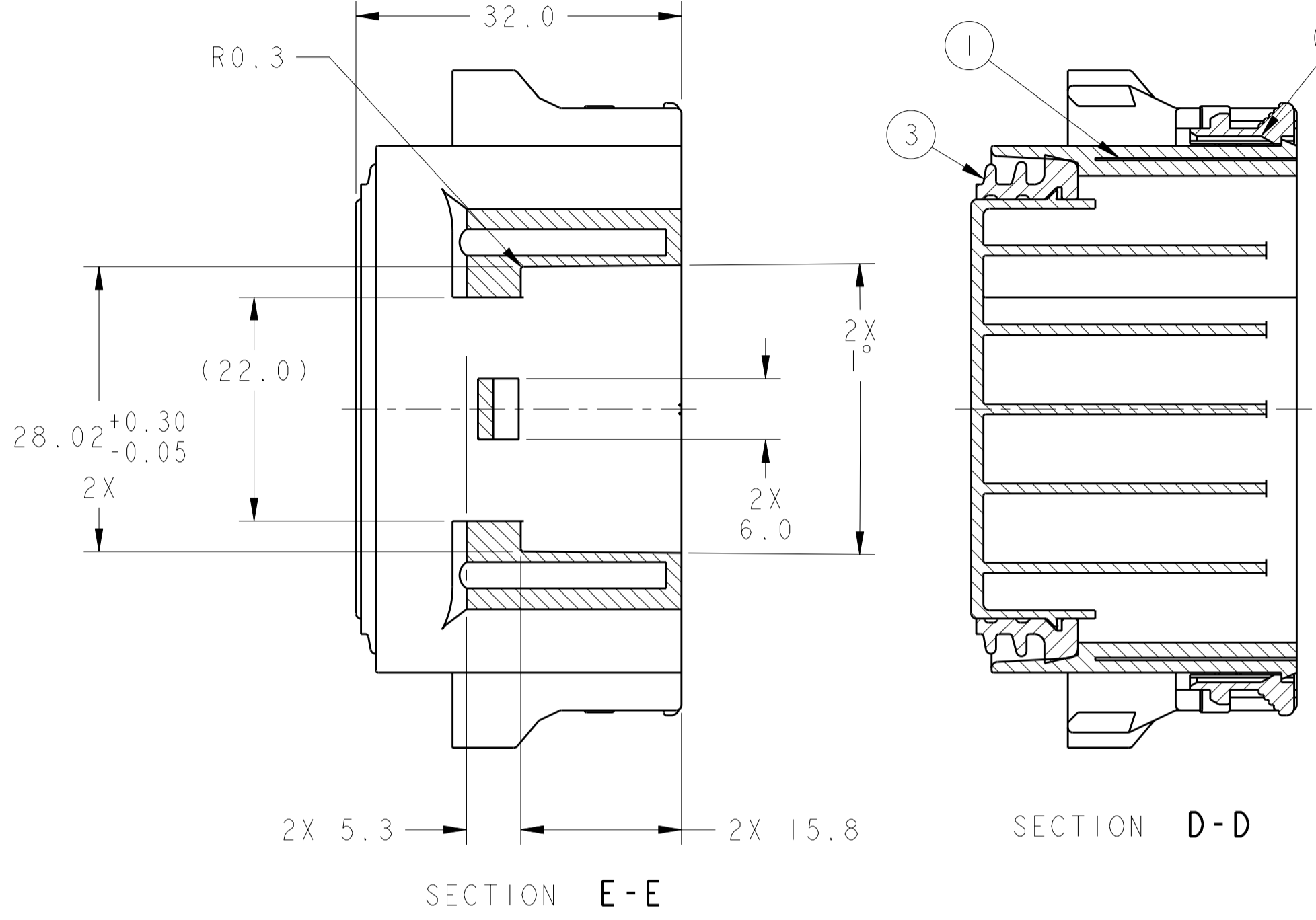
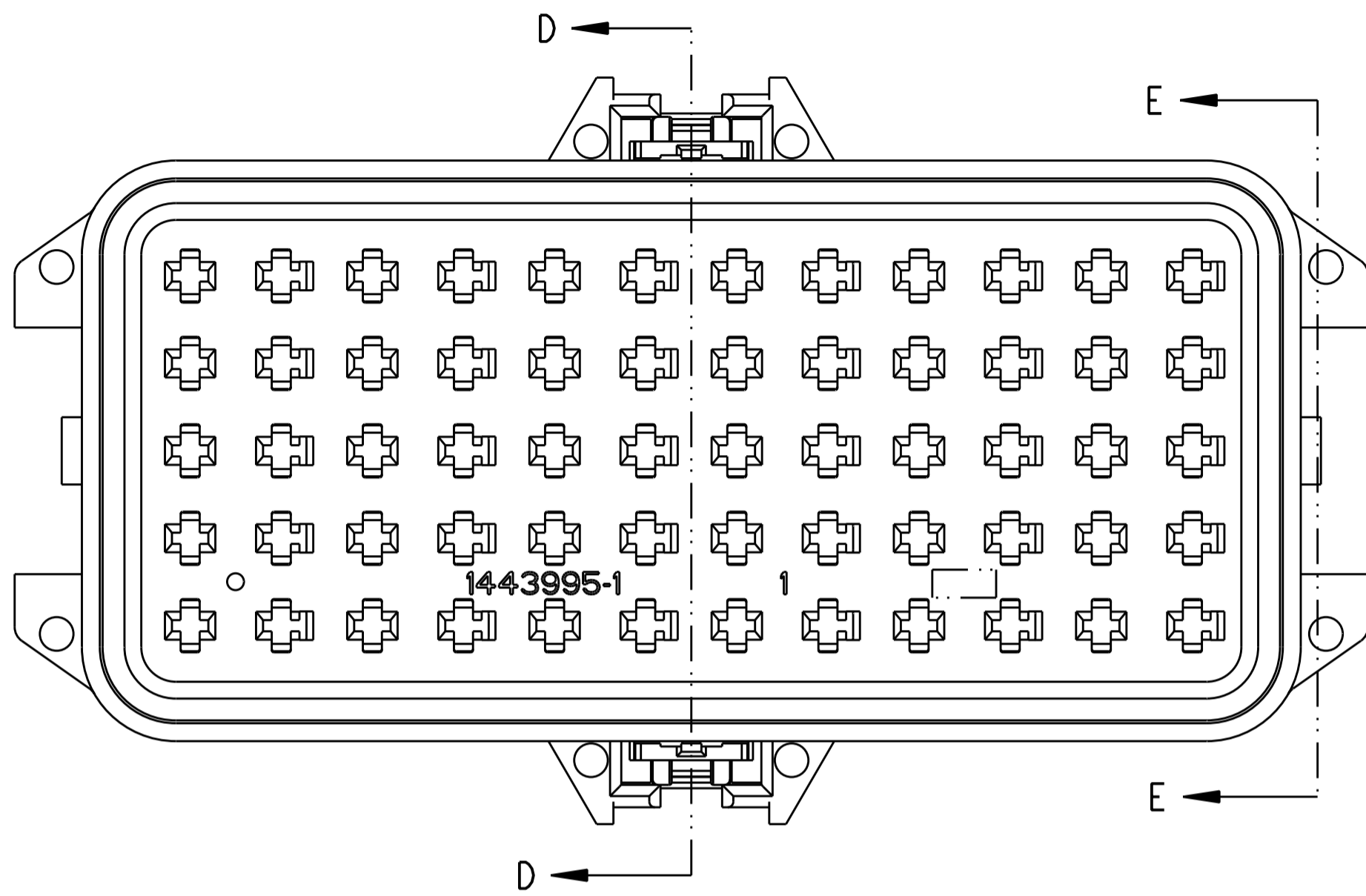


THIS DRAWING IS UNPUBLISHED. RELEASED FOR PUBLICATION 20
 © COPYRIGHT 20 BY - ALL RIGHTS RESERVED.

REVISIONS					
P	LTR	DESCRIPTION	DATE	DWN	APVD
R		REVISED PER ECO-11-024165	16NOV2011	DD	JS
RI		REVISED PER ECO-12-011154	14JUN2012	DD	JS



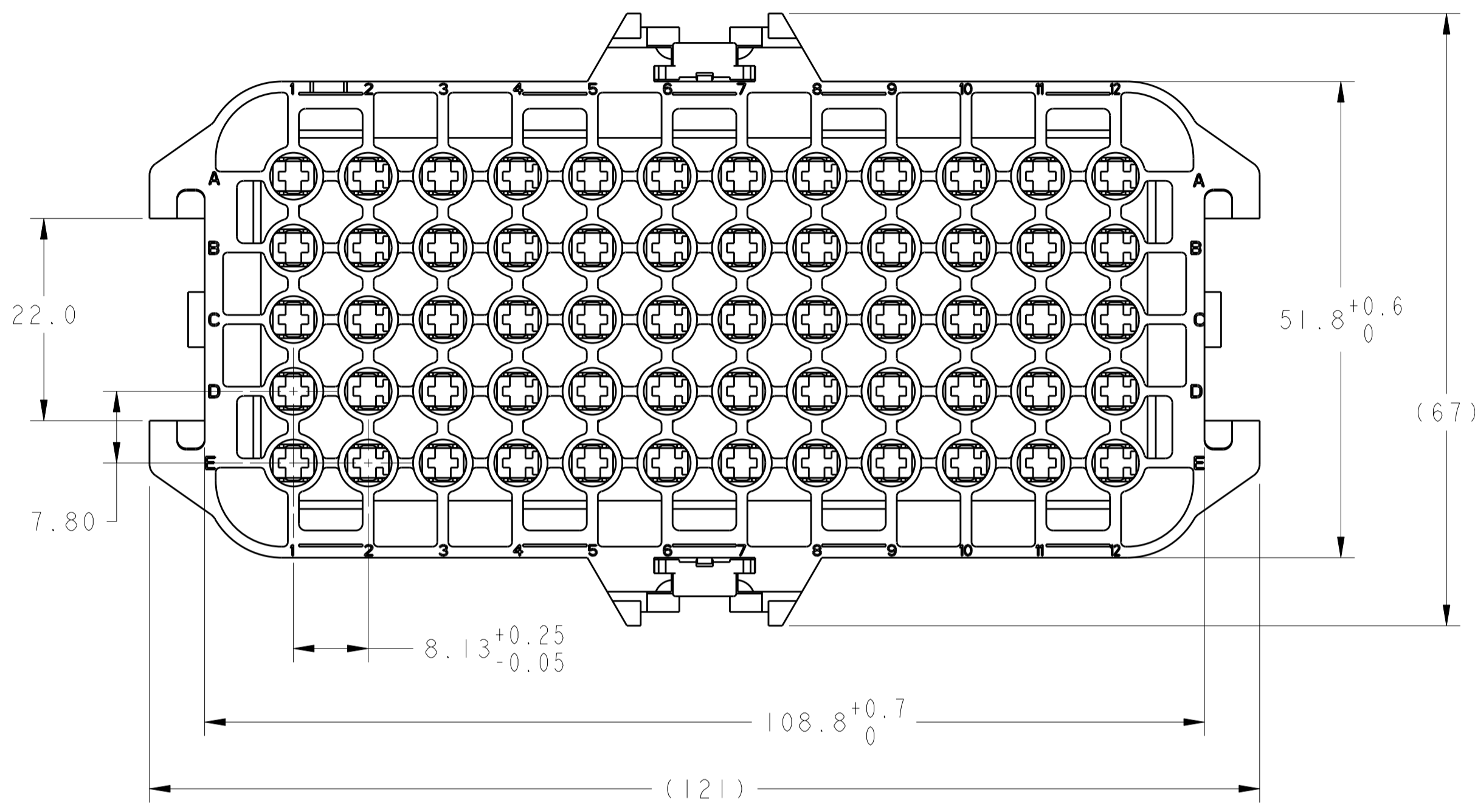
- SEE TE CONNECTIVITY CUSTOMER DRAWING 1355036 FOR TERMINAL SELECTION. MAX WIRE SIZE 14 AWG FOR SEALED WIRE APPLICATION.
- FUSE PULLER AVAILABLE- TE CONNECTIVITY PART NUMBER 1443998-1.

QTY	PART NO	DESCRIPTION	MATERIAL	ITEM NO
1	1443912-1	SEAL, 60 POSN	VMQ	3
-	776467-1	CPA	PBT-GF15, RED	2
1	1443995-1	BASE, 60 POSN	PBT-GF30, BLACK	1
-2	-1	ASSEMBLY 1443997		

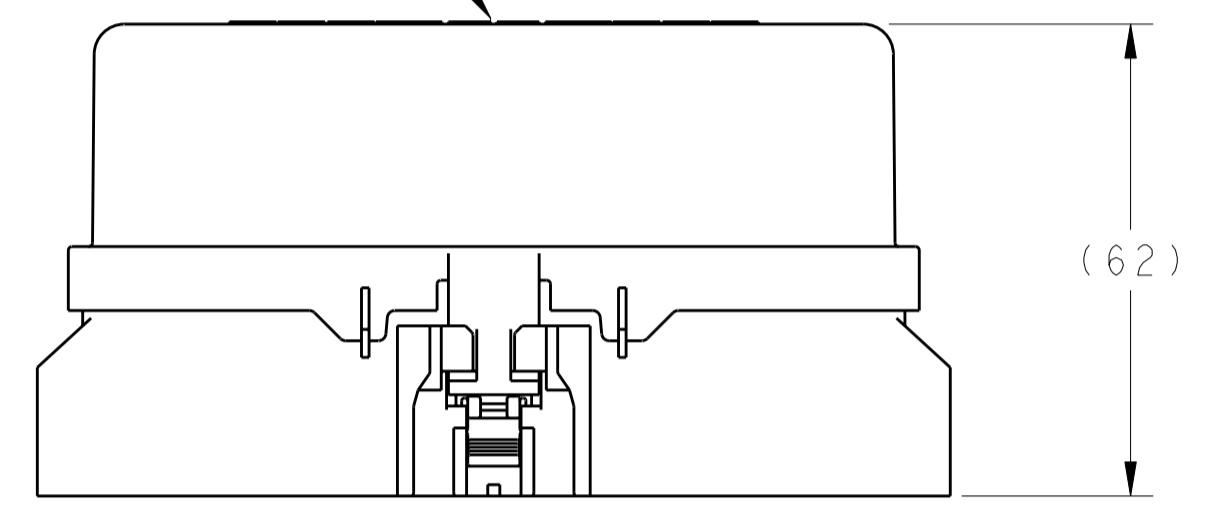
THIS DRAWING IS A CONTROLLED DOCUMENT.		DWN K. BOYD 17MAY2005	TE Connectivity NAME BASE ASSEMBLY, 60 POSITION, BBD
DIMENSIONS: mm		CHK K. BOYD 17MAY2005	
TOLERANCES UNLESS OTHERWISE SPECIFIED:		APVD R. MCCRAW 17MAY2005	
0 PLC ±1 1 PLC ±0.25 2 PLC ±0.15 3 PLC ± 4 PLC ± ANGLES ± FINISH ±		PRODUCT SPEC - APPLICATION SPEC - WEIGHT -	
MATERIAL		CUSTOMER DRAWING	SIZE A200779 CAGE CODE C-1443997 DRAWING NO SCALE 2:1 SHEET 1 OF 2 REV R1

THIS DRAWING IS UNPUBLISHED. RELEASED FOR PUBLICATION 20
 © COPYRIGHT 20 BY - ALL RIGHTS RESERVED.

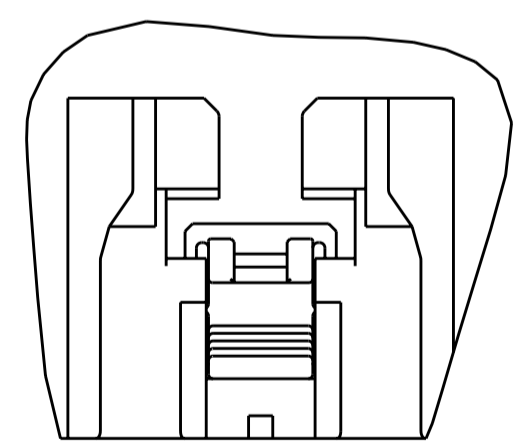
LOC	DIST	REVISIONS				
P	LTR	DESCRIPTION	DATE	DWN	APVD	
HK	00	-	SEE SHEET 1	-	-	



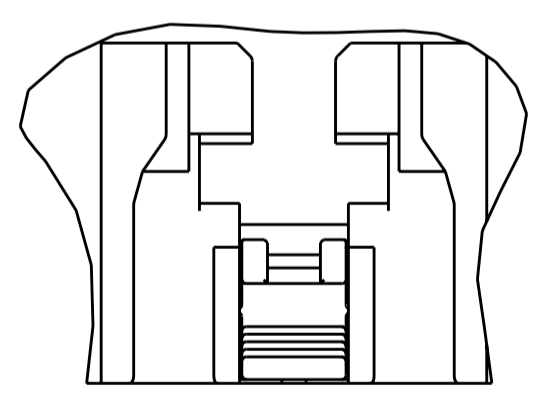
COVER, 60 POSITION
 SEE TE CONNECTIVITY
 CUSTOMER DRAWING
 1443996



VIEW FOR REFERENCE ONLY
 (COVER NOT INCLUDED)
 SCALE 1:1



CPA CLOSED POSITION



CPA OPEN POSITION
 (AS SHIPPED)

APPLIES TO 1443997-1 ONLY

THIS DRAWING IS A CONTROLLED DOCUMENT.		DWN K. BOYD 17MAY2005	TE Connectivity	
DIMENSIONS: mm		CHK K. BOYD 17MAY2005		
TOLERANCES UNLESS OTHERWISE SPECIFIED:		APVD R. MCCRAW 17MAY2005	NAME BASE ASSEMBLY, 60 POSITION, BBD	
0 PLC ±1 1 PLC ±0.25 2 PLC ±0.15 3 PLC ± 4 PLC ± ANGLES ± FINISH		PRODUCT SPEC -	SIZE A200779	DRAWING NO C-1443997
MATERIAL -		APPLICATION SPEC -	RESTRICTED TO -	SCALE 2:1
		WEIGHT -	SHEET 2	OF 2
		CUSTOMER DRAWING	REV R1	

X-ON Electronics

Largest Supplier of Electrical and Electronic Components

Click to view similar products for [Automotive Connectors](#) category:

Click to view products by [TE Connectivity](#) manufacturer:

Other Similar products are found below :

[003-018-000](#) [60403001](#) [60993906-B](#) [M902-2131](#) [M902-2161](#) [72.330.1035.1](#) [73.353.4028.0](#) [F119300-B](#) [F166900](#) [F258300-B](#) [F358300-B](#)
[F407400](#) [F444110](#) [F487000](#) [F509500B-B](#) [827153-1](#) [8N1515-32-24P](#) [9-1326729-8](#) [925474-1](#) [928905-1](#) [964562-4](#) [968782-1](#) [GT17SA-8DS-](#)
[HU](#) [98891-1012](#) [98947-1016](#) [12004147](#) [12004475-L](#) [12010290](#) [12010309-B](#) [12015454](#) [12020219-B](#) [12020308](#) [12041318-B](#) [12052225-L](#)
[12052466](#) [12059125](#) [12064869](#) [12004327-B](#) [12010503-B](#) [12015308](#) [12015384](#) [12015909](#) [1-21030-1](#) [12041254](#) [12041318](#) [12047946-B](#)
[12047957](#) [12047957-L](#) [12059473](#) [12066261](#)