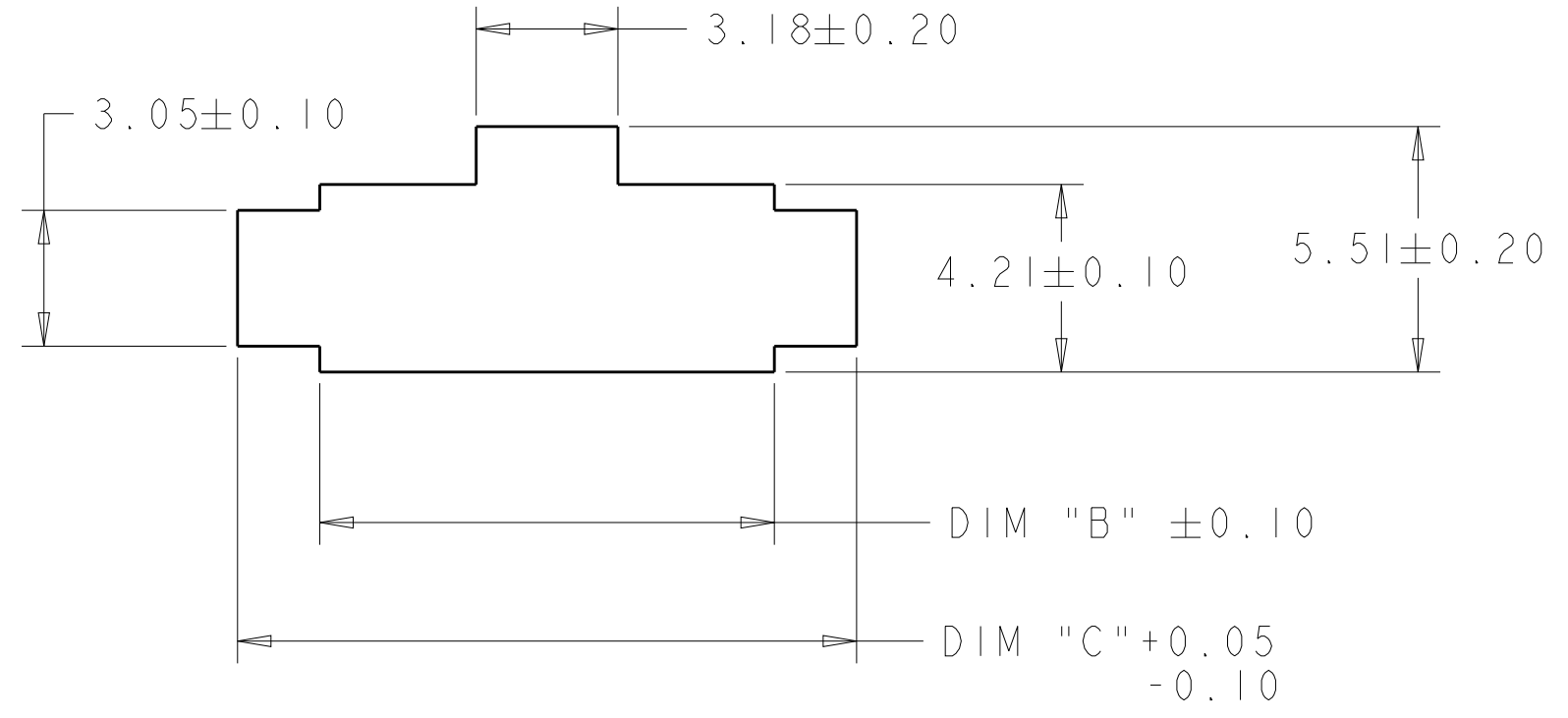
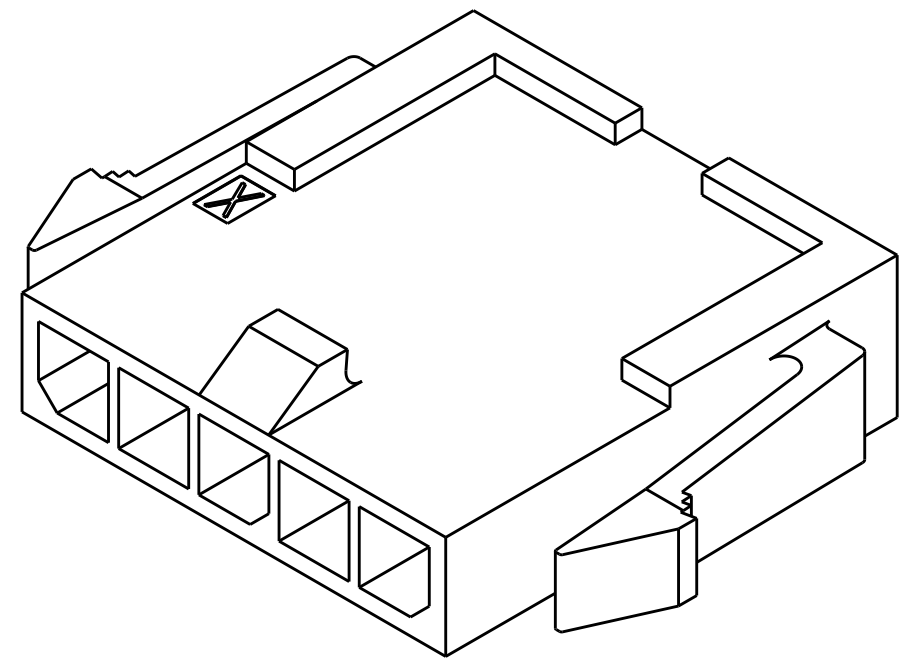
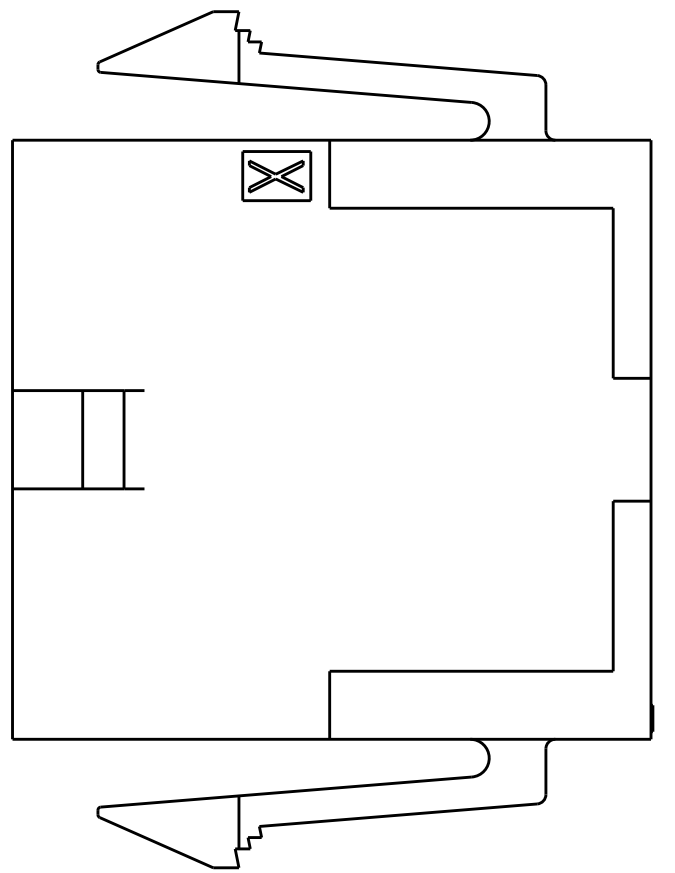


THIS DRAWING IS UNPUBLISHED. RELEASED FOR PUBLICATION 20
 © COPYRIGHT 20 ALL RIGHTS RESERVED.

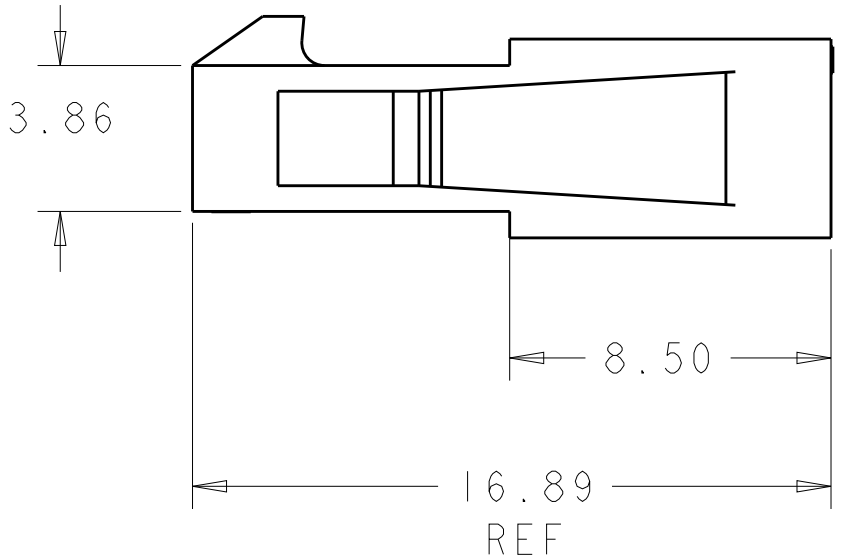
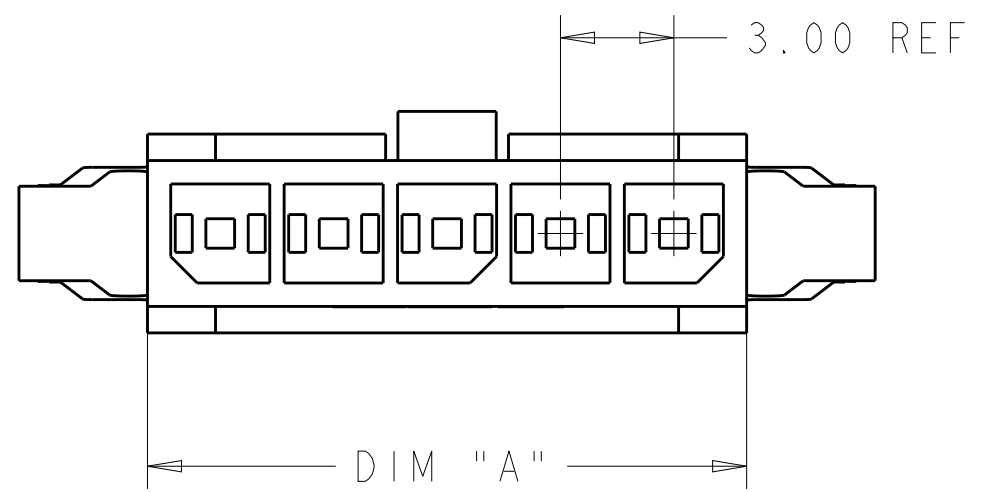
REVISIONS					
P	LTR	DESCRIPTION	DATE	DWN	APVD
P2		REVISED PER ECR-16-013672	14OCT2016	BW	SC
P3		REVISED PER ECR-17-013562	14SEP2017	JB	DZ
P4		REVISED PER ECR-18-004185	15MAY2018	JB	DZ



PANEL CUT-OUT $\triangle 1$



SCALE 5:1



- $\triangle 1$ RECOMMENDED PANEL THICKNESS 1.57-2.3.
- 2. PANEL MUST BE PUNCHED SO THAT HOUSING ENTERS THE PANEL IN THE SAME DIRECTION AS THE PUNCH.
- $\triangle 3$ MATERIAL PA66/6 UL94-V0 , COLOR-BLACK.
- $\triangle 4$ PRELIMINARY MATERIAL PA66 UL94-V0, GW , COLOR-NATURAL.

OBSOLETE	16.88	13.20	12.85	4	2-1445048-4
OBSOLETE	13.88	10.20	9.85	3	2-1445048-3
OBSOLETE	10.88	7.20	6.85	2	2-1445048-2
$\triangle 3$	40.88	37.20	36.85	12	1-1445048-2
	37.88	34.20	33.85	11	1-1445048-1
	34.88	31.20	30.85	10	1-1445048-0
	31.88	28.20	27.85	9	1445048-9
	28.88	25.20	24.85	8	1445048-8
	25.88	22.20	21.85	7	1445048-7
	22.88	19.20	18.85	6	1445048-6
	19.88	16.20	15.85	5	1445048-5
	16.88	13.20	12.85	4	1445048-4
	13.88	10.20	9.85	3	1445048-3
	10.88	7.20	6.85	2	1445048-2
REMARK	DIM C	DIM B	DIM A	NO. OF POS.	PART NUMBER

THIS DRAWING IS A CONTROLLED DOCUMENT. DWN W J RUDY 29AUG2000
 CHK W DAVIS 29AUG2000
 APVD W DAVIS 29AUG2000

STE TE Connectivity

NAME: PLUG HOUSING, 2 TO 12 POSITION SINGLE ROW, PANEL MOUNT MICRO MATE-N-LOK™

PRODUCT SPEC: 108-1836
 APPLICATION SPEC: 114-13000
 WEIGHT: -

SIZE: A2 CAGE CODE: 00779 DRAWING NO: C-1445048 RESTRICTED TO: -
 SCALE: 6:1 SHEET: 1 OF 1 REV: P4

CUSTOMER DRAWING

X-ON Electronics

Largest Supplier of Electrical and Electronic Components

Click to view similar products for [Pin & Socket Connectors](#) category:

Click to view products by [TE Connectivity](#) manufacturer:

Other Similar products are found below :

[6450822-1](#) [770392-1](#) [794042-1](#) [796885-1](#) [8-794535-1](#) [PLR3455ACS-222](#) [R929991004](#) [R929993003](#) [1403611-1](#) [1-480349-5](#) [152302-5](#)
[153211-2](#) [1586092-1](#) [1586129-1](#) [1586681-4](#) [1586700-1](#) [1586368-1](#) [1586380-1](#) [1586616-1](#) [1586680-5](#) [16-06-0038](#) [164164-5](#) [1-6609930-1](#)
[172296-1](#) [19-09-2035](#) [200503-1](#) [200788-2](#) [2029090-4](#) [2029095-4](#) [925061-7](#) [293734-4](#) [293737-2](#) [1-765362-4](#) [1871534-1](#) [200833-4](#)
[2008625-2](#) [2029027-2](#) [2029096-4](#) [R929991000](#) [R929991002](#) [R929993000](#) [319-10-101-00-005000](#) [319-10-102-00-001000](#) [319-10-104-00-001000](#) [319-10-105-00-001000](#) [319-10-108-00-001000](#) [319-10-112-00-006000](#) [39-01-8019](#) [319-10-101-00-001000](#) [319-10-102-00-005000](#)