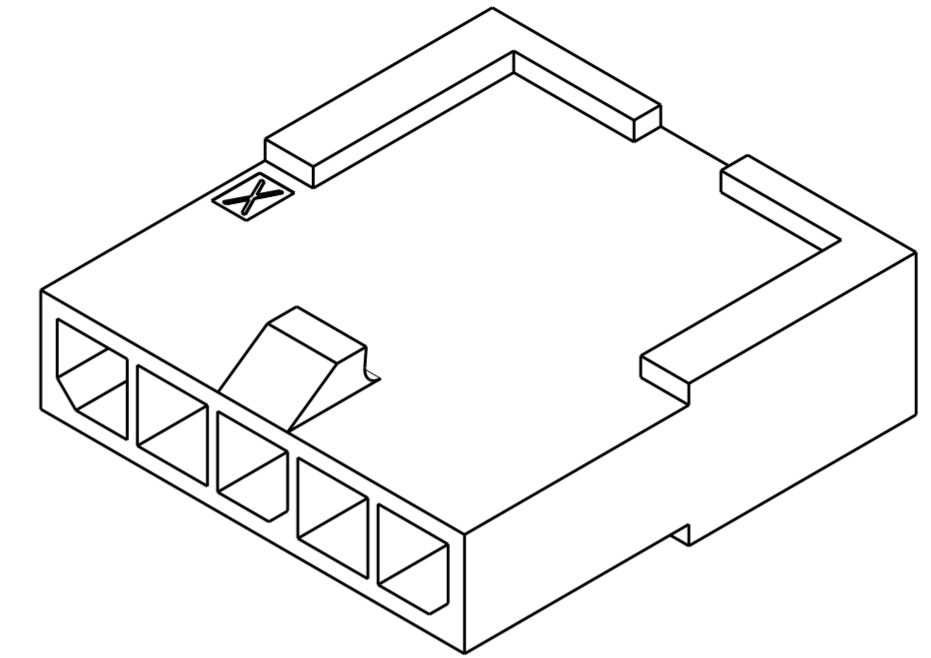
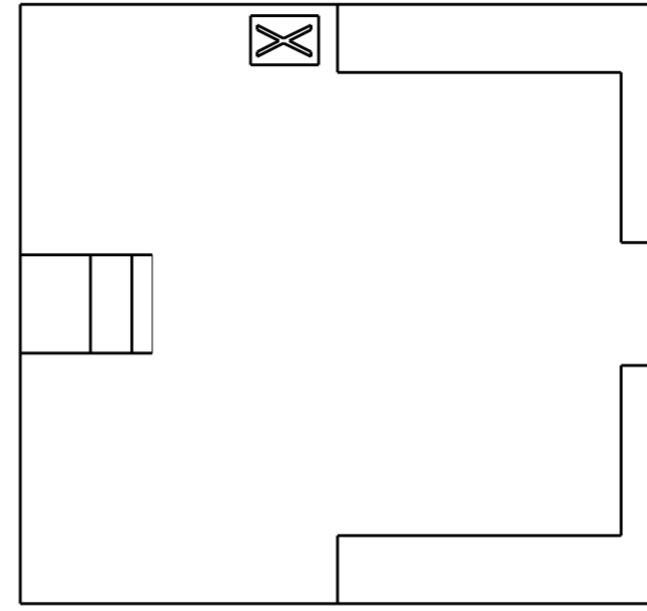


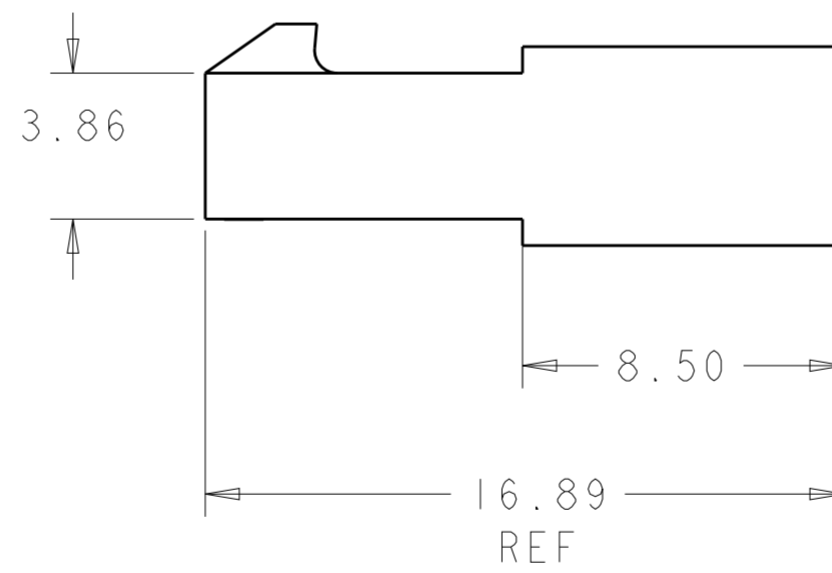
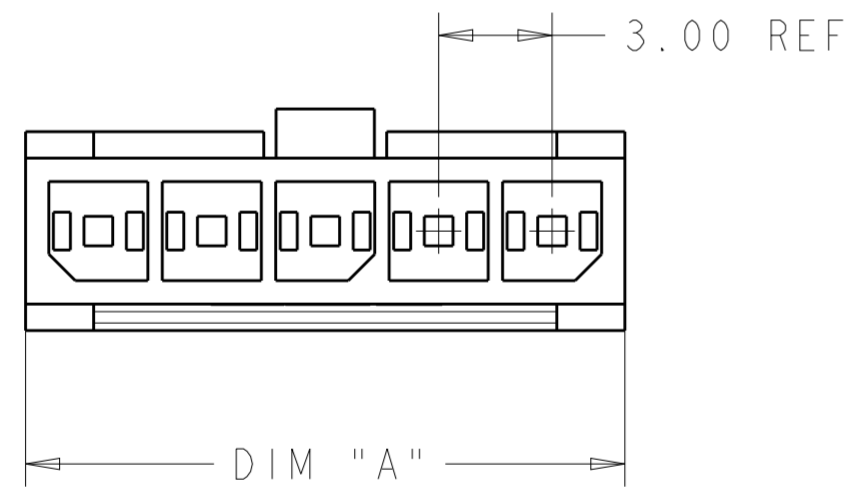
THIS DRAWING IS UNPUBLISHED. RELEASED FOR PUBLICATION 20  
 © COPYRIGHT 20 ALL RIGHTS RESERVED.

LOC	DIST	REVISIONS					
CM	00	P	LTR	DESCRIPTION	DATE	DWN	APVD
		P2		REVISED PER ECR-16-013672	14OCT2016	BW	SC
		P3		REVISED PER ECR-18-004185	15MAY2018	JB	DZ

- ① MATERIAL PA66/6, UL94-V0 , COLOR - BLACK
- ② PRELIMINARY MATERIAL PA66 V0 GW UL94.



SCALE 5:1



OBSOLETE	<del>12.85</del>	<del>4</del>	<del>2-1445049-4</del>
OBSOLETE	<del>9.85</del>	<del>3</del>	<del>2-1445049-3</del>
OBSOLETE	<del>6.85</del>	<del>2</del>	<del>2-1445049-2</del>
①	36.85	12	1-1445049-2
	33.85	11	1-1445049-1
	30.85	10	1-1445049-0
	27.85	9	1445049-9
	24.85	8	1445049-8
	21.85	7	1445049-7
	18.85	6	1445049-6
	15.85	5	1445049-5
	12.85	4	1445049-4
	9.85	3	1445049-3
6.85	2	1445049-2	
REMARK	DIM A	NO. OF POS.	PART NUMBER

THIS DRAWING IS A CONTROLLED DOCUMENT.		DWN W J RUDY 29AUG2000	TE Connectivity
DIMENSIONS: mm		CHK W DAVIS 29AUG2000	
TOLERANCES UNLESS OTHERWISE SPECIFIED:		APVD W DAVIS 29AUG2000	
0 PLC ± 1 PLC ± 2 PLC ±0.13 3 PLC ± 4 PLC ± ANGLES ± FINISH ±		PRODUCT SPEC 108-1836 APPLICATION SPEC 114-13000 WEIGHT -	
MATERIAL SEE NOTES		CUSTOMER DRAWING	NAME PLUG HOUSING, 2 TO 12 POSITION, SINGLE ROW, FREE HANGING, MICRO MATE-N-LOK™ SIZE CAGE CODE DRAWING NO RESTRICTED TO A200779 C-1445049 SCALE 5:1 SHEET 1 OF 1 REV P3

## X-ON Electronics

Largest Supplier of Electrical and Electronic Components

*Click to view similar products for [Pin & Socket Connectors](#) category:*

*Click to view products by [TE Connectivity](#) manufacturer:*

Other Similar products are found below :

[6450822-1](#) [770392-1](#) [794042-1](#) [796885-1](#) [8-794535-1](#) [PLR3455ACS-222](#) [R929991004](#) [R929993003](#) [1403611-1](#) [1-480349-5](#) [152302-5](#)  
[153211-2](#) [1586092-1](#) [1586129-1](#) [1586681-4](#) [1586700-1](#) [1586368-1](#) [1586380-1](#) [1586616-1](#) [1586680-5](#) [16-06-0038](#) [164164-5](#) [1-6609930-1](#)  
[172296-1](#) [19-09-2035](#) [200503-1](#) [200788-2](#) [2029090-4](#) [2029095-4](#) [925061-7](#) [293734-4](#) [293737-2](#) [1-765362-4](#) [1871534-1](#) [200833-4](#)  
[2008625-2](#) [2029027-2](#) [2029096-4](#) [R929991000](#) [R929991002](#) [R929993000](#) [319-10-101-00-005000](#) [319-10-102-00-001000](#) [319-10-104-00-001000](#) [319-10-105-00-001000](#) [319-10-108-00-001000](#) [319-10-112-00-006000](#) [39-01-8019](#) [319-10-101-00-001000](#) [319-10-102-00-005000](#)