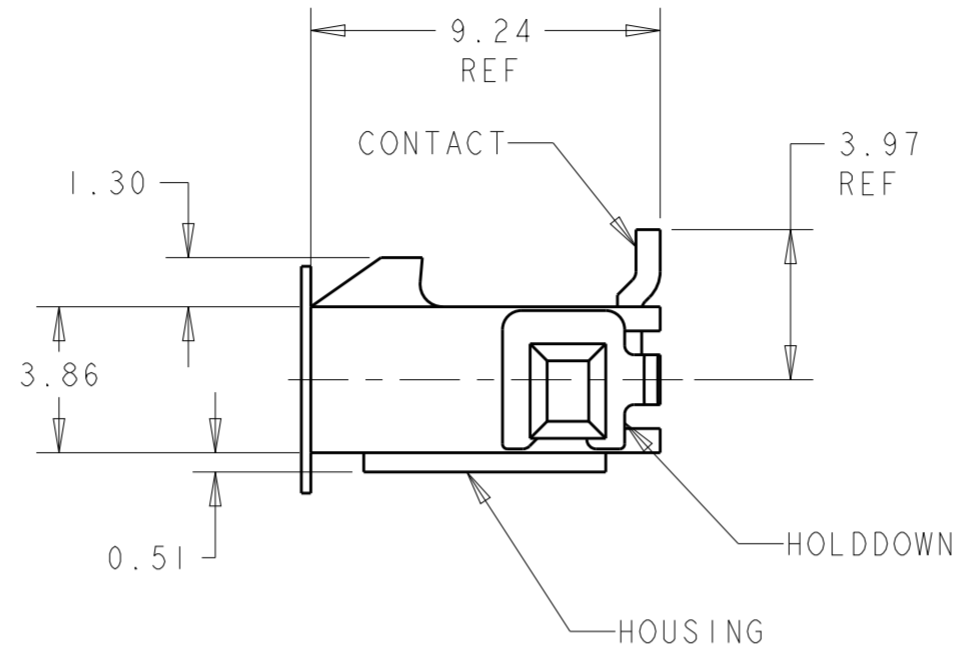
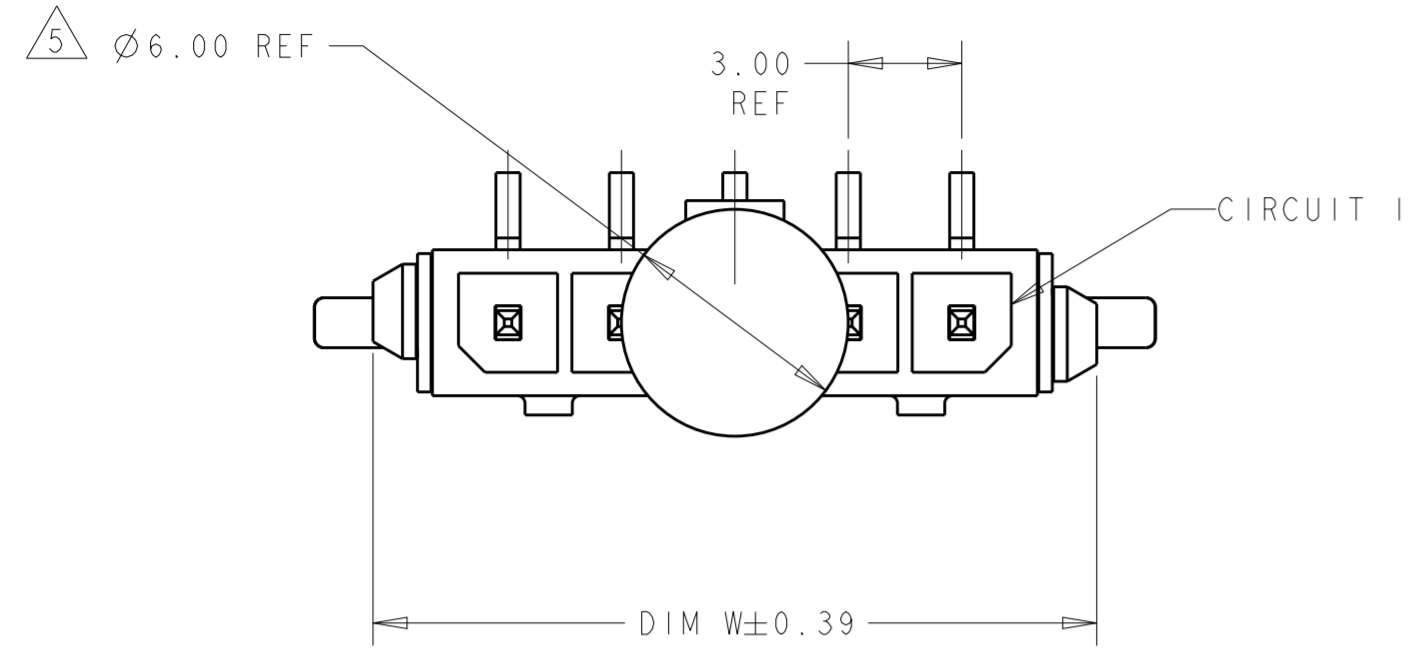
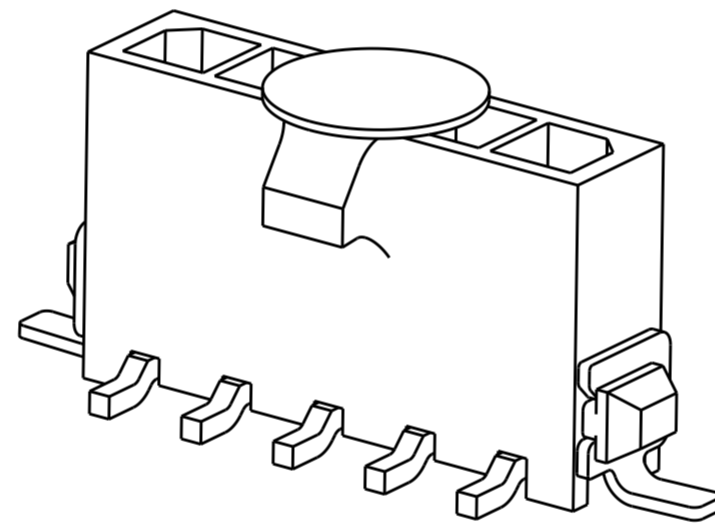
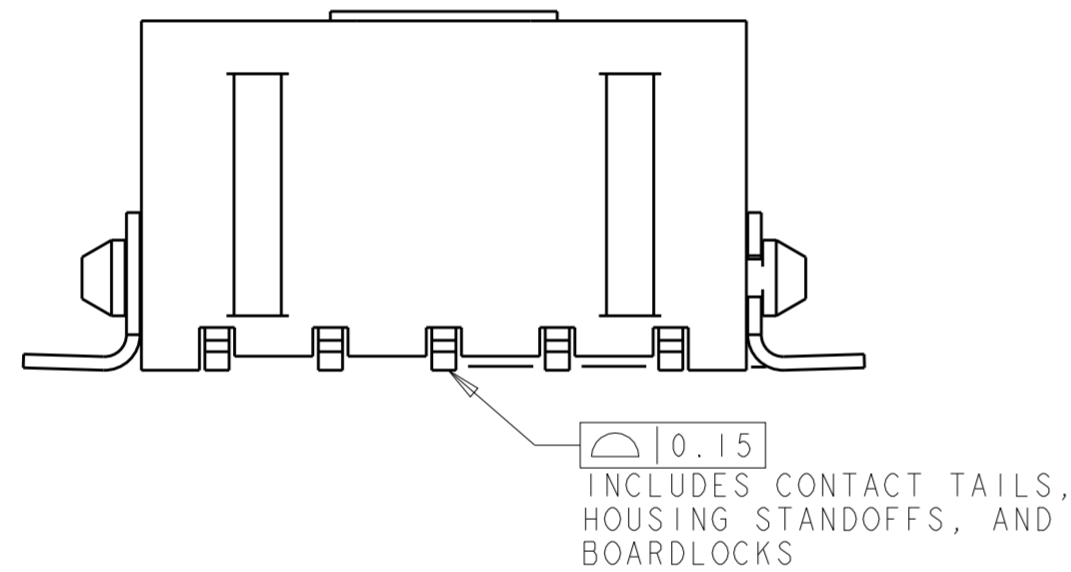


THIS DRAWING IS UNPUBLISHED. RELEASED FOR PUBLICATION 20
 © COPYRIGHT 20 BY - ALL RIGHTS RESERVED.

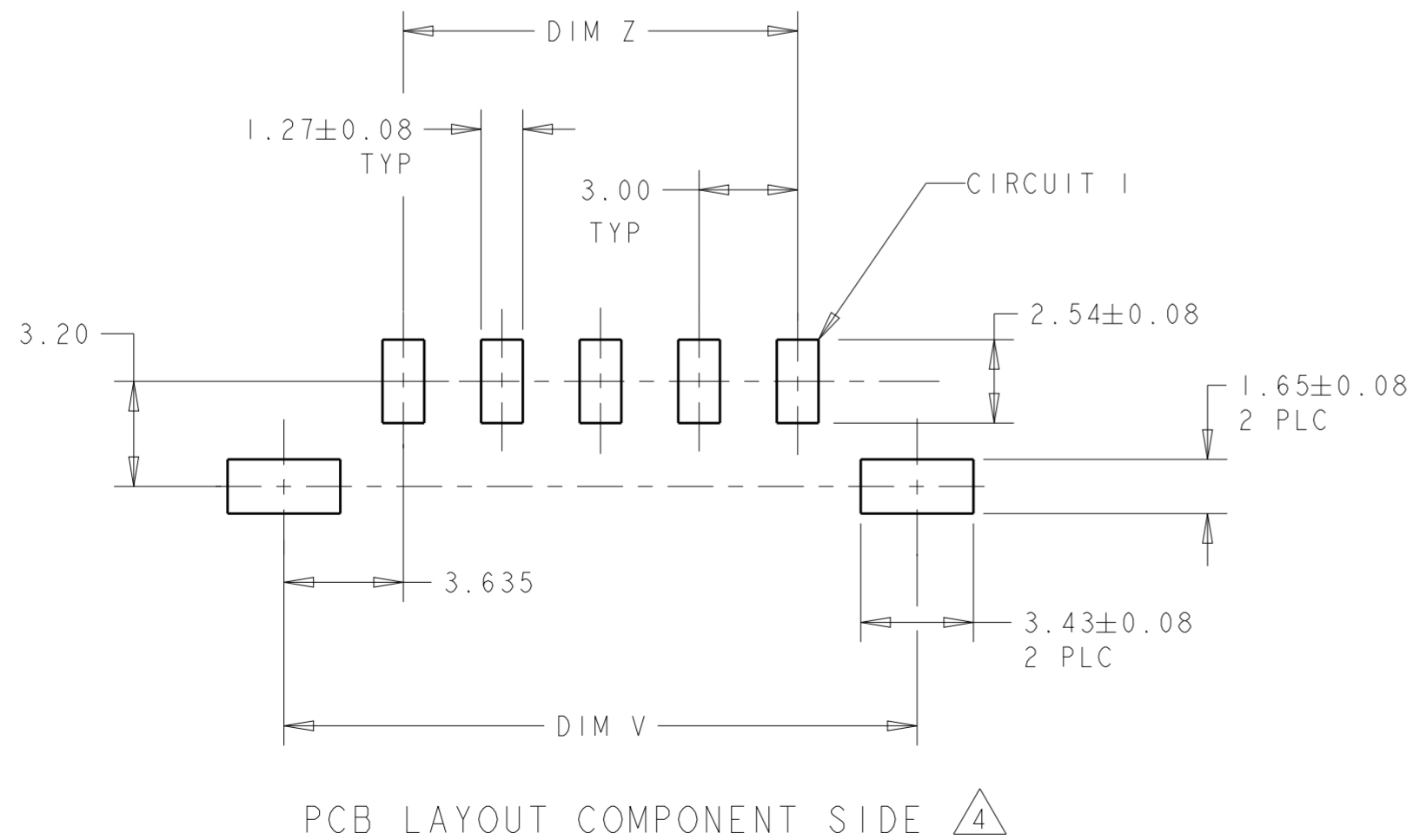
REVISIONS					
P	LTR	DESCRIPTION	DATE	DWN	APVD
C2		REVISED PER ECR-16-011494	20JUN2017	NK	CX
C3		ECO-19-006934	13MAY2019	AP	WS



- 1 MATERIAL: CONTACTS - BRASS
HOUSING - UL 94V-0 RATED HIGH TEMP NYLON, COLOR BLACK.
HOLDDOWNS: - PHOSPHOR BRONZE.
- 2 PLATING: CONTACTS - 2.54 μ m MINIMUM TIN-LEAD OVER 1.27 μ m MINIMUM NICKEL.
HOLDDOWNS: 2.54 μ m MINIMUM TIN-LEAD OVER 1.27 μ m MINIMUM NICKEL.
- 4 RECOMMENDED PC BOARD THICKNESS OF 1.57.
- 5 KAPTON VACUUM PICK UP BUTTON.
- 6 PLATING: CONTACTS - 2.54 μ m MINIMUM MATTE TIN OVER 1.27 μ m MINIMUM NICKEL.
HOLDDOWNS: 2.54 μ m MINIMUM MATTE TIN OVER 1.27 μ m MINIMUM NICKEL.



FINISH	DIM Z	DIM V	DIM W	NO. OF POSN	PART NUMBER	
6	33.00	40.41	40.00	12	3-1445053-2	
6	30.00	37.41	37.00	11	3-1445053-1	
6	27.00	34.41	34.00	10	3-1445053-0	
6	24.00	31.41	31.00	9	2-1445053-9	
6	21.00	28.41	28.00	8	2-1445053-8	
6	18.00	25.41	25.00	7	2-1445053-7	
6	15.00	22.41	22.00	6	2-1445053-6	
6	12.00	19.41	19.00	5	2-1445053-5	
6	9.00	16.41	16.00	4	2-1445053-4	
6	6.00	13.41	13.00	3	2-1445053-3	
6	3.00	10.41	10.00	2	2-1445053-2	
SUPERSEDED BY 3-1445053-2	2	33.00	40.41	40.00	12	1-1445053-2
SUPERSEDED BY 3-1445053-1	2	30.00	37.41	37.00	11	1-1445053-1
SUPERSEDED BY 3-1445053-0	2	27.00	34.41	34.00	10	1-1445053-0
SUPERSEDED BY 2-1445053-9	2	24.00	31.41	31.00	9	1-1445053-9
SUPERSEDED BY 2-1445053-8	2	21.00	28.41	28.00	8	1-1445053-8
SUPERSEDED BY 2-1445053-7	2	18.00	25.41	25.00	7	1-1445053-7
SUPERSEDED BY 2-1445053-6	2	15.00	22.41	22.00	6	1-1445053-6
SUPERSEDED BY 2-1445053-5	2	12.00	19.41	19.00	5	1-1445053-5
SUPERSEDED BY 2-1445053-4	2	9.00	16.41	16.00	4	1-1445053-4
SUPERSEDED BY 2-1445053-3	2	6.00	13.41	13.00	3	1-1445053-3
SUPERSEDED BY 2-1445053-2	2	3.00	10.41	10.00	2	1-1445053-2



PCB LAYOUT COMPONENT SIDE 4

SUPERSEDED BY 3-1445053-2
 SUPERSEDED BY 3-1445053-1
 SUPERSEDED BY 3-1445053-0
 SUPERSEDED BY 2-1445053-9
 SUPERSEDED BY 2-1445053-8
 SUPERSEDED BY 2-1445053-7
 SUPERSEDED BY 2-1445053-6
 SUPERSEDED BY 2-1445053-5
 SUPERSEDED BY 2-1445053-4
 SUPERSEDED BY 2-1445053-3
 SUPERSEDED BY 2-1445053-2

THIS DRAWING IS A CONTROLLED DOCUMENT. DWN J. ROOT 07OCT2000
 CHK K. WHITAKER 20-FEB-2001
 APVD C. JONES 20-FEB-2001

TE Connectivity

NAME: VERTICAL SURFACE MOUNT HEADER ASSY, TIN CONTACTS, SURF MOUNT HOLDDOWNS, SINGLE ROW, MICRO MATE-N-LOK™

SIZE: A2 CAGE CODE: 00779 DRAWING NO: C-1445053 RESTRICTED TO: -

MATERIAL: SEE TABLE

PRODUCT SPEC: 108-1836
 APPLICATION SPEC: 114-13000
 WEIGHT: -

CUSTOMER DRAWING SCALE: 5:1 SHEET: 1 OF 1 REV: C3

X-ON Electronics

Largest Supplier of Electrical and Electronic Components

Click to view similar products for te connectivity manufacturer:

Other Similar products are found below :

[570416-000](#) [CLTEQ-M81CE-SSRELAY-4-20V](#) [D38999/24FJ4AN](#) [358838-000](#) [4-1195131-0](#) [650069-000](#) [SMD100-2](#) [CB-1022B-78](#)
[RM707012](#) [RP410012](#) [MMS42](#) [1-640426-8](#) [2EDL4CM](#) [DTS20W19-11PD-3028-LC](#) [RM202615](#) [NC6-P104-06](#) [MSPS103B](#) [DTS26F21-41AE](#) [DTS26F21-41PE-LC](#) [DTS26F21-11SE-3028-LC](#) [1932144-1](#) [293545-4](#) [LVR125S](#) [MS27466T25F4PB](#) [CKB-38-78010](#)
[1206SFF150F/63-2](#) [D38999/20JB35HA](#) [D38999/24WJ20PA](#) [1754138-1](#) [TE1500A2R2J](#) [DTS24F25-29PC-3028-LC](#) [D38999/24WG11HA](#)
[D38999/24WG11HN](#) [MS27467T21F11H](#) [DJT16E21-11HA](#) [1206SFH150F/24-2](#) [DTS24F19-11SC-3028-LC](#) [DTS24F21-41HN-LC](#)
[DTS24F21-41AN](#) [DTS24F21-41PN-LC](#) [RP330024](#) [MS27467T21F35J](#) [MS27467T21F11J](#) [MS27467T21F16H-LC](#) [MS27467T21F35H](#)
[MS27467T21F41H-LC](#) [DJT16E21-11PA-LC](#) [DJT16E21-11HA-LC](#) [DJT16E21-11AA](#) [MS27467T21B11JA](#)