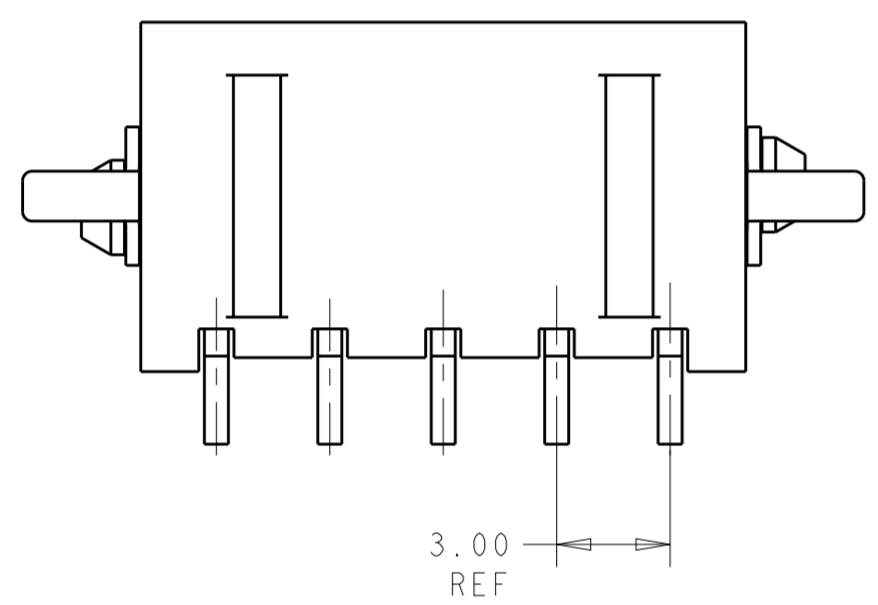
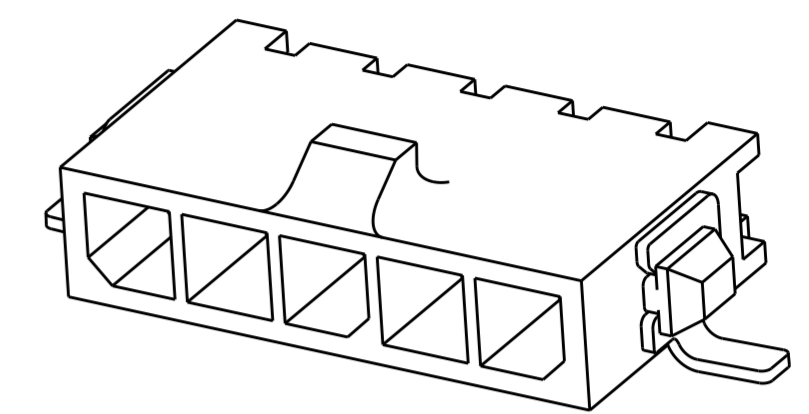
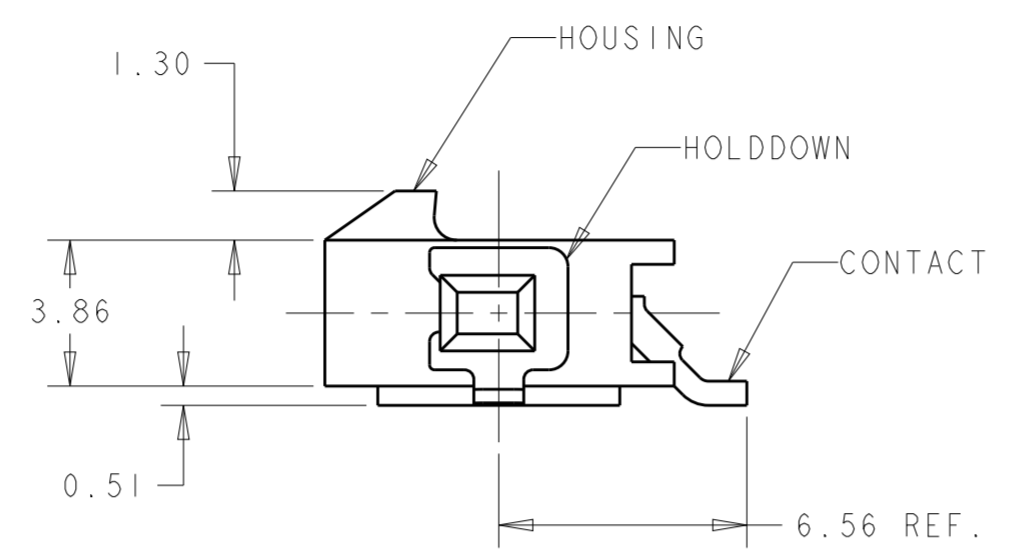
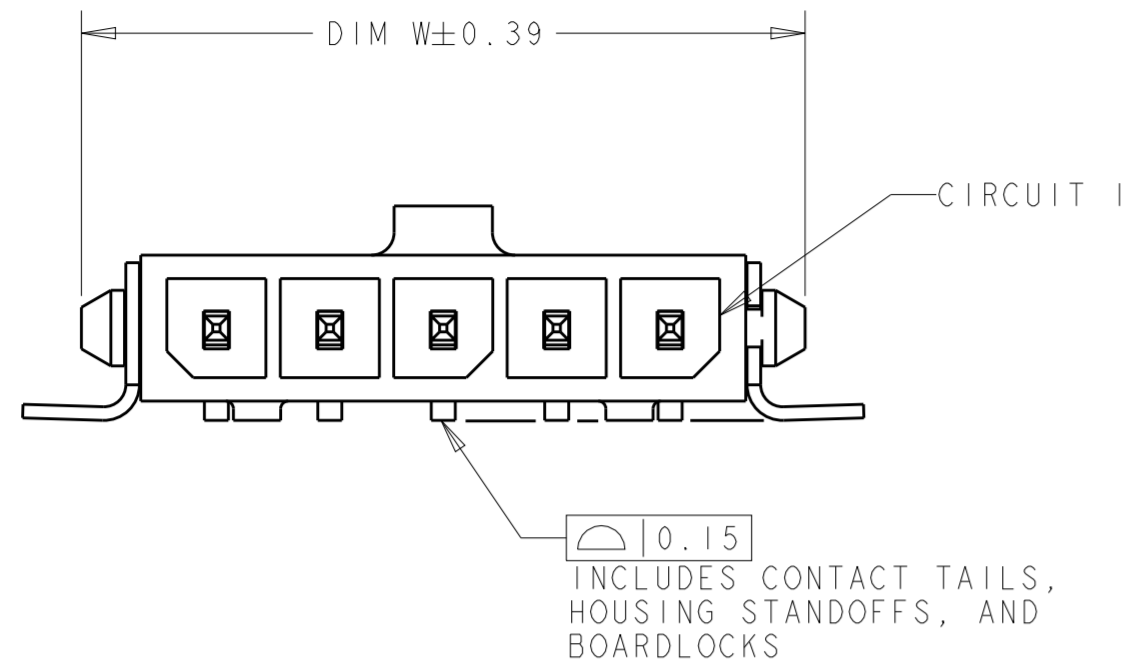
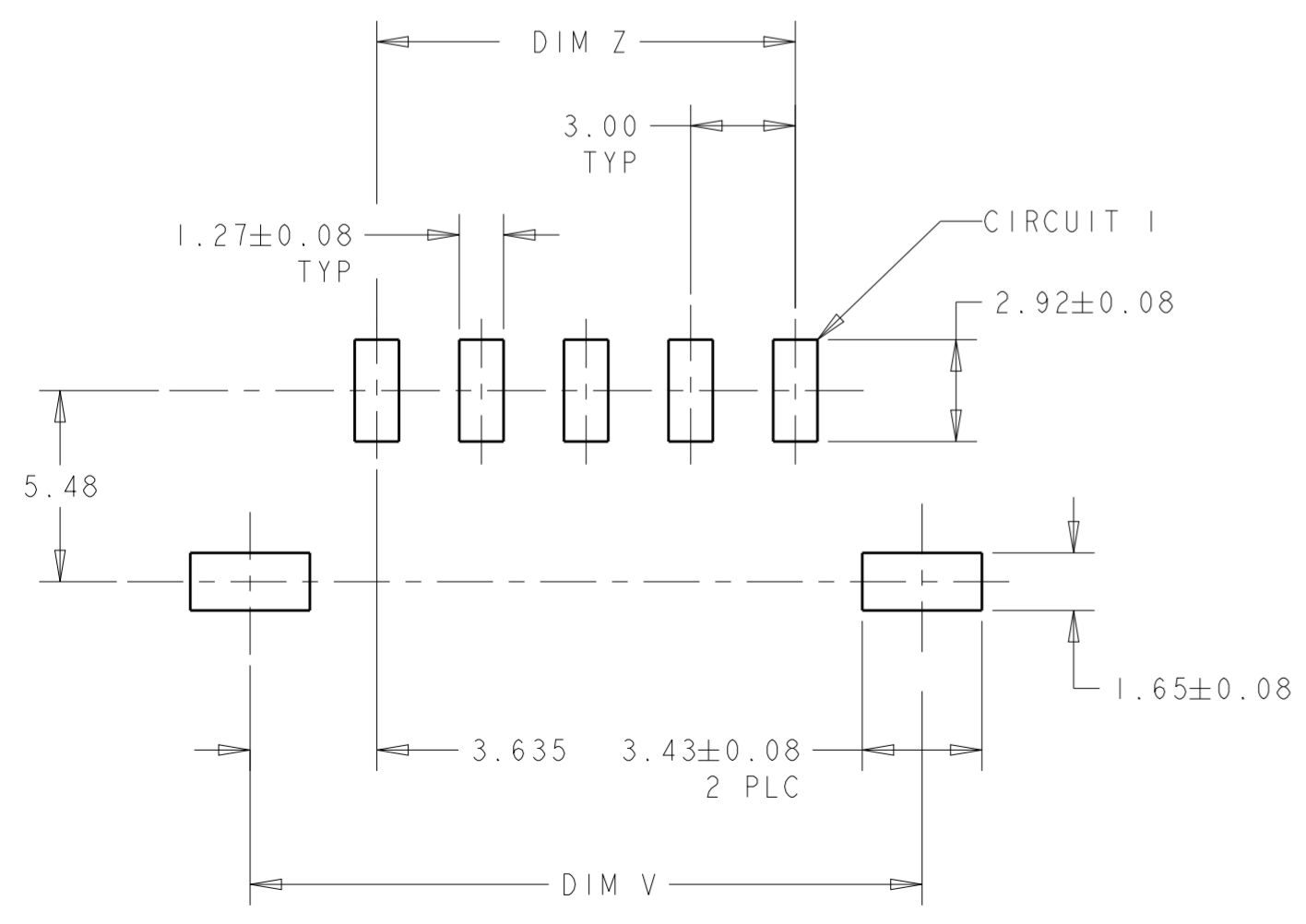


THIS DRAWING IS UNPUBLISHED. RELEASED FOR PUBLICATION 20  
 © COPYRIGHT 20 BY - ALL RIGHTS RESERVED.

REVISIONS					
P	LTR	DESCRIPTION	DATE	DWN	APVD
C3		REVISED PER ECR-16-011494	20JUN2017	NK	CX
C4		REVISED PER ECO-20-010933	05AUG2020	WLS	VS



- 1 MATERIAL: CONTACTS - BRASS  
HOUSING - UL 94V-0 RATED HIGH TEMP NYLON, COLOR BLACK.  
HOLDDOWNS: - PHOSPHOR BRONZE.
- 2 PLATING: CONTACTS- 2.54µm MINIMUM TIN LEAD OVER 1.27µm MINIMUM NICKEL.  
HOLDDOWNS- 2.54µm MINIMUM TIN-LEAD OVER 1.27µm MINIMUM NICKEL.
- 4 RECOMMENDED PC BOARD THICKNESS OF 1.57.
- 5 PLATING: CONTACTS-2.54µm MINIMUM TIN OVER 1.27µm MINIMUM NICKEL.  
HOLDDOWNS- 2.54µm MINIMUM TIN OVER 1.27µm MINIMUM NICKEL.



PCB LAYOUT COMPONENT SIDE 4

SUPERSEDED BY 3-1445057-2	33.00	40.27	40.00	12	3-1445057-2
SUPERSEDED BY 3-1445057-1	30.00	37.27	37.00	11	3-1445057-1
SUPERSEDED BY 3-1445057-0	27.00	34.27	34.00	10	3-1445057-0
SUPERSEDED BY 2-1445057-9	24.00	31.27	31.00	9	2-1445057-9
SUPERSEDED BY 2-1445057-8	21.00	28.27	28.00	8	2-1445057-8
SUPERSEDED BY 2-1445057-7	18.00	25.27	25.00	7	2-1445057-7
SUPERSEDED BY 2-1445057-6	15.00	22.27	22.00	6	2-1445057-6
SUPERSEDED BY 2-1445057-5	12.00	19.27	19.00	5	2-1445057-5
SUPERSEDED BY 2-1445057-4	9.00	16.27	16.00	4	2-1445057-4
SUPERSEDED BY 2-1445057-3	6.00	13.27	13.00	3	2-1445057-3
SUPERSEDED BY 2-1445057-2	3.00	10.27	10.00	2	2-1445057-2

FINISH	DIM Z	DIM V	DIM W	NO. OF POSN	PART NUMBER
5	33.00	40.27	40.00	12	3-1445057-2
5	30.00	37.27	37.00	11	3-1445057-1
5	27.00	34.27	34.00	10	3-1445057-0
5	24.00	31.27	31.00	9	2-1445057-9
5	21.00	28.27	28.00	8	2-1445057-8
5	18.00	25.27	25.00	7	2-1445057-7
5	15.00	22.27	22.00	6	2-1445057-6
5	12.00	19.27	19.00	5	2-1445057-5
5	9.00	16.27	16.00	4	2-1445057-4
5	6.00	13.27	13.00	3	2-1445057-3
5	3.00	10.27	10.00	2	2-1445057-2

THIS DRAWING IS A CONTROLLED DOCUMENT.

DWN J. ROOT 03-OCT-2000  
 CHK K. WHITAKER 13-MAR-2001  
 APVD K. WHITAKER 13-MAR-2001

TE Connectivity

RT ANGLE SURFACE MOUNT HEADER ASSY, TIN CONTACTS W/SURF MOUNT HOLDDOWNS, SINGLE ROW, MICRO MATE-N-LOK™

108-1836  
 114-13000

SIZE A2 CAGE CODE 00779 DRAWING NO. C-1445057

SCALE 5:1 SHEET 1 OF 1 REV C4

## X-ON Electronics

Largest Supplier of Electrical and Electronic Components

*Click to view similar products for [Pin & Socket Connectors](#) category:*

*Click to view products by [TE Connectivity](#) manufacturer:*

Other Similar products are found below :

[6450822-1](#) [770392-1](#) [794042-1](#) [796885-1](#) [8-794535-1](#) [881459-2](#) [R929993003](#) [1-350779-3](#) [1403611-1](#) [1-480349-5](#) [1586092-1](#) [1586129-1](#)  
[1586487-1](#) [1586681-4](#) [1586700-1](#) [1586065-1](#) [1586077-1](#) [1586368-1](#) [1586380-1](#) [1586680-5](#) [1586681-2](#) [1604996-1](#) [16-06-0038](#) [164164-5](#) [1-](#)  
[6609930-1](#) [172296-1](#) [1-794714-6](#) [19-09-2035](#) [1969804-1](#) [200503-1](#) [200788-2](#) [201046-7](#) [202648-4](#) [2029076-2](#) [2029090-4](#) [2029095-4](#) [2-](#)  
[66102-6](#) [925061-7](#) [926681-1](#) [293734-4](#) [293737-2](#) [1-765362-4](#) [1-794606-3](#) [1871534-1](#) [1969795-1](#) [1969798-1](#) [1969800-1](#) [200833-4](#)  
[2008625-2](#) [2029027-2](#)