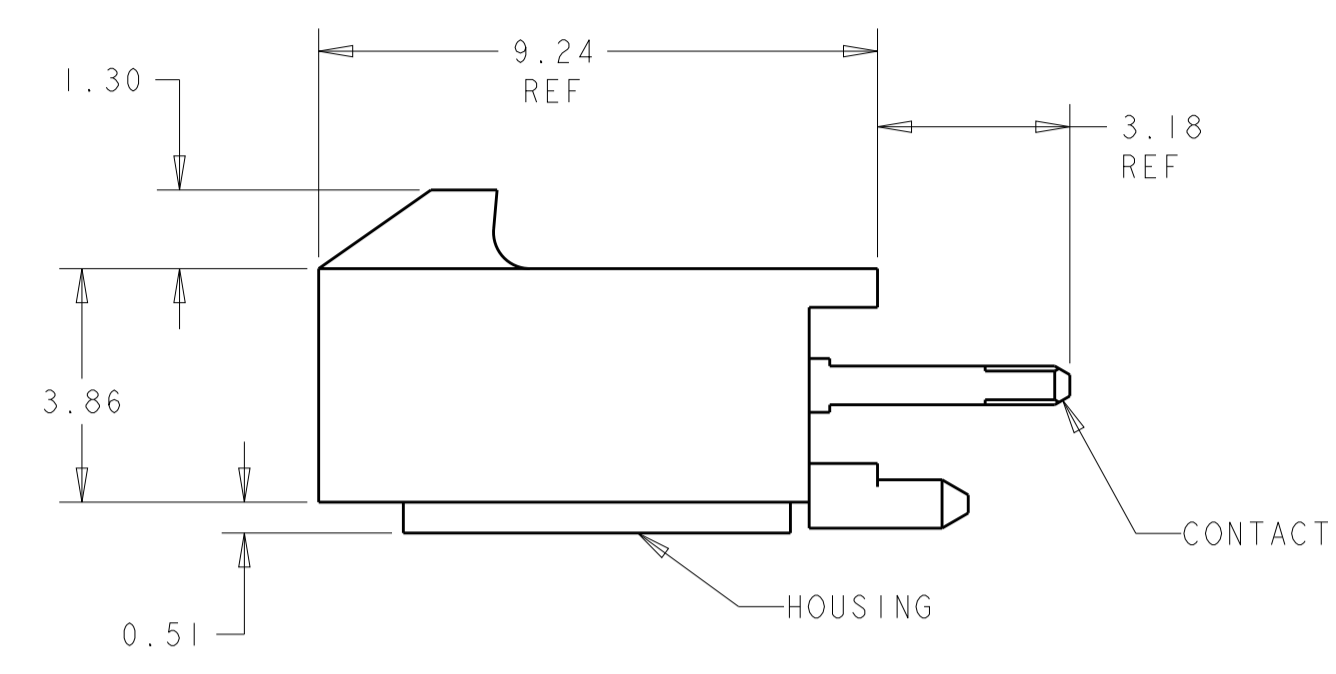
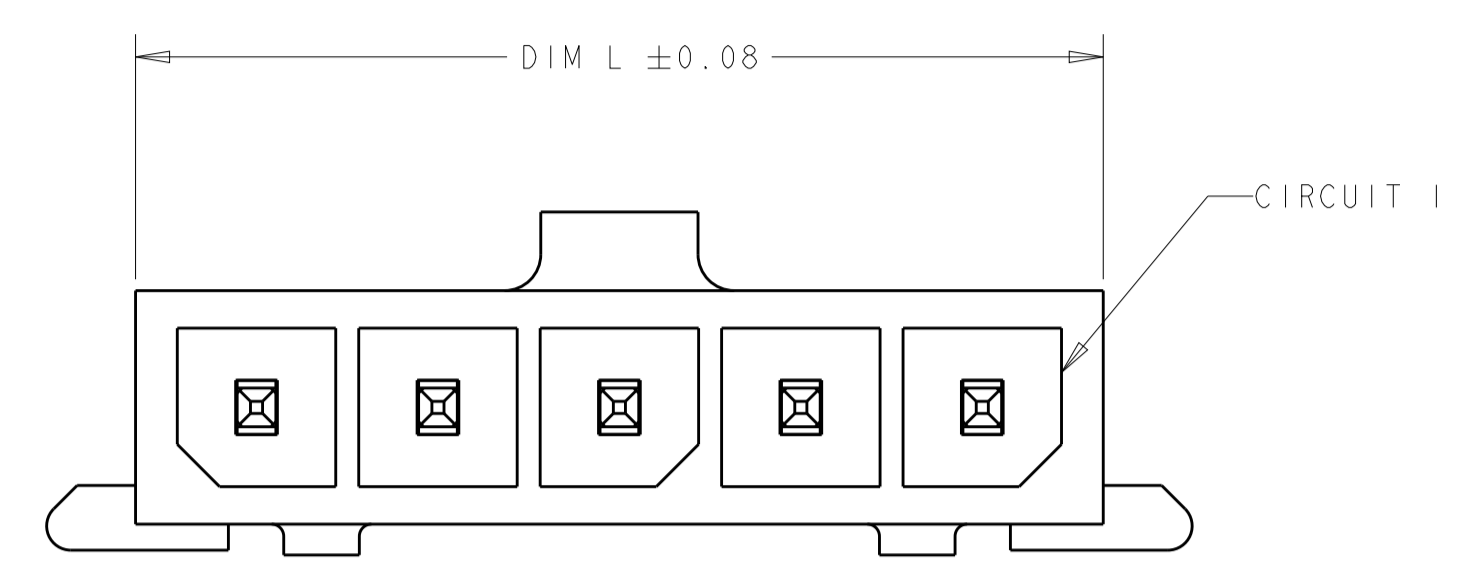
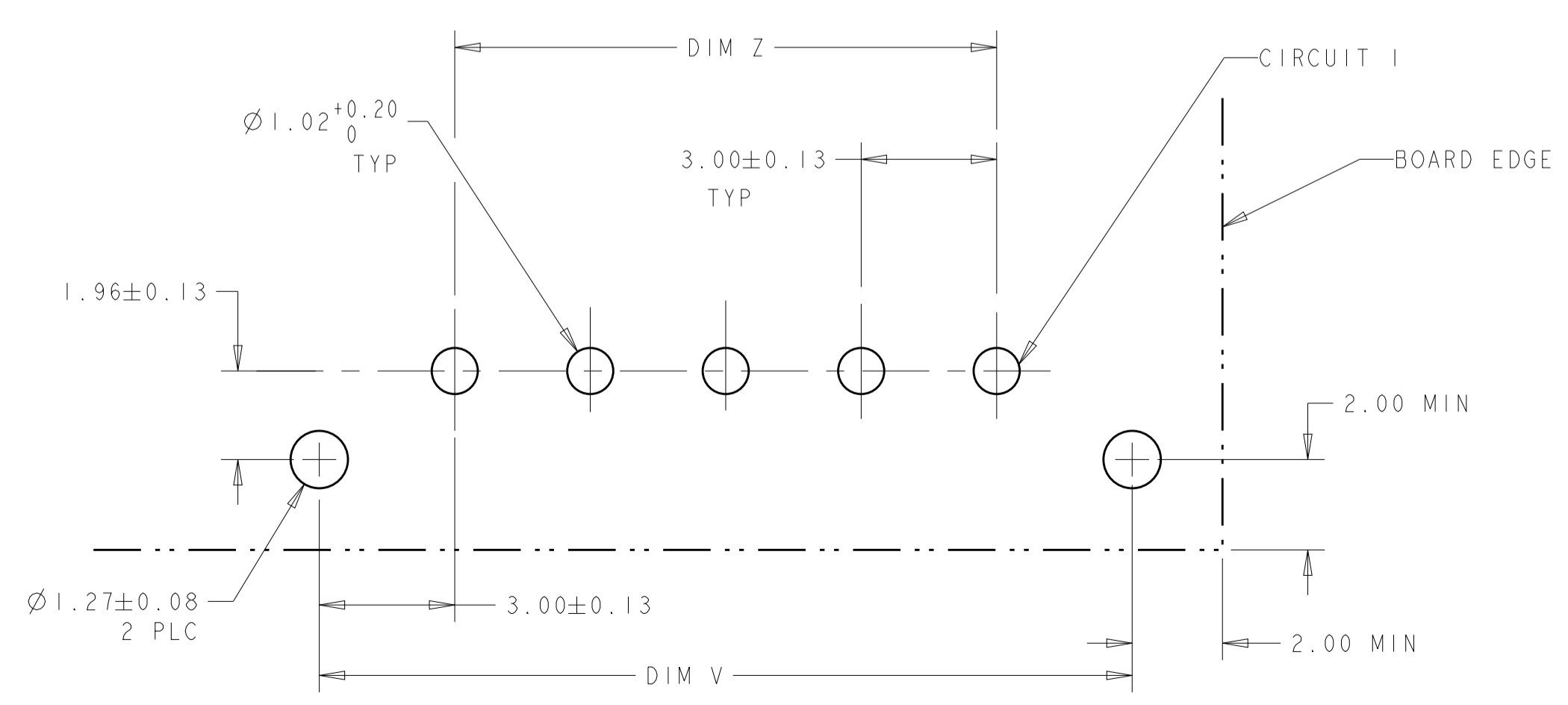
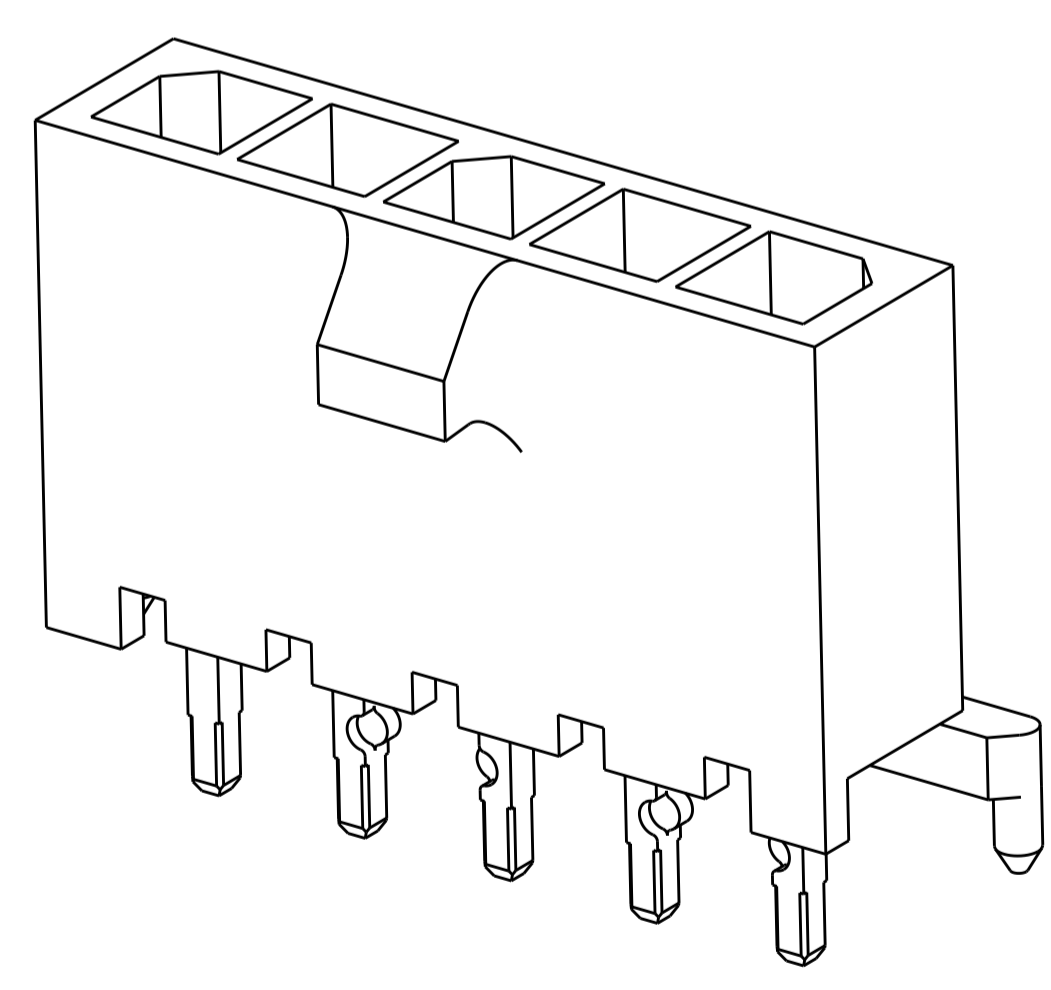
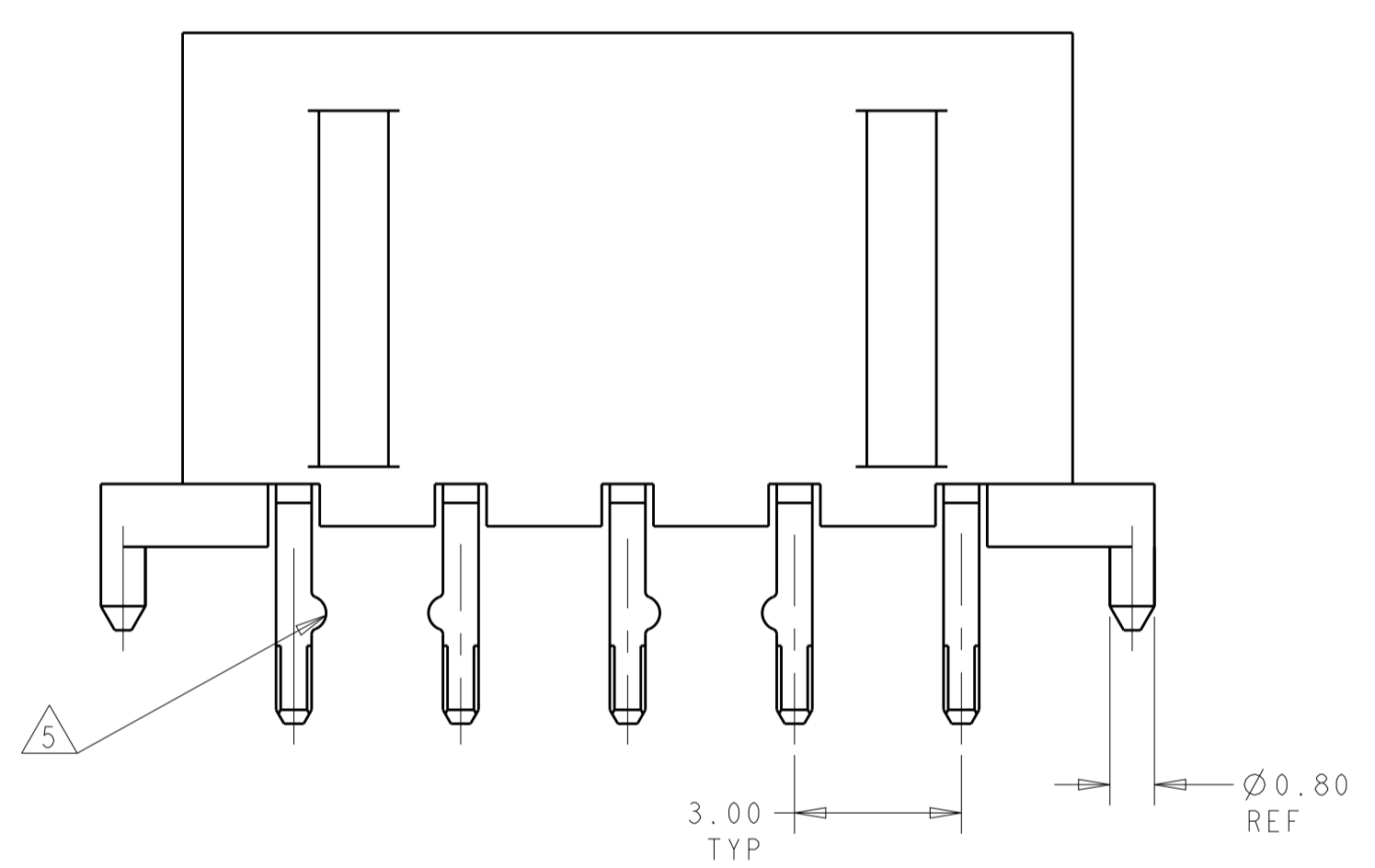


| REVISIONS |     |                           |           |         |
|-----------|-----|---------------------------|-----------|---------|
| P.        | LTN | DESCRIPTION               | DATE      | APP'D   |
| B2        |     | REVISED PER ECR-16-011494 | 20JUN2017 | NK CX   |
| B3        |     | REVISED PER ECR-16-017083 | 29DEC2017 | C.X D.Z |
| B4        |     | ECO-19-006934             | 13MAY2019 | AP WS   |



- 1 MATERIAL: CONTACTS - BRASS  
HOUSING - UL 94V-0 RATED HIGH TEMP NYLON, COLOR BLACK.
- 2 PLATING: CONTACTS - 0.76µm MINIMUM GOLD ON MATING END,  
2.54µm MINIMUM TIN LEAD ON SOLDER TAILS, BOTH OVER  
1.27µm MINIMUM NICKEL.
- 4 RECOMMENDED PC BOARD THICKNESS OF 1.57.
- 5 RETENTION BUMP FEATURES FACE EACH OTHER, TYPICAL  
ALL CONFIGURATIONS.
- 6 PLATING: CONTACTS - 0.76µm MINIMUM GOLD ON MATING END,  
2.54µm MINIMUM MATTE TIN ON SOLDER TAILS, BOTH OVER  
1.27µm MINIMUM NICKEL.



PCB LAYOUT COMPONENT SIDE 4

| FINISH | CON W/RET BUMP | POS       | DIM Z | DIM V | DIM L | NO. OF POSN | PART NUMBER |
|--------|----------------|-----------|-------|-------|-------|-------------|-------------|
| 6      |                | 12,11,2,1 | 33.00 | 39.14 | 37.00 | 12          | 3-1445093-2 |
| 6      |                | 11,10,3,2 | 30.00 | 36.14 | 34.00 | 11          | 3-1445093-1 |
| 6      |                | 10,9,2,1  | 27.00 | 33.14 | 31.00 | 10          | 3-1445093-0 |
| 6      |                | 9,8,3,2   | 24.00 | 30.14 | 28.00 | 9           | 2-1445093-9 |
| 6      |                | 8,7,2,1   | 21.00 | 27.14 | 25.00 | 8           | 2-1445093-8 |
| 6      |                | 7,6,3,2   | 18.00 | 24.14 | 22.00 | 7           | 2-1445093-7 |
| 6      |                | 6,5,2,1   | 15.00 | 21.14 | 19.00 | 6           | 2-1445093-6 |
| 6      |                | 5,4,3,2   | 12.00 | 18.14 | 16.00 | 5           | 2-1445093-5 |
| 6      |                | 4,3,2,1   | 9.00  | 15.14 | 13.00 | 4           | 2-1445093-4 |
| 6      |                | 3,2       | 6.00  | 12.14 | 10.00 | 3           | 2-1445093-3 |
| 6      |                | 2,1       | 3.00  | 9.14  | 7.00  | 2           | 2-1445093-2 |
| 2      |                | 12,11,2,1 | 33.00 | 39.14 | 37.00 | 12          | 1-1445093-2 |
| 2      |                | 11,10,3,2 | 30.00 | 36.14 | 34.00 | 11          | 1-1445093-1 |
| 2      |                | 10,9,2,1  | 27.00 | 33.14 | 31.00 | 10          | 1-1445093-0 |
| 2      |                | 9,8,3,2   | 24.00 | 30.14 | 28.00 | 9           | 1-1445093-9 |
| 2      |                | 8,7,2,1   | 21.00 | 27.14 | 25.00 | 8           | 1-1445093-8 |
| 2      |                | 7,6,3,2   | 18.00 | 24.14 | 22.00 | 7           | 1-1445093-7 |
| 2      |                | 6,5,2,1   | 15.00 | 21.14 | 19.00 | 6           | 1-1445093-6 |
| 2      |                | 5,4,3,2   | 12.00 | 18.14 | 16.00 | 5           | 1-1445093-5 |
| 2      |                | 4,3,2,1   | 9.00  | 15.14 | 13.00 | 4           | 1-1445093-4 |
| 2      |                | 3,2       | 6.00  | 12.14 | 10.00 | 3           | 1-1445093-3 |
| 2      |                | 2,1       | 3.00  | 9.14  | 7.00  | 2           | 1-1445093-2 |

SUPERSEDED BY 3-1445093-2  
 SUPERSEDED BY 3-1445093-1  
 SUPERSEDED BY 3-1445093-0  
 SUPERSEDED BY 2-1445093-9  
 SUPERSEDED BY 2-1445093-8  
 SUPERSEDED BY 2-1445093-7  
 SUPERSEDED BY 2-1445093-6  
 SUPERSEDED BY 2-1445093-5  
 SUPERSEDED BY 2-1445093-4  
 SUPERSEDED BY 2-1445093-3  
 SUPERSEDED BY 2-1445093-2

THIS DRAWING IS A CONTROLLED DOCUMENT. DWG: 100CT2000  
 CHK: J. ROOT 17-APR-2001  
 APP'D: K. WHITAKER 17-APR-2001  
 C. JONES 17-APR-2001

**STE** TE Connectivity

NAME: VERTICAL THRU HOLE HEADER ASSY.  
 0.76 MIC GOLD CONTACTS, W/PCB PLZN  
 FEATURE, SGL ROW, MICRO MATE-N-LOK(TM)

PRODUCT SPEC: 108-1836  
 APPLICATION SPEC: 114-13000  
 SIZE: 114-13000  
 WEIGHT: -  
 CUSTOMER DRAWING

SCALE: 8:1 SHEET 1 OF 1 REV: B4

## X-ON Electronics

Largest Supplier of Electrical and Electronic Components

*Click to view similar products for [Pin & Socket Connectors](#) category:*

*Click to view products by [TE Connectivity](#) manufacturer:*

Other Similar products are found below :

[6450822-1](#) [770392-1](#) [794042-1](#) [796885-1](#) [8-794535-1](#) [881459-2](#) [R929993003](#) [1-350779-3](#) [1403611-1](#) [1-480349-5](#) [1586092-1](#) [1586129-1](#)  
[1586487-1](#) [1586681-4](#) [1586700-1](#) [1586065-1](#) [1586077-1](#) [1586368-1](#) [1586380-1](#) [1586680-5](#) [1586681-2](#) [1604996-1](#) [16-06-0038](#) [164164-5](#) [1-](#)  
[6609930-1](#) [172296-1](#) [1-794714-6](#) [19-09-2035](#) [1969804-1](#) [200503-1](#) [200788-2](#) [201046-7](#) [202648-4](#) [2029076-2](#) [2029090-4](#) [2029095-4](#) [2-](#)  
[66102-6](#) [925061-7](#) [926681-1](#) [293734-4](#) [293737-2](#) [1-765362-4](#) [1-794606-3](#) [1871534-1](#) [1969795-1](#) [1969798-1](#) [1969800-1](#) [200833-4](#)  
[2008625-2](#) [2029027-2](#)