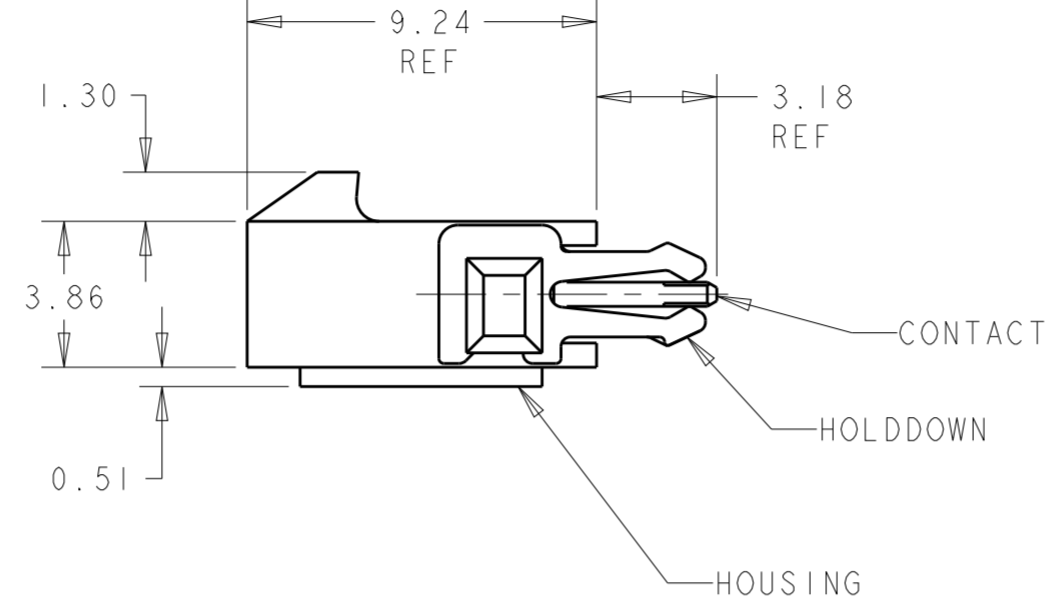
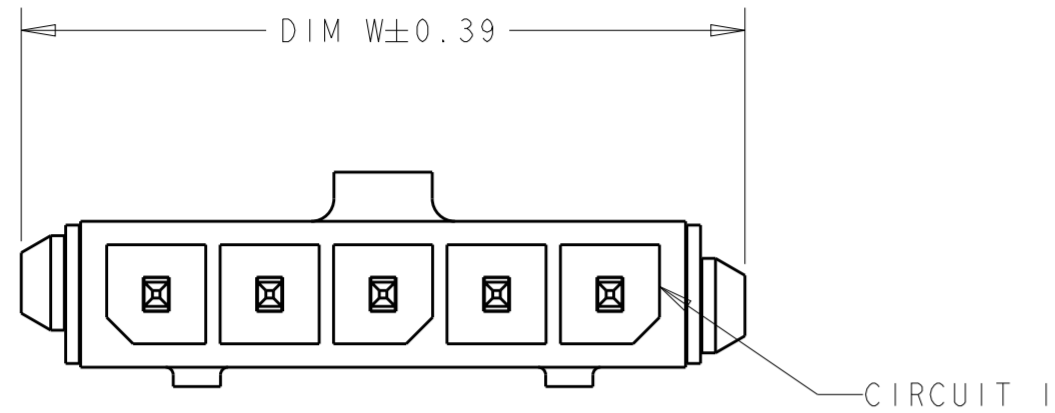
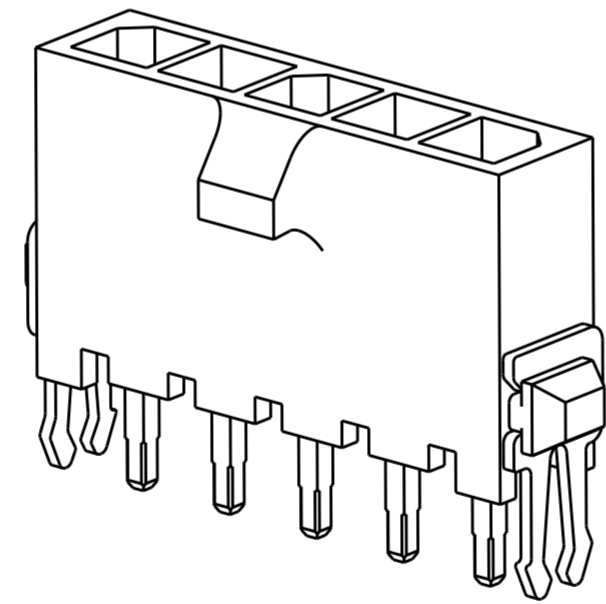
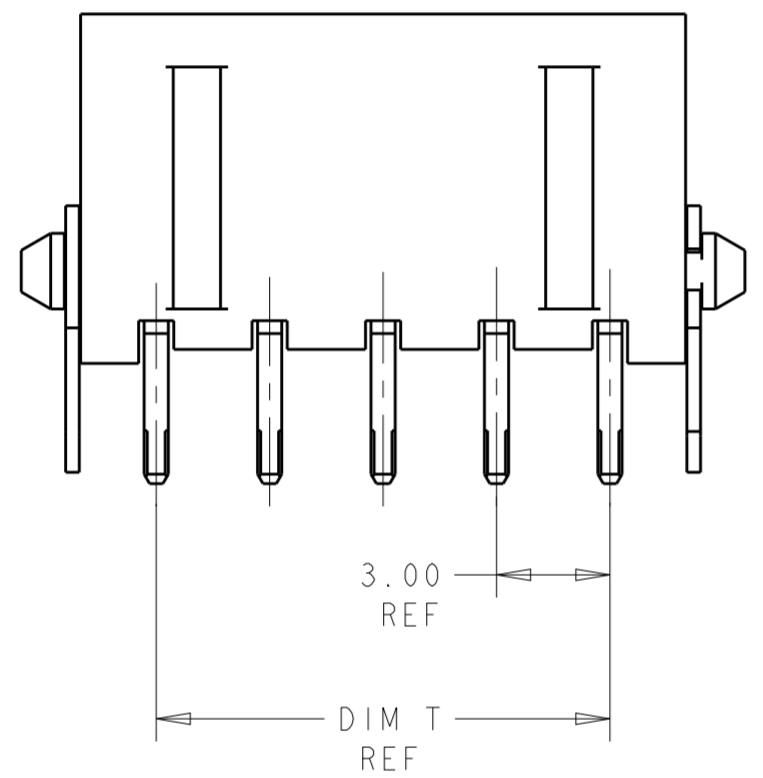


THIS DRAWING IS UNPUBLISHED. RELEASED FOR PUBLICATION 20
 © COPYRIGHT 20 BY - ALL RIGHTS RESERVED.

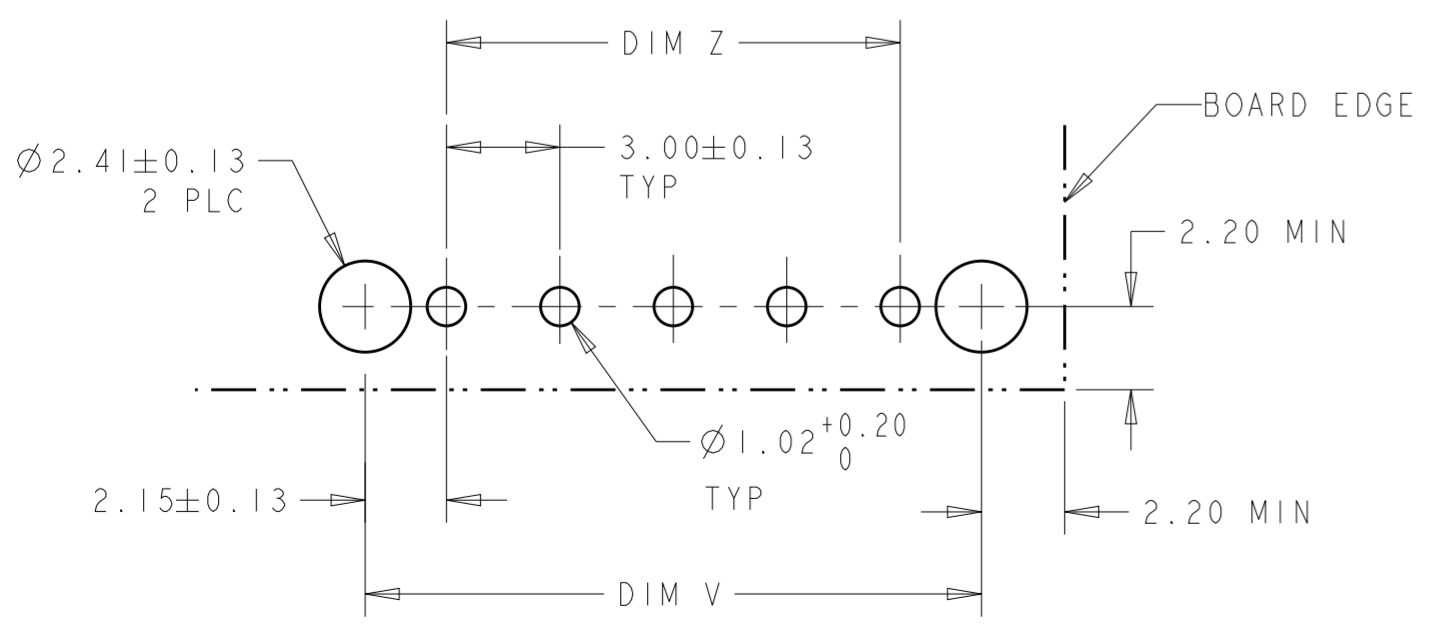
REVISIONS					
P	LTR	DESCRIPTION	DATE	DWN	APVD
A3		REVISED PER ECR-16-011494	30MAY2017	NK	CX
A4		ECO-19-006934	10MAY2019	AP	WS



- 1 MATERIAL: CONTACTS - BRASS
HOUSING - UL 94V-0 RATED HIGH TEMP NYLON, COLOR BLACK.
HOLDDOWNS: - PHOSPHOR BRONZE.
- 2 PLATING: CONTACTS - 0.76µm MINIMUM GOLD ON MATING END,
2.54µm MINIMUM TIN LEAD ON SOLDER TAILS, BOTH OVER
1.27µm MINIMUM NICKEL.
HOLDDOWNS: 2.54µm MINIMUM MATTE TIN OVER 1.27µm MINIMUM
NICKEL.
- 4 RECOMMENDED PC BOARD THICKNESS OF 1.57.
- 5 PLATING: CONTACTS - 0.76µm MINIMUM GOLD ON MATING END,
2.54µm MINIMUM MATTE TIN ON SOLDER TAILS, BOTH OVER
1.27µm MINIMUM NICKEL.
HOLDDOWNS: 2.54µm MINIMUM MATTE TIN OVER 1.27µm MINIMUM
NICKEL.



5	33.00	37.43	33.00	40.14	12	3-1445094-2
5	30.00	34.43	30.00	37.14	11	3-1445094-1
5	27.00	31.43	27.00	34.14	10	3-1445094-0
5	24.00	28.43	24.00	31.14	9	2-1445094-9
5	21.00	25.43	21.00	28.14	8	2-1445094-8
5	18.00	22.43	18.00	25.14	7	2-1445094-7
5	15.00	19.43	15.00	22.14	6	2-1445094-6
5	12.00	16.43	12.00	19.14	5	2-1445094-5
5	9.00	13.43	9.00	16.14	4	2-1445094-4
5	6.00	10.43	6.00	13.14	3	2-1445094-3
5	3.00	7.43	3.00	10.14	2	2-1445094-2
2	33.00	37.43	33.00	40.14	12	1-1445094-2
2	30.00	34.43	30.00	37.14	11	1-1445094-1
2	27.00	31.43	27.00	34.14	10	1-1445094-0
2	24.00	28.43	24.00	31.14	9	1-1445094-9
2	21.00	25.43	21.00	28.14	8	1-1445094-8
2	18.00	22.43	18.00	25.14	7	1-1445094-7
2	15.00	19.43	15.00	22.14	6	1-1445094-6
2	12.00	16.43	12.00	19.14	5	1-1445094-5
2	9.00	13.43	9.00	16.14	4	1-1445094-4
2	6.00	10.43	6.00	13.14	3	1-1445094-3
2	3.00	7.43	3.00	10.14	2	1-1445094-2
FINISH	DIM Z	DIM V	DIM T	DIM W	NO. OF POSN	PART NUMBER



PCB LAYOUT COMPONENT SIDE

THIS DRAWING IS A CONTROLLED DOCUMENT.

DWN: J. ROOT 10OCT2000
 CHK: K. WHITAKER 17-APR-2001
 APVD: C. JONES 17-APR-2001

STE TE Connectivity

NAME: VERTICAL THRU HOLE HEADER ASSY, 0.76 MIC GOLD CONTACTS, W/THRU HOLE HOLDDOWNS, SGL ROW. MICRO MATE-N-LOK™

PRODUCT SPEC: 108-1836
 APPLICATION SPEC: 114-13000

SIZE: A2 CAGE CODE: 0779 DRAWING NO: 1445094 RESTRICTED TO: -

MATERIAL: SEE TABLE
 FINISH: SEE TABLE

CUSTOMER DRAWING SCALE: 5:1 SHEET: 1 OF 1 REV: A4

X-ON Electronics

Largest Supplier of Electrical and Electronic Components

Click to view similar products for [Pin & Socket Connectors](#) category:

Click to view products by [TE Connectivity](#) manufacturer:

Other Similar products are found below :

[6450822-1](#) [770392-1](#) [794042-1](#) [796885-1](#) [8-794535-1](#) [881459-2](#) [R929993003](#) [1-350779-3](#) [1403611-1](#) [1-480349-5](#) [1586092-1](#) [1586129-1](#)
[1586487-1](#) [1586681-4](#) [1586700-1](#) [1586065-1](#) [1586077-1](#) [1586368-1](#) [1586380-1](#) [1586680-5](#) [1586681-2](#) [1604996-1](#) [16-06-0038](#) [164164-5](#) [1-](#)
[6609930-1](#) [172296-1](#) [1-794714-6](#) [19-09-2035](#) [1969804-1](#) [200503-1](#) [200788-2](#) [201046-7](#) [202648-4](#) [2029076-2](#) [2029090-4](#) [2029095-4](#) [2-](#)
[66102-6](#) [925061-7](#) [926681-1](#) [293734-4](#) [293737-2](#) [1-765362-4](#) [1-794606-3](#) [1871534-1](#) [1969795-1](#) [1969798-1](#) [1969800-1](#) [200833-4](#)
[2008625-2](#) [2029027-2](#)