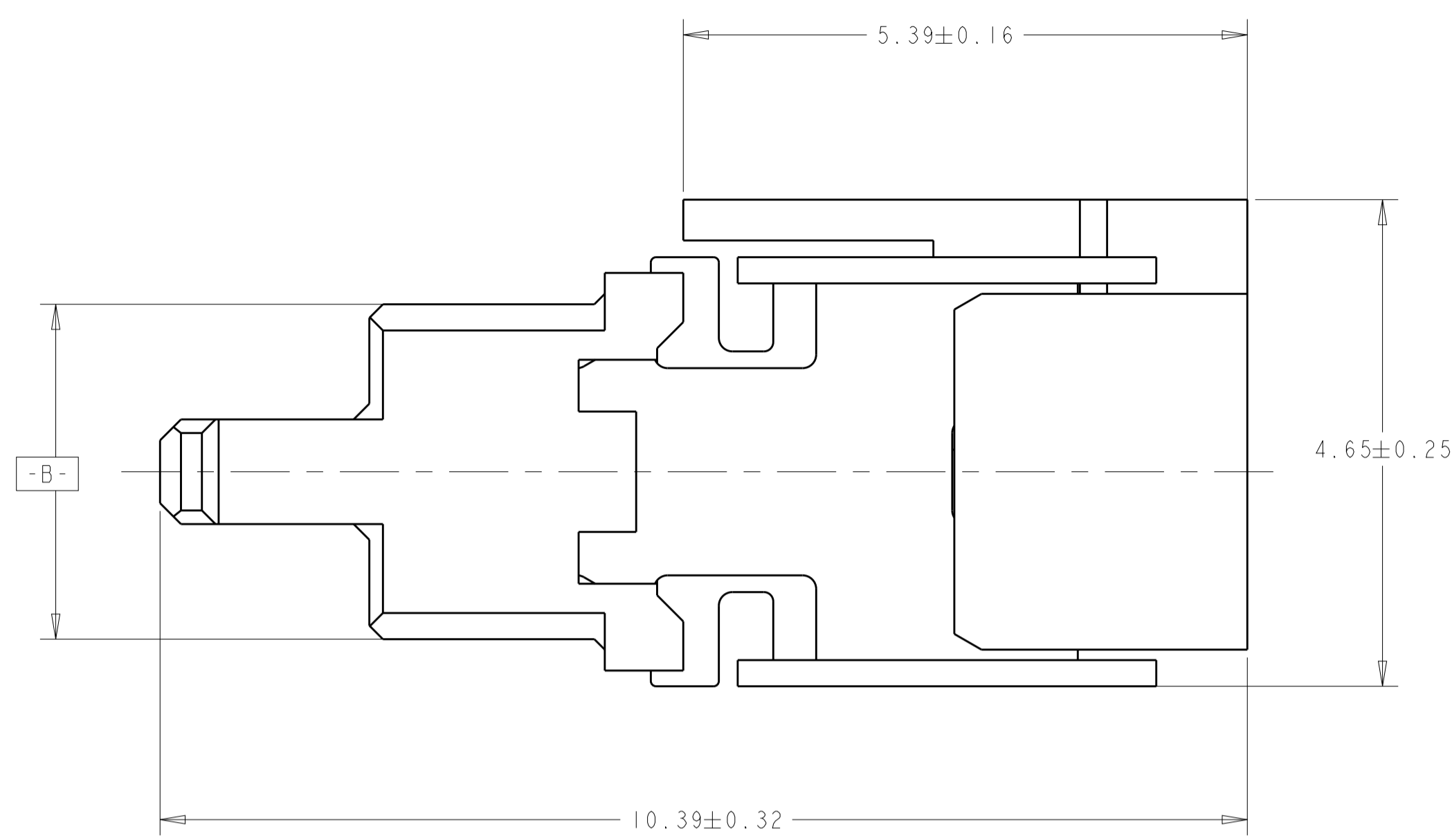
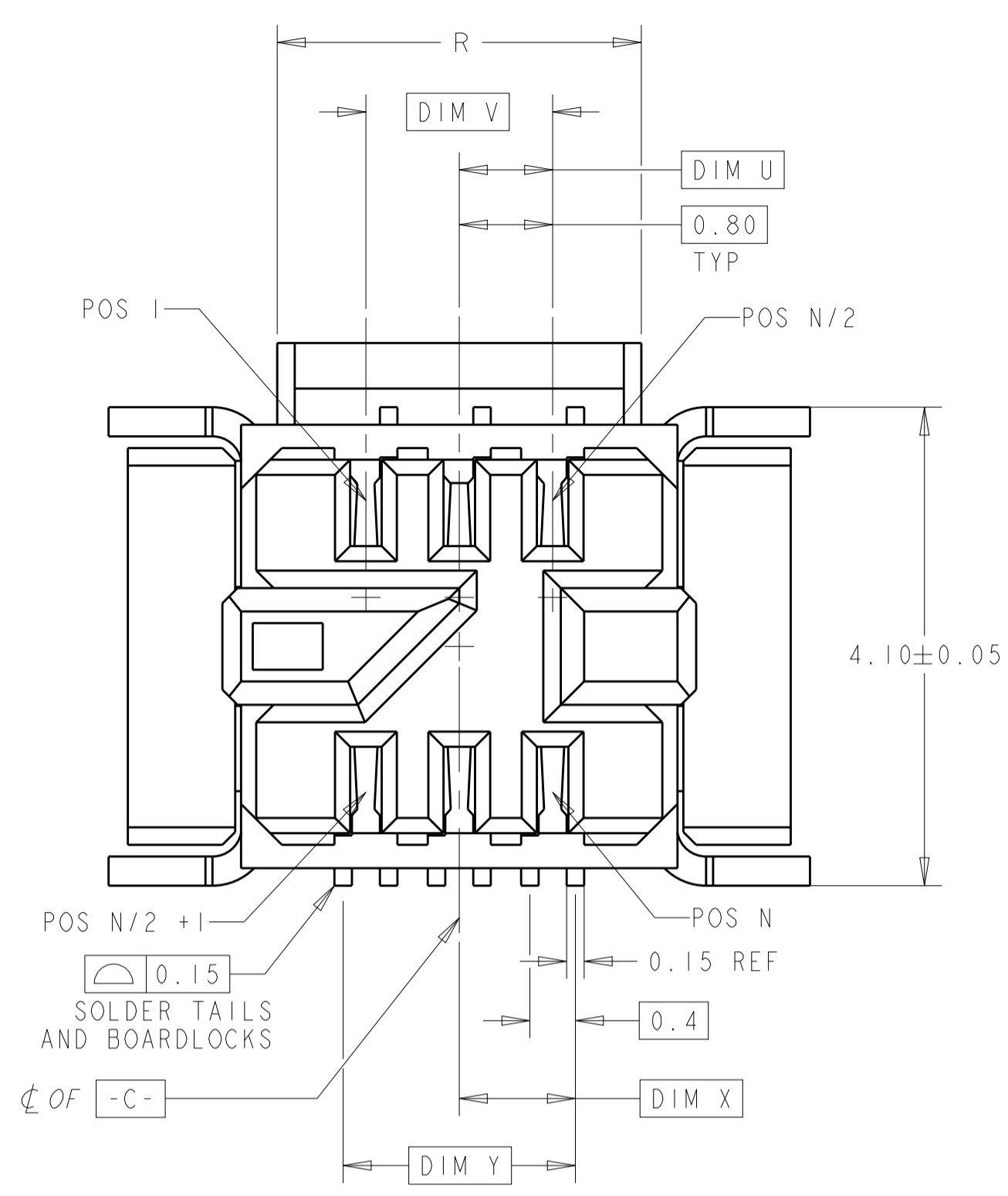
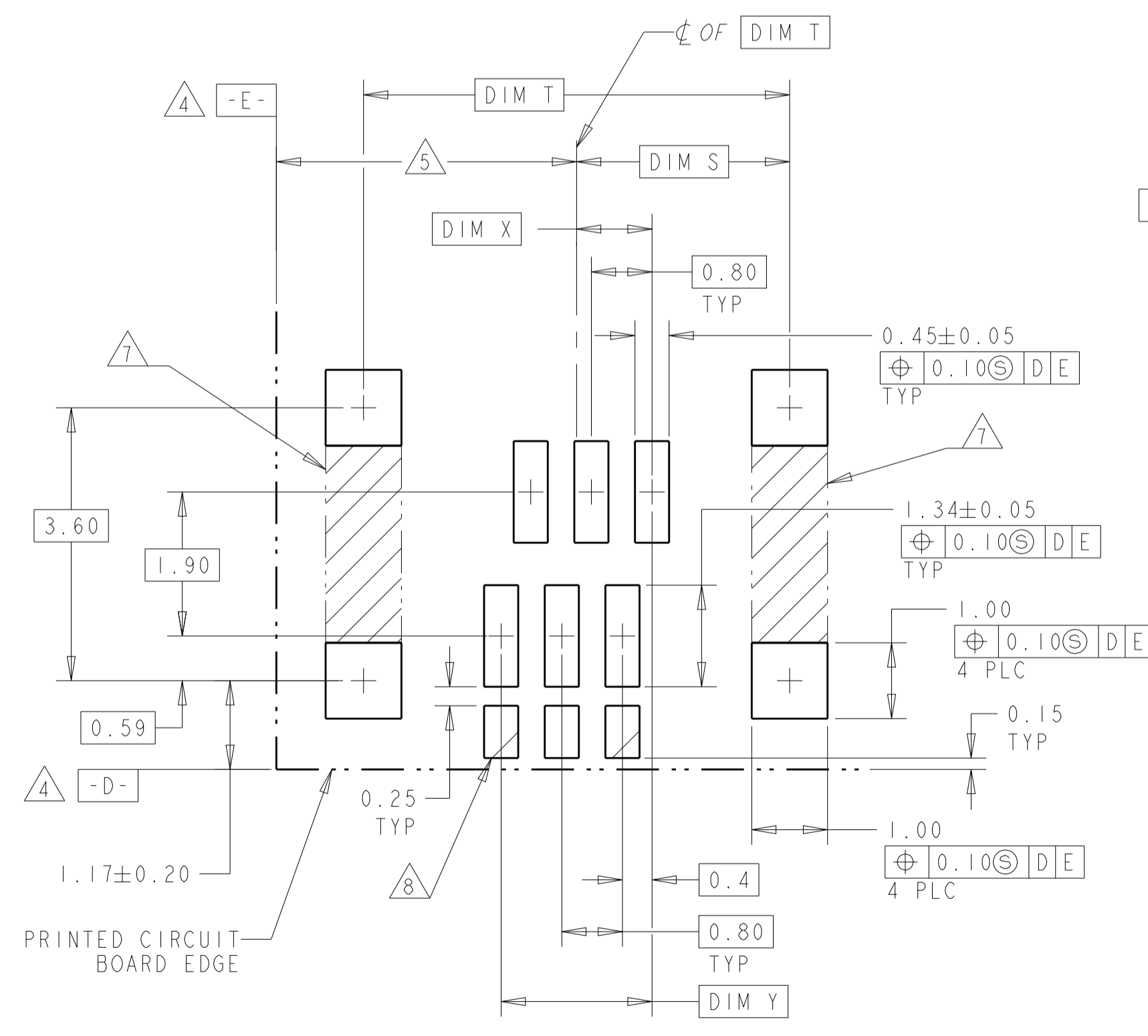
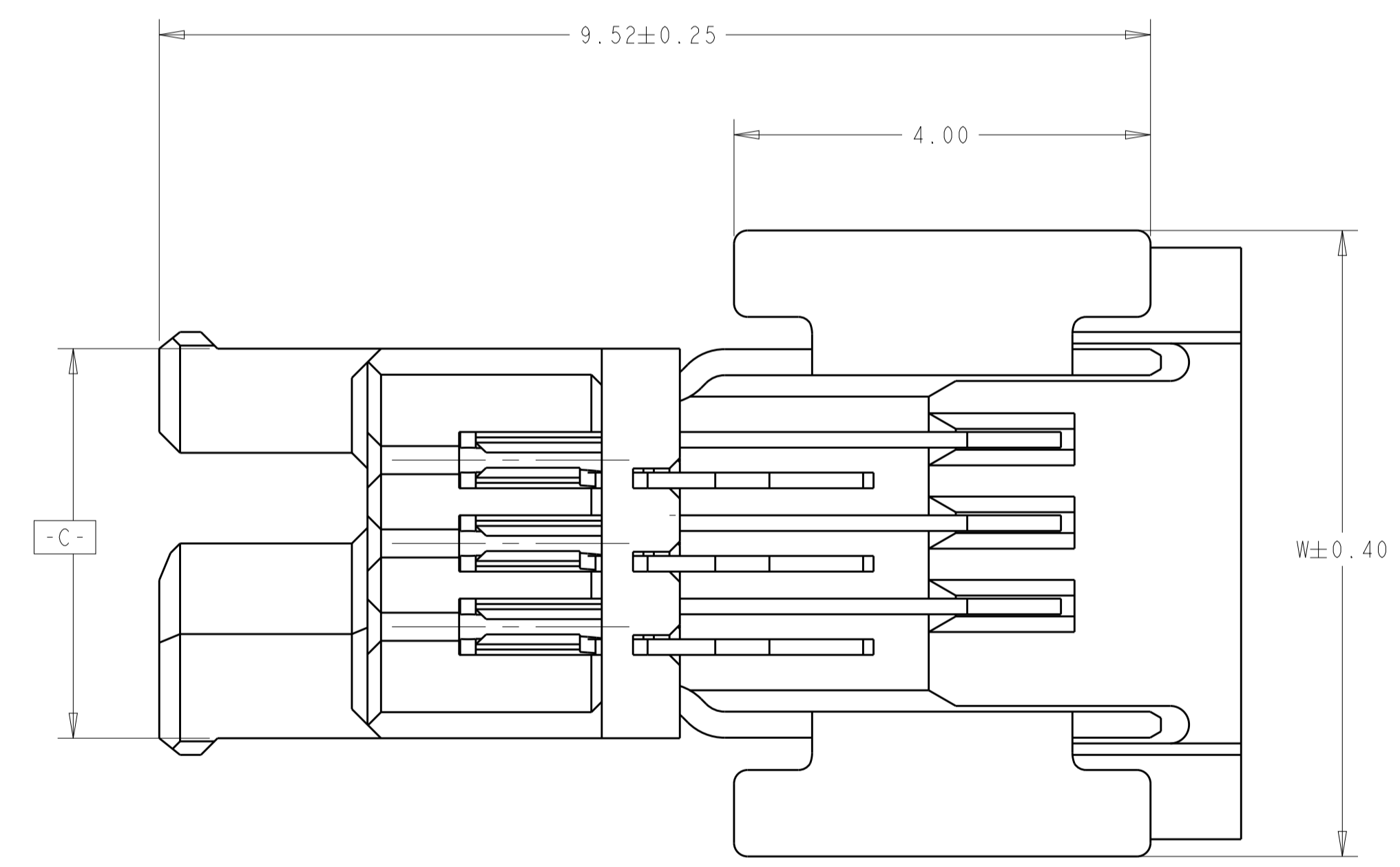


REVISIONS				
P.	LTN	DESCRIPTION	DATE	APVD
B		REVISED PER ECO-15-004627	25MAR2015	NK MM



- 1 HOUSING & ORGANIZER MATERIAL; UL94 V-0 RATED LCP, COLOR: NATURAL  
CONTACT MATERIAL: PHOS BRONZE  
BOARDLOCK MATERIAL: BRASS
- 2 CONTACT PLATING; 0.76 μm MIN GOLD IN MATING AREA  
2.54μm - 5.08μm MATTE TIN LEAD IN SOLDER AREA.  
BOTH OVER 1.27μm MIN NICKEL ON ENTIRE STOCK.
- 3 BOARDLOCK PLATING; 3.8 μm MIN BRIGHT TIN/LEAD ON ENTIRE STOCK  
OVER 1.27 μm MIN NICKEL ON ENTIRE STOCK.
- 4 DATUM ESTABLISHED BY CUSTOMER.
- 5 BASIC DIMENSIONS ESTABLISHED BY CUSTOMER.
- 6. THIS PRODUCT HAS NOT COMPLETED VALIDATION TESTING.
- 7 NO TRACES ON EXTERNAL BOARD LAYER IN THIS AREA, KEEPOUT.
- 8 NO SOLDER PASTE PERMITTED ON THESE PADS.
- 9 CONTACT PLATING; 0.76 μm MIN GOLD IN MATING AREA  
2.54μm - 5.08μm TIN IN SOLDER AREA.  
BOTH OVER 1.27μm MIN NICKEL ON ENTIRE STOCK.
- 10 BOARDLOCK PLATING; 3.8 μm MIN TIN ON ENTIRE STOCK  
OVER 1.27 μm MIN NICKEL ON ENTIRE STOCK.
- 11 ROHS 2002/95/EC COMPLIANT.
- 12 OBSOLETE PARTS: OBSOLETE CIS STREAMLINING PER D.RENAUD/D.SINISI



PC BOARD LAYOUT  
SCALE 15:1

- OBSOLETE
- OBSOLETE
- OBSOLETE
- OBSOLETE
- OBSOLETE
- OBSOLETE
- OBSOLETE
- OBSOLETE
- OBSOLETE
- OBSOLETE

FINISH	R	DIM S	DIM T	DIM U	DIM V	W	DIM X	DIM Y	NO. OF POS N	PART NUMBER
16.72	9.61	19.22	7.60	15.20	19.61	7.8	15.6	40	6-1445297-8	
15.92	9.21	18.42	7.20	14.40	18.81	7.4	14.8	38	6-1445297-7	
15.12	8.81	17.62	6.80	13.60	18.01	7.0	14.0	36	6-1445297-6	
14.32	8.41	16.82	6.40	12.80	17.21	6.6	13.2	34	6-1445297-5	
13.52	8.01	16.02	6.00	12.00	16.41	6.2	12.4	32	6-1445297-4	
12.72	7.61	15.22	5.60	11.20	15.61	5.8	11.6	30	6-1445297-3	
11.92	7.21	14.42	5.20	10.40	14.81	5.4	10.8	28	6-1445297-2	
11.12	6.81	13.62	4.80	9.60	14.01	5.0	10.0	26	6-1445297-1	
10.32	6.41	12.82	4.40	8.80	13.21	4.6	9.2	24	6-1445297-0	
9.52	6.01	12.02	4.00	8.00	12.41	4.2	8.4	22	5-1445297-9	
8.72	5.61	11.22	3.60	7.20	11.61	3.8	7.6	20	5-1445297-8	
7.92	5.21	10.42	3.20	6.40	10.81	3.4	6.8	18	5-1445297-7	
7.12	4.81	9.62	2.80	5.60	10.01	3.0	6.0	16	5-1445297-6	
6.32	4.41	8.82	2.40	4.80	9.21	2.6	5.2	14	5-1445297-5	
5.52	4.01	8.02	2.00	4.00	8.41	2.2	4.4	12	5-1445297-4	
4.72	3.61	7.22	1.60	3.20	7.61	1.8	3.6	10	5-1445297-3	
3.92	3.21	6.42	1.20	2.40	6.81	1.4	2.8	8	5-1445297-2	
3.12	2.81	5.62	0.80	1.60	6.01	1.0	2.0	6	5-1445297-1	
16.72	9.61	19.22	7.60	15.20	19.61	7.8	15.6	40	1-1445297-8	
15.92	9.21	18.42	7.20	14.40	18.81	7.4	14.8	38	1-1445297-7	
15.12	8.81	17.62	6.80	13.60	18.01	7.0	14.0	36	1-1445297-6	
14.32	8.41	16.82	6.40	12.80	17.21	6.6	13.2	34	1-1445297-5	
13.52	8.01	16.02	6.00	12.00	16.41	6.2	12.4	32	1-1445297-4	
12.72	7.61	15.22	5.60	11.20	15.61	5.8	11.6	30	1-1445297-3	
11.92	7.21	14.42	5.20	10.40	14.81	5.4	10.8	28	1-1445297-2	
11.12	6.81	13.62	4.80	9.60	14.01	5.0	10.0	26	1-1445297-1	
10.32	6.41	12.82	4.40	8.80	13.21	4.6	9.2	24	1-1445297-0	
9.52	6.01	12.02	4.00	8.00	12.41	4.2	8.4	22	1445297-9	
8.72	5.61	11.22	3.60	7.20	11.61	3.8	7.6	20	1445297-8	
7.92	5.21	10.42	3.20	6.40	10.81	3.4	6.8	18	1445297-7	
7.12	4.81	9.62	2.80	5.60	10.01	3.0	6.0	16	1445297-6	
6.32	4.41	8.82	2.40	4.80	9.21	2.6	5.2	14	1445297-5	
5.52	4.01	8.02	2.00	4.00	8.41	2.2	4.4	12	1445297-4	
4.72	3.61	7.22	1.60	3.20	7.61	1.8	3.6	10	1445297-3	
3.92	3.21	6.42	1.20	2.40	6.81	1.4	2.8	8	1445297-2	
3.12	2.81	5.62	0.80	1.60	6.01	1.0	2.0	6	1445297-1	

12 SUPERCEDED BY 6-1445297-3

THIS DRAWING IS A CONTROLLED DOCUMENT. DWG: R.L.KOLLER 14MAY2001  
 CHK: L.BREKOSKY 07AUG2001  
 APVD: L.BREKOSKY

DIMENSIONS: mm  
 TOLERANCES UNLESS OTHERWISE SPECIFIED:  
 0 PLC ±0.2  
 1 PLC ±0.25  
 2 PLC ±0.3  
 3 PLC ±0.38  
 4 PLC ±0.45  
 ANGLES ±0.1°

MATERIAL: SEE TABLE  
 FINISH: SEE TABLE

Customer Drawing

NAME: AMPMODU MICRO INTERCONNECT RECEPTACLE ASSEMBLY, RIGHT ANGLE  
 SIZE: A1  
 CAGE CODE: -  
 DRAWING NO: C=1445297  
 SCALE: 20:1  
 SHEET: 1 OF 1  
 REV: B

TE Connectivity

## X-ON Electronics

Largest Supplier of Electrical and Electronic Components

*Click to view similar products for [D-Sub Micro-D Connectors](#) category:*

*Click to view products by [TE Connectivity](#) manufacturer:*

Other Similar products are found below :

[89076GBEPR](#) [M2430815F](#) [M243082311F](#) [M2430833F](#) [M2430834F](#) [M24308/4-6F](#) [65-1920-15](#) [M83513/01-HN](#) [M83513/03-A10N](#)  
[M83513/03-B14C](#) [M83513/03-D09C](#) [M83513/03-D11N](#) [M83513/03-G02N](#) [M83513/03-G05N](#) [M83513/03-G08C](#) [M83513/03-G09N](#)  
[M83513/03-G12N](#) [M83513/03-H13N](#) [M83513/04-E15N](#) [M83513/04-G04C](#) [M83513/10-E01NP](#) [M83513/13-B01NP](#) [M83513/13-C01NN](#)  
[M83513/16-A01CP](#) [M83513/22-D01NP](#) [M83513/25-B01NP](#) [6R2004A30F015](#) [6R4006A28A120](#) [703006A13F060](#) [704002A03F200](#)  
[705001A13F120](#) [7-1532020-5](#) [748567-1-P](#) [MDM-15PCBRM7T](#) [MDM-15PH003B-A174](#) [MDM-15PH034B](#) [MDM-15SH004B](#) [MDM-](#)  
[21PH003K](#) [MDM-21PH003P](#) [MDM-25PH003B-A174](#) [MDM-9PH003M7](#) [MDM-9SH006B](#) [773030D02F030](#) [790-024PA-5MS](#) [790-024PB-](#)  
[9ML](#) [790-027SH-10P4MEP](#) [790-041PJ-25P2MPA](#) [791-004SH-66MSA](#) [7R3A00A19A1201](#) [7R3A04A19A120](#)