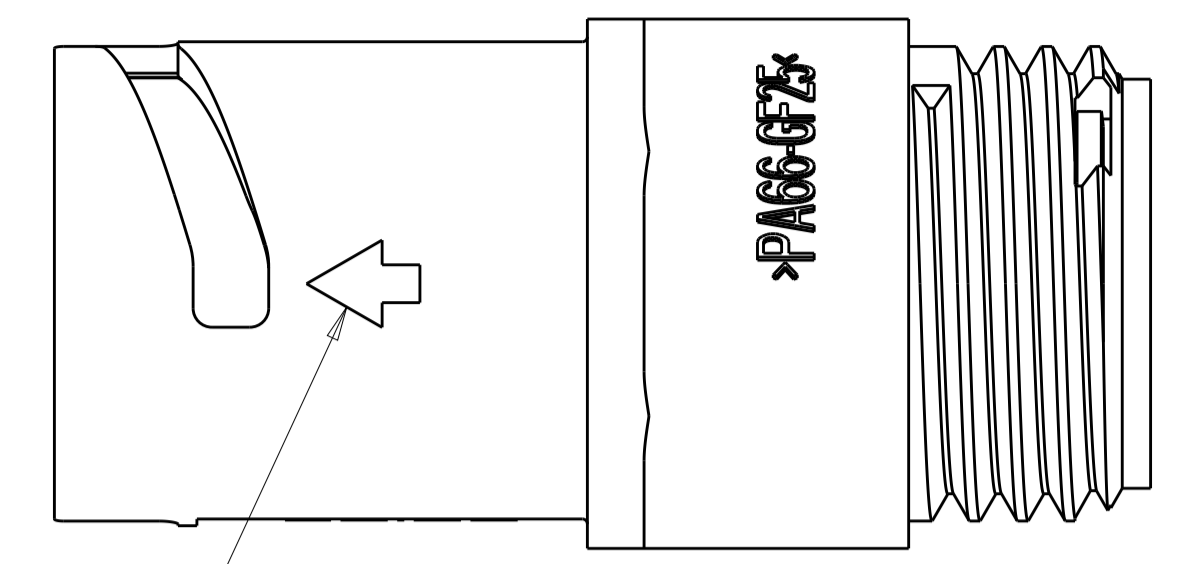
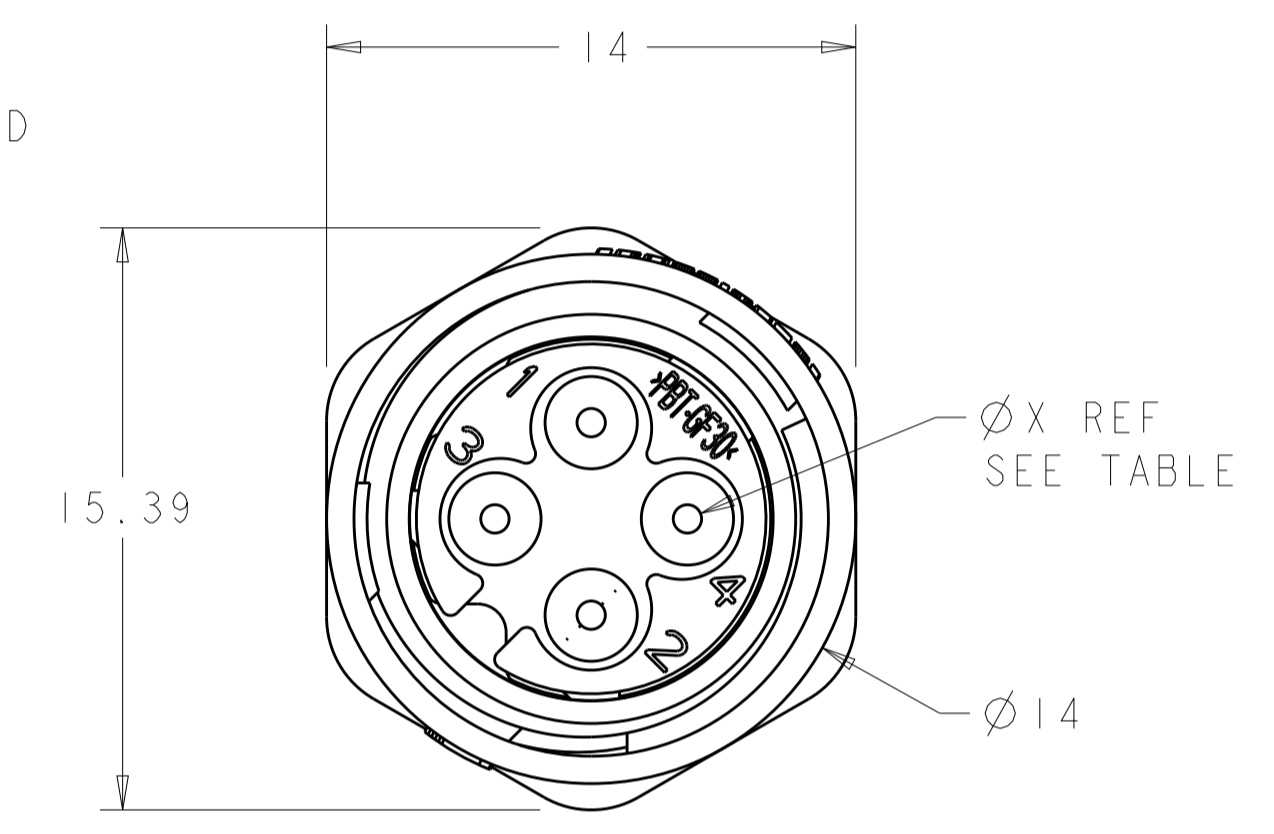
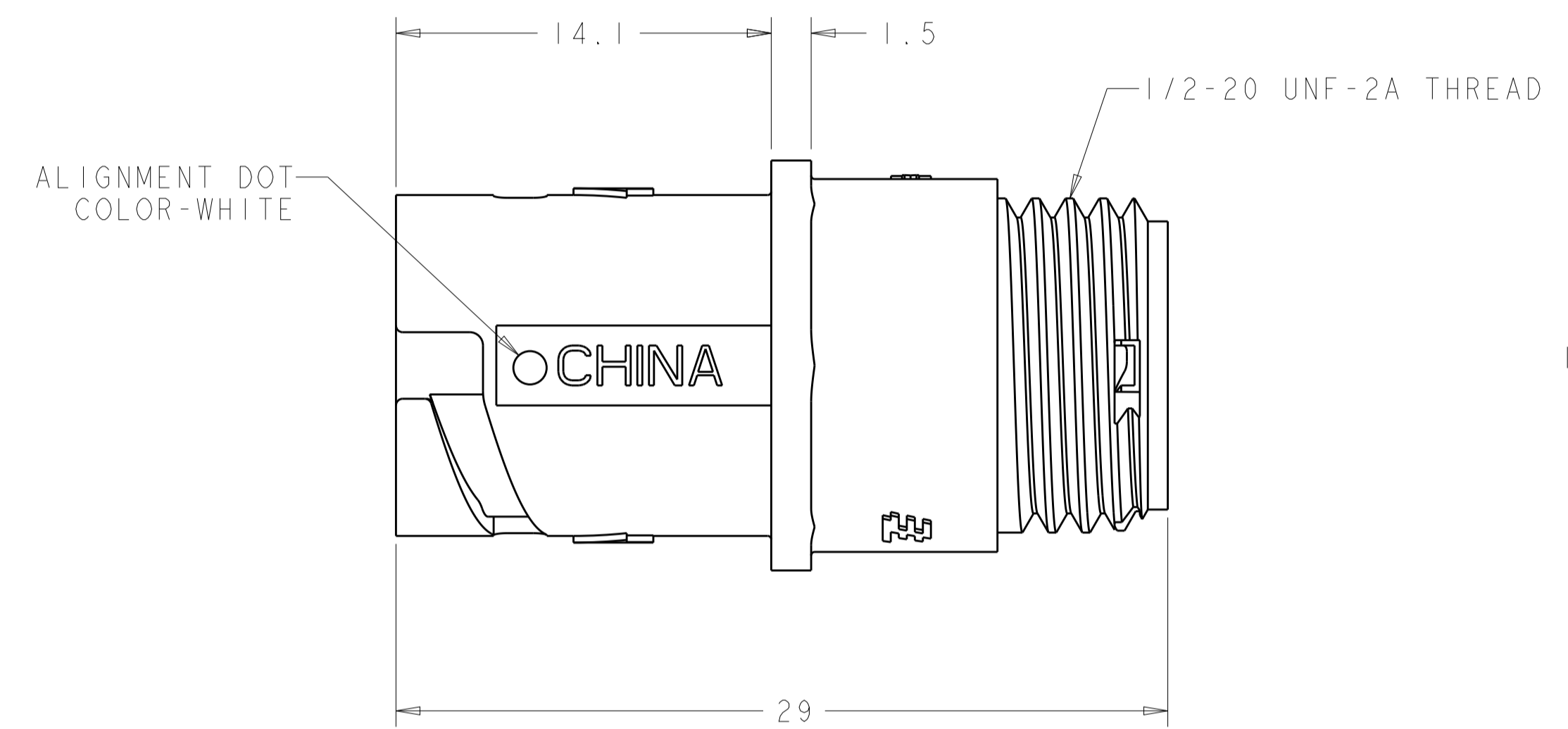
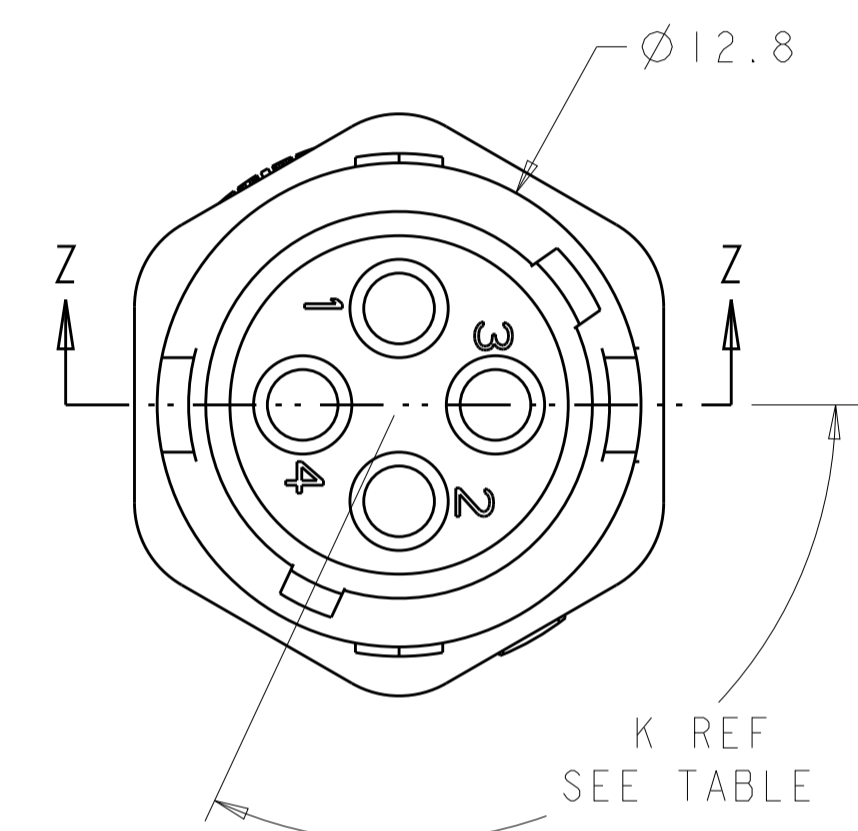


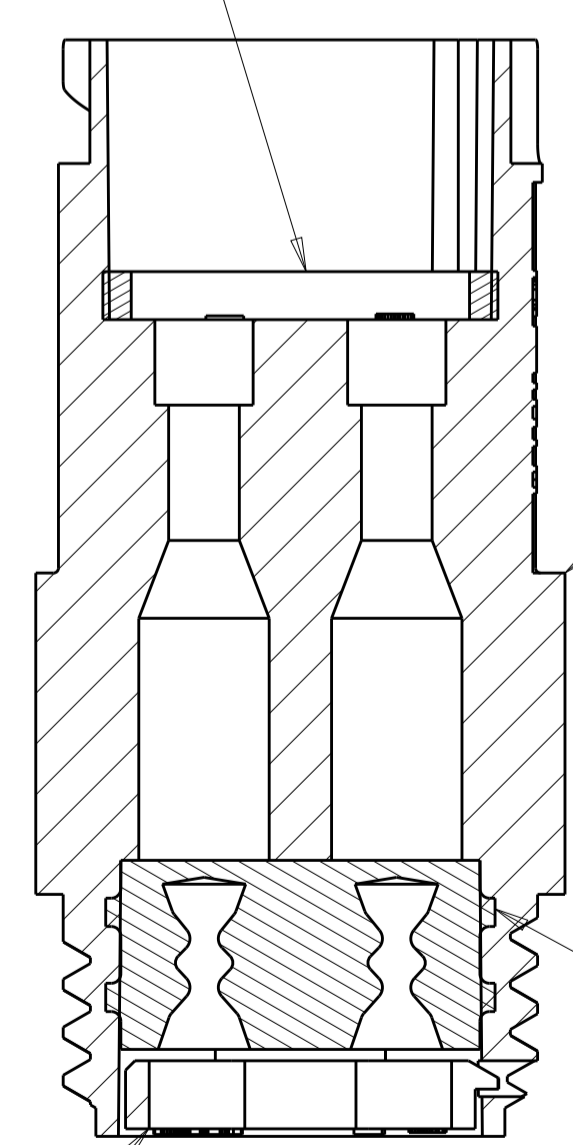
REVISIONS				
P.	LTN	DESCRIPTION	DATE	OWN APVD
B2		REVISED PER ECO-15-010004	11JUL2015	NK MZ
C		REVISED PER ECO-16-018352	23MAR2017	RS MZ



POSITIVE LOCK INDICATOR



SEAL, PERIPHERAL, 1 REQD
 MATERIAL: ELASTOMER, COLOR-GRAY



HOUSING, 1 REQD
 MATERIAL: THERMOPLASTIC, COLOR-BLACK

SEAL, WIRE ENTRY, 1 REQD
 MATERIAL: ELASTOMER, COLOR-SEE TABLE

RETAINER, SEAL, 1 REQD
 MATERIAL: THERMOPLASTIC, COLOR-BLACK

SECTION Z-Z

OBSELETE	YELLOW	Ø 0.75	130°	1445389-04
	NATURAL	Ø 1.5	115°	1445389-03
OBSELETE	NATURAL	Ø 1.5	130°	1445389-02
	YELLOW	Ø 0.75	115°	1445389-01
	SEAL WIRE ENTRY COLOR	Ø X REF	K REF	PART NUMBER

THIS DRAWING IS A CONTROLLED DOCUMENT.

DIMENSIONS:	TOLERANCES UNLESS OTHERWISE SPECIFIED:	OWN: G. DOUTY 01MAR2001	
mm	0 PLC ±	CHK: H. WAKEEM 12JUN2003	
	1 PLC ±	APVD: H. WAKEEM 12JUN2003	NAME: ASSEMBLY, RECEPTACLE, SIZE 8, 4 POSITION, FREE HANGING, SEALED, MINI CPC
	2 PLC ±		SIZE: CAGE CODE DRAWING NO. RESTRICTED TO
	3 PLC ±		A100779C=1445389
	4 PLC ±0.13		SCALE: 5:1 SHEET 1 OF 1 REV C
	ANGLES ±		
MATERIAL: SEE CALLOUT	FINISH: SEE CALLOUT	WEIGHT: -	CUSTOMER DRAWING

X-ON Electronics

Largest Supplier of Electrical and Electronic Components

Click to view similar products for [Standard Circular Connector](#) category:

Click to view products by [TE Connectivity](#) manufacturer:

Other Similar products are found below :

[5M2530B10P](#) [600259N006](#) [600273N007](#) [6134-336-13149](#) [6134-337-11149](#) [6134-337-2390](#) [6134-341-17149](#) [6280-4SG-516](#) [6280-7SG-3DC6290](#) [6291A](#) [66200A-10](#) [680-SMG](#) [681-PMG](#) [CXS3102A14S2P](#) [CXS3102A181S](#) [7251-5SG-300](#) [7271-6SG-300](#) [7282-3PG-300-CH3](#) [75-474618-01S](#) [75-474618-04P](#) [75-474618-04S](#) [799539-000](#) [MI8-SE](#) [805-005-07NF11-19PC](#) [805-005-07NF15-7PA](#) [8280-4PG-516](#) [8280-7PG-519](#) [8282-5PG-519](#) [836783-1](#) [MP-4102-25P-C](#) [862256-1](#) [864019-2](#) [866857-1](#) [867865-1](#) [PT01SP-14-18P](#) [PT08P-14-5S](#) [PTSF06SE-14-12S120-1833-000](#) [QCM019PC2DC012B](#) [1-2069279-1](#) [121583-0217](#) [121667-0020](#) [129591AU](#) [1000B BULK](#) [RD10A16-19-P6CS051/1](#)
[RD10A20-31-P8CS051/1](#) [RD16A14-12-S6CS051/2](#) [1301240290](#) [1301240347](#) [1301860202](#)