

THIS DRAWING IS UNPUBLISHED.

RELEASED FOR PUBLICATION

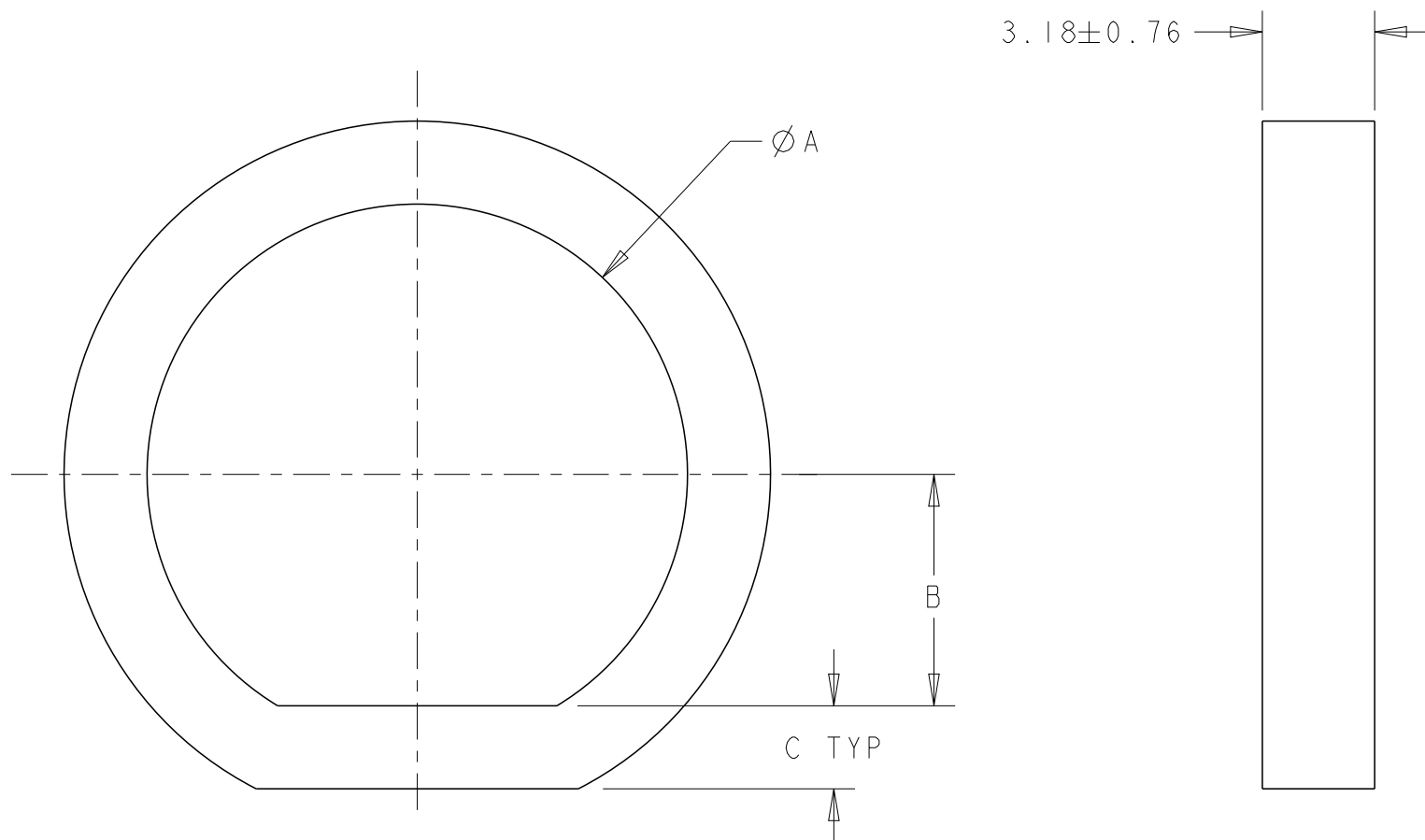
20

© COPYRIGHT 20 BY -

ALL RIGHTS RESERVED.

REVISIONS


P	LTR	DESCRIPTION	DATE	DWN	APVD
	C2	REVISED PER ECO-11-005140	19APR11	RK	HMR
	D	REVISED PER ECO-17-004650	06APR2017	BDA	MZ



1 MATERIAL: NEOPRENE CLOSED CELL SPONGE, COLOR-BLACK.

2 OBSOLETE PARTS: OBSOLETE CIS STREAMLINING PER D.RENAUD/D.SINISI

	OBSOLETE	1.50	6.55	15.3	1445420-8
	OBSOLETE	2.35	10.5	23.1	1445420-7
2	OBSOLETE	2.35	5.25	12.5	1445420-6
	OBSOLETE	2.35	6.0	14.0	1445420-5
2	OBSOLETE	2.35	4.2	9.25	1445420-4
	OBSOLETE	2.35	4.5	10.9	1445420-3
		2.35	8.5	18.5	1445420-2
		2.35	6.55	15.3	1445420-1
		C	B	A	PART NUMBER

THIS DRAWING IS A CONTROLLED DOCUMENT.		DWN G DOUTY 04JUN2003	 TE Connectivity		
DIMENSIONS: mm		CHK H.WALEEM 18JUL2003			
TOLERANCES UNLESS OTHERWISE SPECIFIED:		APVD H.WAKEEM 18JUL2003	NAME SEAL, PANEL		
0 PLC ±0 1 PLC ±0.51 2 PLC ±0.51 3 PLC ± 4 PLC ± ANGLES ± FINISH -		PRODUCT SPEC -	RESTRICTED TO -		
MATERIAL 1		APPLICATION SPEC -	SIZE A3	CAGE CODE 00779	DRAWING NO C-1445420
		WEIGHT -	SCALE 5:1		SHEET 1 OF 1
		CUSTOMER DRAWING	REV D		

X-ON Electronics

Largest Supplier of Electrical and Electronic Components

Click to view similar products for [Standard Circular Connector](#) category:

Click to view products by [TE Connectivity](#) manufacturer:

Other Similar products are found below :

[5M2530B10P](#) [600259N006](#) [600273N007](#) [6134-336-13149](#) [6134-337-11149](#) [6134-337-2390](#) [6134-341-17149](#) [6280-4SG-516](#) [6280-7SG-3DC](#)
[6290](#) [6291A](#) [66200A-10](#) [680-SMG](#) [681-PMG](#) [CXS3102A14S2P](#) [CXS3102A181S](#) [7251-5SG-300](#) [7271-6SG-300](#) [7282-3PG-300-CH3](#) [75-](#)
[474618-01S](#) [75-474618-04P](#) [75-474618-04S](#) [799539-000](#) [MI8-SE](#) [805-005-07NF11-19PC](#) [805-005-07NF15-7PA](#) [8280-4PG-516](#) [8280-7PG-](#)
[519](#) [8282-5PG-519](#) [836783-1](#) [MP-4102-25P-C](#) [862256-1](#) [864019-2](#) [866857-1](#) [867865-1](#) [PT01SP-14-18P](#) [PT08P-14-5S](#) [PTSF06SE-14-12S](#)
[120-1833-000](#) [QCM019PC2DC012B](#) [1-2069279-1](#) [121583-0217](#) [121667-0020](#) [129591AU](#) [1000B BULK](#) [RD10A16-19-P6CS051/1](#)
[RD10A20-31-P8CS051/1](#) [RD16A14-12-S6CS051/2](#) [1301240290](#) [1301240347](#) [1301860202](#)