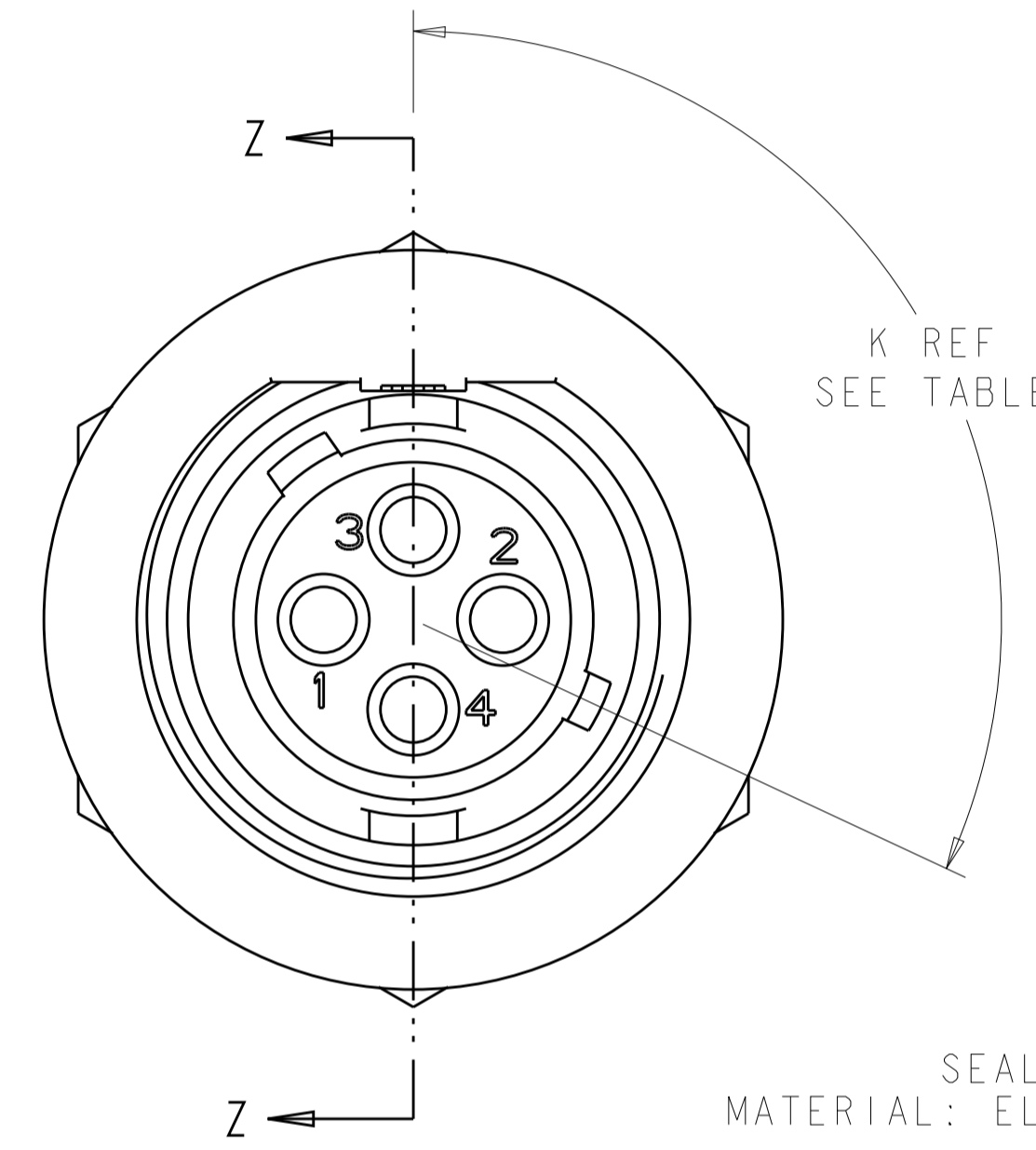
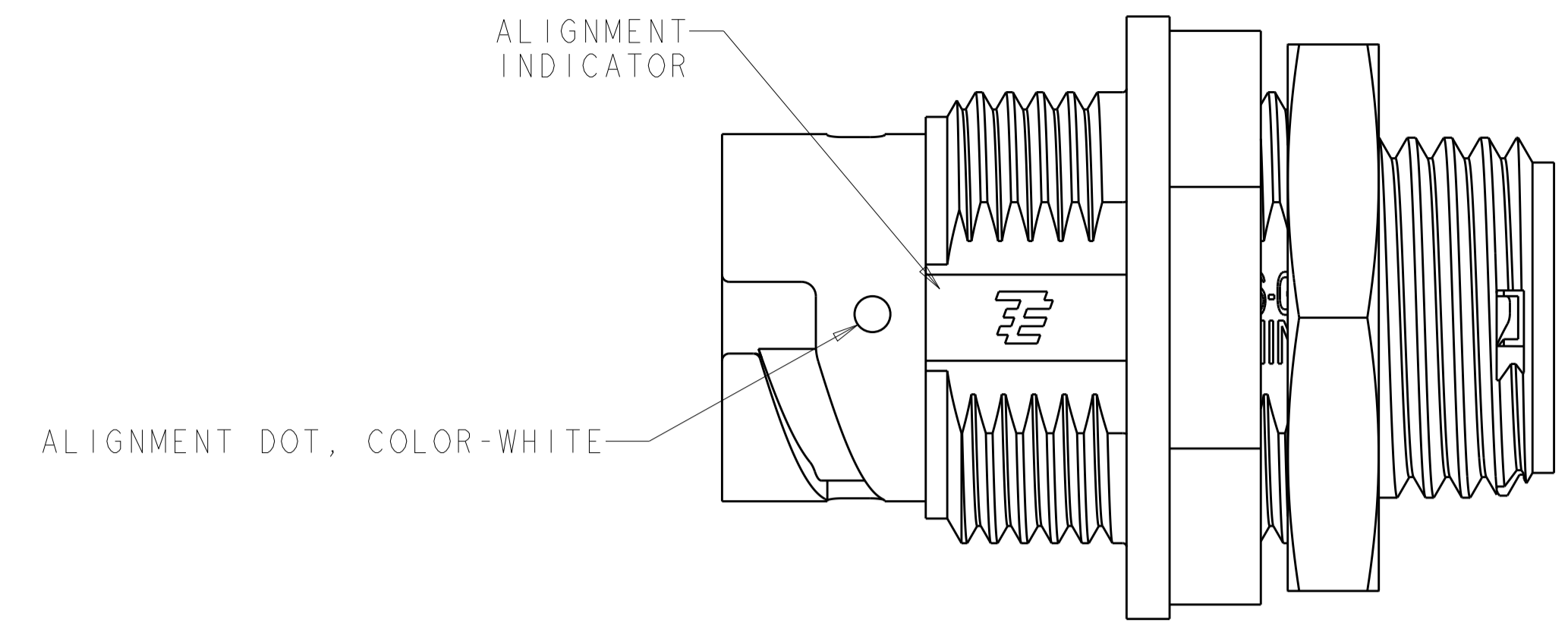
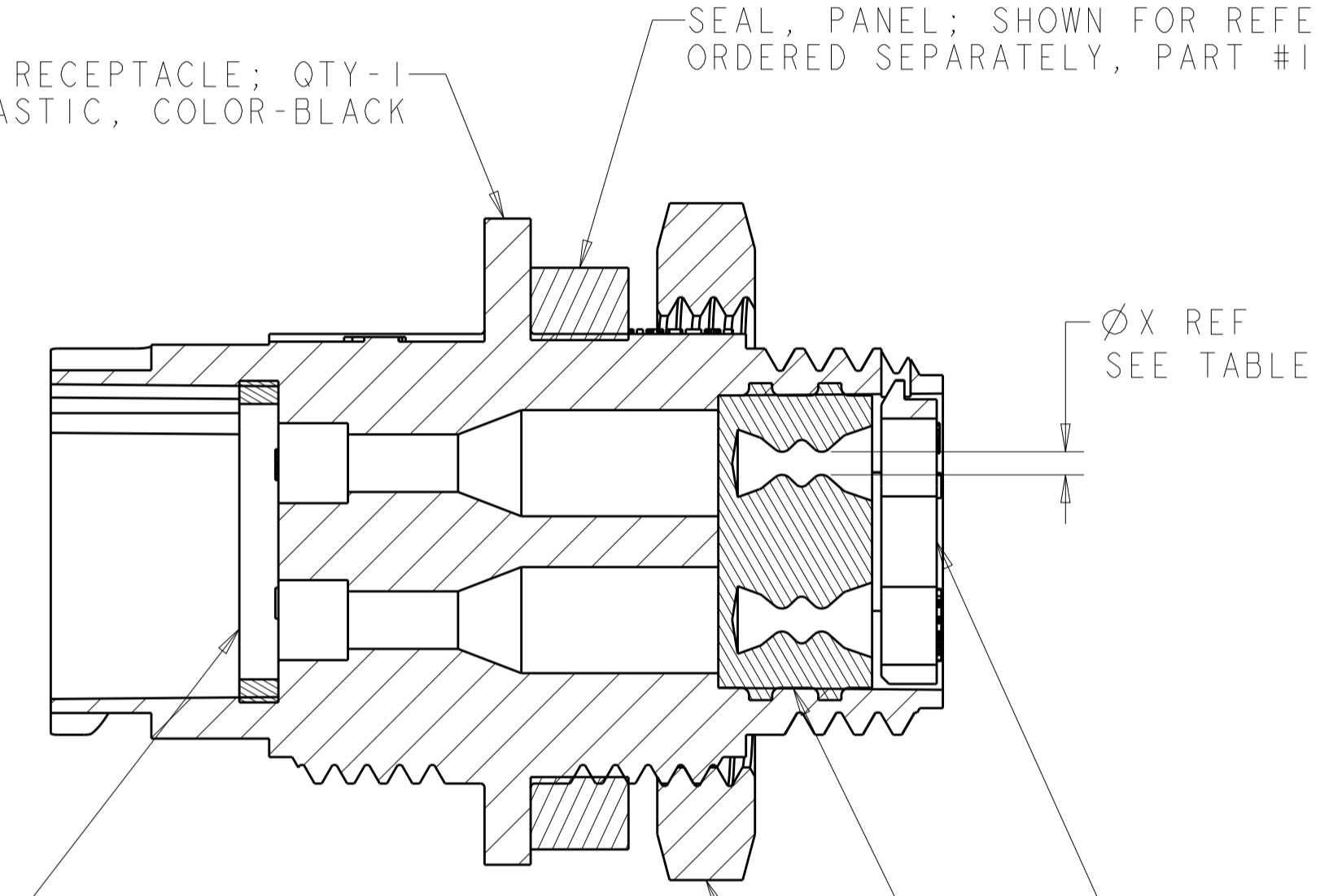


LOC		DIST		REVISIONS			
FT	0	P	LTH	DESCRIPTION	DATE	DWN	APVD
		B3		REVISED PER ECO-15-010004	13JUL2015	NK	MZ
		C		REVISED PER ECO-17-004650	06APR2017	BDA	MZ



HOUSING, RECEPTACLE; QTY-1
 MATERIAL: THERMOPLASTIC, COLOR-BLACK

SEAL, PANEL; SHOWN FOR REFERENCE ONLY, TO BE ORDERED SEPARATELY, PART #1445420-01

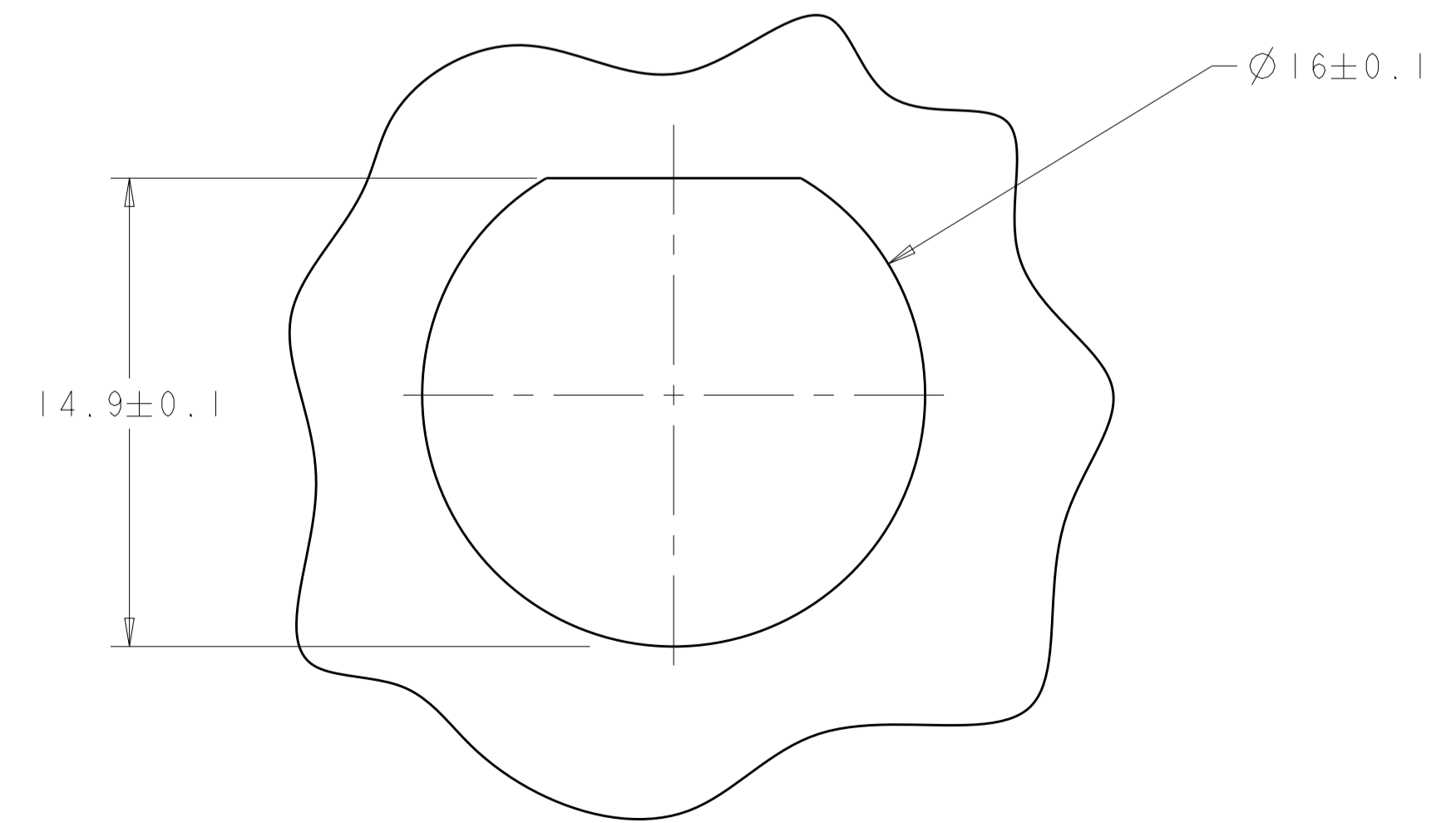
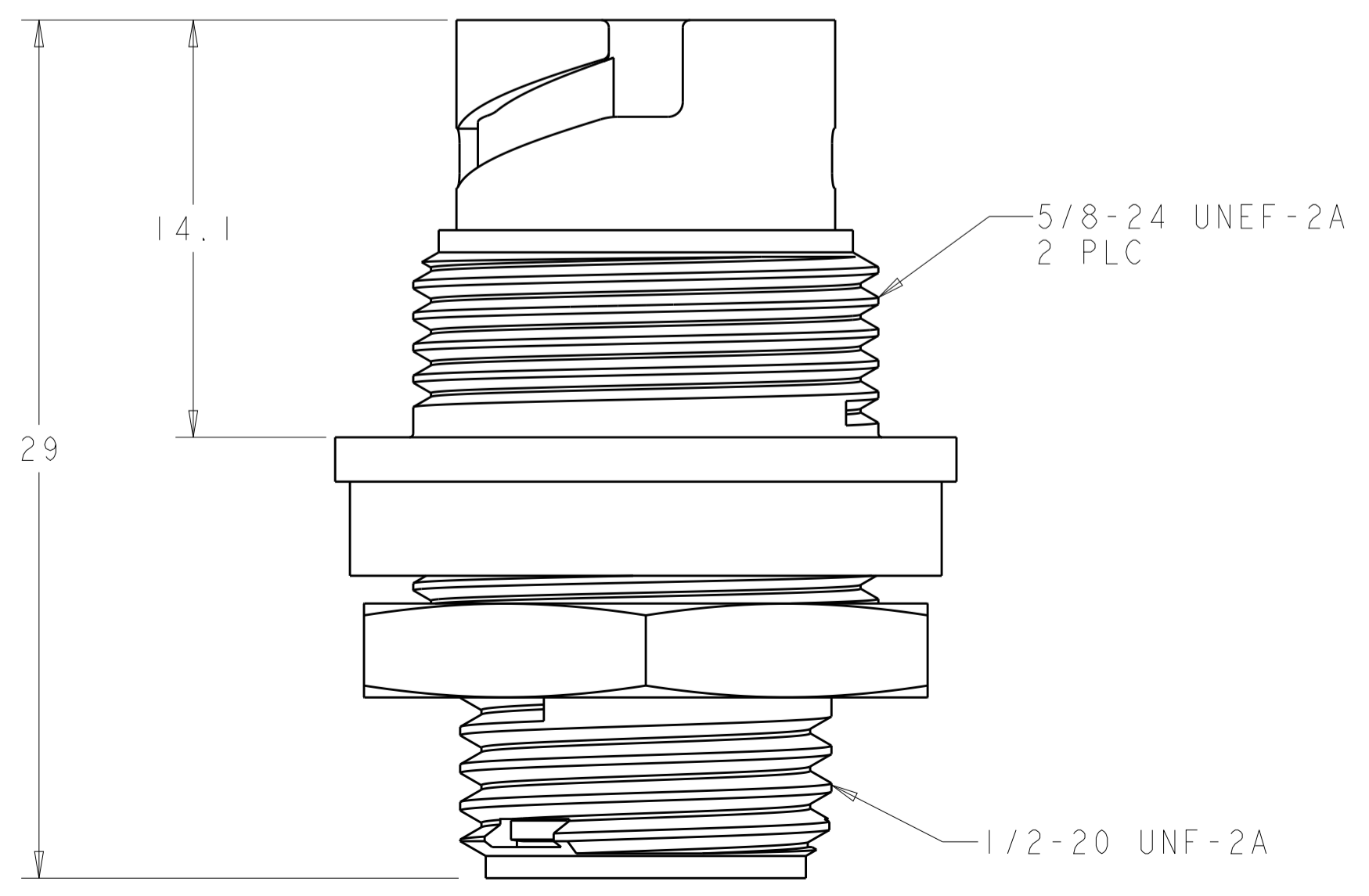
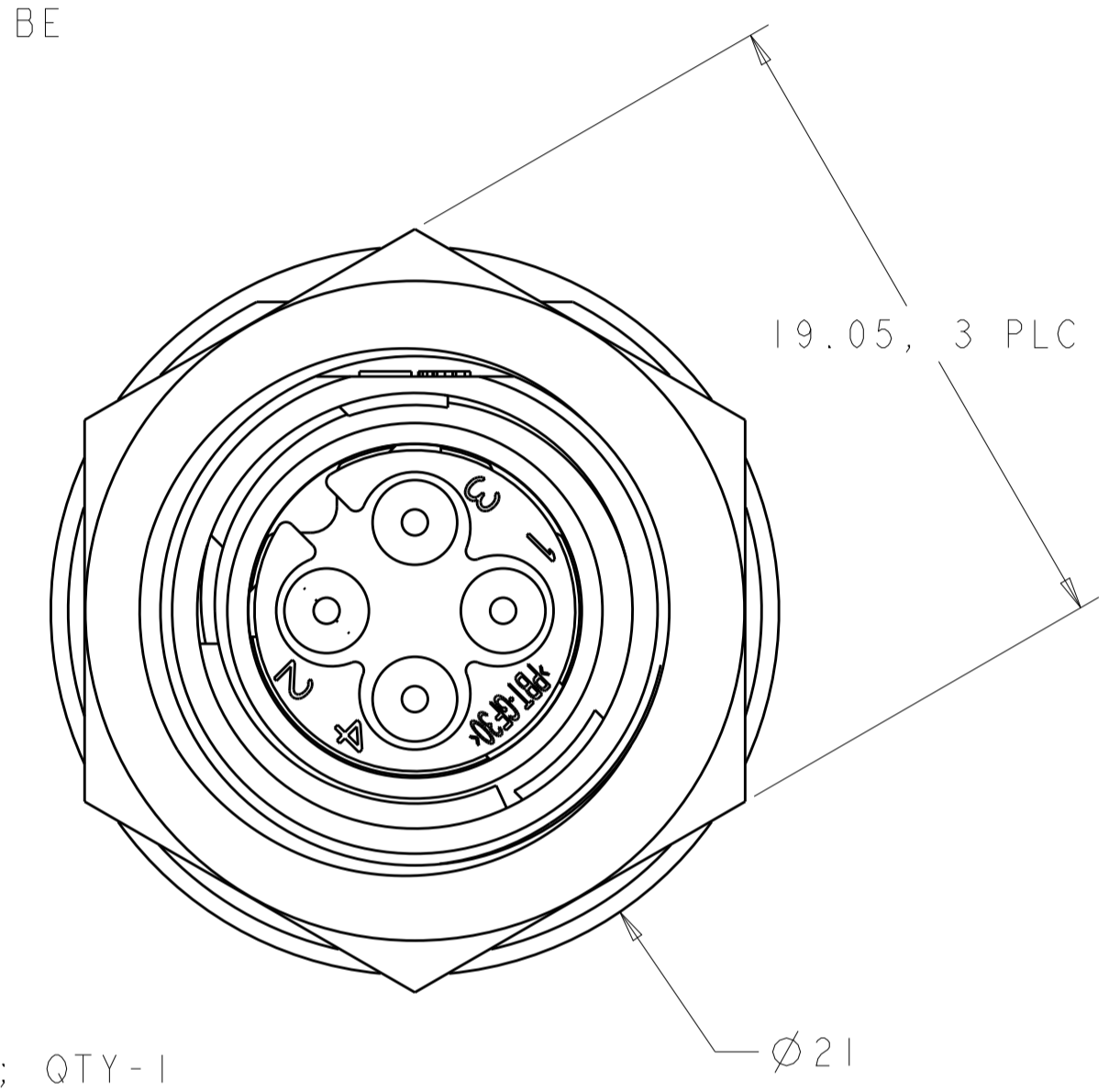


SEAL, PERIPHERAL; QTY-1
 MATERIAL: ELASTOMER, COLOR-GRAY

PLATE, SEAL RETENTION; QTY-1
 MATERIAL: THERMOPLASTIC, COLOR-BLACK

SEAL, WIRE ENTRY; QTY-1
 MATERIAL: ELASTOMER, COLOR-SEE TABLE

NUT, JAM; SHOWN FOR REFERENCE ONLY, TO BE ORDERED SEPARATELY, PART # 1604196-1



SUGGESTED PANEL CUTOUT Δ

1. CONNECTOR CAN BE FRONT OR REAR PANEL MOUNTED.
 Δ MAX PANEL THICKNESS - 3.18.

OBSOLETE	YELLOW	Ø0.75	130°	1445421-04
	NATURAL	Ø1.5	115°	1445421-03
OBSOLETE	NATURAL	Ø1.5	130°	1445421-02
	YELLOW	Ø0.75	115°	1445421-01
	SEAL, WIRE ENTRY COLOR	ØX REF	K REF	PART NUMBER

THIS DRAWING IS A CONTROLLED DOCUMENT.		DWN G. DOUTY 07MAR2001	TE Connectivity	
DIMENSIONS:		CHK H. WAKEEM 12JUN2003		
mm	TOLERANCES UNLESS OTHERWISE SPECIFIED:	APVD H. WAKEEM 12JUN2003	NAME ASSEMBLY, RECEPTACLE, SIZE 8, 4 POSITION, PANEL MOUNT, MINI CPC	
0 PLC ±	1 PLC ±0.13	PRODUCT SPEC	SIZE CAGE CODE DRAWING NO RESTRICTED TO	
2 PLC ±	3 PLC ±	APPLICATION SPEC	A100779C=1445421	
4 PLC ±	ANGLES ±	WEIGHT	SCALE 5:1 SHEET 1 OF 1 REV C	
MATERIAL SEE CALLOUT	FINISH	CUSTOMER DRAWING		

X-ON Electronics

Largest Supplier of Electrical and Electronic Components

Click to view similar products for [Standard Circular Connector](#) category:

Click to view products by [TE Connectivity](#) manufacturer:

Other Similar products are found below :

[5M2530B10P](#) [600259N006](#) [600273N007](#) [6134-336-13149](#) [6134-337-11149](#) [6134-337-2390](#) [6134-341-17149](#) [6280-4SG-516](#) [6280-7SG-3DC](#)
[6290](#) [6291A](#) [66200A-10](#) [680-SMG](#) [681-PMG](#) [CXS3102A14S2P](#) [CXS3102A181S](#) [7251-5SG-300](#) [7271-6SG-300](#) [7282-3PG-300-CH3](#) [75-](#)
[474618-01S](#) [75-474618-04P](#) [75-474618-04S](#) [799539-000](#) [MI8-SE](#) [805-005-07NF11-19PC](#) [805-005-07NF15-7PA](#) [8280-4PG-516](#) [8280-7PG-](#)
[519](#) [8282-5PG-519](#) [836783-1](#) [MP-4102-25P-C](#) [862256-1](#) [864019-2](#) [866857-1](#) [867865-1](#) [PT01SP-14-18P](#) [PT08P-14-5S](#) [PTSF06SE-14-12S](#)
[120-1833-000](#) [QCM019PC2DC012B](#) [1-2069279-1](#) [121583-0217](#) [121667-0020](#) [129591AU](#) [1000B BULK](#) [RD10A16-19-P6CS051/1](#)
[RD10A20-31-P8CS051/1](#) [RD16A14-12-S6CS051/2](#) [1301240290](#) [1301240347](#) [1301860202](#)