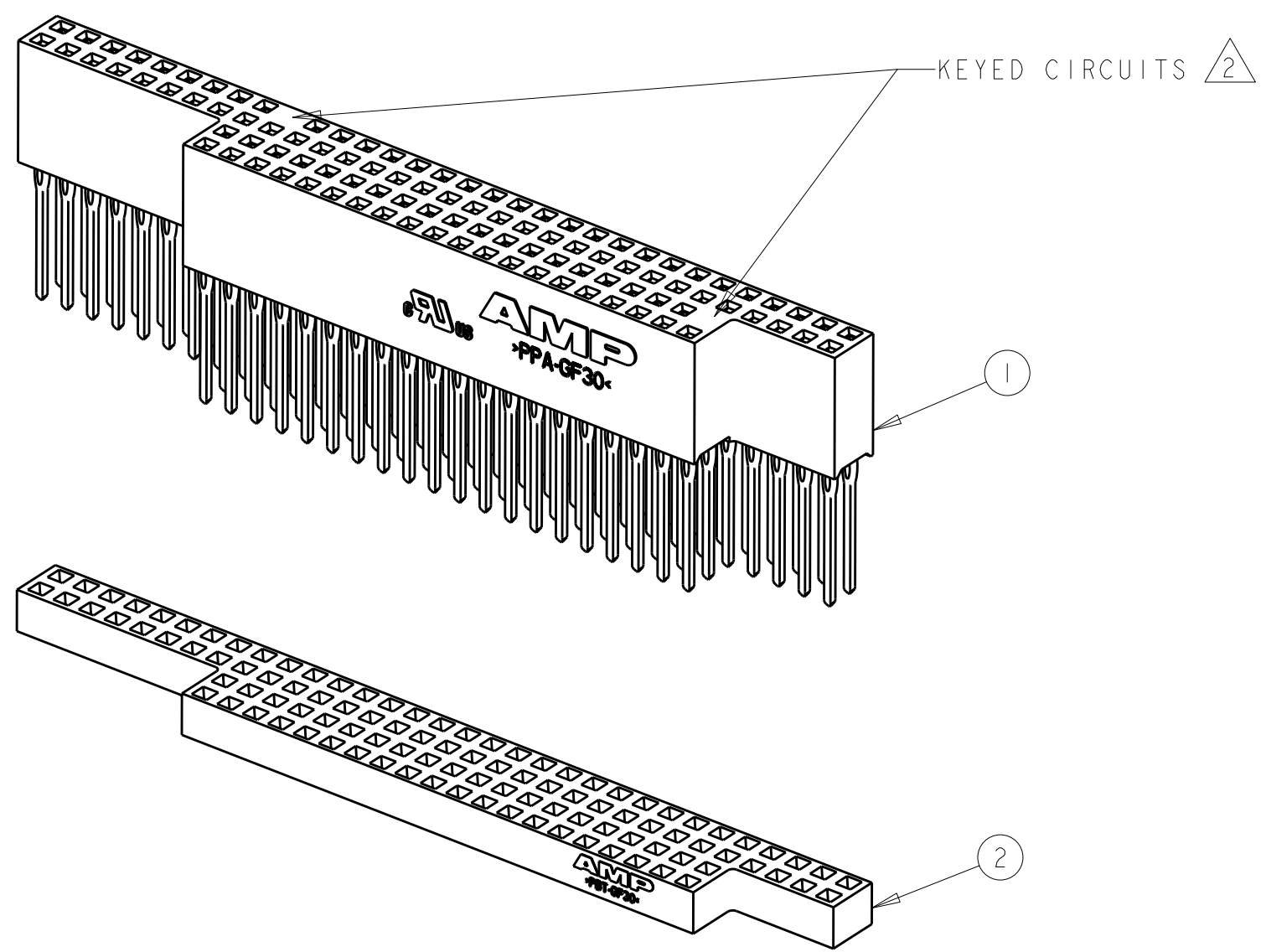


THIS DRAWING IS UNPUBLISHED. RELEASED FOR PUBLICATION 20
 © COPYRIGHT 20 BY TYCO ELECTRONICS CORPORATION. ALL RIGHTS RESERVED.

LOC	DIST	REVISIONS					
		P	LTR	DESCRIPTION	DATE	DWN	APVD
AD	00		O	REV PER EC 0G3C-0183-01	13JUN2001	MB	JO
			A	REV PER EC 0G3C-313-04	26AUG04	MB	JO
			B	0G3C-0184-05	31AUG2005	RB	JO
			BI	REVISED PER ECO-09-025699	08DEC2009	KK	AEG



- 1. COMPONENTS BULK PACKAGED.
- 2. 1445441-1 & -3 (AS SHOWN) KEYED VERSION PER PC104 SPECIFICATION.
- 3. 1445441-2 & -4 UNKEYED VERSION.
- 4. ROHS 2002/95/EC COMPLIANT PART TO BE USED WITH ROHS 2002/95/EC COMPLIANT PCB'S.
- 5. OBSOLETE PARTS: OBSOLETE CIS STREAMLINING PER D.RENAUD/D.SINISI

4 3	OBSOLETE	1445251-1	1375795-4	1445441-4		
4 2	OBSOLETE	1445251-1	1375795-3	1445441-3		
		3	1445251-1	1375795-2	1445441-2	
		2	1445251-1	1375795-1	1445441-1	
		2	ORGANIZER QTY = 1	1	CONNECTOR ASSY QTY = 1	PART NUMBER

<small>THIS DRAWING IS A CONTROLLED DOCUMENT FOR TYCO ELECTRONICS CORPORATION IT IS SUBJECT TO CHANGE AND THE CONTROLLING ENGINEERING ORGANIZATION SHOULD BE CONTACTED FOR THE LATEST REVISION.</small>		DWN R BROWN 29MAR2001 CHK J OLSON 29MAR2001 APVD J OLSON 29MAR2001		Tyco Electronics Corporation Harrisburg, PA 17105-3608	
DIMENSIONS: mm 		TOLERANCES UNLESS OTHERWISE SPECIFIED: 0 PLC ±- 1 PLC ±0.5 2 PLC ±0.13 3 PLC ±0.013 4 PLC ±0.0001 ANGLES ±-		NAME KIT, PC/104 ASSEMBLY, NO STANDOFFS W/ORGANIZER	
MATERIAL - FINISH -		PRODUCT SPEC 108-1956 APPLICATION SPEC 114-13021 WEIGHT -		SIZE A3 CAGE CODE 00779 C=1445441 RESTRICTED TO -	
CUSTOMER DRAWING				SCALE 2:1 SHEET 1 OF 1 REV BI	

X-ON Electronics

Largest Supplier of Electrical and Electronic Components

Click to view similar products for [PC/104 Connectors](#) category:

Click to view products by [TE Connectivity](#) manufacturer:

Other Similar products are found below :

[ESQ-106-14-T-S](#) [ESQ-110-24-T-D](#) [4P02-2D02-DA](#) [10153301-32111LF](#) [10153301-20111LF](#) [10153301-20211LF](#) [10153301-32211LF](#)
[10153302-32111LF](#) [10153302-20111LF](#) [10153302-20211LF](#) [10153302-32211LF](#) [10153303-30111LF](#) [10153304-30211LF](#) [10153305-](#)
[30211LF](#) [M20-6113245](#) [RM322-0802012900](#) [ESQ-103-23-L-S](#) [ESQ-105-44-G-S](#) [ESQ-106-23-S-D](#) [ESQ-106-44-S-D](#) [ESQ-107-12-L-D](#)
[ESQ-107-14-L-D](#) [ESQ-107-23-L-D](#) [ESQ-109-12-G-S](#) [ESQ-110-12-G-D](#) [ESQ-113-12-G-D](#) [ESQ-114-14-L-S](#) [ESQ-116-12-S-D](#) [ESQ-116-34-](#)
[G-D](#) [ESQ-117-14-G-D](#) [ESQ-117-23-T-D](#) [ESQ-118-13-G-D](#) [ESQ-120-12-T-D](#) [ESQ-120-48-G-D](#) [ESQ-120-49-G-D](#) [ESQ-130-12-G-D](#) [ESQ-](#)
[102-12-G-D](#) [ESQ-103-44-T-S](#) [ESQ-104-12-T-S](#) [ESQ-104-44-G-D](#) [ESQ-105-12-L-S](#) [ESQ-105-14-L-S](#) [ESQ-106-44-G-S](#) [ESQ-107-14-G-D](#)
[ESQ-108-14-L-S](#) [ESQ-108-44-S-S](#) [ESQ-110-14-G-D](#) [ESQ-110-23-L-S](#) [ESQ-111-12-G-D](#) [ESQ-113-44-H-D](#)