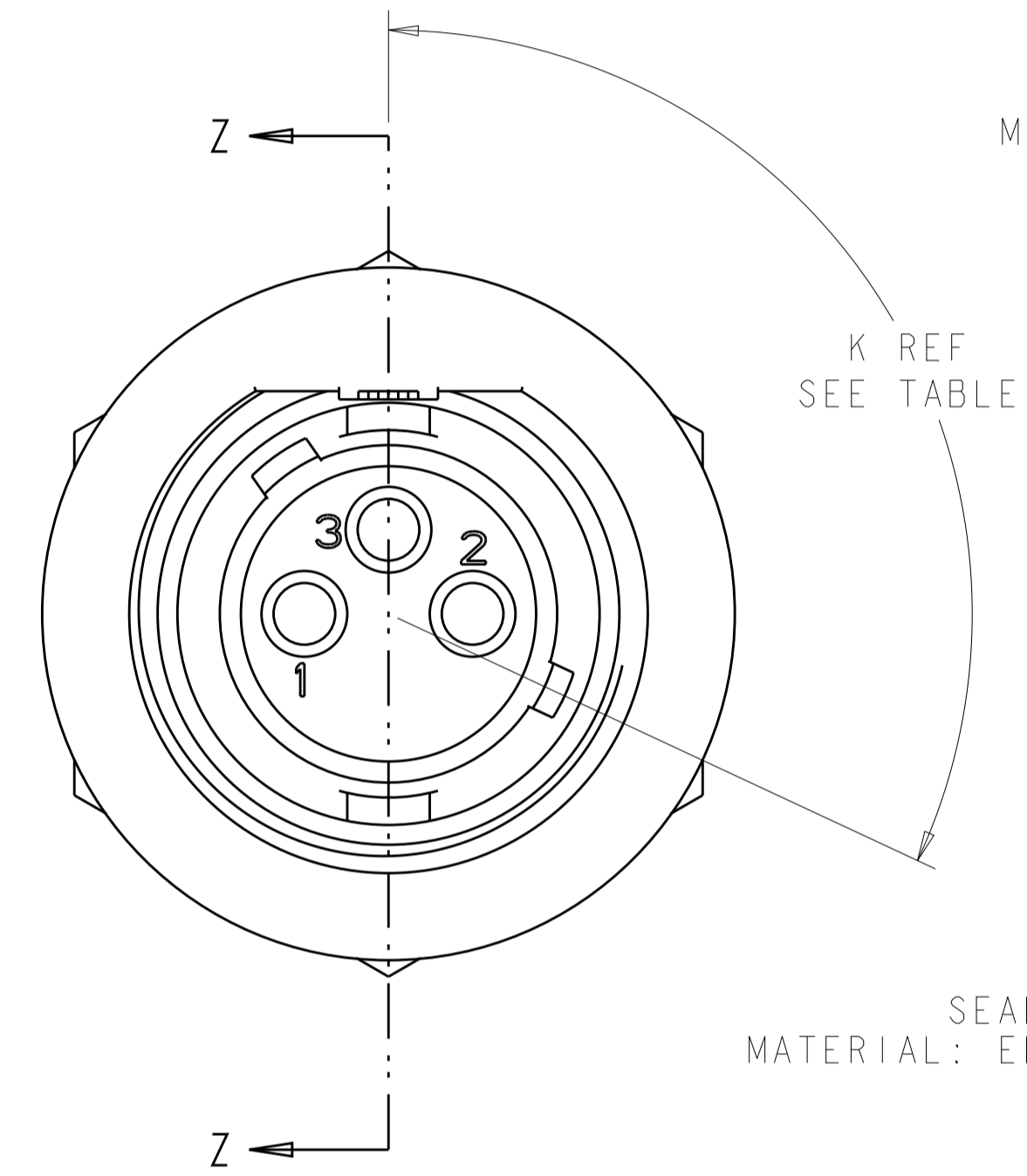
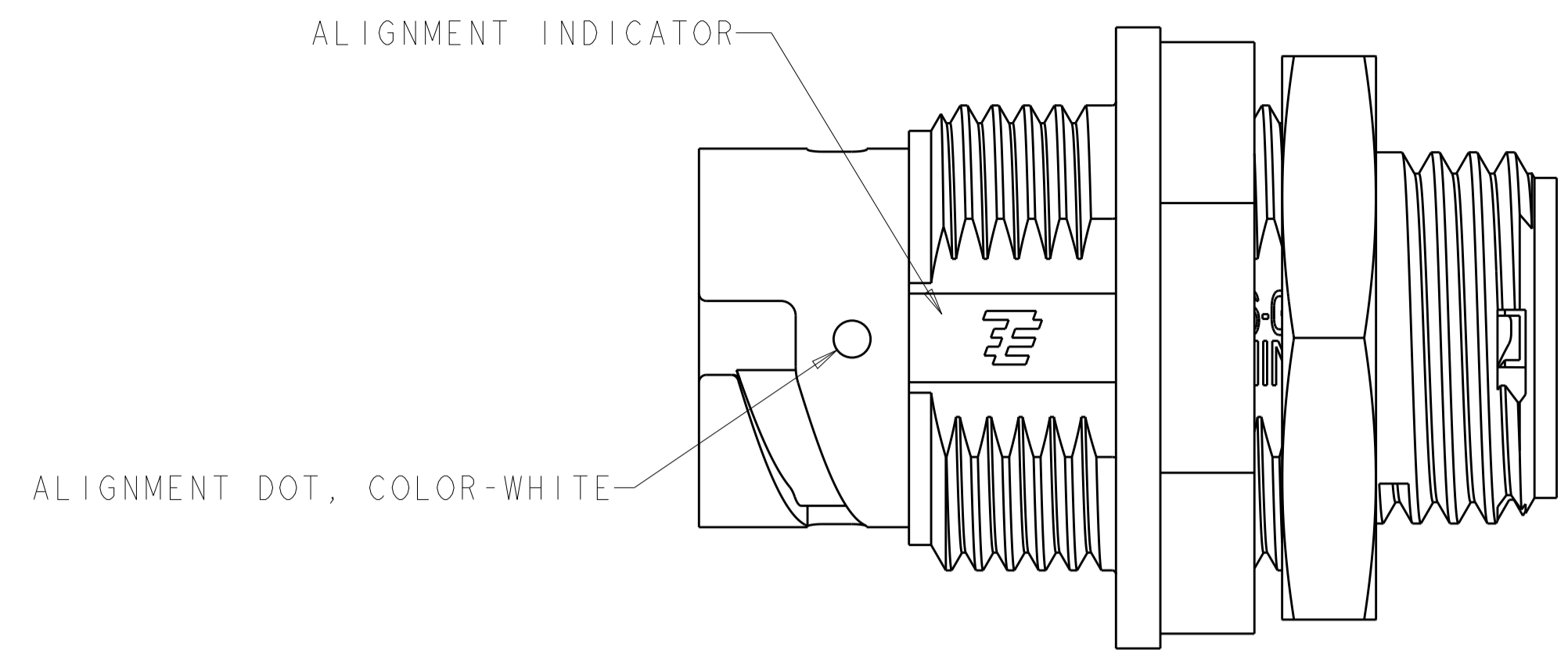
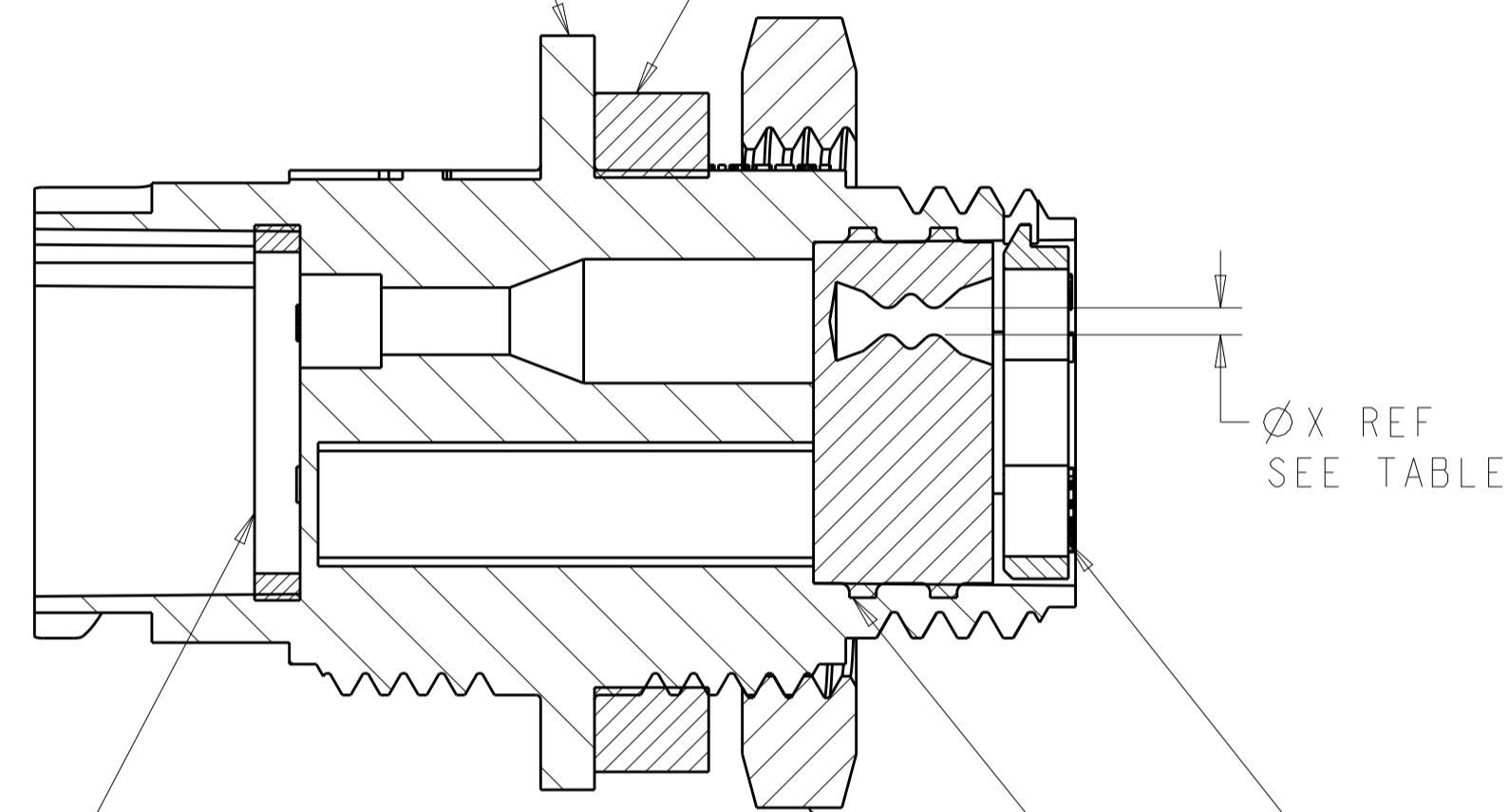


REVISIONS					
P.	LTM	DESCRIPTION	DATE	DWN	APVD
B3		REVISED PER ECO-15-010004	13JUL2015	NK	MZ
C		REVISED PER ECO-17-004650	06APR2017	BDA	MZ



HOUSING, RECEPTACLE, QTY-1  
 MATERIAL: THERMOPLASTIC, COLOR-BLACK

SEAL, PANEL; SHOWN FOR REFERENCE ONLY, TO BE ORDERED SEPARATELY, PART #1445420-01.

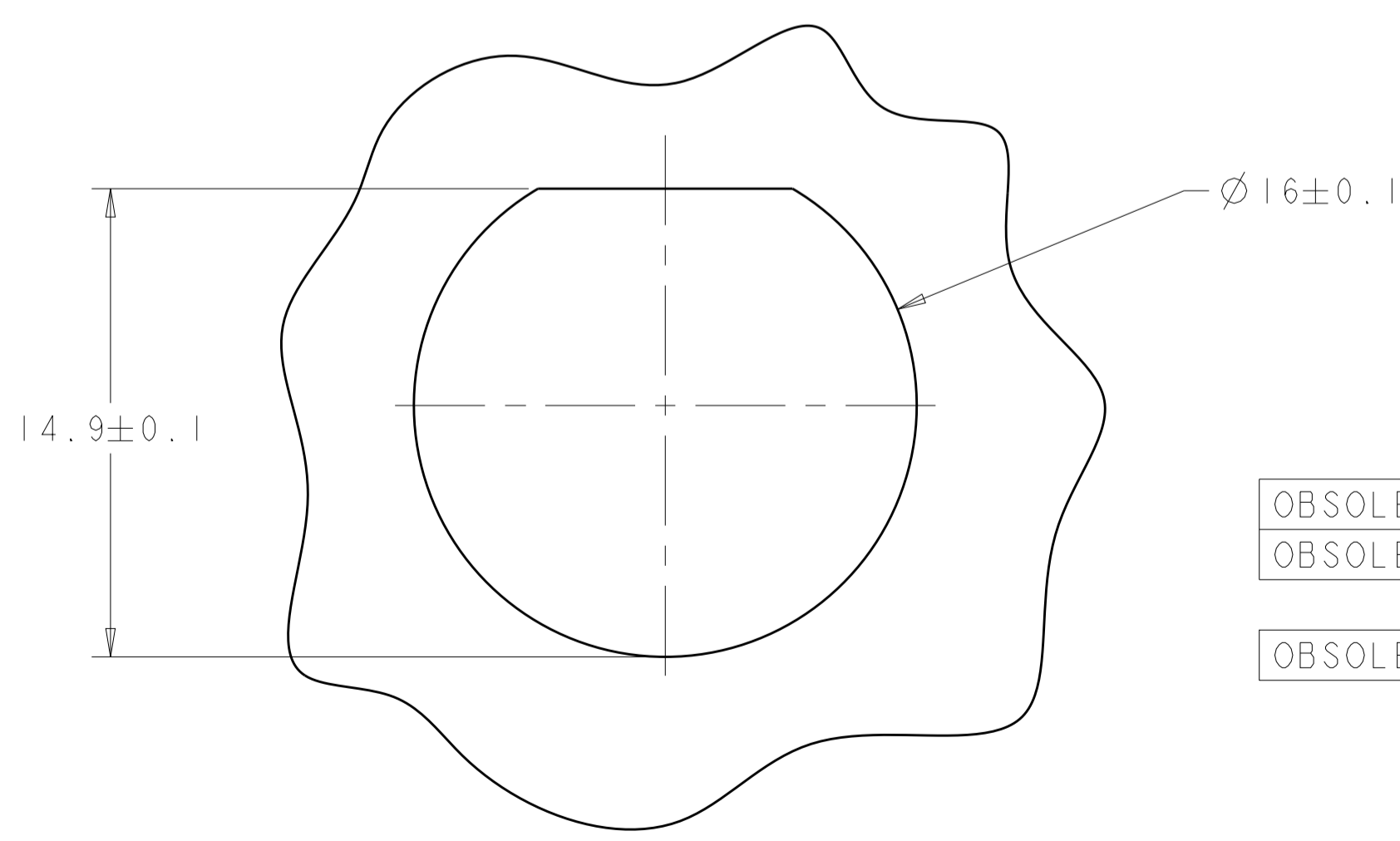
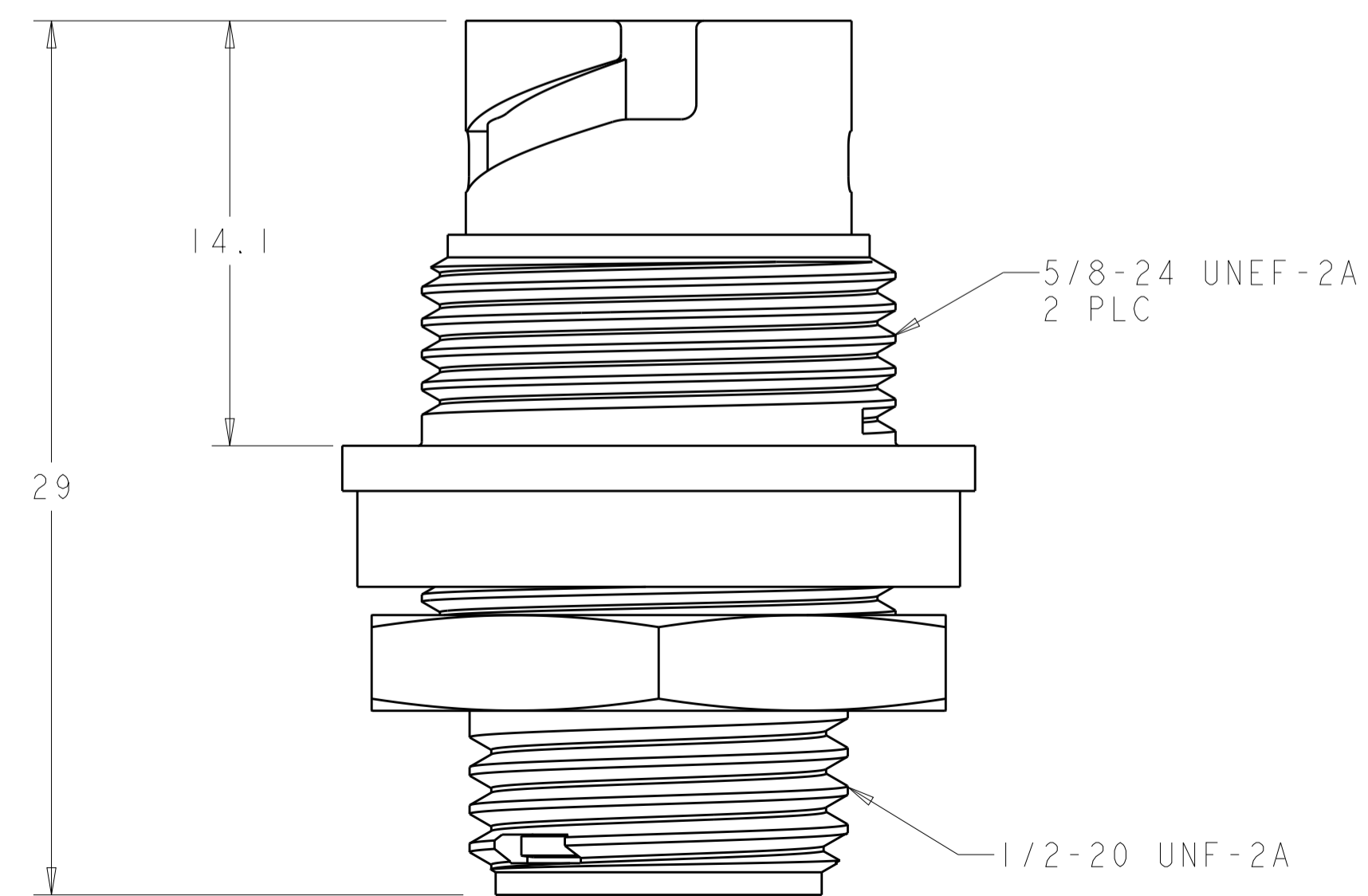
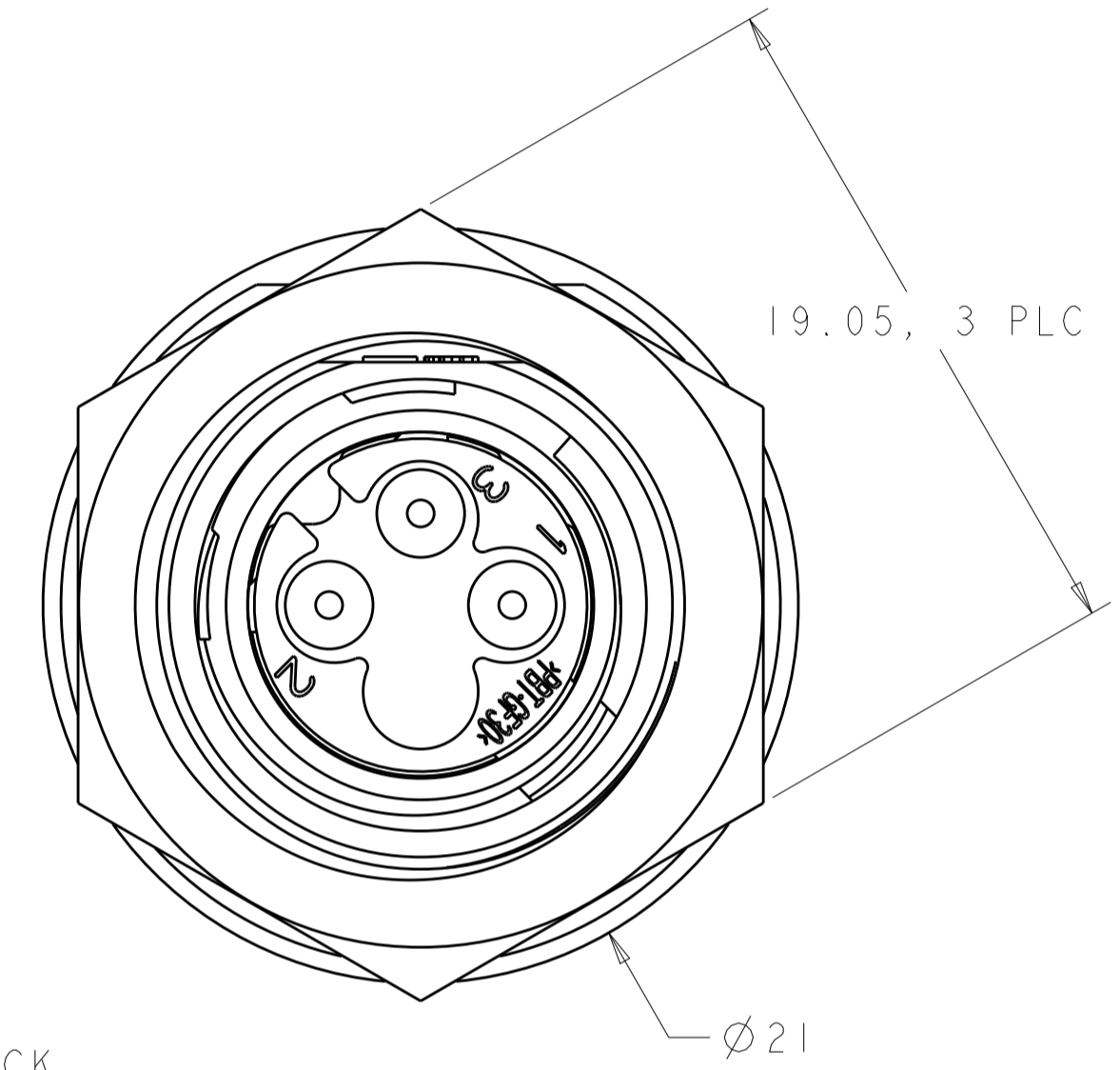


SEAL, PERIPHERAL, QTY-1  
 MATERIAL: ELASTOMER, COLOR-GRAY

PLATE, SEAL, RETENTION, QTY-1  
 MATERIAL: THERMOPLASTIC, COLOR-BLACK

SEAL, WIRE ENTRY, QTY-1  
 MATERIAL: ELASTOMER, COLOR-SEE TABLE

JAM NUT, SHOWN FOR REFERENCE ONLY, TO BE ORDERED SEPARATELY, PART # 1604196-1



SUGGESTED PANEL CUTOUT

1. CONNECTOR CAN BE FRONT OR REAR PANEL MOUNTED.  
 2. MAX PANEL THICKNESS - 3.18

OBSOLETE	RED	NATURAL	Ø 1.5	115°	1445537-05
OBSOLETE	BLACK	YELLOW	Ø 0.75	130°	1445537-04
	BLACK	NATURAL	Ø 1.5	115°	1445537-03
OBSOLETE	BLACK	NATURAL	Ø 1.5	130°	1445537-02
	BLACK	YELLOW	Ø 0.75	115°	1445537-01
	HOUSING COLOR	SEAL, WIRE ENTRY COLOR	Ø X REF	K REF	PART NUMBER

THIS DRAWING IS A CONTROLLED DOCUMENT.

DIMENSIONS: mm

TOLERANCES UNLESS OTHERWISE SPECIFIED:

0 PLC	±0.5
1 PLC	±0.13
3 PLC	±0.013
4 PLC	±0.001
ANGLES	±0.0001

MATERIAL: - FINISH: -

APVD: S. WIEST 07MAY2001, G. DOUTY 07MAY2001, H. WAKEEM 13JUN2003

NAME: ASSEMBLY, RECEPTACLE, SIZE 8, 3 POSITION, PANEL MOUNT, MINI CPC

SIZE: A1 CAGE CODE: 100779 DRAWING NO: 1445537

CUSTOMER DRAWING SCALE: 5:1 SHEET 1 OF 1 REV C

TE Connectivity

## X-ON Electronics

Largest Supplier of Electrical and Electronic Components

*Click to view similar products for [Standard Circular Connector](#) category:*

*Click to view products by [TE Connectivity](#) manufacturer:*

Other Similar products are found below :

[C015](#) [10F006](#) [001](#) [1](#) [5M2530B10P](#) [600259N006](#) [600273N007](#) [600432N009](#) [6280-2PG-519](#) [6280-3PG-311](#) [6280-3SG-311](#) [6280-7SG-3DC](#)  
[6280-7SG-522](#) [6282-2SG-321](#) [6282-5PG-311](#) [6282-6PG-519](#) [6282-8SG-311](#) [6283-11](#) [6283-15](#) [6290](#) [6382-2PG-311](#) [6382-2PG-3DC](#) [6382-](#)  
[2SG-321](#) [6382-2SG-3DC](#) [6382-4SG-516](#) [680-SMG](#) [681-PMG](#) [CXS3102A14S2P](#) [CXS3102A181S](#) [CXS3106A14S6S](#) [D38999/20FC8SA L/C](#)  
[MB12P-1](#) [7251-2PG-300](#) [7251-2SG-300](#) [7251-4PG-300](#) [7251-4SG-300](#) [7251-5PG-300](#) [7251-5SG-300](#) [7251-6SG-300](#) [7251-7PG-300](#) [7251-](#)  
[8PG-300](#) [7271-6SG-300](#) [7282-3PG-300-CH3](#) [7282-8PG-3ES](#) [73000005663](#) [75-190216-08S](#) [75-190218-10P](#) [75-474618-01S](#) [75-474620-07P](#)  
[799539-000](#) [MI8-SE](#) [80-190222-18P](#) [805-005-07NF11-19PC](#)