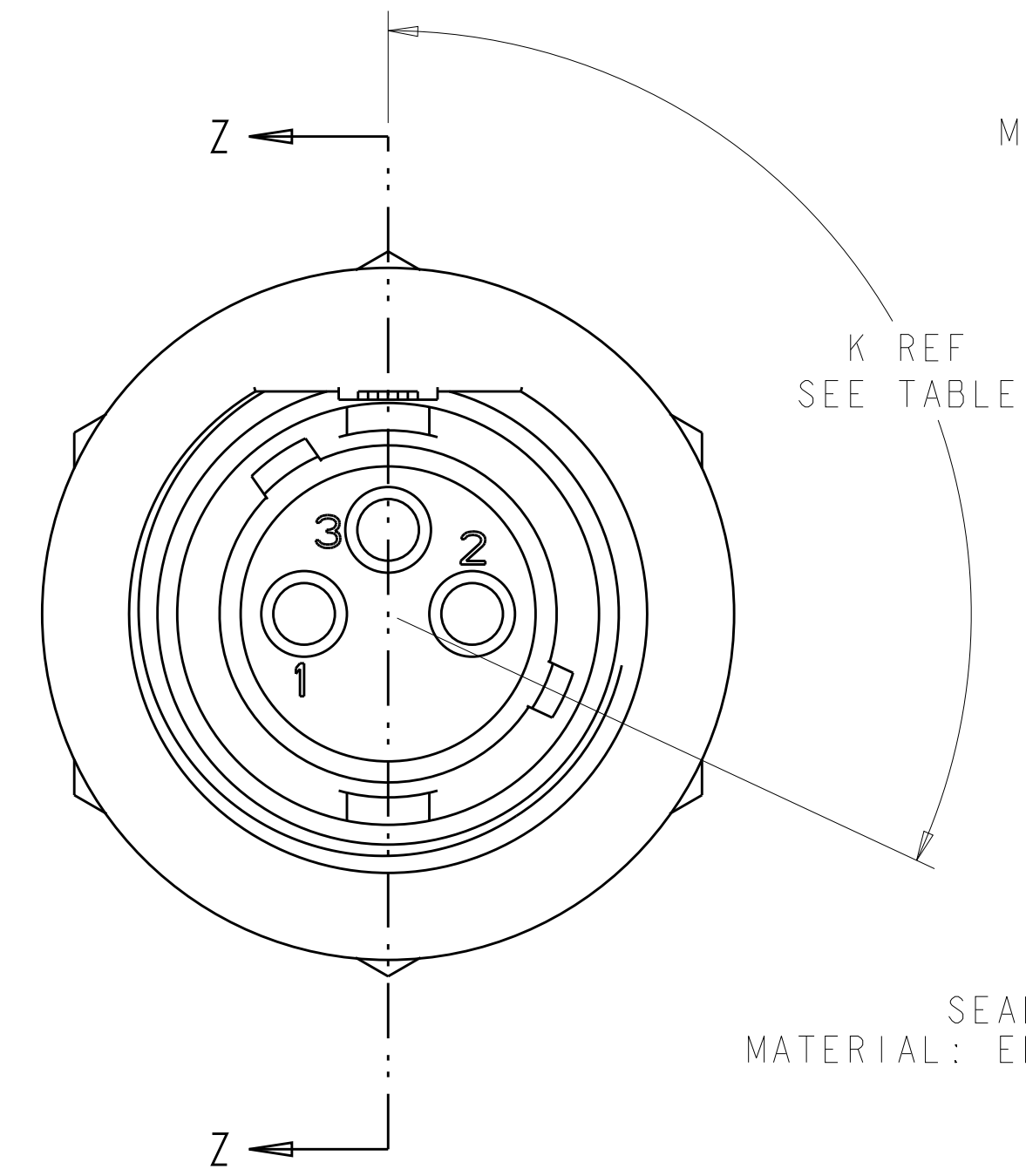
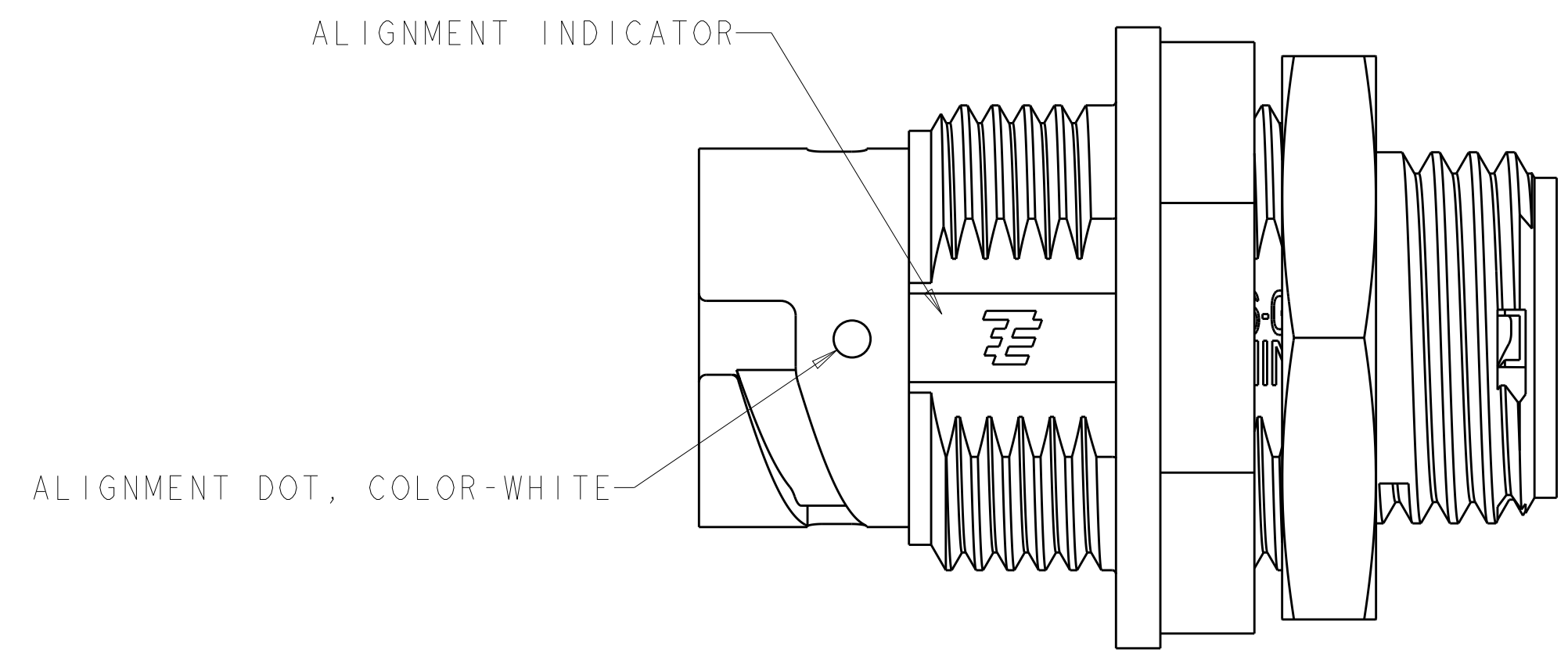
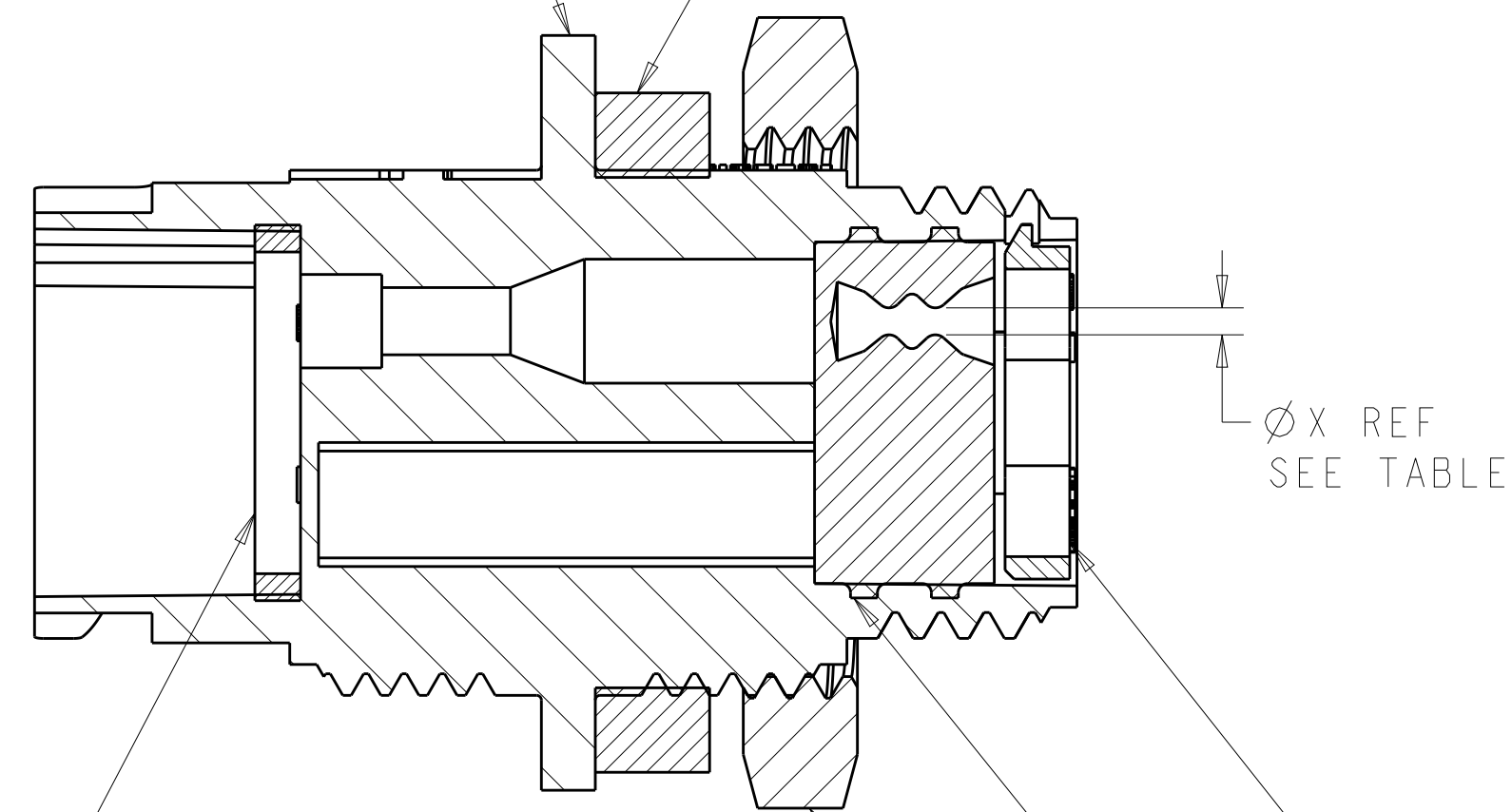


REVISIONS					
P.	LTH	DESCRIPTION	DATE	DWN	APVD
B3		REVISED PER ECO-15-010004	13JUL2015	NK	MZ
C		REVISED PER ECO-17-004650	06APR2017	BDA	MZ



HOUSING, RECEPTACLE, QTY-1
 MATERIAL: THERMOPLASTIC, COLOR-BLACK

SEAL, PANEL; SHOWN FOR REFERENCE ONLY, TO BE ORDERED SEPARATELY, PART #1445420-01.

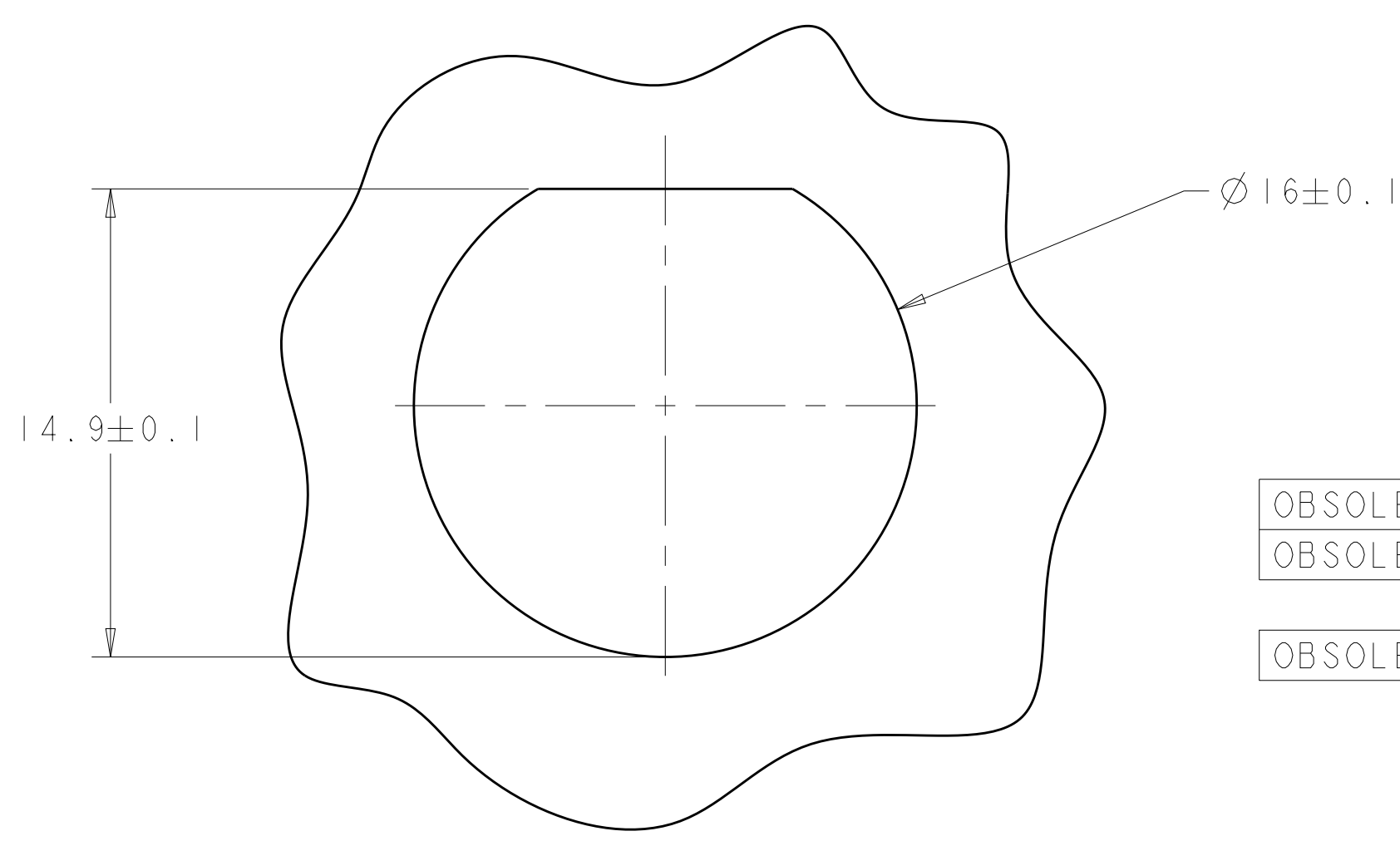
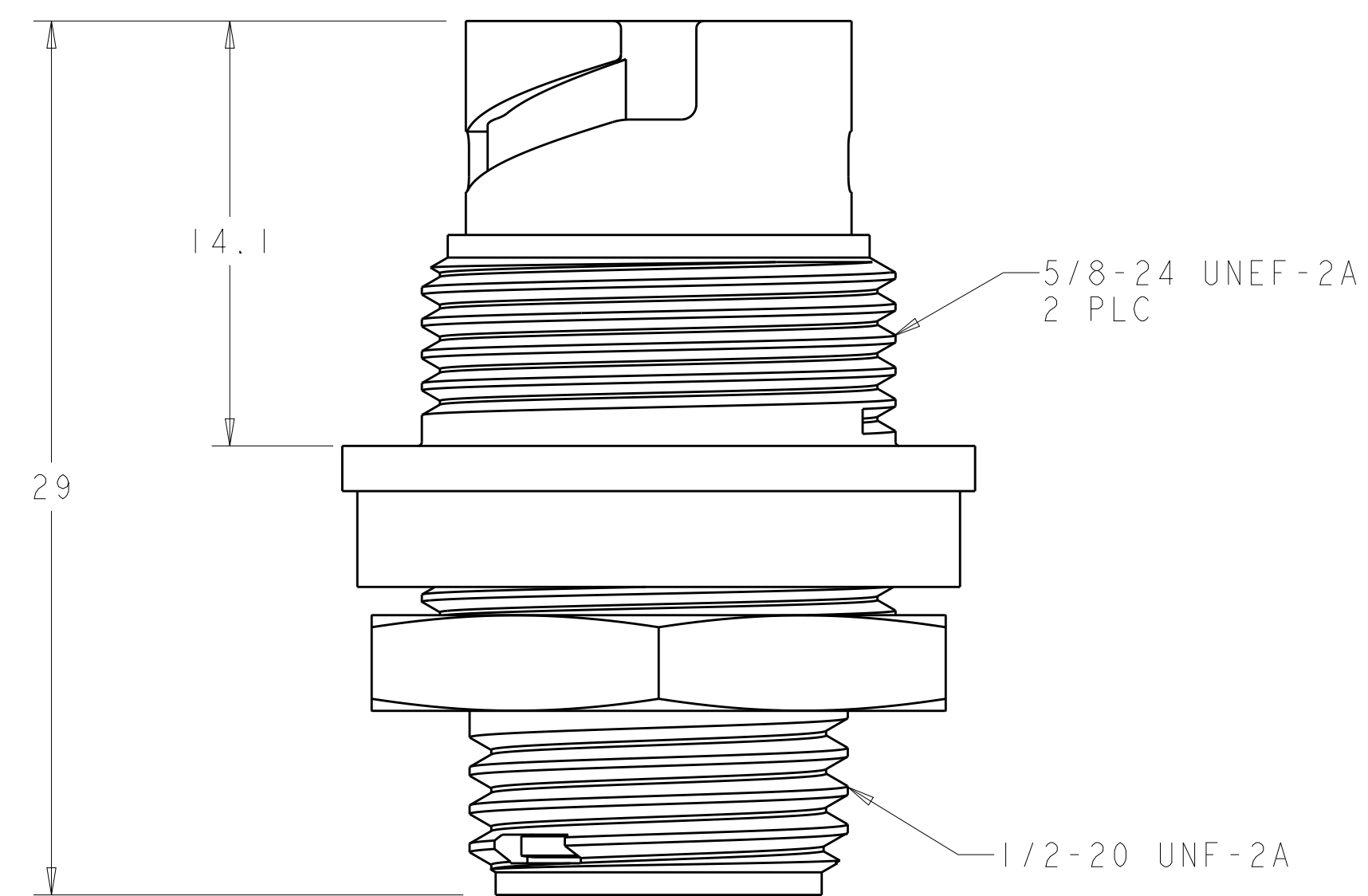
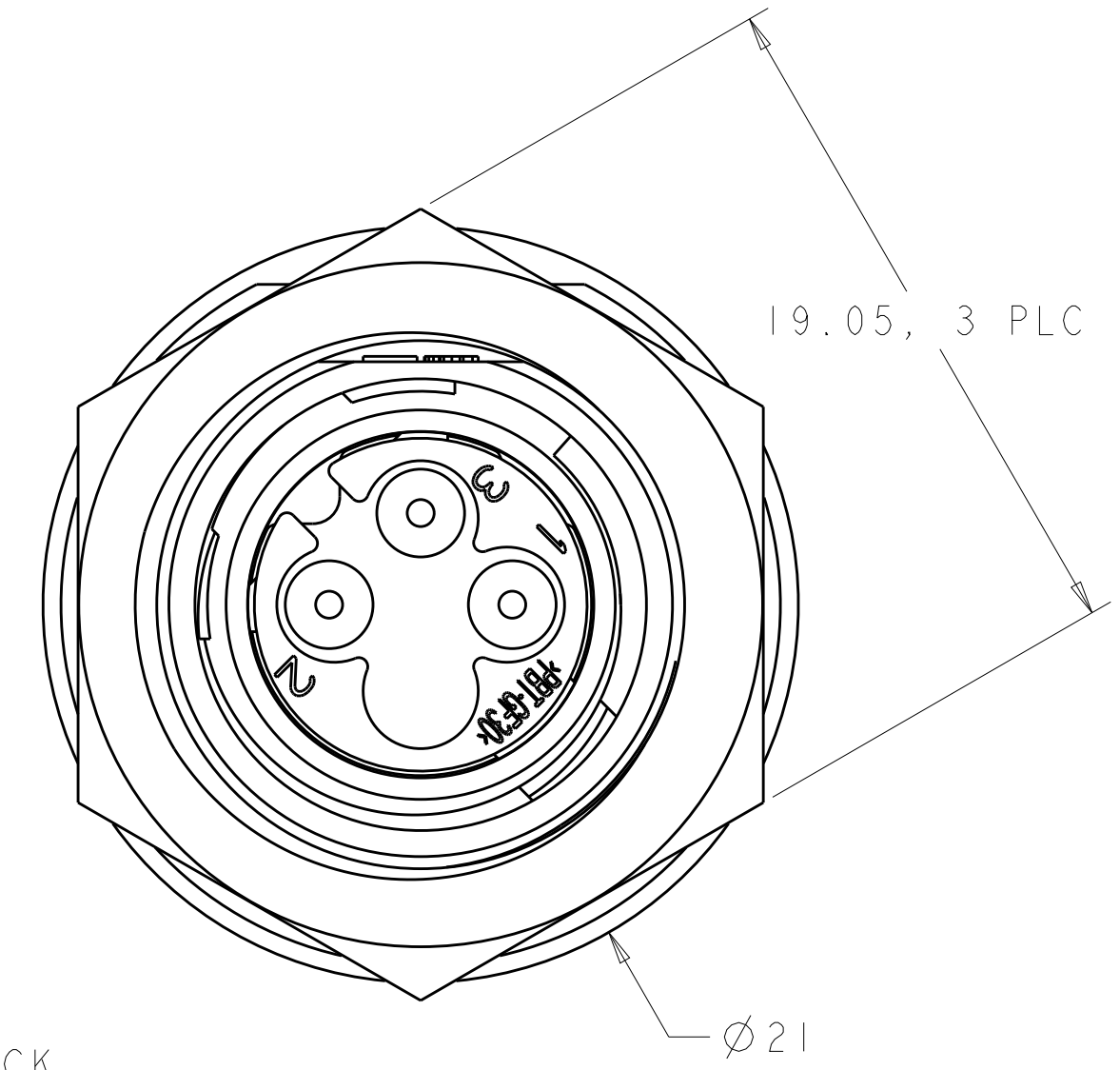


SEAL, PERIPHERAL, QTY-1
 MATERIAL: ELASTOMER, COLOR-GRAY

PLATE, SEAL, RETENTION, QTY-1
 MATERIAL: THERMOPLASTIC, COLOR-BLACK

SEAL, WIRE ENTRY, QTY-1
 MATERIAL: ELASTOMER, COLOR-SEE TABLE

JAM NUT, SHOWN FOR REFERENCE ONLY, TO BE ORDERED SEPARATELY, PART # 1604196-1



SUGGESTED PANEL CUTOUT

1. CONNECTOR CAN BE FRONT OR REAR PANEL MOUNTED.
 2. MAX PANEL THICKNESS - 3.18

OBSOLETE	RED	NATURAL	Ø 1.5	115°	1445537-05
OBSOLETE	BLACK	YELLOW	Ø 0.75	130°	1445537-04
	BLACK	NATURAL	Ø 1.5	115°	1445537-03
OBSOLETE	BLACK	NATURAL	Ø 1.5	130°	1445537-02
	BLACK	YELLOW	Ø 0.75	115°	1445537-01
	HOUSING COLOR	SEAL, WIRE ENTRY COLOR	Ø X REF	K REF	PART NUMBER

THIS DRAWING IS A CONTROLLED DOCUMENT.

DIMENSIONS: mm

TOLERANCES UNLESS OTHERWISE SPECIFIED:

0 PLC	±0.5
1 PLC	±0.13
2 PLC	±0.013
3 PLC	±0.001
4 PLC	±0.0001
ANGLES	±0.0001

MATERIAL: - FINISH: -

APPROVED: S. WIEST 07MAY2001, G. DOUTY 07MAY2001, H. WAKEEM 13JUN2003

NAME: ASSEMBLY, RECEPTACLE, SIZE 8, 3 POSITION, PANEL MOUNT, MINI CPC

SIZE: A1 CAGE CODE: 100779 DRAWING NO: 1445537

SCALE: 5:1 SHEET 1 OF 1 REV C

TE Connectivity

X-ON Electronics

Largest Supplier of Electrical and Electronic Components

Click to view similar products for [Standard Circular Connector](#) category:

Click to view products by [TE Connectivity](#) manufacturer:

Other Similar products are found below :

[5M2530B10P](#) [600259N006](#) [600273N007](#) [6134-336-13149](#) [6134-337-11149](#) [6134-337-2390](#) [6134-341-17149](#) [6280-4SG-516](#) [6280-7SG-3DC](#)
[6290](#) [6291A](#) [66200A-10](#) [680-SMG](#) [681-PMG](#) [CXS3102A14S2P](#) [CXS3102A181S](#) [7271-6SG-300](#) [7282-3PG-300-CH3](#) [75-474014-05S](#) [75-](#)
[474618-01S](#) [75-474618-04P](#) [75-474618-04S](#) [799539-000](#) [MI8-SE](#) [805-005-07NF11-19PC](#) [805-005-07NF15-7PA](#) [8280-4PG-516](#) [8280-7PG-](#)
[519](#) [8282-5PG-519](#) [836783-1](#) [MP-4102-25P-C](#) [862256-1](#) [864019-2](#) [866857-1](#) [867865-1](#) [PT01SP-14-18P](#) [PT08P-14-5S](#) [120-1833-000](#)
[QCM019PC2DC012B](#) [1-2069279-1](#) [121583-0217](#) [121667-0020](#) [129591AU](#) [1000B BULK](#) [RD10A16-19-P6CS051/1](#) [RD10A20-31-](#)
[P8CS051/1](#) [RD16A14-12-S6CS051/2](#) [1301240290](#) [1301240347](#) [1301860202](#) [1301240268](#)