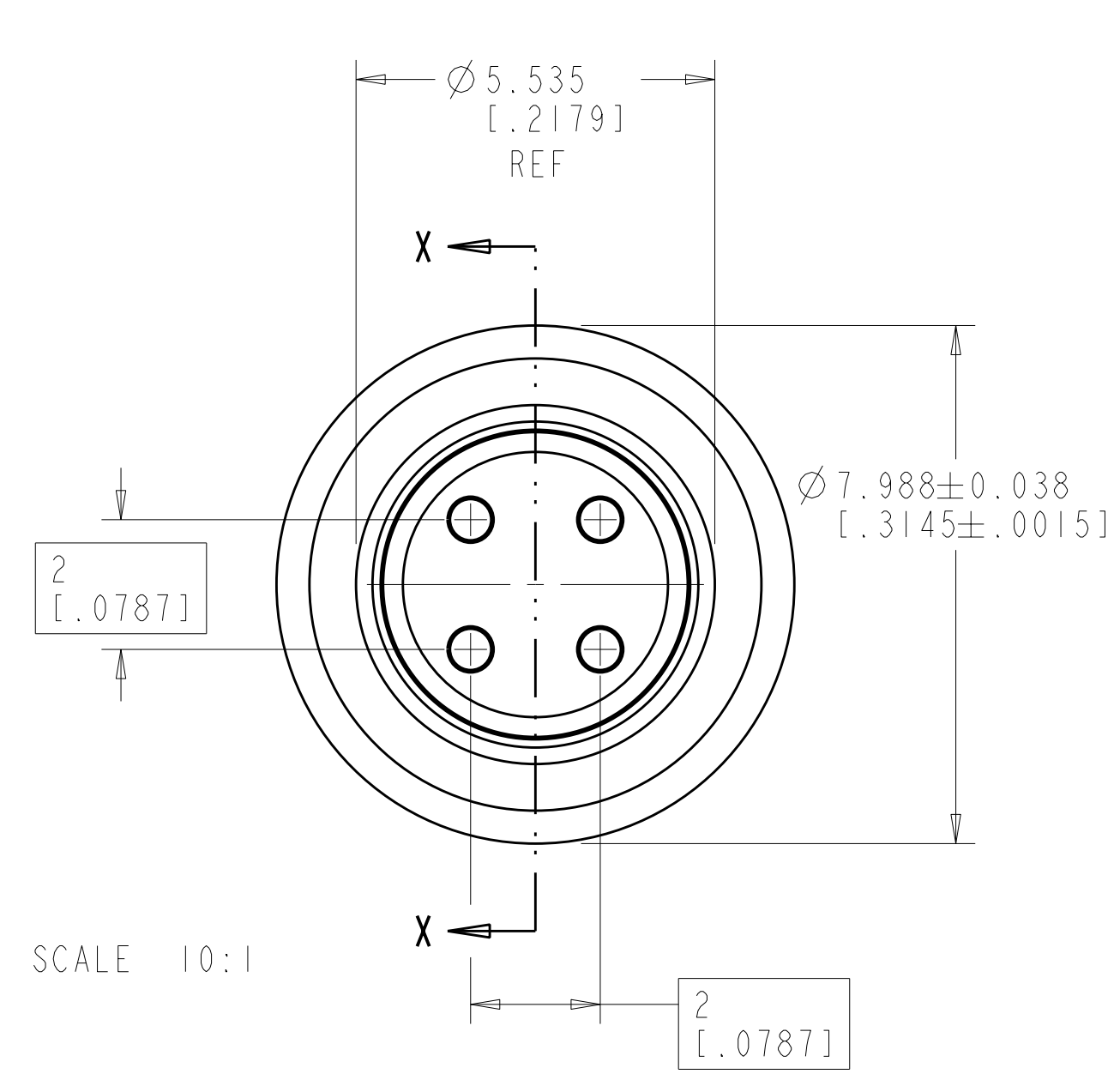
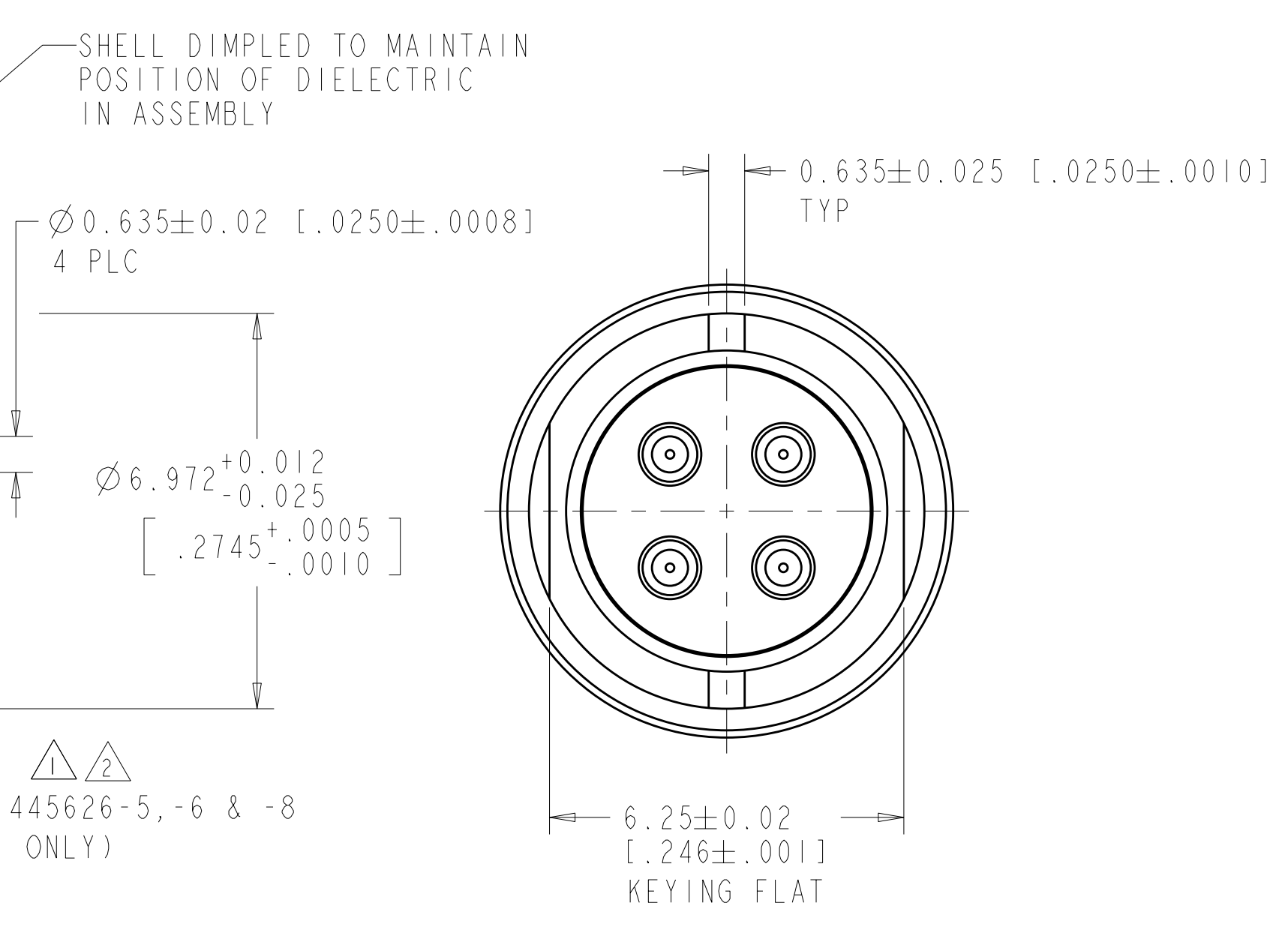
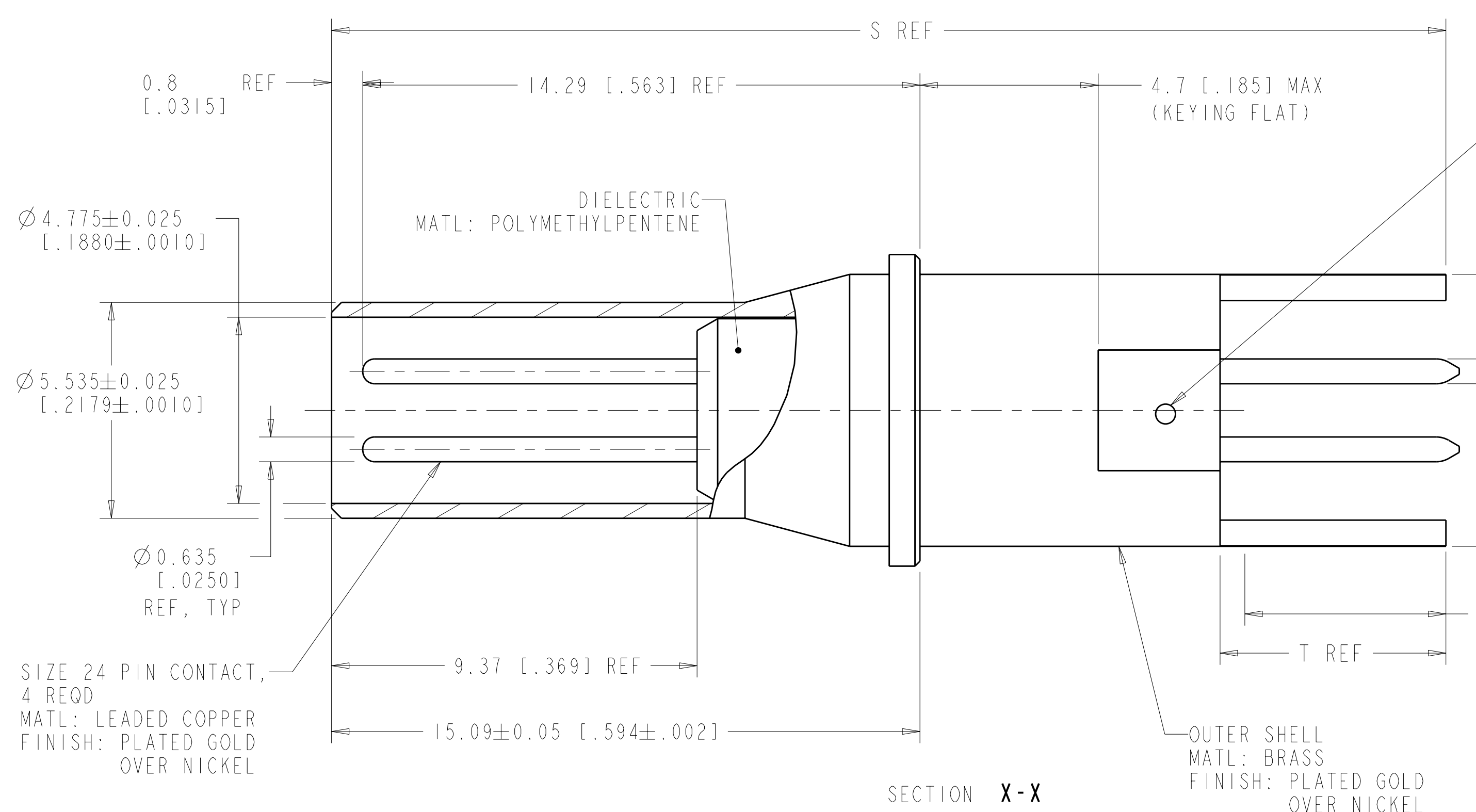


LOC	DIST	REV	DATE	BY	APPD
		K	2-7-12	CT	DM

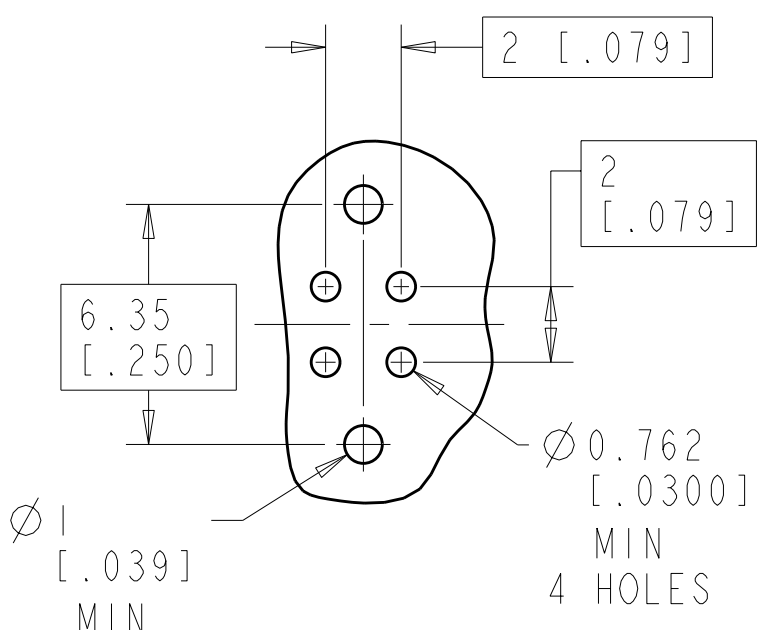
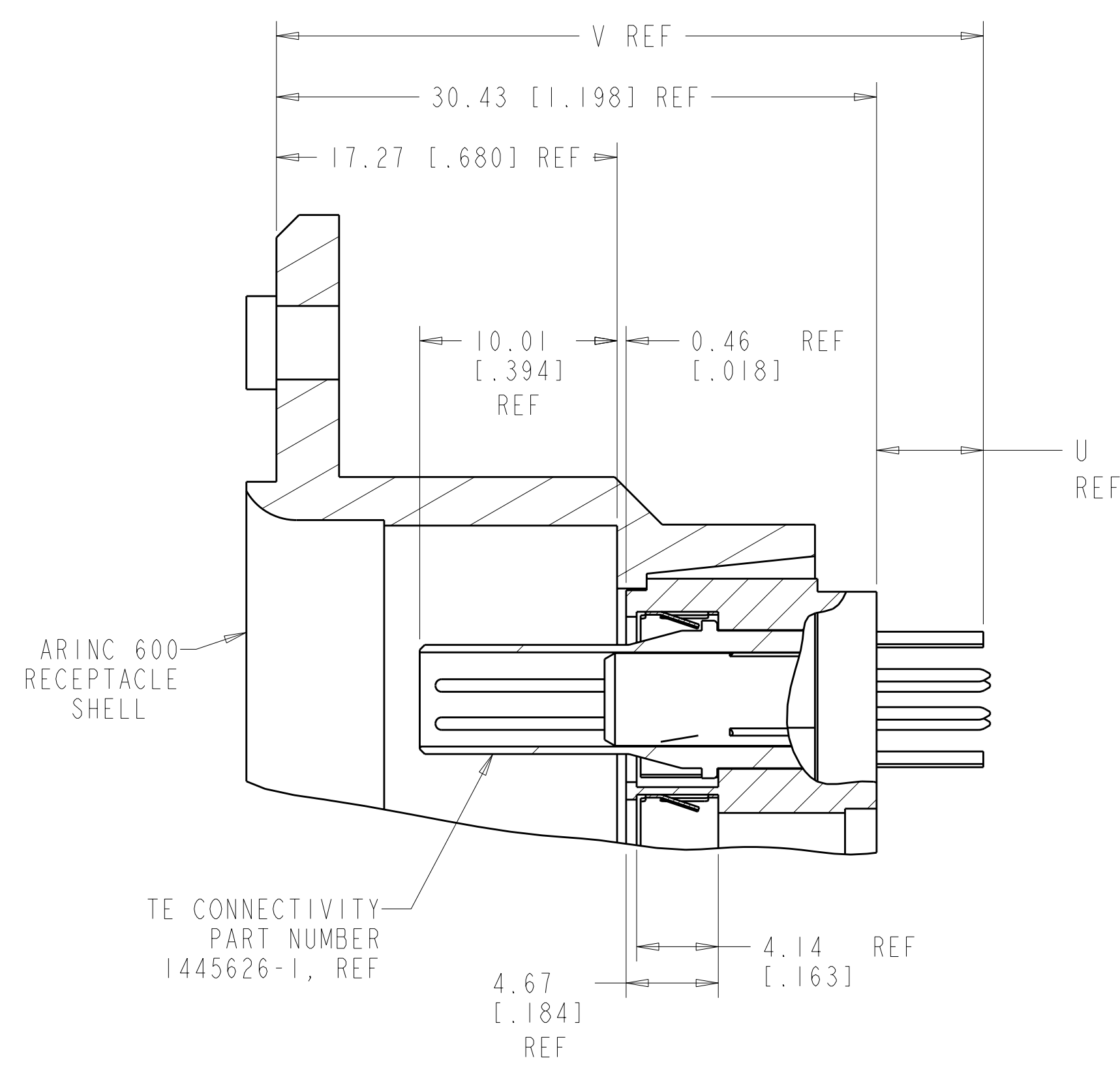
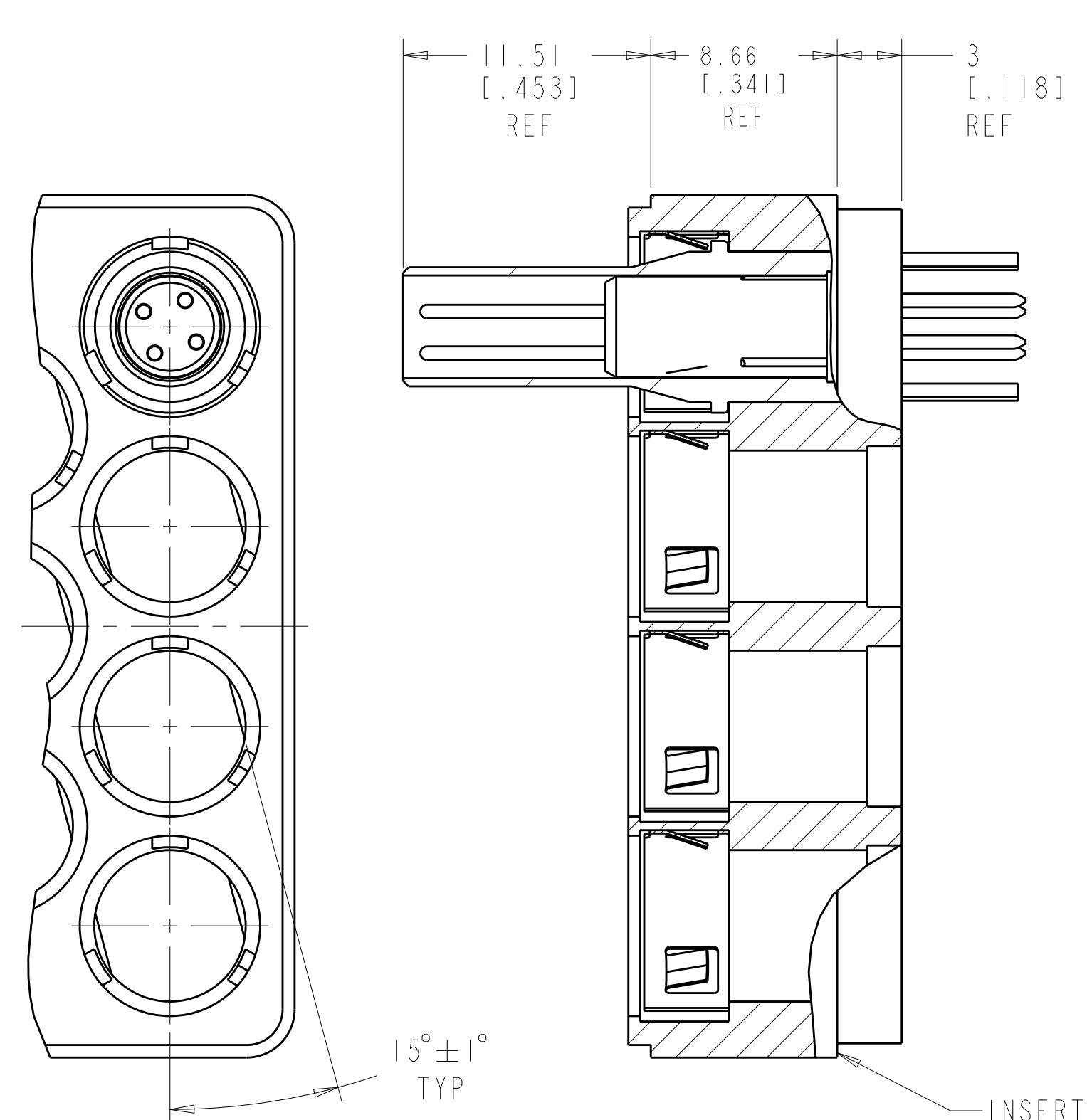


SCALE 10:1



△ THIS AREA SOLDER DIPPED. SOLDER TAIL DIMENSIONS APPLY PRIOR TO SOLDER DIP.
 △ SOLDER IS RoHS COMPLIANT Sn.

3. CHARACTERISTIC IMPEDANCE: 100 OHMS NOMINAL



RECOMMENDED P.C. BOARD LAYOUT (ROTATED 15° CCW FOR EASE OF DOCUMENTATION)

QUADRAx PIN ASSY, 1445626-1, SHOWN INSTALLED IN ARINC 664, SIZE 2 INSERT WITH SIZE 8, FRONT RELEASE, FRONT REMOVABLE CAVITY

V REF	U REF	T REF	S REF	DESCRIPTION	PART NO.
37.49 [1.476]	7.06 [1.278]	8.25 [1.325]	30.25 [1.191]	SAME AS 1445626-9 EXCEPT TAILS ARE SOLDER DIPPED △	1-1445626-0
37.49 [1.476]	7.06 [1.278]	8.25 [1.325]	30.25 [1.191]	SAME AS 1445626-1 EXCEPT WITH .278 SOLDER TAIL LENGTH	1445626-9
39.95 [1.573]	9.52 [1.375]	10.72 [1.422]	33.50 [1.319]	SAME AS 1445626-2 EXCEPT TAILS ARE SOLDER DIPPED △	1445626-8
35.84 [1.411]	5.41 [1.213]	5.79 [1.228]	28.58 [1.125]	SAME AS 1445626-1 EXCEPT TAILS ARE SOLDER DIPPED △	1445626-6
36.78 [1.448]	6.35 [1.250]	7.54 [1.297]	30.33 [1.194]	SAME AS 1445626-4 EXCEPT TAILS ARE SOLDER DIPPED △	1445626-5
36.78 [1.448]	6.35 [1.250]	7.54 [1.297]	30.33 [1.194]	SAME AS 1445626-1 EXCEPT WITH .250 SOLDER TAIL LENGTH	1445626-4
34.65 [1.364]	4.2 [1.166]	4.60 [1.181]	27.38 [1.078]	SAME AS 1445626-1 EXCEPT WITH .166 SOLDER TAIL LENGTH	1445626-3
39.95 [1.573]	9.52 [1.375]	10.72 [1.422]	33.50 [1.319]	SAME AS 1445626-1 EXCEPT WITH .375 SOLDER TAIL LENGTH	1445626-2
35.84 [1.411]	5.41 [1.213]	5.79 [1.228]	28.58 [1.125]	PER ARINC 664 STANDARD;	1445626-1

THIS DRAWING IS A CONTROLLED DOCUMENT.

APPROVED: W.H. BERNHART, DATE: JAN2004

DESIGNED: Brent D. Toth, DATE: JAN2004

NAME: ASSEMBLY, PIN, QUADRAx, 2mm SO, FRONT RELEASE-FRONT REMOVABLE, ADN, WITH PIN CONTACTS

PRODUCT SPEC: 114-13123

SIZE: A1, CAGE CODE: 00779, DRAWING NO: 1445626

SCALE: 3:2, SHEET: 1 OF 1, REV: K

X-ON Electronics

Largest Supplier of Electrical and Electronic Components

Click to view similar products for [Rack & Panel Connectors](#) category:

Click to view products by [TE Connectivity](#) manufacturer:

Other Similar products are found below :

[00171410002](#) [00171420202](#) [00171440002](#) [02-014-013-5200-000](#) [613467-000](#) [CTJ112E01E-513](#) [CTJ116E03A-513](#) [66020-2](#) [CW8958-000](#)
[699886-000](#) [D250-50632](#) [70.400.3240.0](#) [70.955.2453.3](#) [733753-000](#) [F22831-000](#) [780-522-DPX34RG8-02](#) [8660-501](#) [87.060.0053.0](#)
[900709N001](#) [928358-1](#) [D-659-0061](#) [1-445717-6](#) [1484469-2](#) [1604997-2](#) [MTC100-BF1-P31CS015](#) [MTC100-KT2-0083](#) [MTC100-KT2-0123-](#)
[003](#) [MTC100-YA1-005](#) [MTCQPQT1R2PGCA](#) [MTCR-103-04S](#) [MTCX1X-100-100CS025](#) [1738331-1](#) [1757667-1](#) [1811481-1](#) [1883433-1](#)
[201046-7](#) [202648-4](#) [213364-1](#) [226503-000](#) [937028-164](#) [1663130-2](#) [172305-4](#) [AC-660022-701BP](#) [F36711-000](#) [202355-2](#) [202356-2](#) [G16S-A](#)
[G20S-AB](#) [CHA-0017-003](#) [CHA-0296](#)