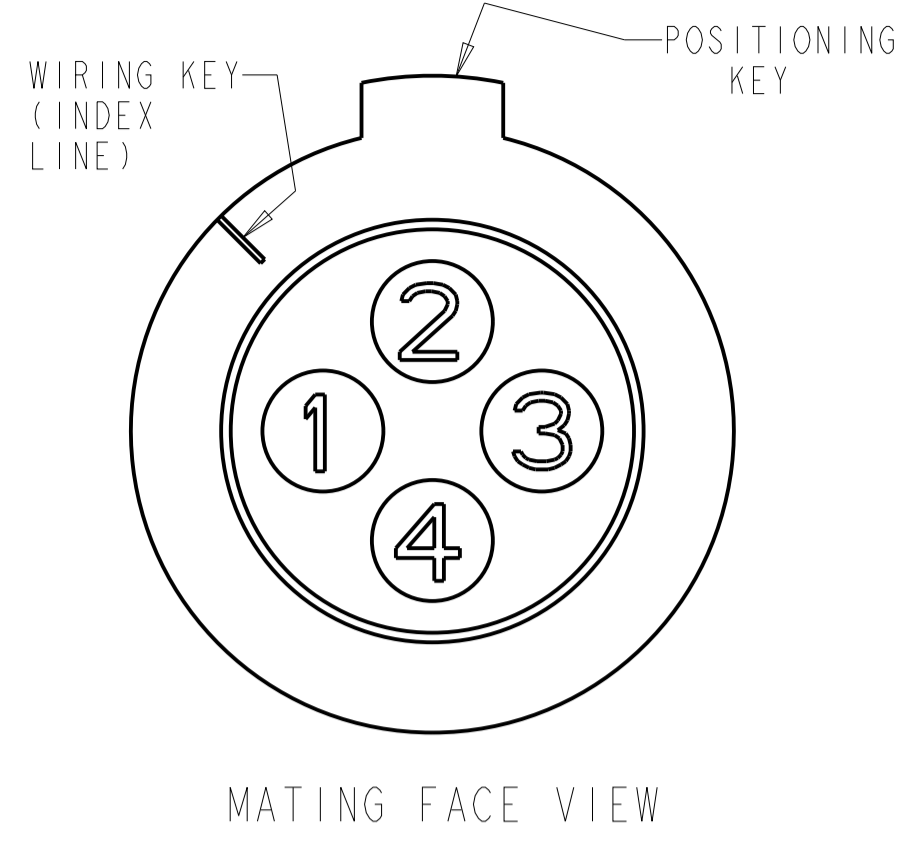
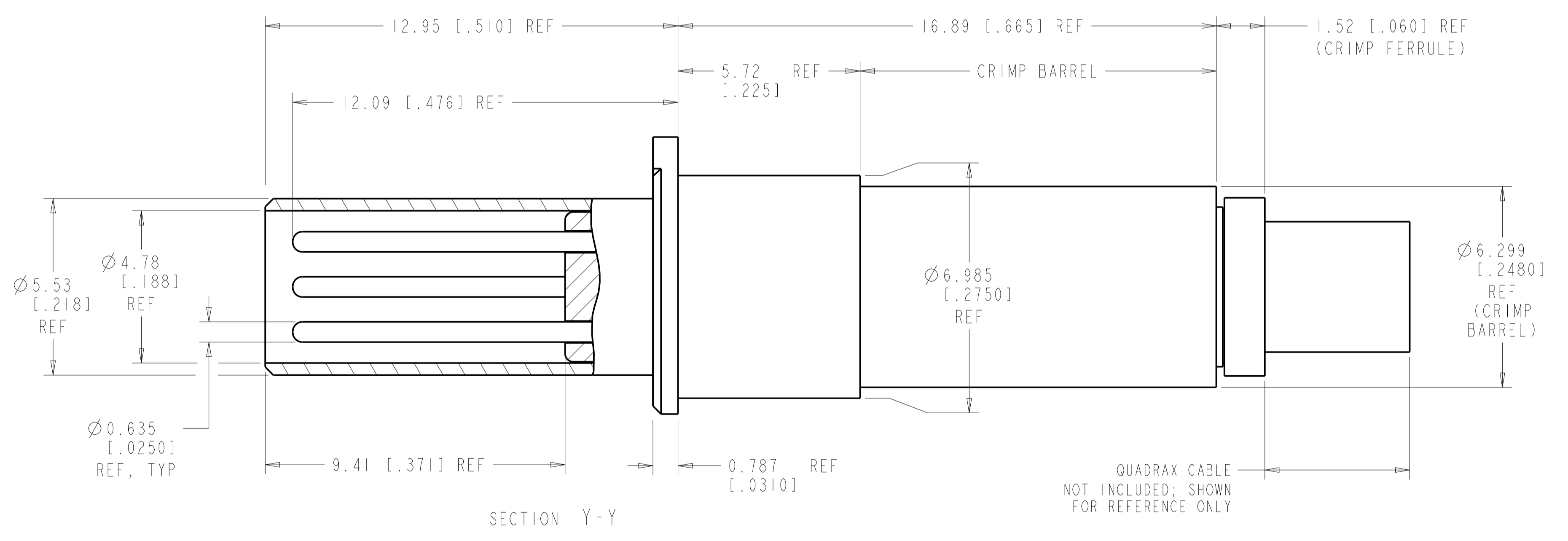
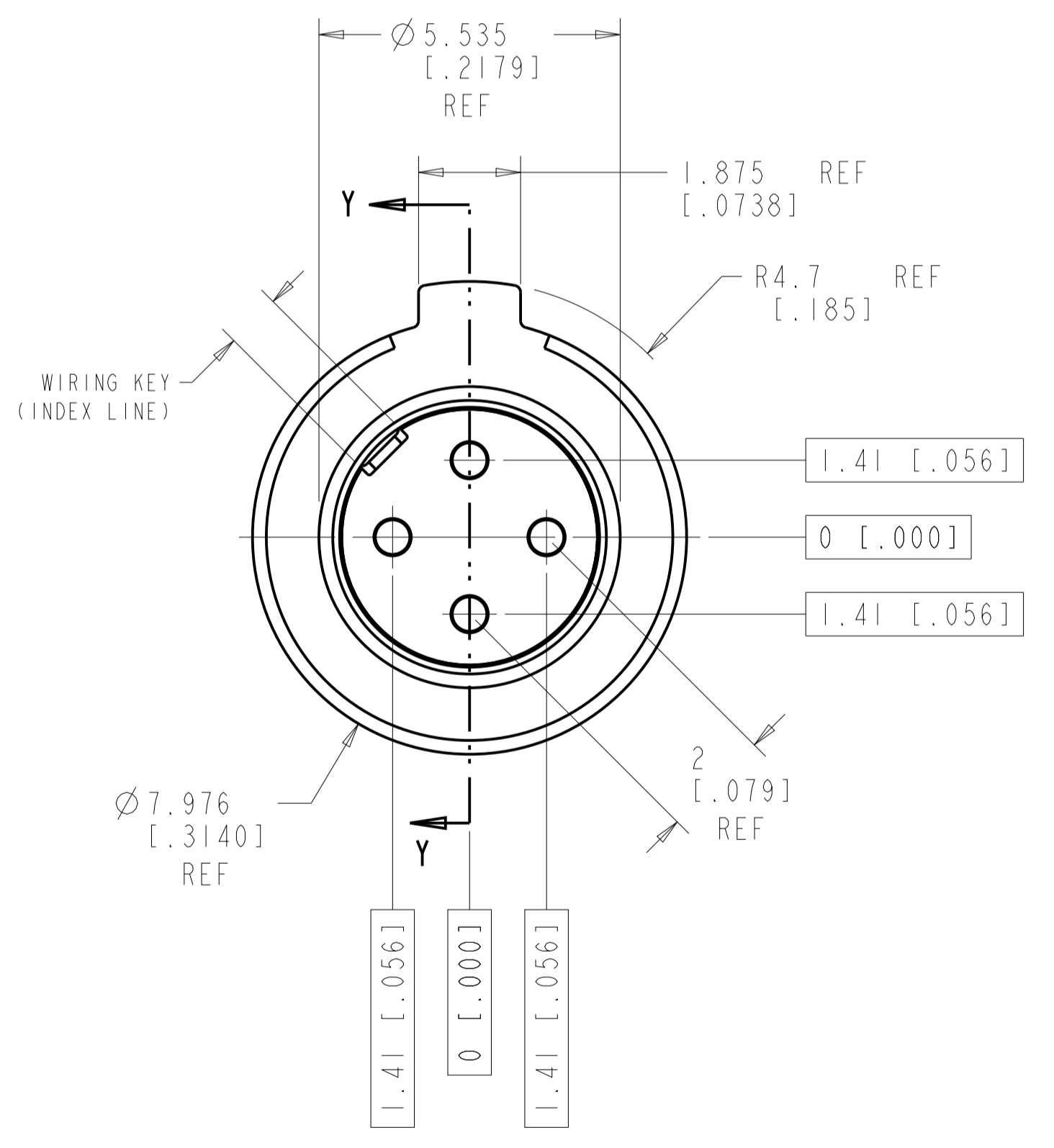
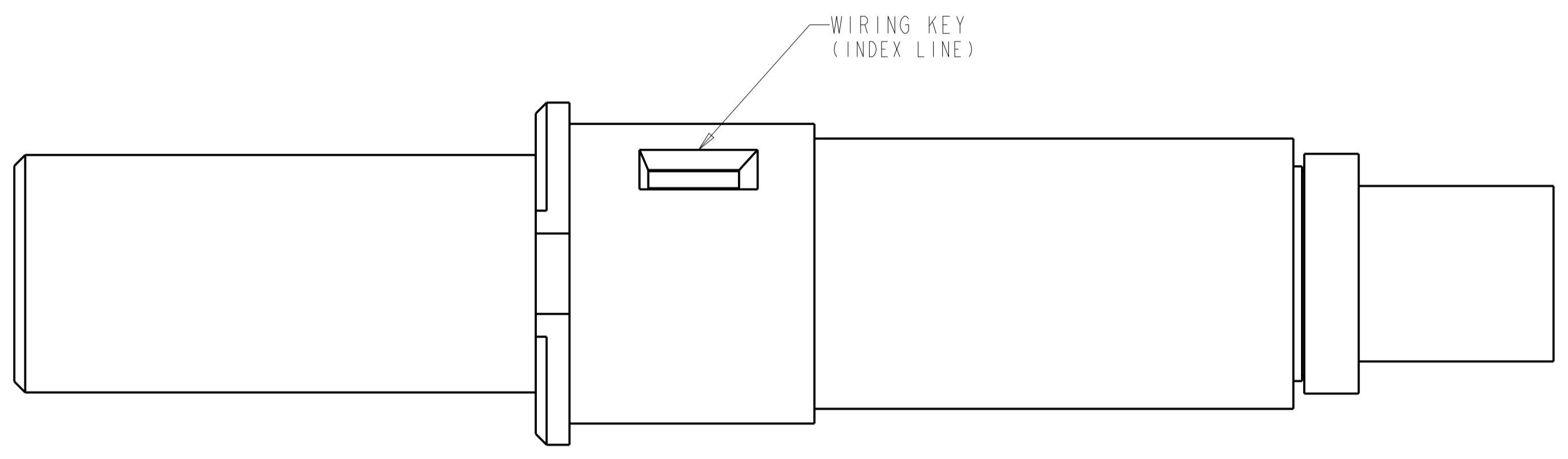
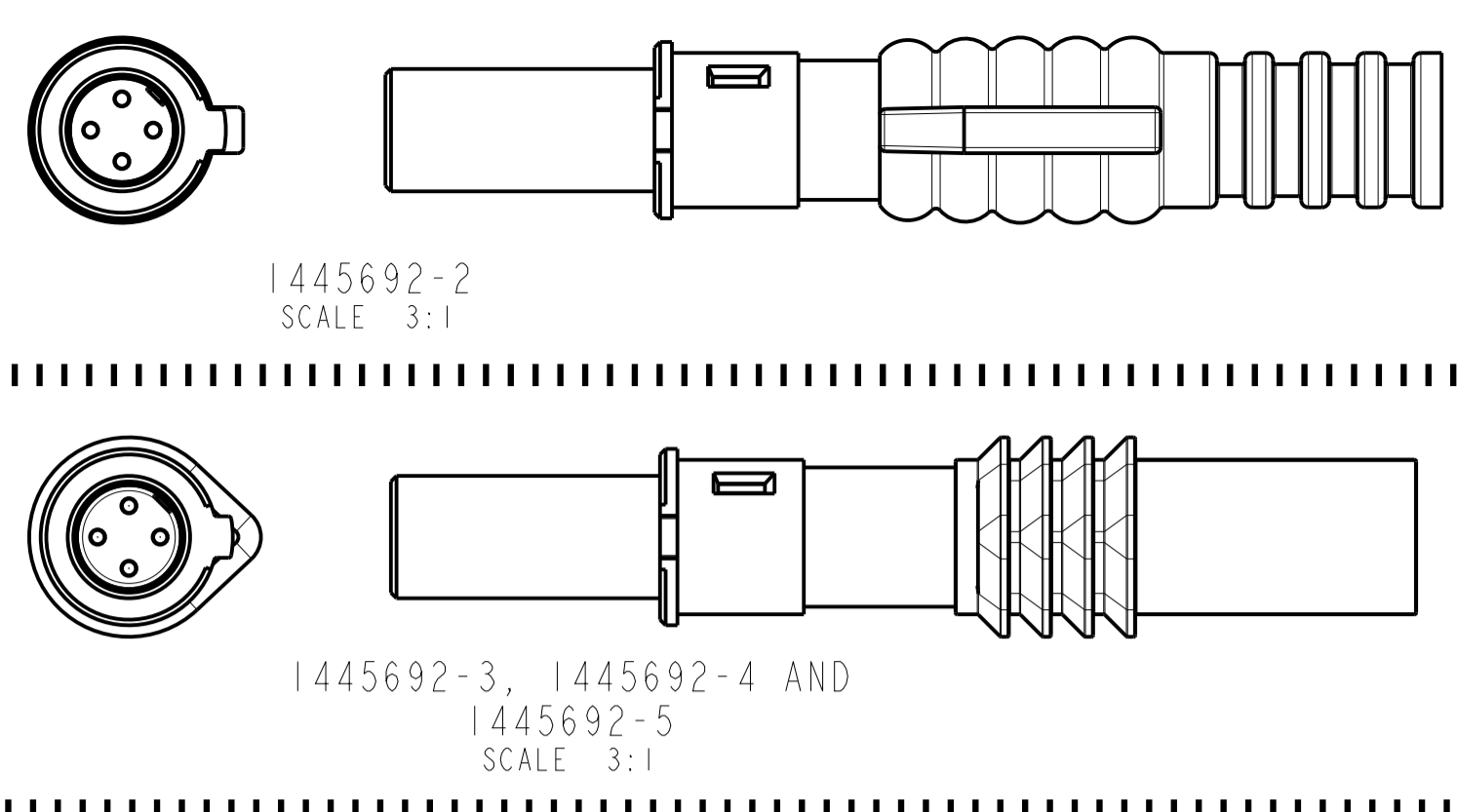


REVISIONS				
P.	LTR.	DESCRIPTION	DATE	APVD.
H2	REV PER ECO	14-011279	10-7-14	CT DM



CONTACT CAVITY NUMBERING
STANDARD CAVITY NUMBER ASSIGNMENT



QUADRAx CABLE NOT INCLUDED; SHOWN FOR REFERENCE ONLY

- COMPONENTS ARE PACKAGED IN KIT FORM. CABLE MUST BE PURCHASED SEPARATELY.
 - ASSEMBLY PER APPLICATION SPECIFICATION 114-13123.
 - USE INSERTION-EXTRACTION TOOL 1738894-1.
- △ TENSOLITE NF24Q100 OR EQUIVALENT
 - △ DRAKA F4704-4 OR EQUIVALENT

△	BACC47GA2	-	SAME AS -4 EXCEPT WITHOUT WIRE SEAL	1445692-8
△	-	-	AS SHOWN WITHOUT WIRE SEAL	1445692-6
△	-	BLUE	AS SHOWN WITH WIRE SEAL	1445692-5
△	BACC47GA1	BLUE	SAME AS -1 EXCEPT WITH WIRE SEAL	1445692-4
△	---	BLUE	SAME AS -1 EXCEPT WITH WIRE SEAL	1445692-3
△	---	RED	SAME AS -1 EXCEPT WITH WIRE SEAL	1445692-2
△	---	--	AS SHOWN; WITHOUT WIRE SEAL	1445692-1
RECOMMENDED CABLE	CUSTOMER PART NUMBER	SEAL COLOR	DESCRIPTION	PART NO.

THIS DRAWING IS A CONTROLLED DOCUMENT.

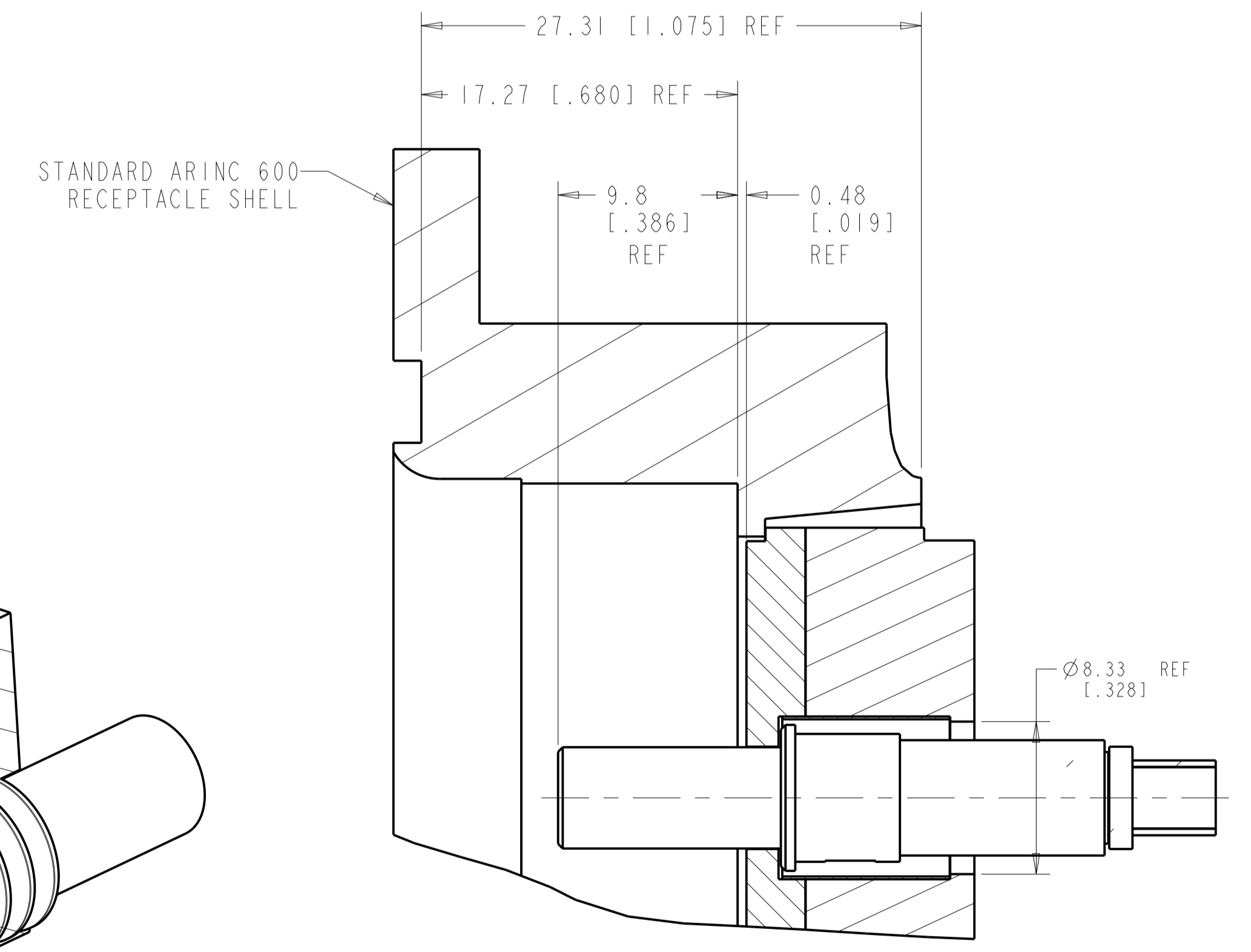
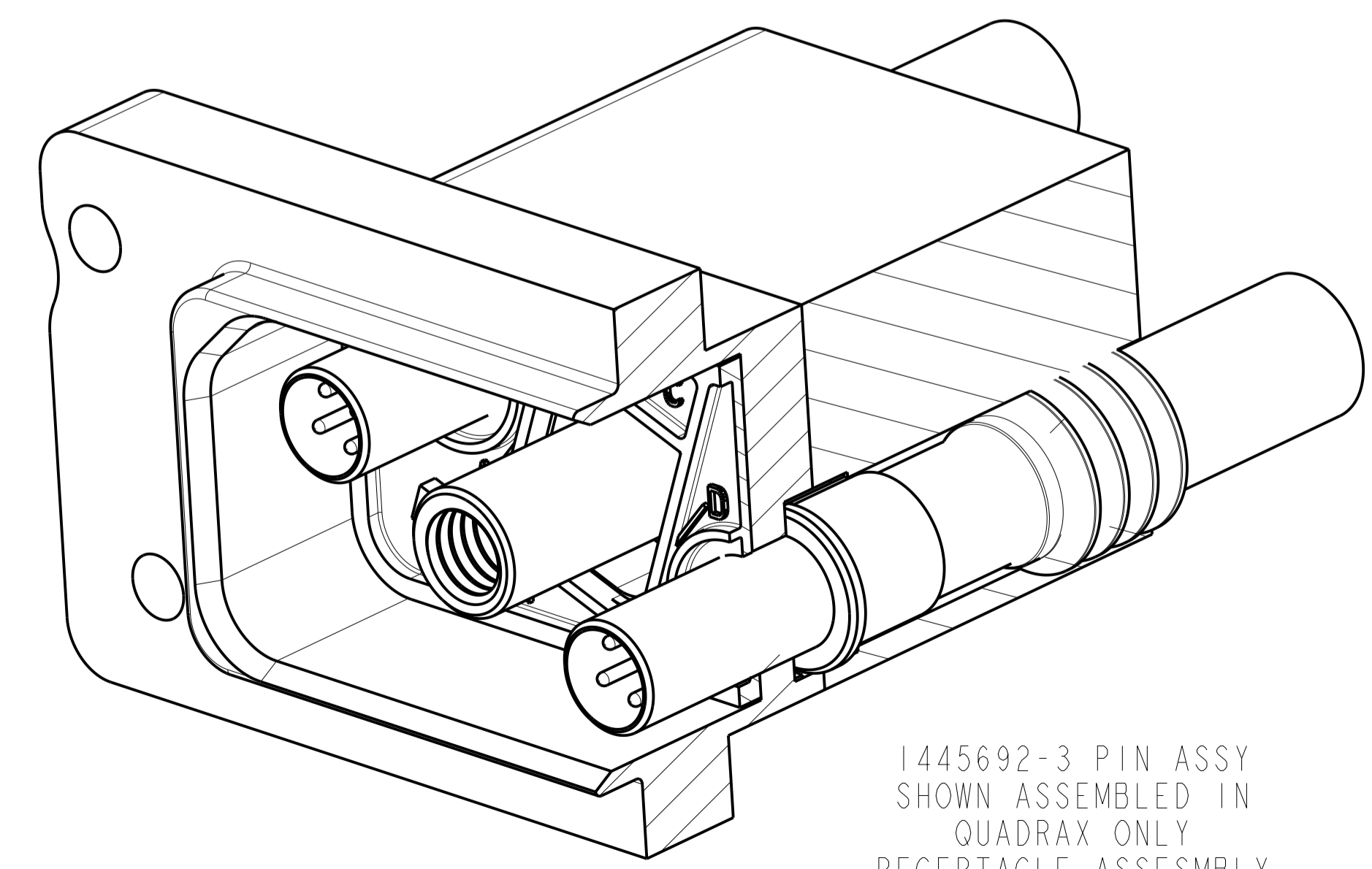
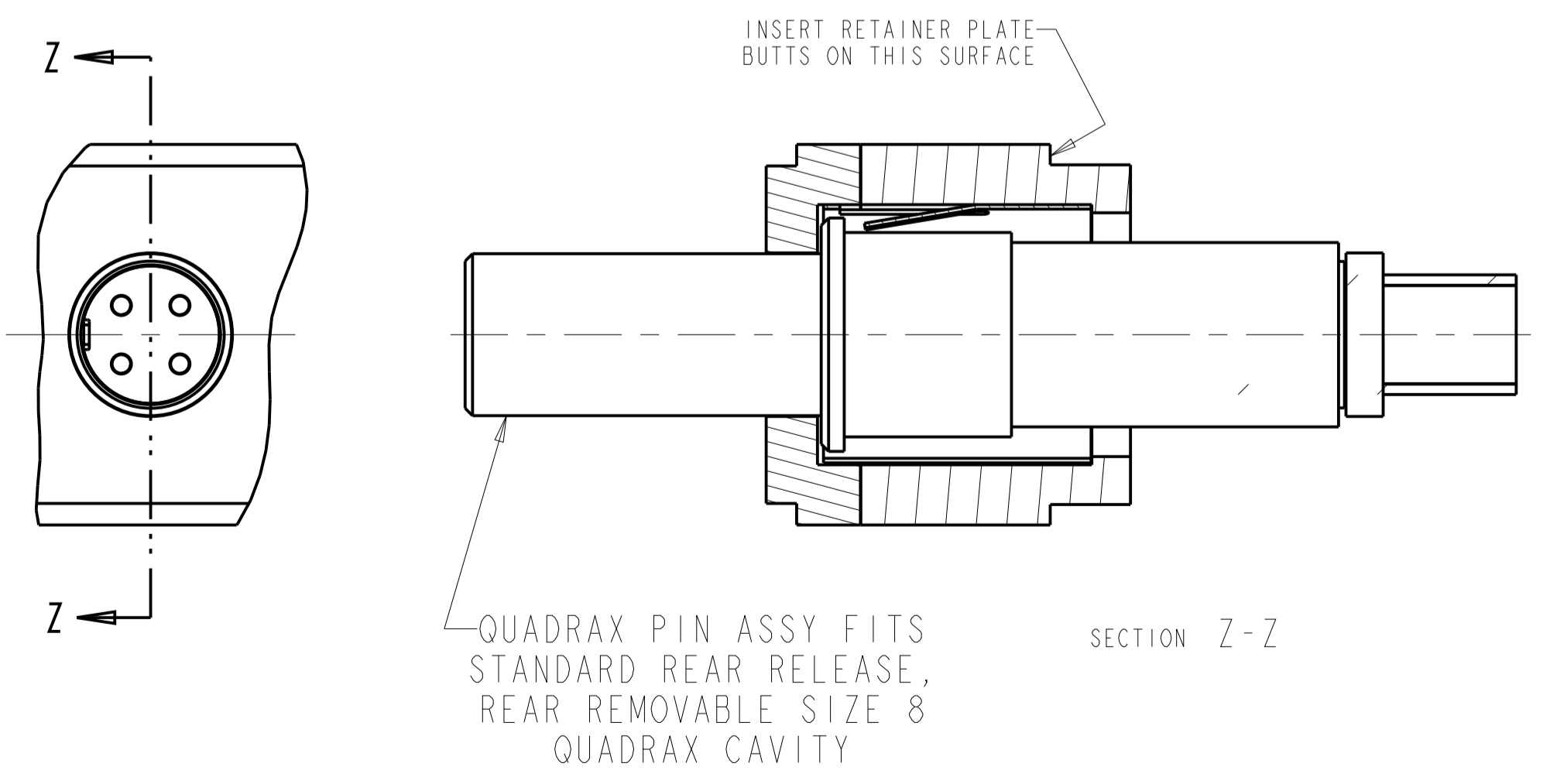
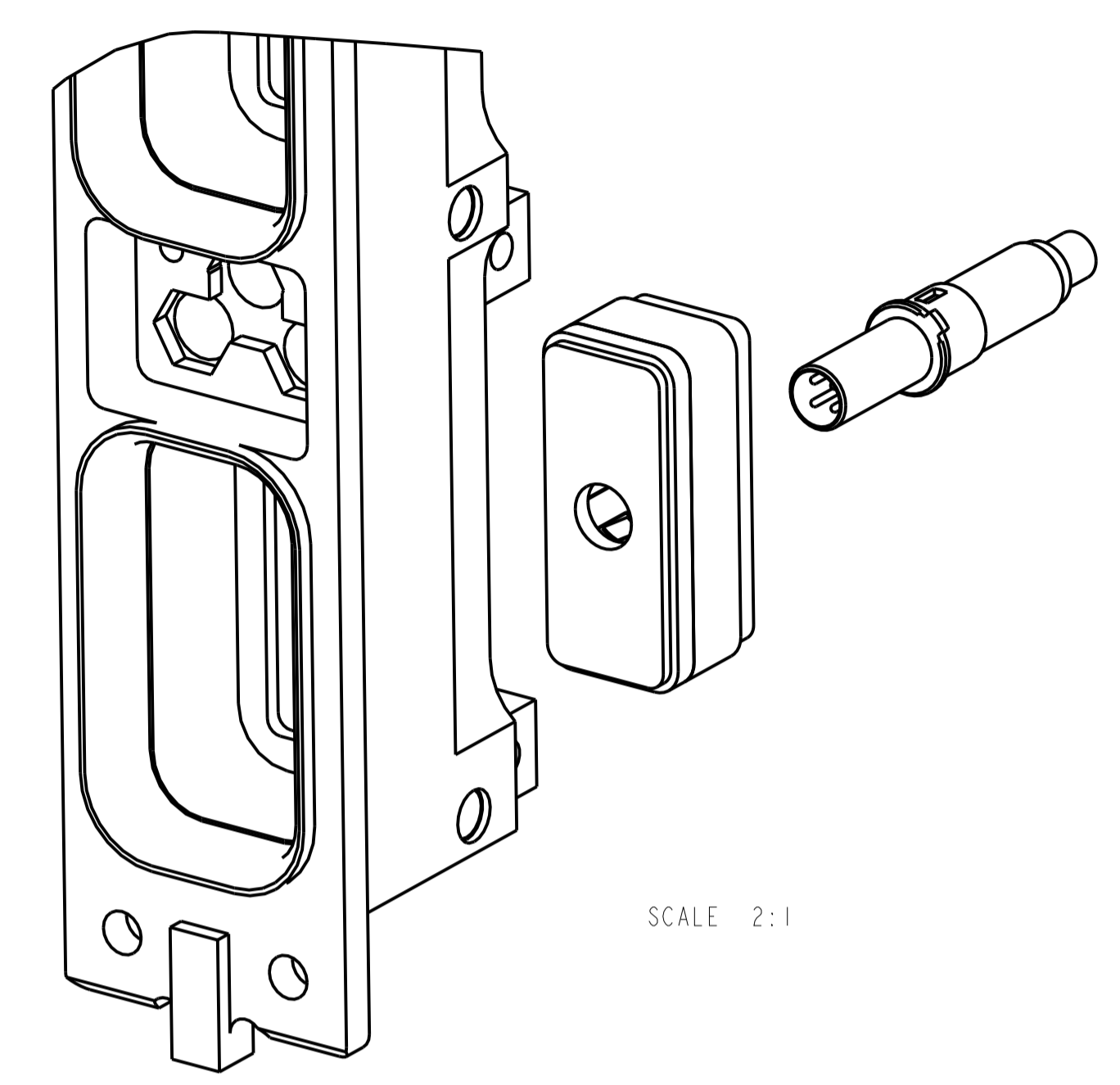
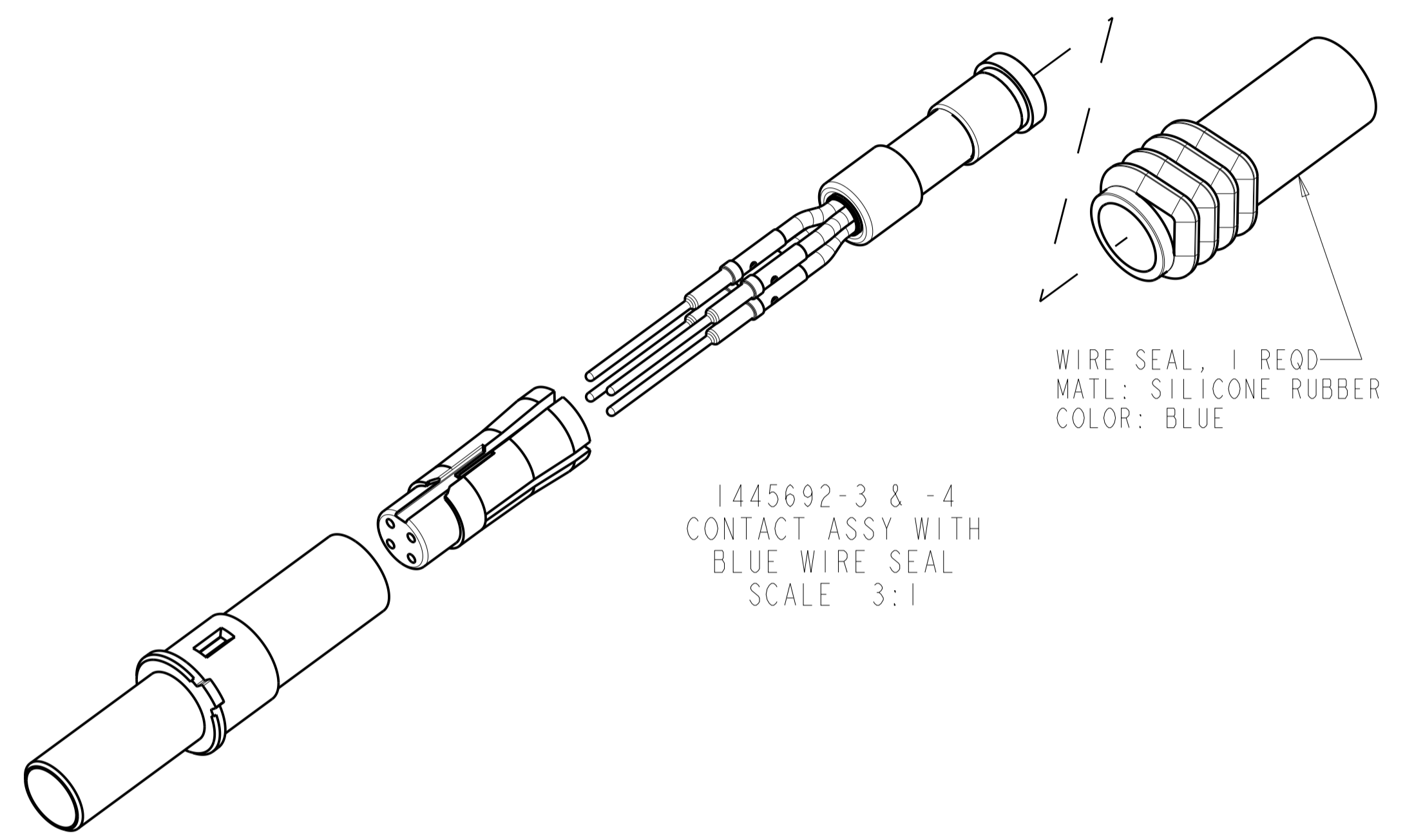
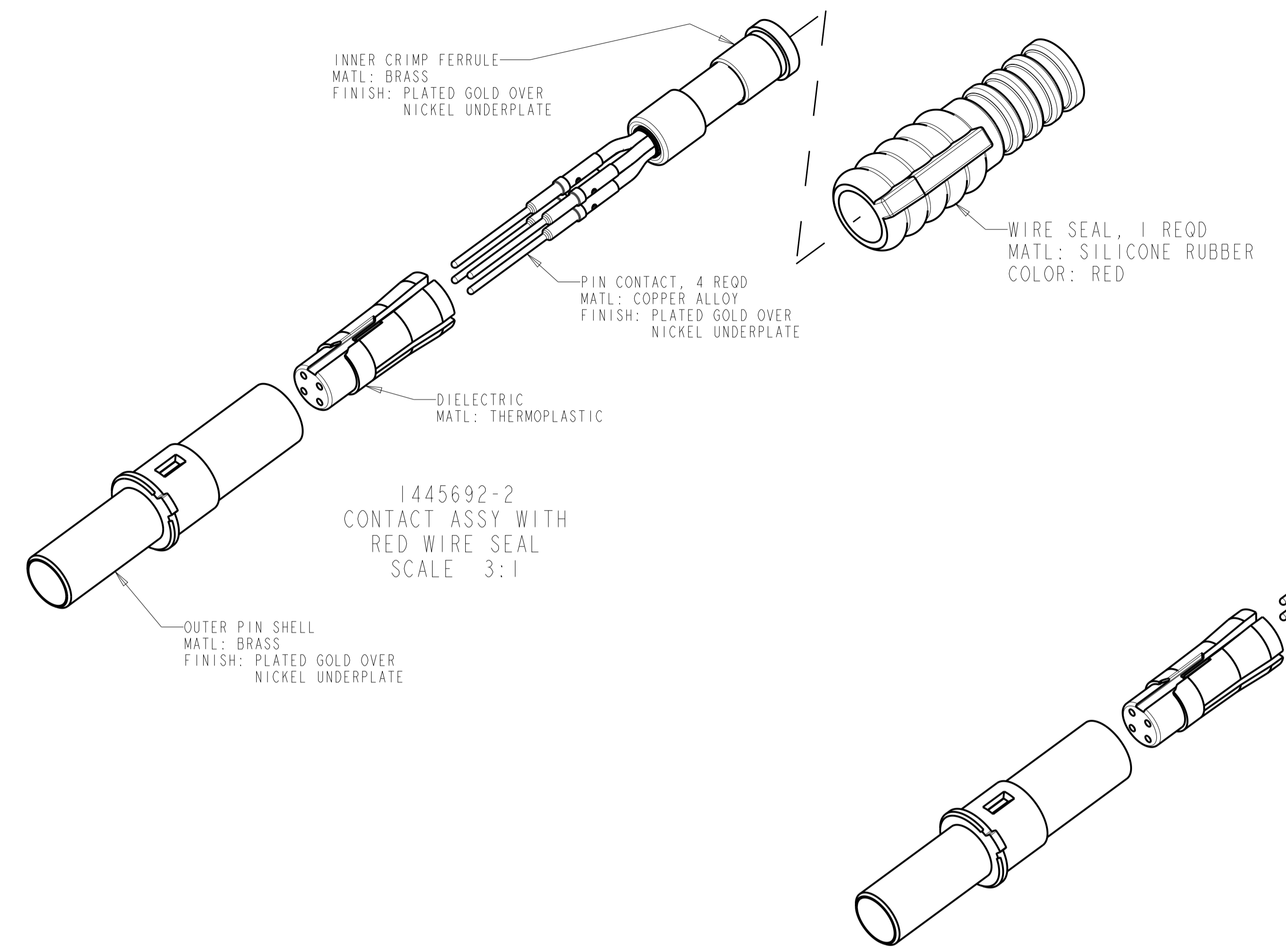
OWN: Brent D. [Signature] 23 JUNE 2004
 CHK: W.H. BERNHART 23 JUNE 2004
 APVD: W.H. BERNHART 23 JUNE 2004

TE Connectivity

ASSEMBLY, PIN, QUADRAx, 2mm SQ, AIRCRAFT DATA NETWORK, RR/RR, WITH PIN CONTACTS

SIZE: A1 CAGE CODE: 1445692 SCALE: 10:1 SHEET: 1 OF 2 REV: H2

REVISIONS				
P.	LTN.	DESCRIPTION	DATE	APVD.
-	-	SEE SHEET 1	-	-



QUADRAX PIN ASSY SHOWN INSTALLED IN
STANDARD ARINC 600, SIZE 1 INSERT
WITH REAR RELEASE, REAR REMOVABLE
SIZE 8 QUADRAX CAVITY

THIS DRAWING IS A CONTROLLED DOCUMENT.		OWN: Brent D. John 23 JUNE 2004	TE Connectivity
DIMENSIONS: mm [INCH]		CHK: W.H. BERNHART 23 JUNE 2004	
TOLERANCES UNLESS OTHERWISE SPECIFIED:		APVD: W.H. BERNHART 23 JUNE 2004	NAME: ASSEMBLY, PIN, QUADRAX, 2mm SO, AIRCRAFT DATA NETWORK, RR/RR, WITH PIN CONTACTS
0 PLC ± .	1 PLC ± 0.2 [0.008]	PRODUCT SPEC:	SIZE: A1
2 PLC ± 0.13 [0.005]	3 PLC ± 0.051 [0.002]	APPLICATION SPEC:	CAGE CODE: 1445692
4 PLC ± .	ANGLES ± .	WEIGHT:	SCALE: 3:1
MATERIAL:	FINISH:	CUSTOMER DRAWING:	SHEET 2 OF 2 REV H2

X-ON Electronics

Largest Supplier of Electrical and Electronic Components

Click to view similar products for [Rack & Panel Connectors](#) category:

Click to view products by [TE Connectivity](#) manufacturer:

Other Similar products are found below :

[00171410002](#) [00171420202](#) [00171440002](#) [02-014-013-5200-000](#) [613467-000](#) [CTJ112E01E-513](#) [CTJ116E03A-513](#) [66020-2](#) [CW8958-000](#)
[699886-000](#) [D250-50632](#) [70.400.3240.0](#) [70.955.2453.3](#) [733753-000](#) [F22831-000](#) [780-522-DPX34RG8-02](#) [8660-501](#) [87.060.0053.0](#)
[900709N001](#) [928358-1](#) [D-659-0061](#) [1-445717-6](#) [1484469-2](#) [1604997-2](#) [MTC100-BF1-P31CS015](#) [MTC100-KT2-0083](#) [MTC100-KT2-0123-](#)
[003](#) [MTC100-YA1-005](#) [MTCPQKT1R2PGCA](#) [MTCR-103-04S](#) [MTCX1X-100-100CS025](#) [1738331-1](#) [1757667-1](#) [1811481-1](#) [1883433-1](#)
[201046-7](#) [202648-4](#) [213364-1](#) [226503-000](#) [937028-164](#) [1663130-2](#) [172305-4](#) [F36711-000](#) [202355-2](#) [202356-2](#) [G16S-A](#) [G20S-AB](#) [CHA-](#)
[0017-003](#) [CHA-0296](#) [354654-000](#)