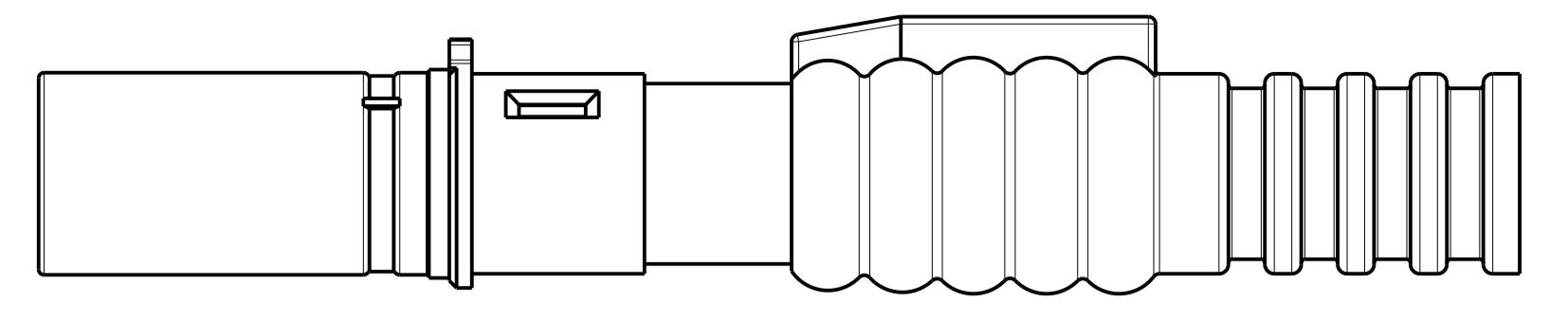
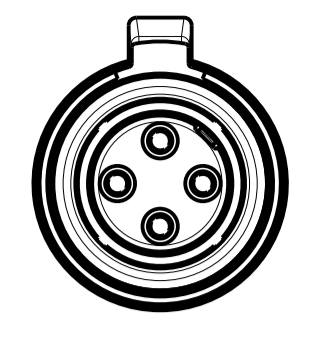
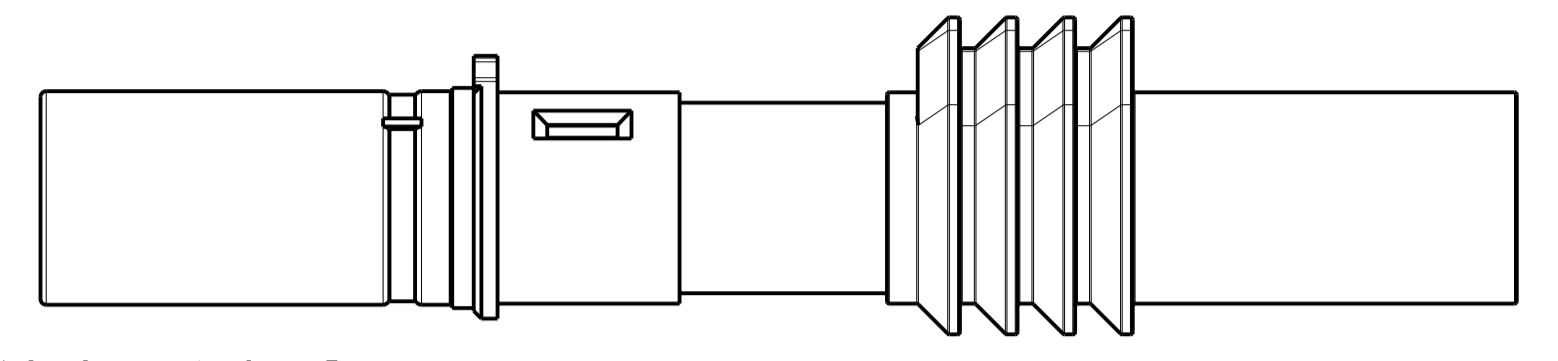
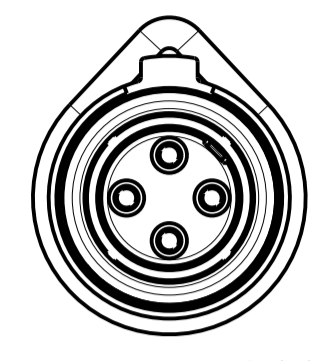


MATING FACE VIEW

CONTACT CAVITY NUMBERING
STANDARD CAVITY NUMBER ASSIGNMENT

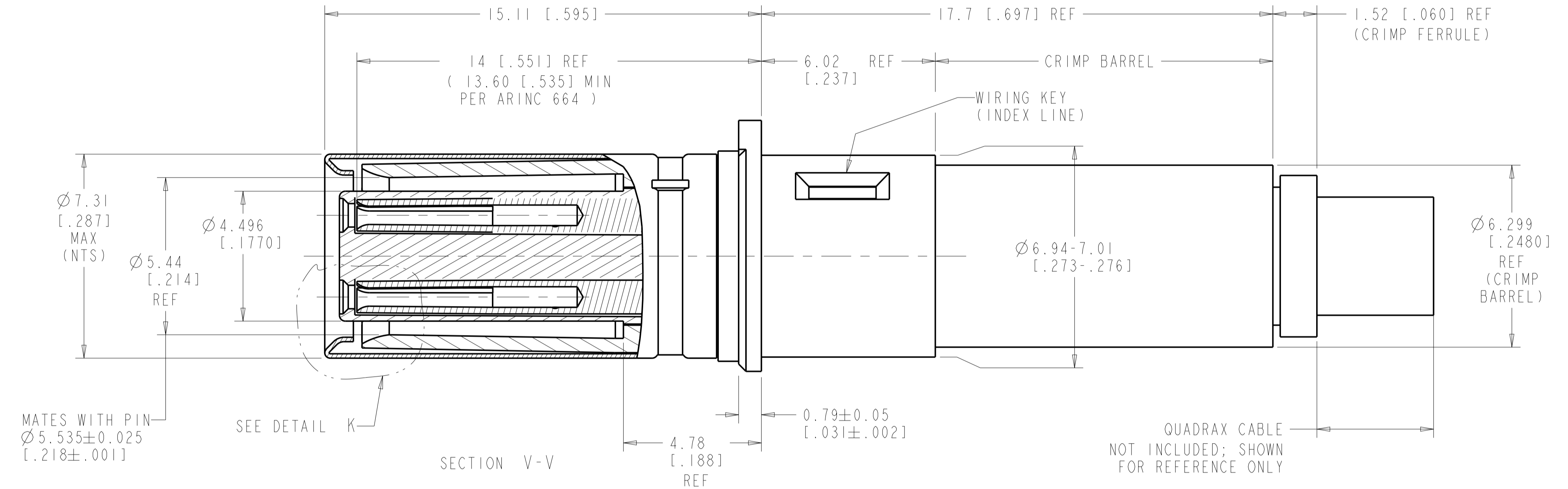
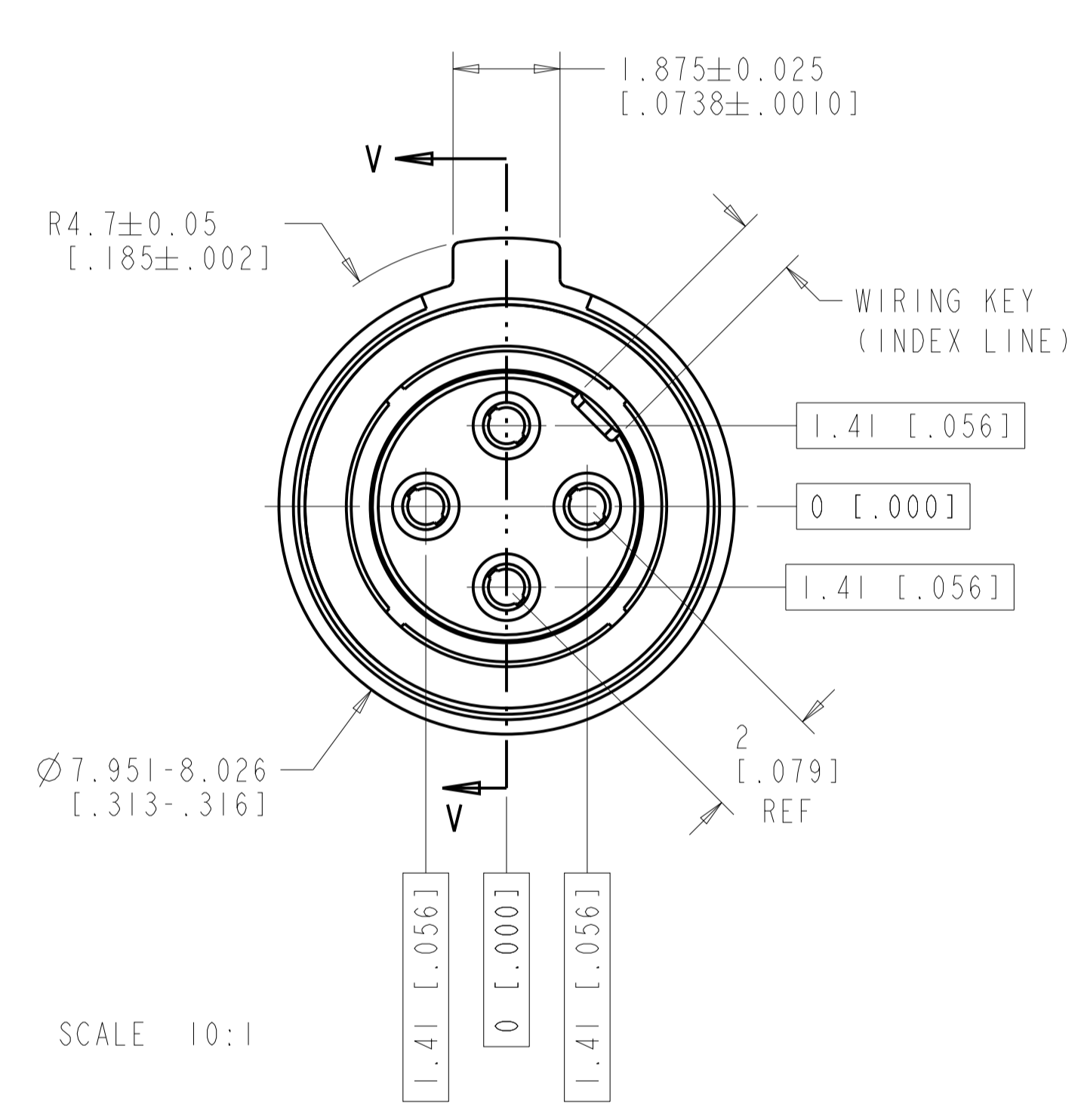


1445693-2
SCALE 4:1

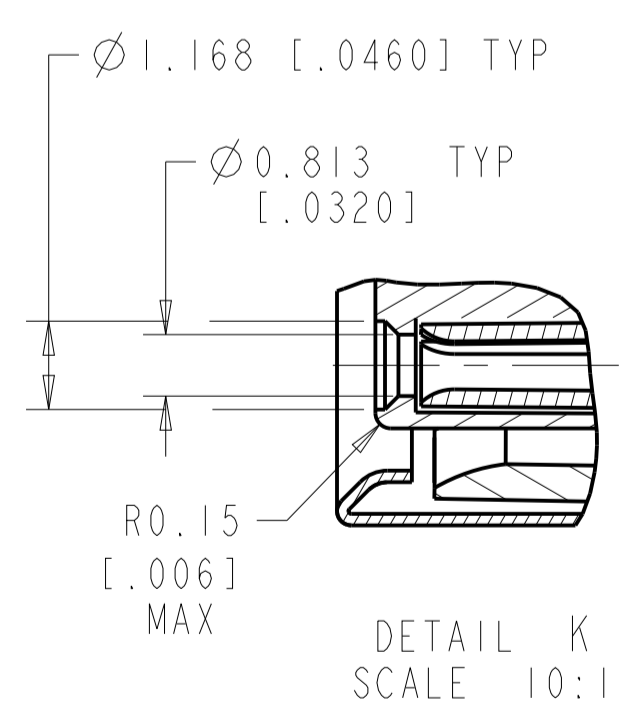


1445693-3, -4 & -5
SCALE 4:1

REVISIONS				
REV	LTN	DESCRIPTION	DATE	APVD
K		REV PER ECO 14-011279	10-7-14	CT DM



MATES WITH PIN
Ø5.535±0.025
[.218±.001]



DETAIL K
SCALE 10:1

- COMPONENTS ARE PACKAGED IN KIT FORM. CABLE MUST BE PURCHASED SEPARATELY.
- ASSEMBLY PER APPLICATION SPECIFICATION 114-13123.
- USE INSERTION-EXTRACTION TOOL 1738894-1.
- TENSOLITE NF24Q100 OR EQUIVALENT
- DRAKA F4704-4 OR EQUIVALENT
- REDUCED SIZE OF TEC INSTRUCTION SHEET 408-32112 INCLUDED IN EACH KIT.

RECOMMENDED CABLE	CUSTOMER PART NUMBER	SEAL COLOR	DESCRIPTION	PART NO.
4	BACC47GB2	---	SAME AS -4 EXCEPT WITHOUT WIRE SEAL	1445693-9
5	---	-	AS SHOWN WITHOUT WIRE SEAL	1445693-6
5	---	BLUE	AS SHOWN WITH WIRE SEAL	1445693-5
4	BACC47GB1	BLUE	SAME AS -1 EXCEPT WITH WIRE SEAL	1445693-4
4	---	BLUE	SAME AS -1 EXCEPT WITH WIRE SEAL	1445693-3
4	---	RED	SAME AS -1 EXCEPT WITH WIRE SEAL	1445693-2
4 6	---	--	AS SHOWN; WITHOUT WIRE SEAL	1445693-1

THIS DRAWING IS A CONTROLLED DOCUMENT.

OWN: Brent D. 23 JUNE 2004
CHK: W.H. BERNHART 23 JUNE 2004
APVD: W.H. BERNHART 23 JUNE 2004

DIMENSIONS: mm [INCH]

TOLERANCES UNLESS OTHERWISE SPECIFIED:
0 PLC ±.01 [.001]
1 PLC ±0.2 [.008]
2 PLC ±0.13 [.005]
3 PLC ±0.051 [.002]
4 PLC ±.01 [.001]
ANGLES ±.01

MATERIAL: - FINISH: - WEIGHT: -

PRODUCT SPEC: - APPLICATION SPEC: -

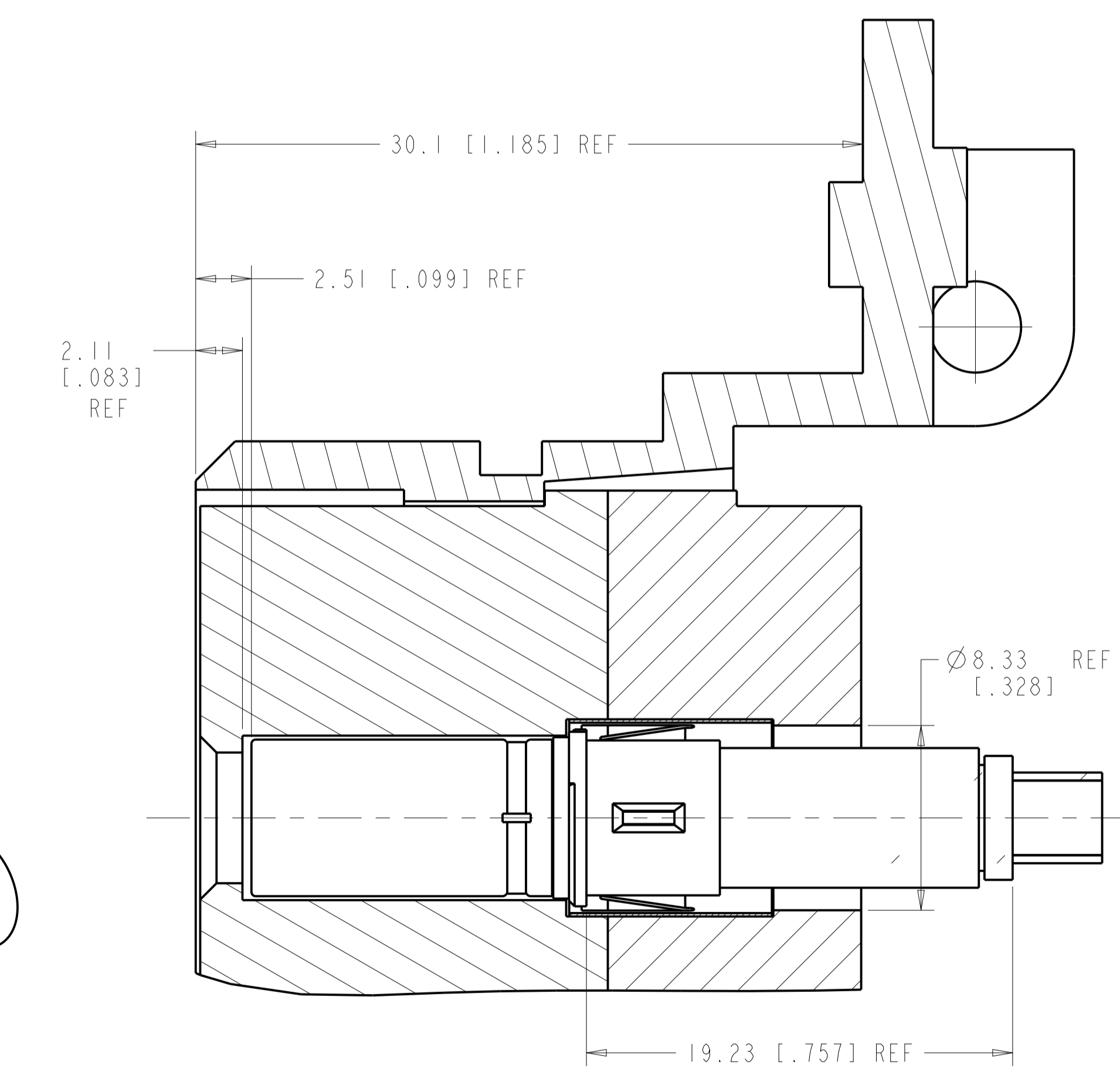
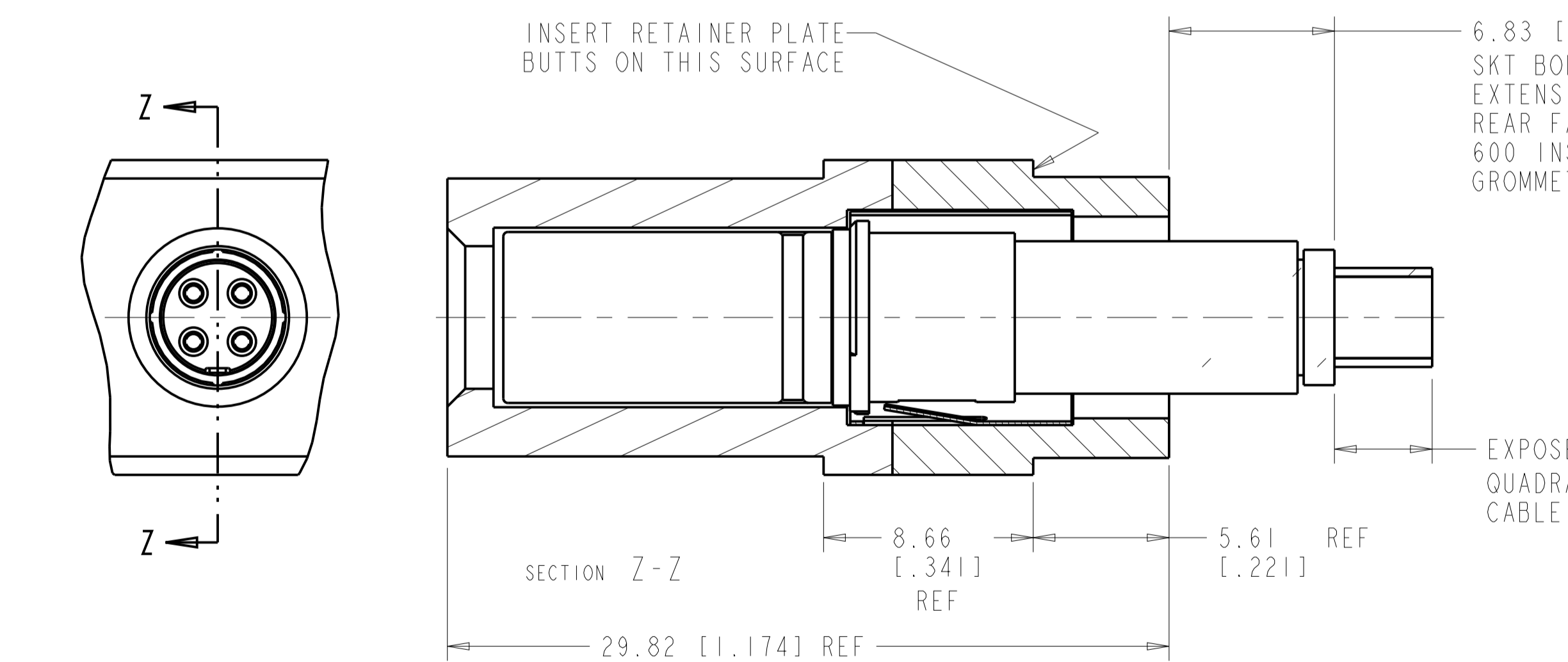
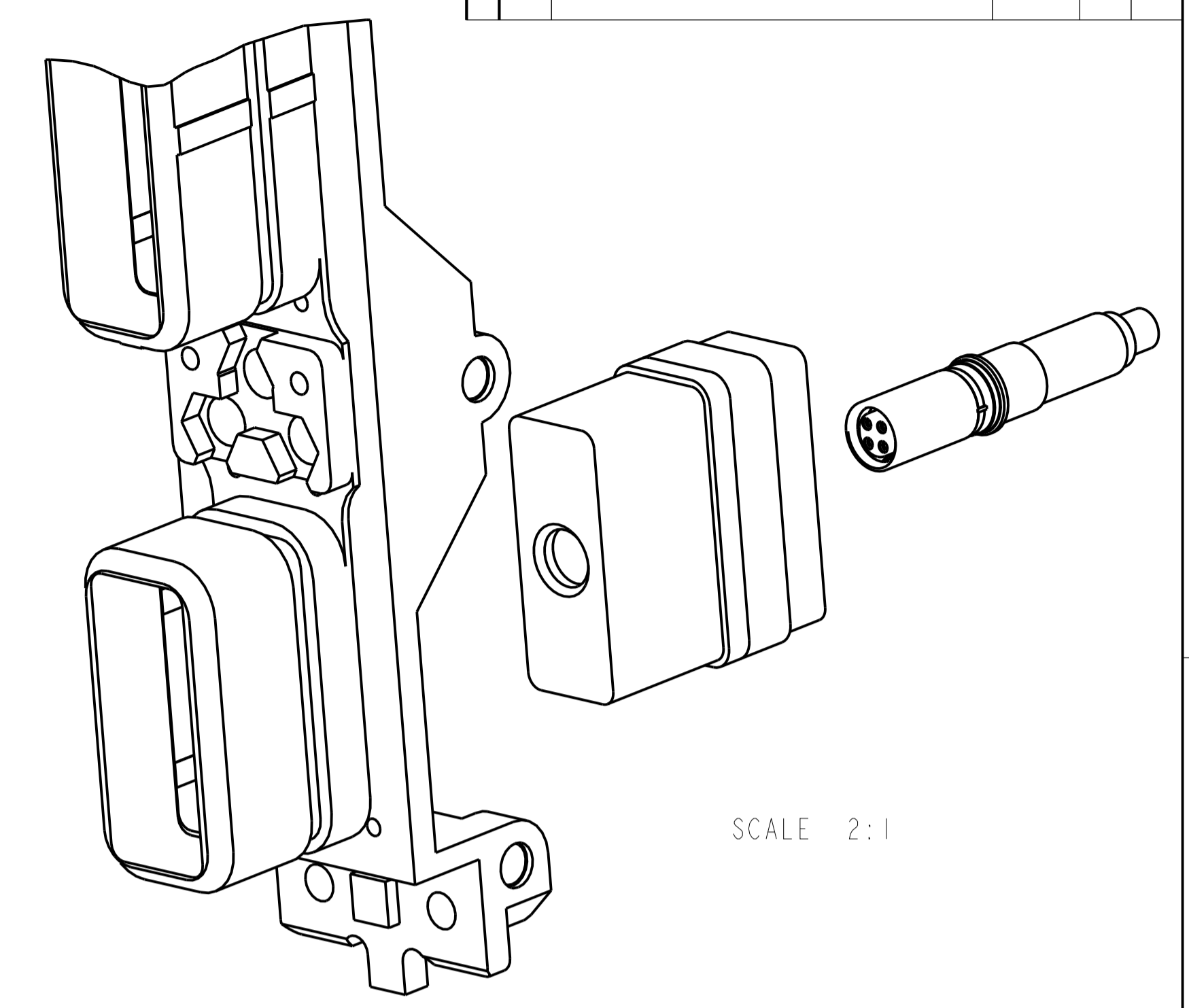
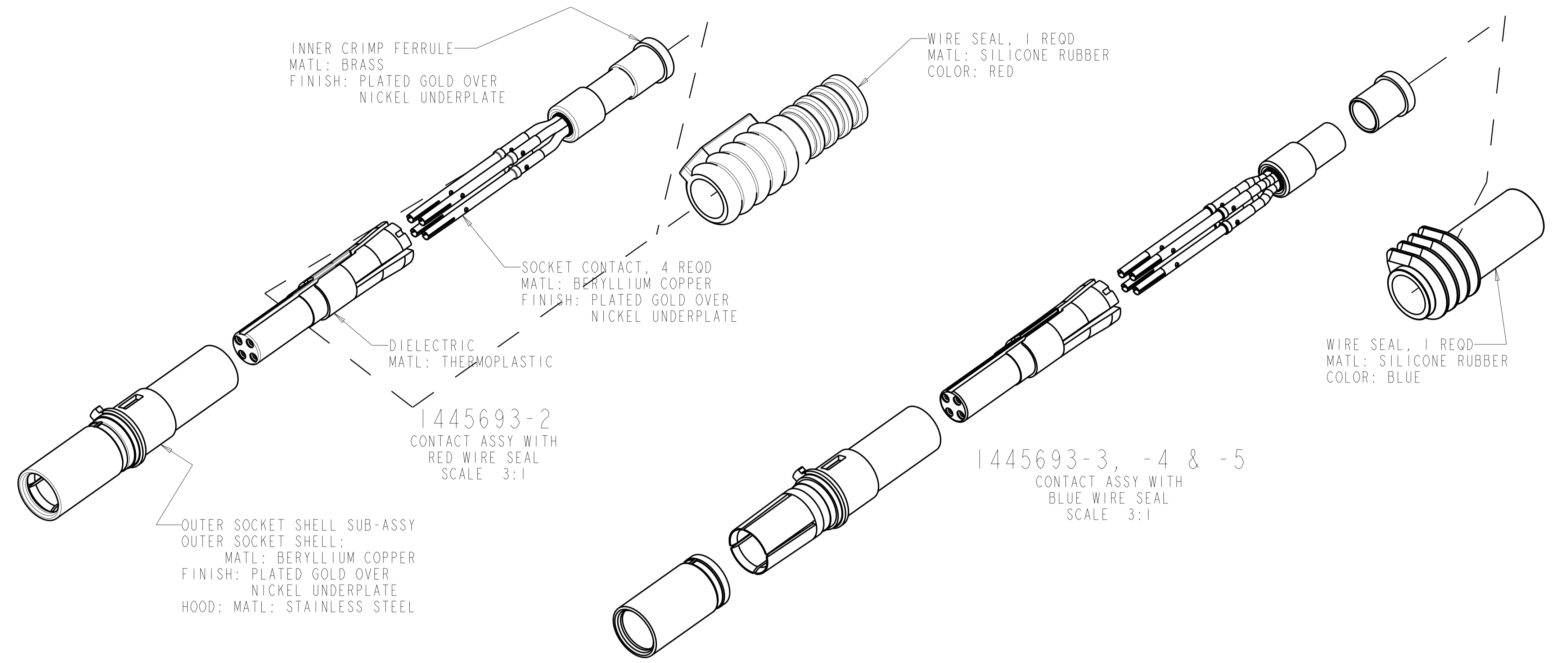
SIZE: A1 CAGE CODE: - DRAWING NO: C=1445693 RESTRICTED TO: -

CUSTOMER DRAWING SCALE: 10:1 SHEET: 1 OF 2 REV: K

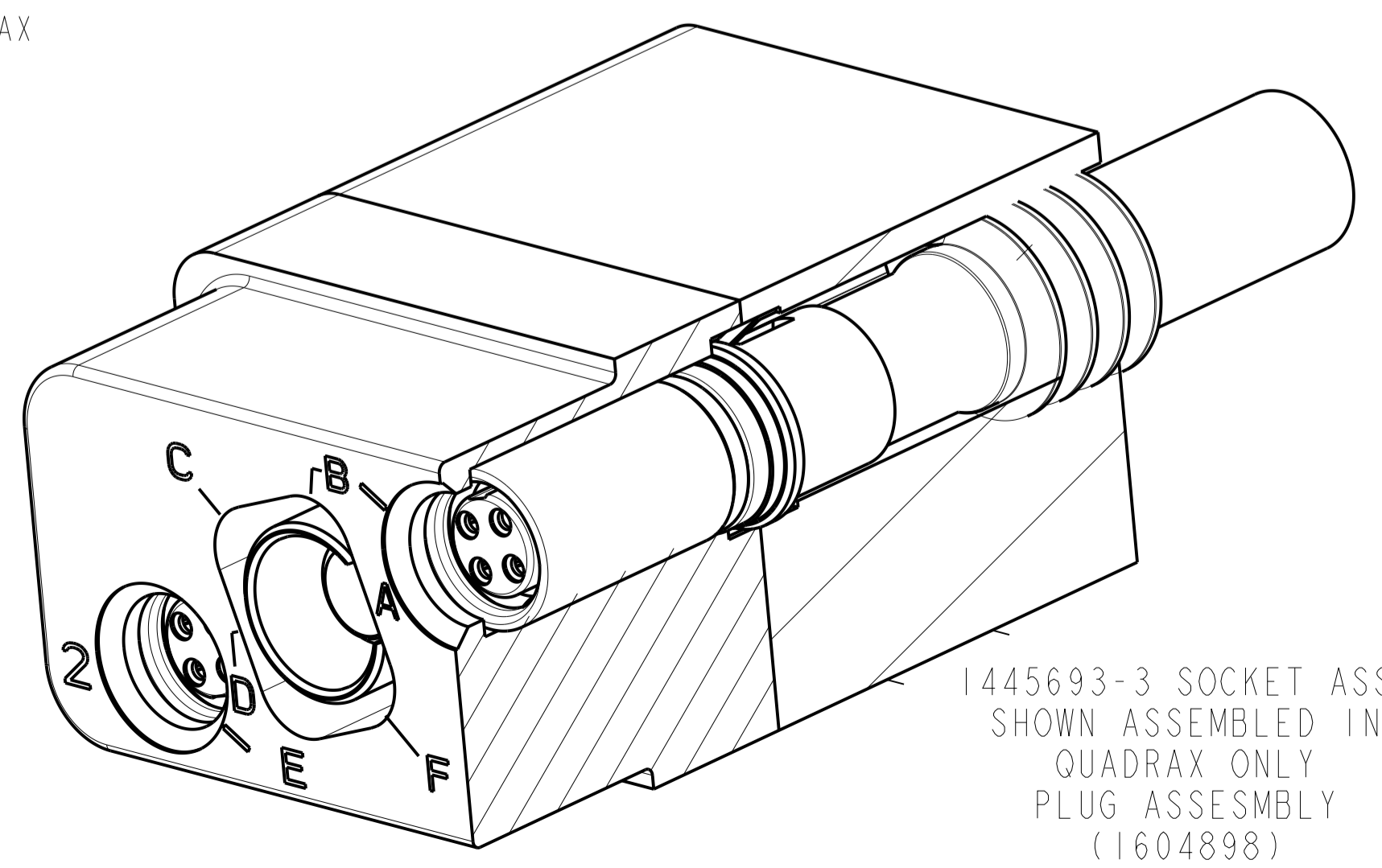
STE TE Connectivity

ASSEMBLY, SOCKET, QUADRAX, 2mm SQ, AIRCRAFT DATA NETWORK, RR/RR WITH SOCKET CONTACTS

REVISIONS				
P.	LTN	DESCRIPTION	DATE	OWN APVD
--		SEE SHEET 1	-	-



QUADRAX SOCKET ASSY SHOWN INSTALLED IN STANDARD ARINC 600, SIZE 1 INSERT WITH REAR RELEASE, REAR REMOVABLE SIZE 8 QUADRAX CAVITY



THIS DRAWING IS A CONTROLLED DOCUMENT.		OWN Brent D. Lohm 23 JUNE 2004	TE Connectivity
DIMENSIONS: mm [INCH]		CHK W. H. BERNHART 23 JUNE 2004	
TOLERANCES UNLESS OTHERWISE SPECIFIED:		APVD W. H. BERNHART	NAME ASSEMBLY, SOCKET, QUADRAX, 2mm SQ, AIRCRAFT DATA NETWORK, RR/RR WITH SOCKET CONTACTS
0 PLC	±	PRODUCT SPEC	RESTRICTED TO
1 PLC	±0.2 [1.008]	APPLICATION SPEC	
2 PLC	±0.13 [1.005]		
3 PLC	±0.081 [1.002]		
4 PLC	±		
ANGLES	±		
MATERIAL		WEIGHT	SIZE A1
FINISH		CUSTOMER DRAWING	CAGE CODE 1445693
			SCALE 3:1
			SHEET 2 OF 2
			REV K

X-ON Electronics

Largest Supplier of Electrical and Electronic Components

Click to view similar products for [Rack & Panel Connectors](#) category:

Click to view products by [TE Connectivity](#) manufacturer:

Other Similar products are found below :

[00171410002](#) [00171420202](#) [00171440002](#) [02-014-013-5200-000](#) [613467-000](#) [CTJ112E01E-513](#) [CTJ116E03A-513](#) [66020-2](#) [CW8958-000](#)
[699886-000](#) [D250-50632](#) [70.400.3240.0](#) [70.955.2453.3](#) [733753-000](#) [F22831-000](#) [780-522-DPX34RG8-02](#) [8660-501](#) [87.060.0053.0](#)
[900709N001](#) [928358-1](#) [D-659-0061](#) [1-445717-6](#) [1484469-2](#) [1604997-2](#) [MTC100-BF1-P31CS015](#) [MTC100-KT2-0083](#) [MTC100-KT2-0123-](#)
[003](#) [MTC100-YA1-005](#) [MTCQKT1R2PGCA](#) [MTCR-103-04S](#) [MTCX1X-100-100CS025](#) [1738331-1](#) [1757667-1](#) [1811481-1](#) [1883433-1](#)
[201046-7](#) [202648-4](#) [213364-1](#) [226503-000](#) [937028-164](#) [1663130-2](#) [172305-4](#) [F36711-000](#) [202355-2](#) [202356-2](#) [G16S-A](#) [G20S-AB](#) [CHA-](#)
[0017-003](#) [CHA-0296](#) [354654-000](#)