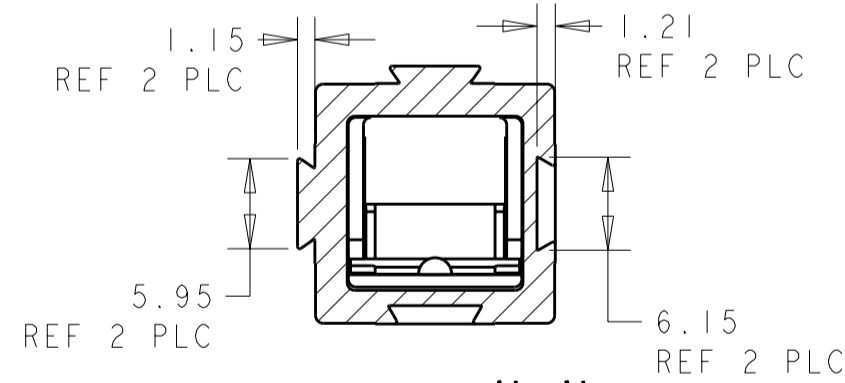
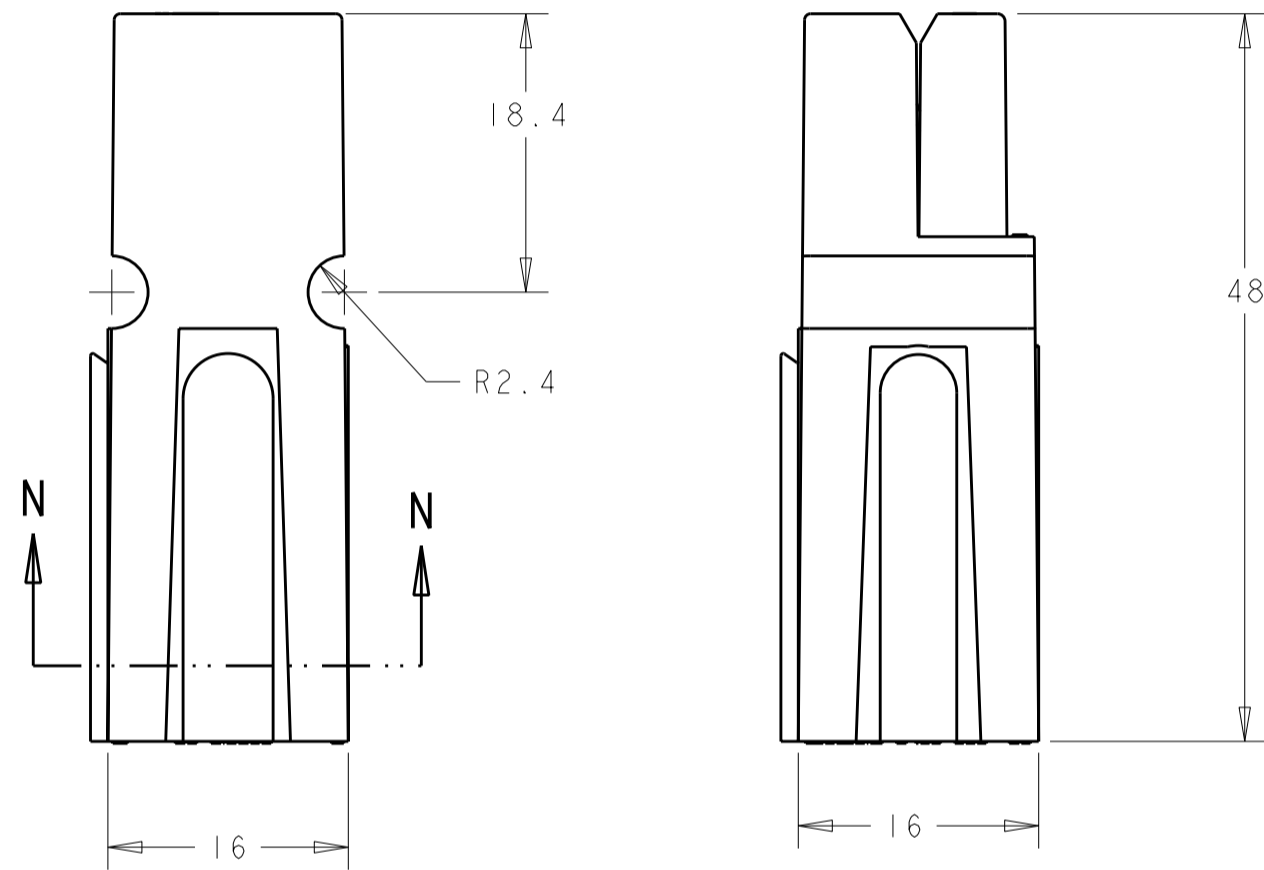


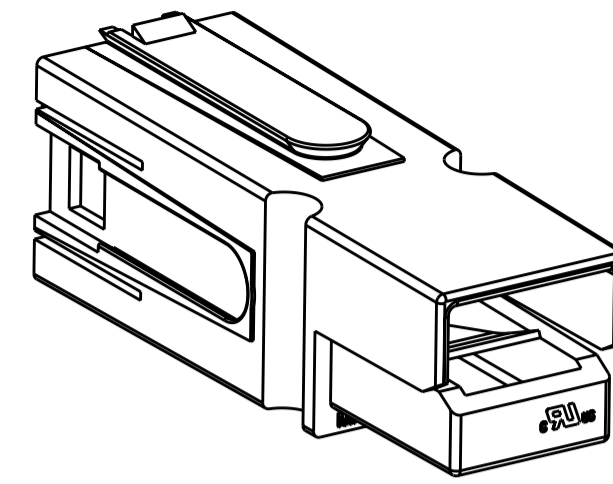
PART NUMBERS
 1445715-1 THRU 1445715-5
 WITHOUT LOCKING FEATURE



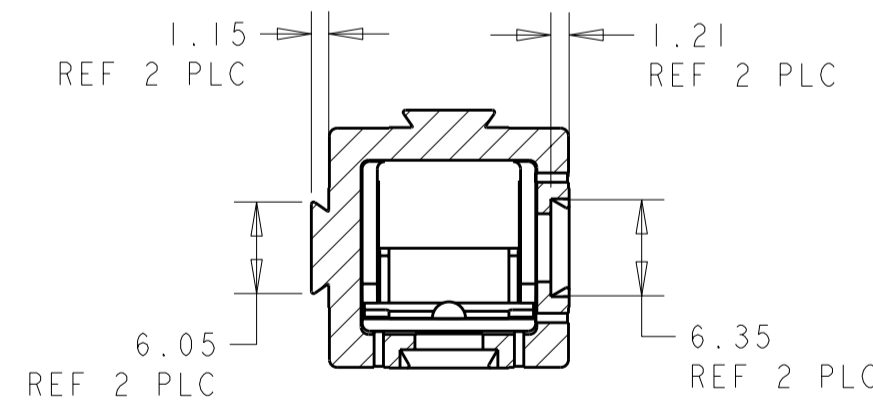
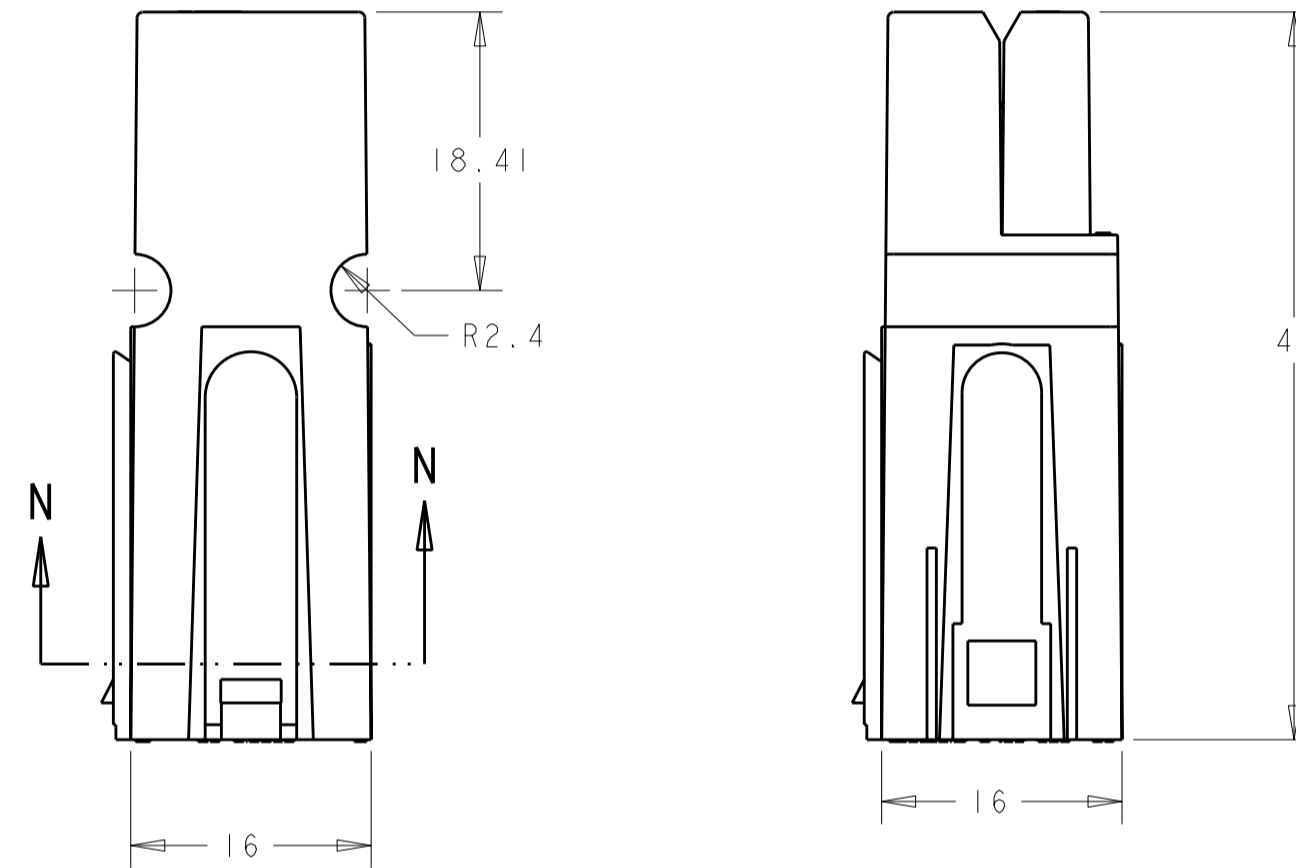
SECTION N-N

1445715-1 TO 1445715-5
 WITHOUT LOCKING FEATURE

LOC	DIST	REVISIONS					
CM	00	P	LTR	DESCRIPTION	DATE	DWN	APVD
		B		REVISED PER ECO-11-008363	18MAY2011	HMR	DY



PART NUMBERS
 1445715-6 THRU 1-1445715-0
 WITH LOCKING FEATURE



SECTION N-N

1445715-6 TO 1-1445715-0
 WITH LOCKING FEATURE

1. THIS PRODUCT HAS PASSED VERIFICATION AND AGENCY APPROVALS TESTING AND IS COMPONENT RECOGNIZED PER UL 1977 AND CSA 22.2. TYCO ELECTRONICS PRODUCT QUALIFICATION TESTING IS NOT YET COMPLETED.

WITH LOCKING FEATURE	RED	1-1445715-0
WITH LOCKING FEATURE	GREEN	1445715-9
WITH LOCKING FEATURE	WHITE	1445715-8
WITH LOCKING FEATURE	BLACK	1445715-7
WITH LOCKING FEATURE	BLUE	1445715-6
WITHOUT LOCKING FEATURE	RED	1445715-5
WITHOUT LOCKING FEATURE	GREEN	1445715-4
WITHOUT LOCKING FEATURE	WHITE	1445715-3
WITHOUT LOCKING FEATURE	BLACK	1445715-2
WITHOUT LOCKING FEATURE	BLUE	1445715-1
DESCRIPTION	COLOR	PART NUMBER

THIS DRAWING IS A CONTROLLED DOCUMENT.		DWN	BH	04OCT01	TE Connectivity NAME CONNECTOR ASSEMBLY, AMP POWER SERIES 75			
DIMENSIONS:		CHK	KAK	04OCT01				
mm		APVD	KAK	04OCT01				
		PRODUCT SPEC						
TOLERANCES UNLESS OTHERWISE SPECIFIED:		APPLICATION SPEC			SIZE	CAGE CODE	DRAWING NO	RESTRICTED TO
0 PLC	±	WEIGHT		-	A2	00779	C-1445715	-
1 PLC	±	CUSTOMER DRAWING			SCALE	2:1	SHEET	1 OF 1
2 PLC	±0.13							REV
3 PLC	±							B
4 PLC	±							
ANGLES	±							
FINISH								



X-ON Electronics

Largest Supplier of Electrical and Electronic Components

Click to view similar products for [Power to the Board](#) category:

Click to view products by [TE Connectivity](#) manufacturer:

Other Similar products are found below :

[6450171-4](#) [6450552-7](#) [6600323-8](#) [6643429-1](#) [6646040-2](#) [6651939-1](#) [6766604-1](#) [120959-1](#) [1393557-2](#) [1393532-2](#) [1393532-3](#) [1393532-4](#)
[1393557-1](#) [1600812-5](#) [1-6450861-2](#) [1744132-7](#) [1761122-1](#) [1766250-1](#) [1892109-1](#) [2-6450860-5](#) [2-6450870-0](#) [1-6450161-4](#) [1-6450850-6](#) [1-6450869-6](#) [1645526-2](#) [1-6600130-0](#) [2005243-2](#) [377-0020-11130](#) [TE34-12-16P-F0](#) [5-6450830-6](#) [5646956-4](#) [377-0080-11131A](#) [4-6450830-9](#)
[4-6600333-3](#) [10125416-4050LF](#) [6600320-3](#) [3-6450860-5](#) [1888123-2](#) [6450166-1](#) [6643978-1](#) [6766605-1](#) [701-15-02109](#) [N11444](#) [6651938-1](#)
[6450810-7](#) [46437-1112](#) [1-1589677-8](#) [5646956-5](#) [6450813-2](#) [6450129-4](#)