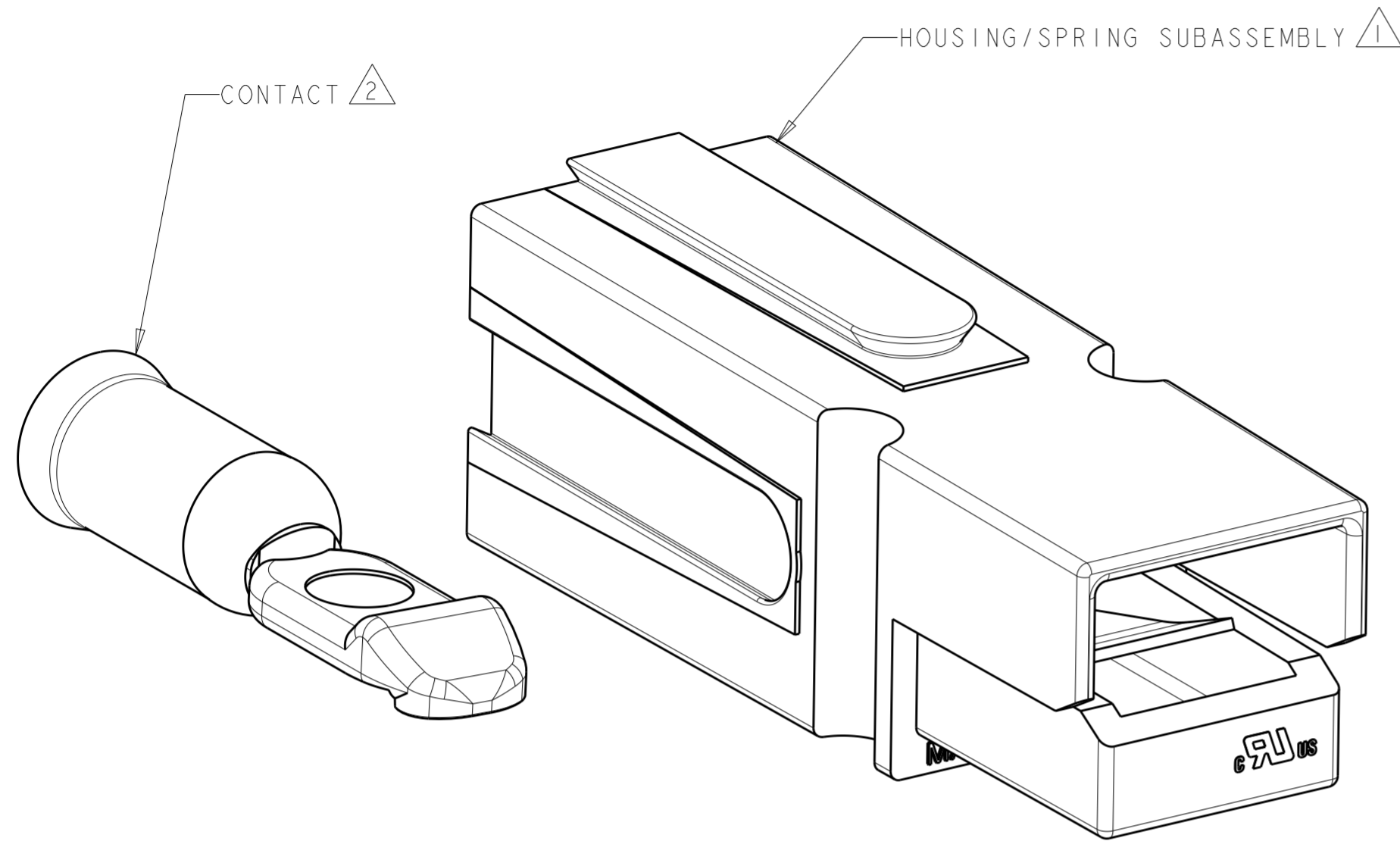
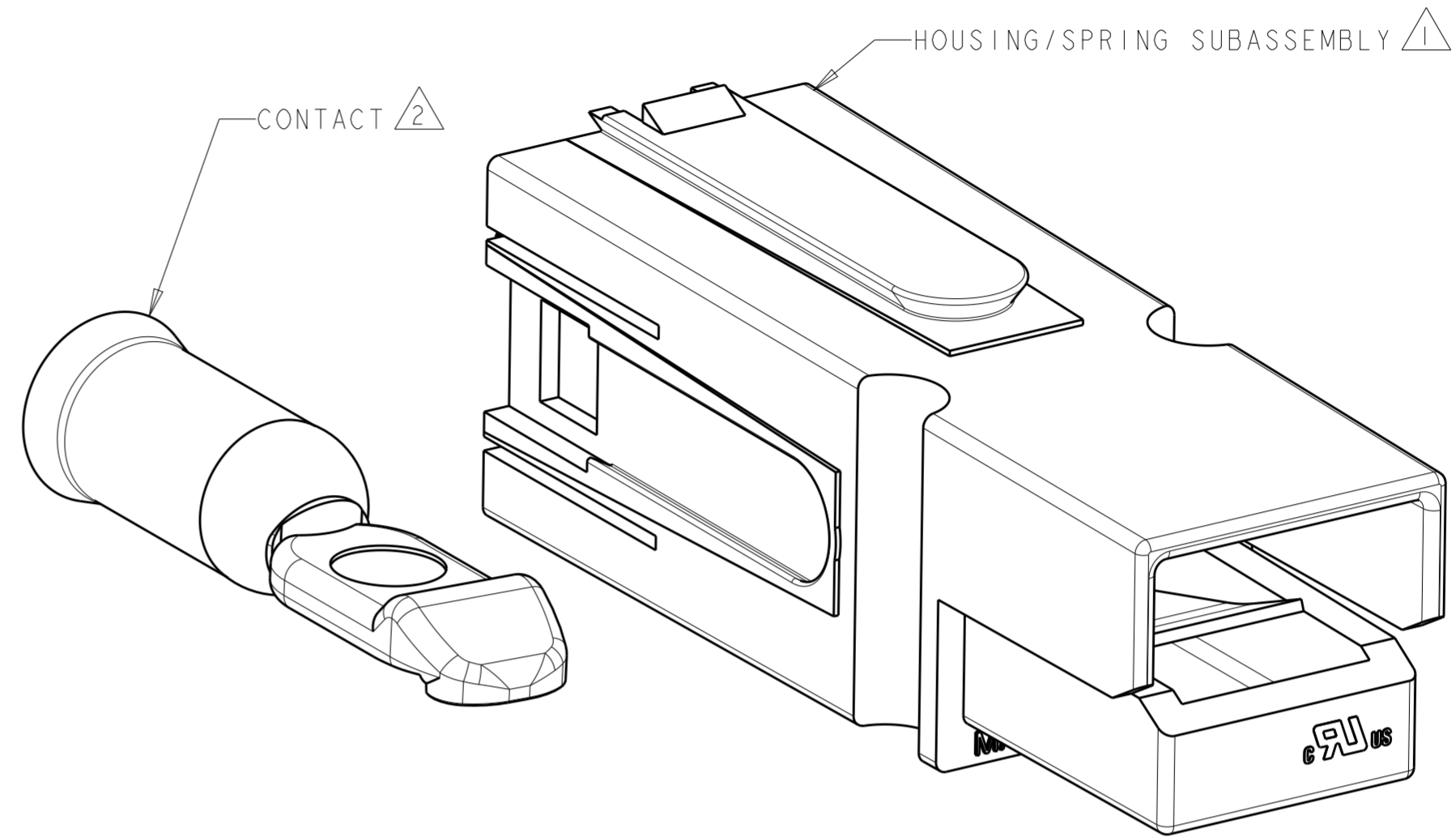


THIS DRAWING IS UNPUBLISHED. RELEASED FOR PUBLICATION 20
 © COPYRIGHT 20 BY - ALL RIGHTS RESERVED.

| REVISIONS | | | | |
|-----------|-----|--------------------------|-----------|-------|
| P | LTR | DESCRIPTION | DATE | APVD |
| A3 | | ADD NEW PART 1-1 AND 1-2 | 28SEP2014 | AY SZ |
| | | | | |
| | | | | |



PART NUMBER 1445716-1 THRU 1445716-5
(WITHOUT LOCKING FEATURE)

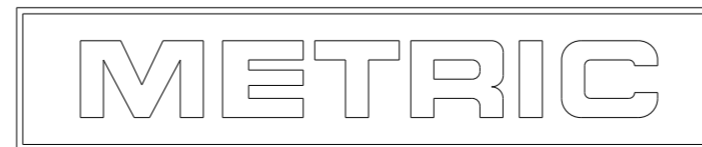


PART NUMBER 1445716-6 THRU 1-1445716-0
(WITH LOCKING FEATURE)

1 HOUSING MATERIAL: POLYCARBONATE UL94VO.

2 CONTACT MATERIAL: COPPER
PLATING: SILVER

3. THIS PRODUCT HAS PASSED VERIFICATION AND AGENCY APPROVALS TESTING AND IS COMPONENT RECOGNIZED PER UL 1977 AND CSA 22.2. TE CONNECTIVITY PRODUCT QUALIFICATION TESTING IS NOT YET COMPLETED.



| | | | |
|-------------------------|-----------|------------------------------|-------------|
| WITHOUT LOCKING FEATURE | 647879-1 | 1445715-2 (BLACK) | 1-1445716-2 |
| WITHOUT LOCKING FEATURE | 647879-1 | 1445715-1 (BLUE) | 1-1445716-1 |
| WITH LOCKING FEATURE | 647877-1 | 1-1445715-0 (RED) | 1-1445716-0 |
| WITH LOCKING FEATURE | 647877-1 | 1445715-9 (GREEN) | 1445716-9 |
| WITH LOCKING FEATURE | 647877-1 | 1445715-8 (WHITE) | 1445716-8 |
| WITH LOCKING FEATURE | 647877-1 | 1445715-7 (BLACK) | 1445716-7 |
| WITH LOCKING FEATURE | 647877-1 | 1445715-6 (BLUE) | 1445716-6 |
| WITHOUT LOCKING FEATURE | 647877-1 | 1445715-5 (RED) | 1445716-5 |
| WITHOUT LOCKING FEATURE | 647877-1 | 1445715-4 (GREEN) | 1445716-4 |
| WITHOUT LOCKING FEATURE | 647877-1 | 1445715-3 (WHITE) | 1445716-3 |
| WITHOUT LOCKING FEATURE | 647877-1 | 1445715-2 (BLACK) | 1445716-2 |
| WITHOUT LOCKING FEATURE | 647877-1 | 1445715-1 (BLUE) | 1445716-1 |
| DESCRIPTION | 2 CONTACT | 1 HOUSING/SPRING SUBASSEMBLY | PART NUMBER |

| | | | | | | |
|---|--|-------------------------------|------------------|-----------------|----------------------|---------------|
| THIS DRAWING IS A CONTROLLED DOCUMENT. | | DWN BH 19OCT01 | TE Connectivity | | | |
| DIMENSIONS: mm | | CHK KAK 19OCT01 | | | | |
| TOLERANCES UNLESS OTHERWISE SPECIFIED: | | APVD KAK 19OCT01 | | | | |
| 0 PLC ± 1 PLC ± 2 PLC ±0.13 3 PLC ± 4 PLC ± ANGLES ± FINISH ± | | NAME KIT, AMP POWER SERIES 75 | | | | |
| MATERIAL | | PRODUCT SPEC | SIZE A2 | CAGE CODE 00779 | DRAWING NO C-1445716 | RESTRICTED TO |
| | | APPLICATION SPEC | SCALE 4:1 | | SHEET 1 OF 1 | REV A3 |
| | | WEIGHT | CUSTOMER DRAWING | | | |

X-ON Electronics

Largest Supplier of Electrical and Electronic Components

Click to view similar products for [Power to the Board](#) category:

Click to view products by [TE Connectivity](#) manufacturer:

Other Similar products are found below :

[6450171-4](#) [6450552-7](#) [6600323-8](#) [6643429-1](#) [6646040-2](#) [6651939-1](#) [6766604-1](#) [120959-1](#) [1393557-2](#) [1393532-2](#) [1393532-3](#) [1393532-4](#)
[1393557-1](#) [1600812-5](#) [1-6450861-2](#) [1744132-7](#) [1761122-1](#) [1766250-1](#) [1892109-1](#) [2-6450860-5](#) [2-6450870-0](#) [1-6450161-4](#) [1-6450850-6](#) [1-](#)
[6450869-6](#) [1645526-2](#) [1-6600130-0](#) [2005243-2](#) [377-0020-11130](#) [TE34-12-16P-F0](#) [51700-10201602AALF](#) [5-6450830-6](#) [5646956-4](#) [377-](#)
[0080-11131A](#) [4-6450830-9](#) [4-6600333-3](#) [10125416-4050LF](#) [10130248-005LF](#) [6600320-3](#) [3-6450860-5](#) [1888123-2](#) [6450166-1](#) [6643978-1](#)
[6766605-1](#) [701-15-02109](#) [N11444](#) [6651938-1](#) [6450810-7](#) [46437-1112](#) [1-1589677-8](#) [5646956-5](#)