

THIS DRAWING IS UNPUBLISHED. RELEASED FOR PUBLICATION 20
 © COPYRIGHT 20 BY - ALL RIGHTS RESERVED.

REVISIONS					
P	LTR	DESCRIPTION	DATE	DWN	APVD
B		RELEASED EC 0G3B-0884-03	21JAN2004	SW	HW
C		REVISED PER ECO-17-004650	05APR2017	BDA	MZ

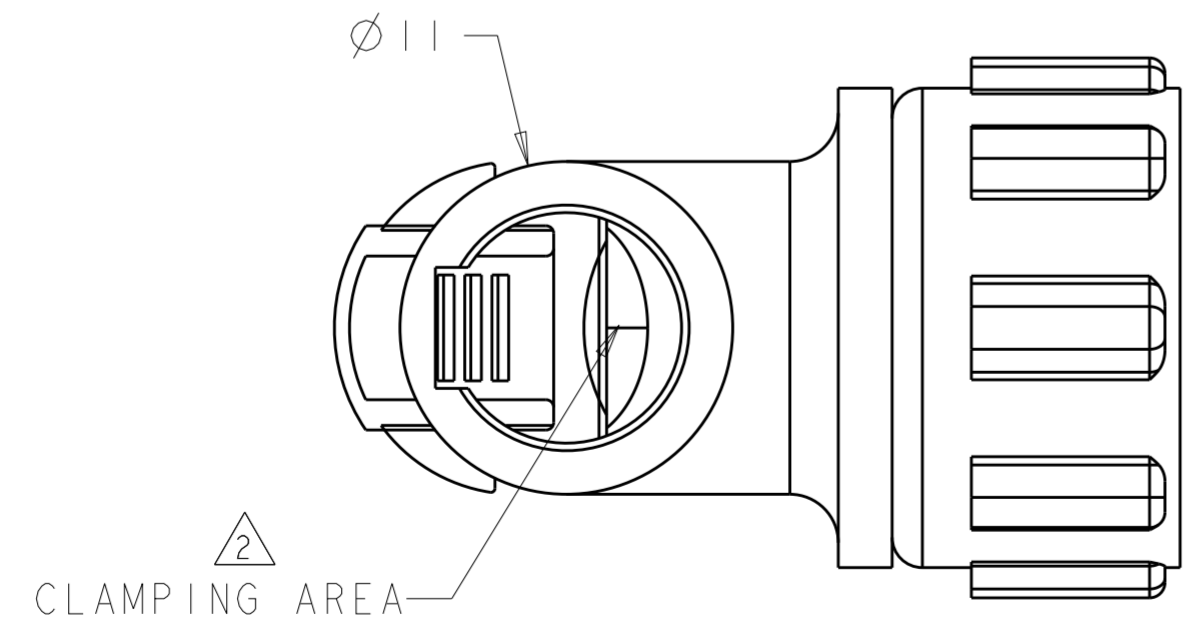
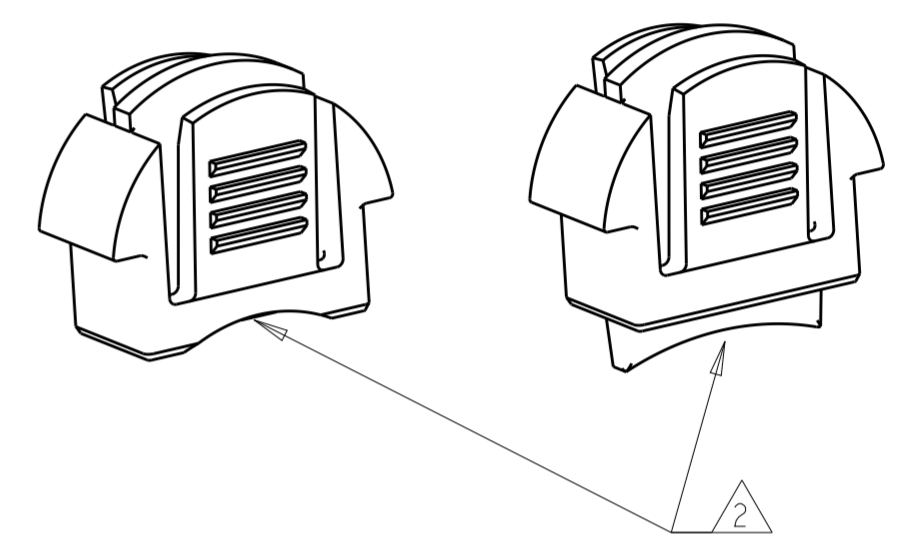
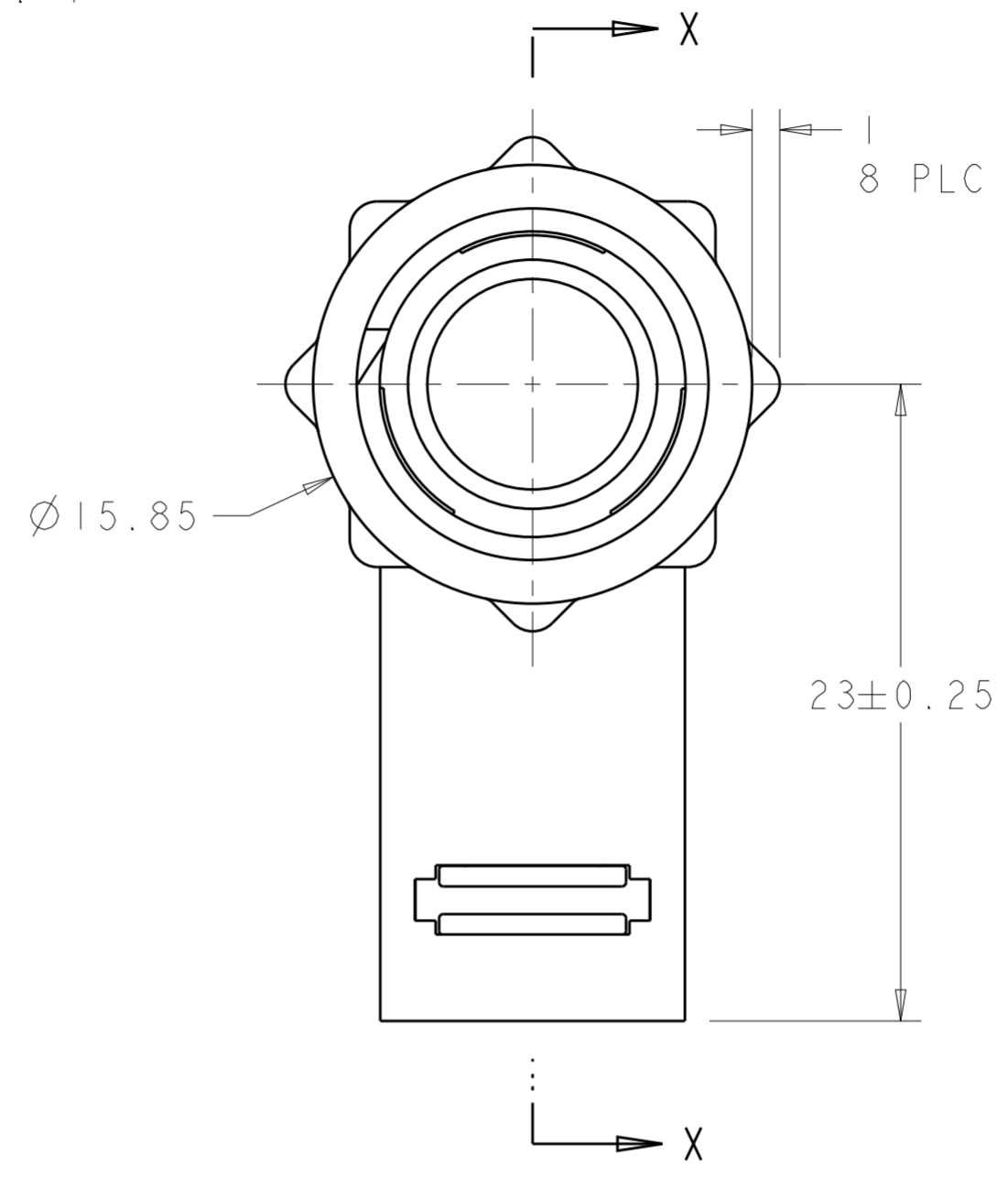
STRAIN RELIEF, RIGHT ANGLE
 THERMOPLASTIC, COLOR: BLACK
 QTY: 1

JAM NUT
 POLYESTER, COLOR: BLACK
 QTY: 1

THERMOPLASTIC, COLOR: BLACK
 CLAMP
 QTY: 2

25.8±0.6

SECTION X-X



- ① PARTS PACKAGED UNASSEMBLED.
- ② CABLE CLAMPING AREA ADJUSTABLE FROM 0.76mm² TO 15.8mm².
- 3. OUTSIDE CABLE DIAMETER: 4.4 MAXIMUM.

OBSOLETE	BULK	1445771-2
	INDIVIDUAL	1445771-1
	PACKAGING	PART NUMBER

THIS DRAWING IS A CONTROLLED DOCUMENT.		DWN 21AUG2001 SHANE WIESE	STE TE Connectivity	
DIMENSIONS: mm		CHK 21AUG2001 G. DOUITY		
TOLERANCES UNLESS OTHERWISE SPECIFIED:		APVD 21JAN2004 H. WAKEEM	NAME ASSEMBLY, STRAIN RELIEF, RIGHT ANGLE, MINI CPC	
0 PLC ±		PRODUCT SPEC -	SIZE CAGE CODE DRAWING NO RESTRICTED TO	
1 PLC ±		APPLICATION SPEC -	A200779 C-1445771	
2 PLC ±0.13		WEIGHT -	SCALE 4:1 SHEET OF REV C	
3 PLC ±		CUSTOMER DRAWING		
4 PLC ±				
ANGLES ±				
FINISH -				

X-ON Electronics

Largest Supplier of Electrical and Electronic Components

Click to view similar products for [Standard Circular Connector](#) category:

Click to view products by [TE Connectivity](#) manufacturer:

Other Similar products are found below :

[5M2530B10P](#) [600259N006](#) [600273N007](#) [6134-336-13149](#) [6134-337-11149](#) [6134-337-2390](#) [6134-341-17149](#) [6280-4SG-516](#) [6280-7SG-3DC](#)
[6290](#) [6291A](#) [66200A-10](#) [680-SMG](#) [681-PMG](#) [CXS3102A14S2P](#) [CXS3102A181S](#) [7271-6SG-300](#) [7282-3PG-300-CH3](#) [75-474618-01S](#) [75-](#)
[474618-04P](#) [75-474618-04S](#) [799539-000](#) [MI8-SE](#) [805-005-07NF11-19PC](#) [805-005-07NF15-7PA](#) [8280-4PG-516](#) [8280-7PG-519](#) [8282-5PG-](#)
[519](#) [836783-1](#) [MP-4102-25P-C](#) [862256-1](#) [864019-2](#) [866857-1](#) [867865-1](#) [PT01SP-14-18P](#) [PT08P-14-5S](#) [120-1833-000](#)
[QCM019PC2DC012B](#) [1-2069279-1](#) [121583-0217](#) [121667-0020](#) [129591AU](#) [1000B BULK](#) [RD10A16-19-P6CS051/1](#) [RD10A20-31-](#)
[P8CS051/1](#) [RD16A14-12-S6CS051/2](#) [1301240290](#) [1301240347](#) [1301860202](#) [1301240268](#) [1301240275](#)