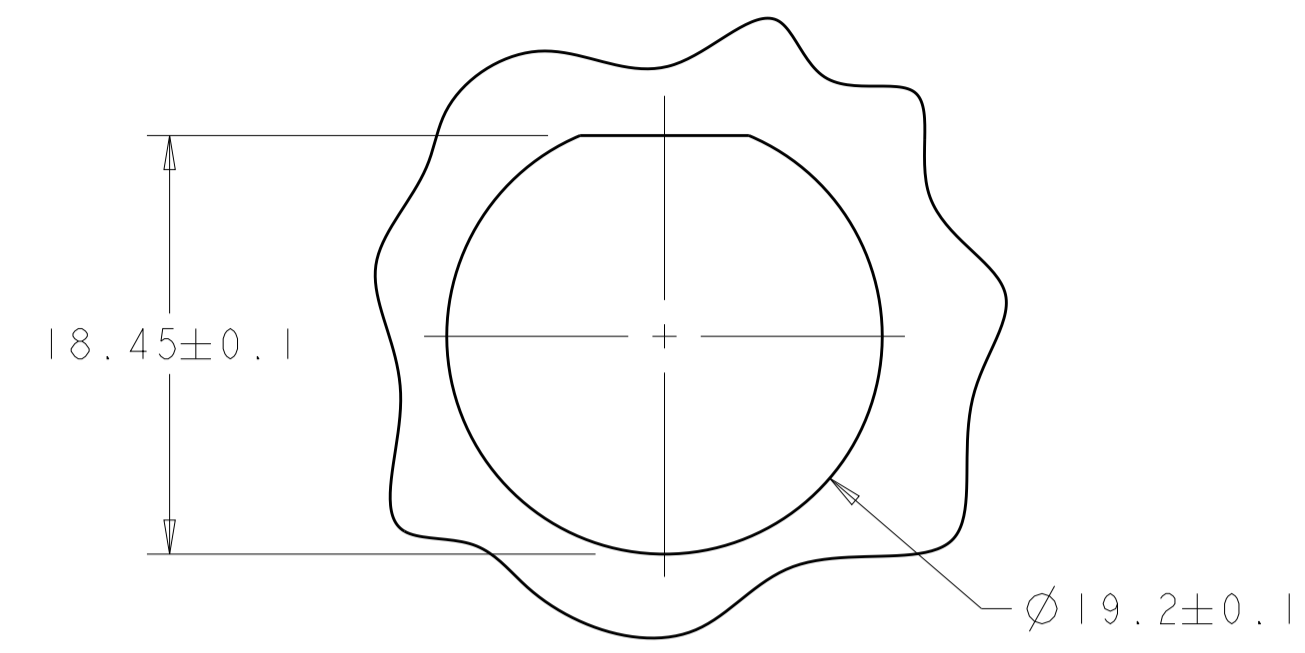
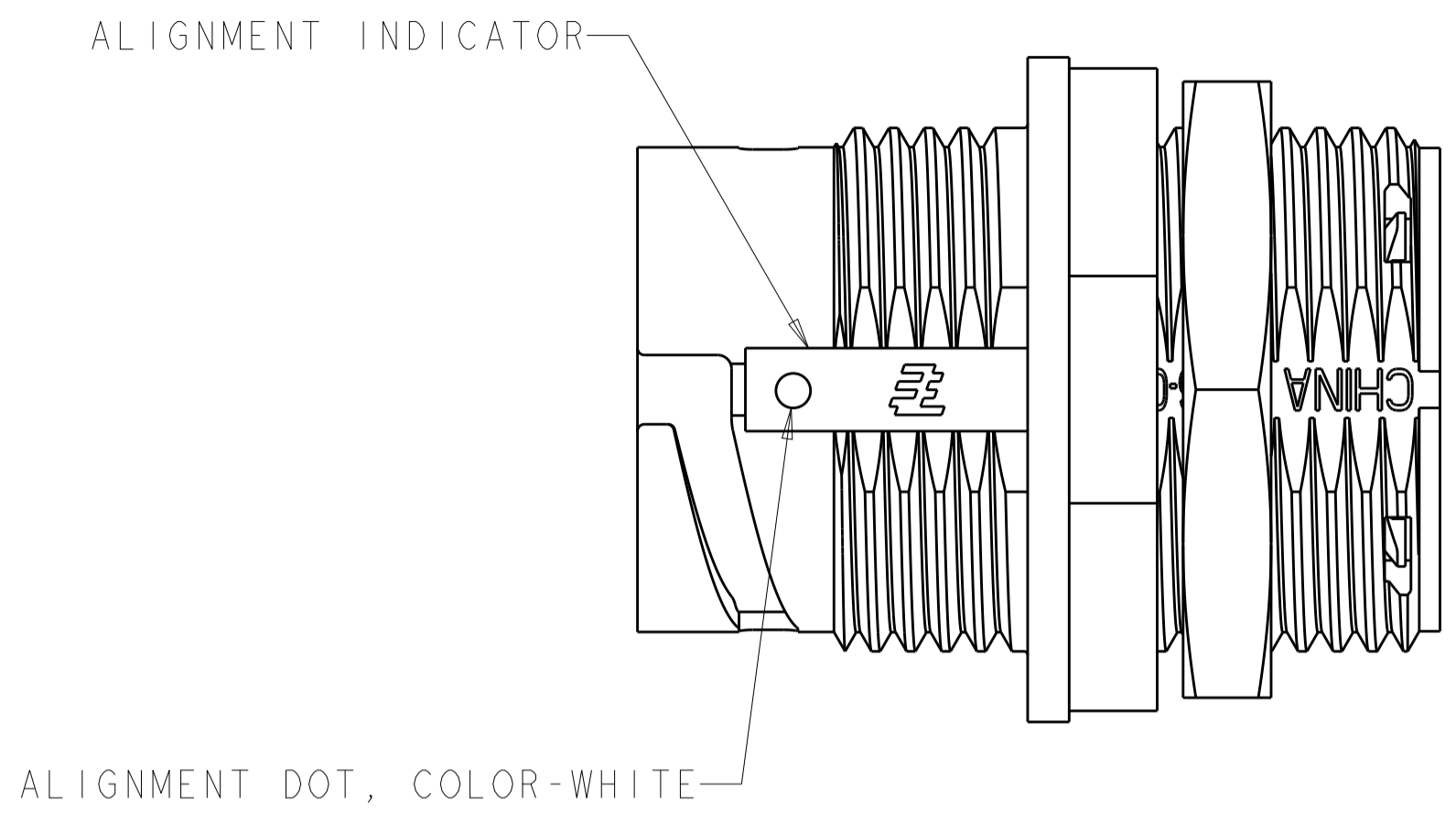


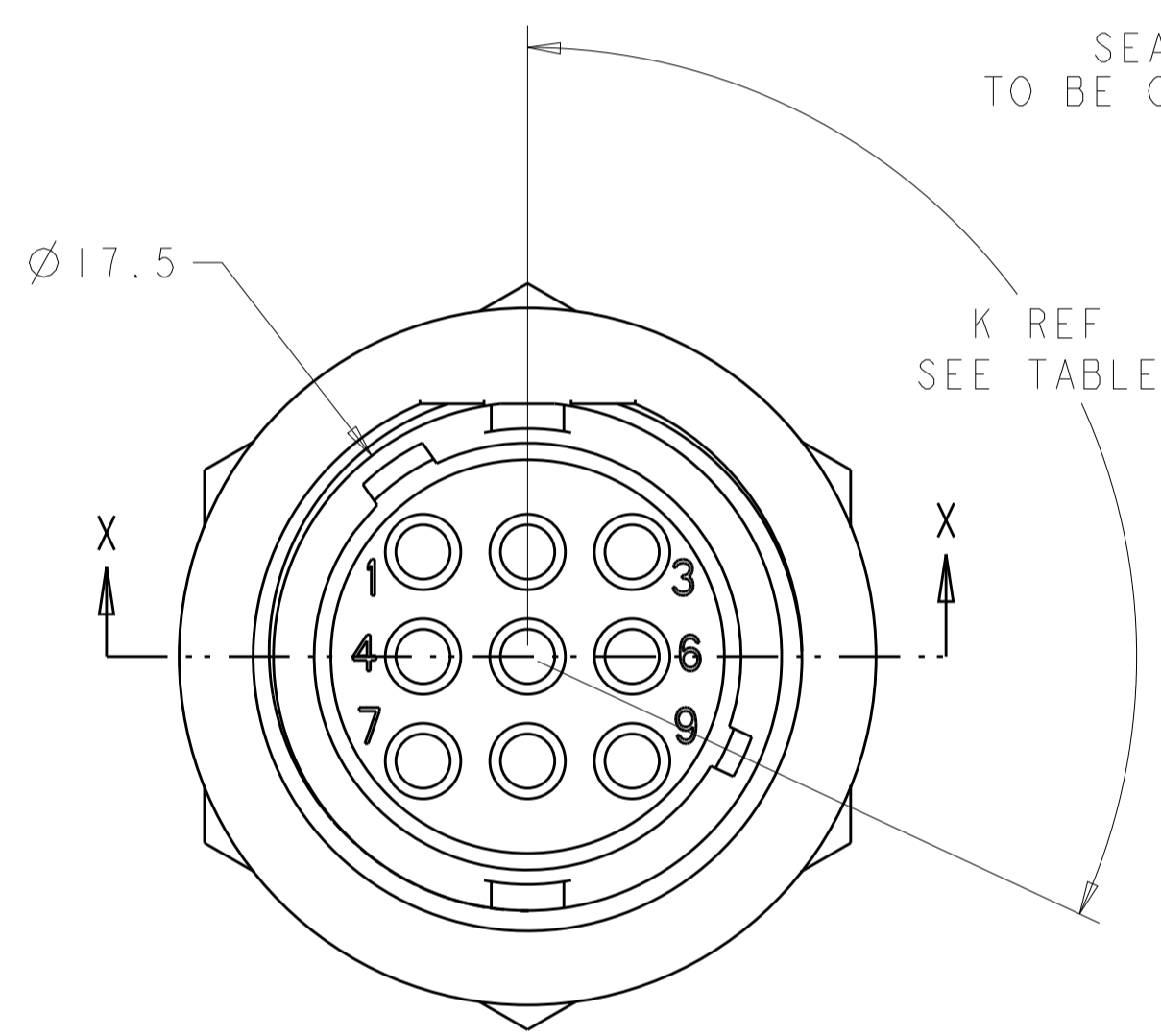
REVISIONS					
P.	LTN	DESCRIPTION	DATE	DWN	APVD
C3		REVISED PER ECO-15-010004	13JUL2015	NK	MZ
D		REVISED PER ECO-16-018352	25MAR2017	RS	MZ



SUGGESTED PANEL CUTOUT  $\Delta$   
SCALE 3:1

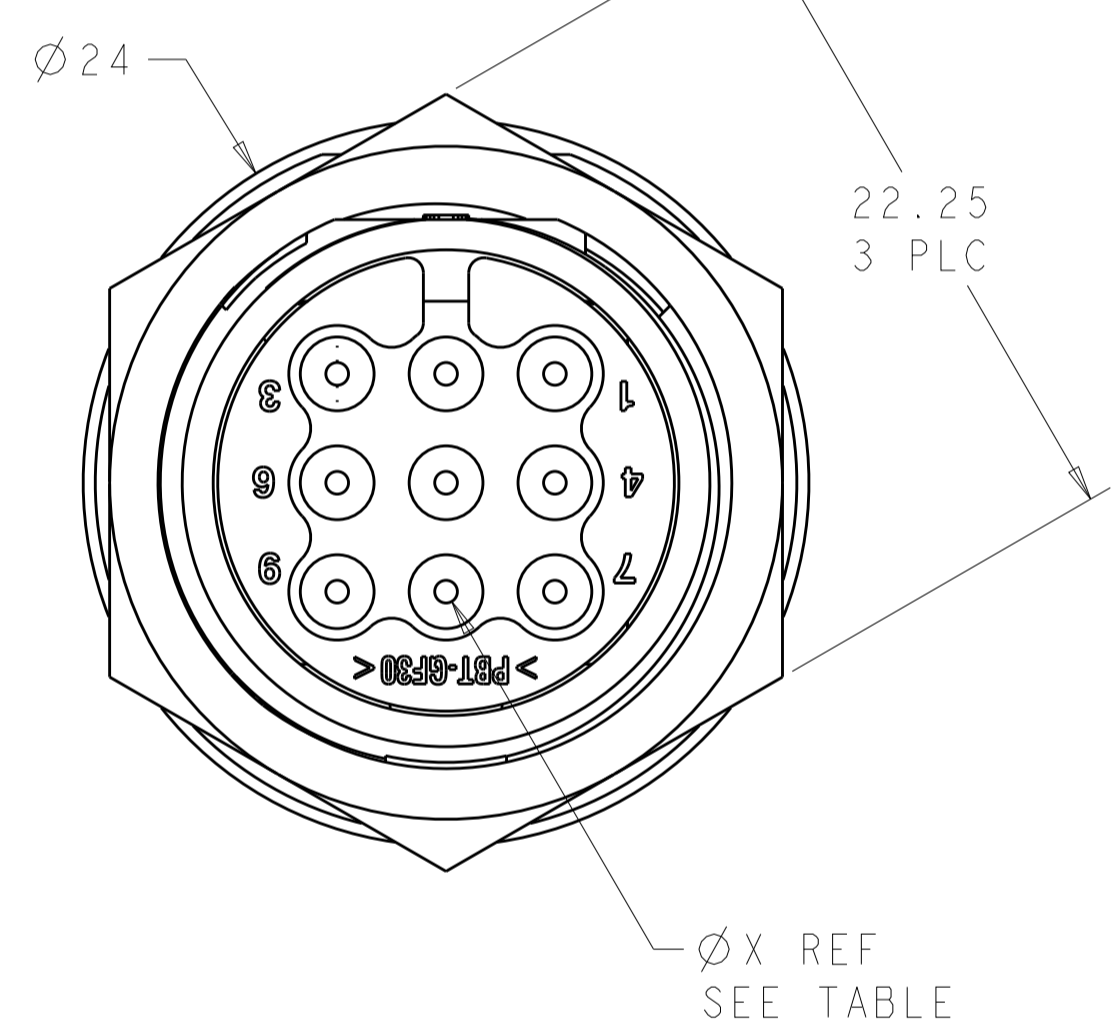
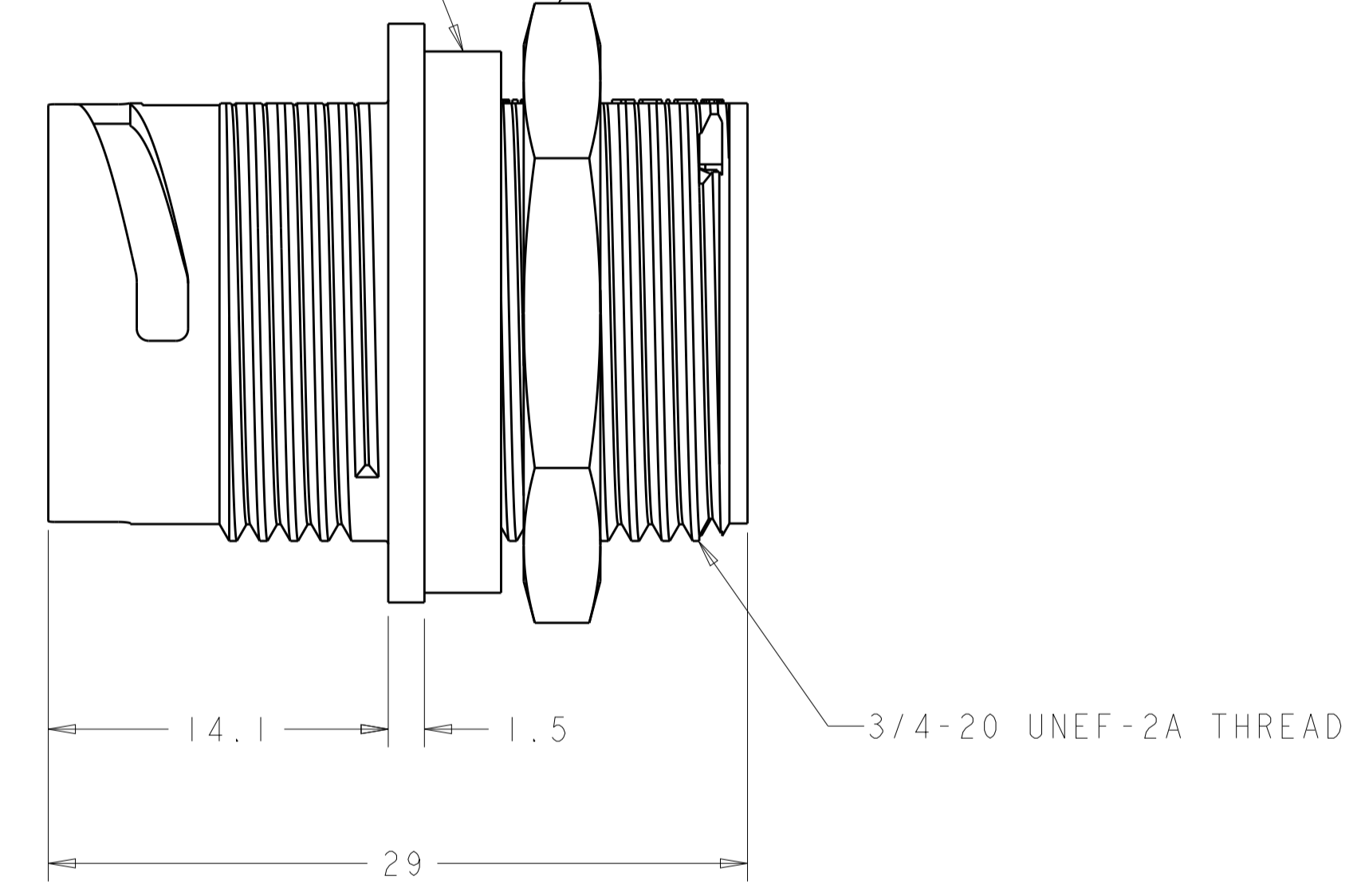


1. CONNECTOR CAN BE FRONT OR REAR PANEL MOUNTED.  
 $\Delta$  MAX PANEL THICKNESS - 3.18

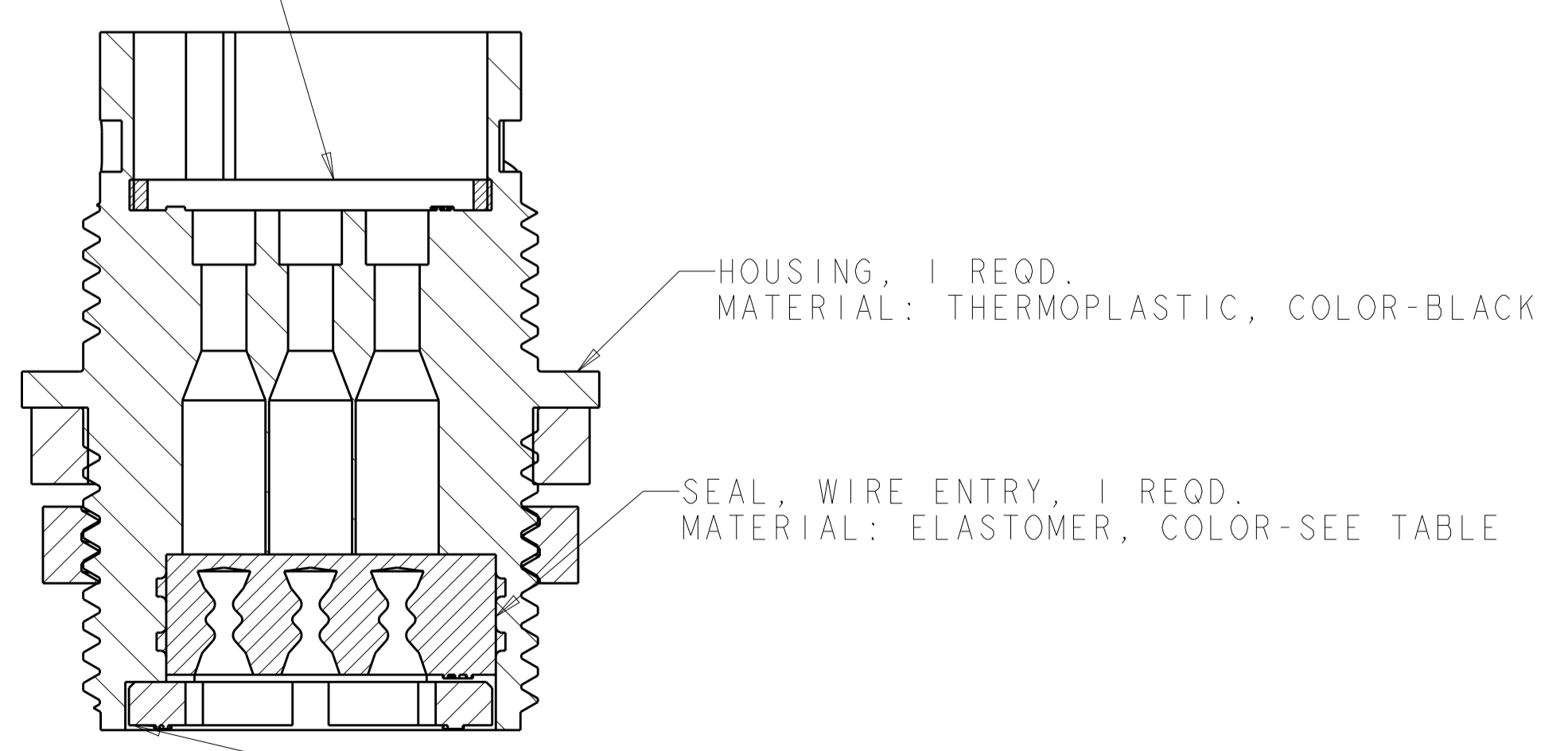


SEAL, PANEL; SHOWN FOR REFERENCE ONLY, TO BE ORDERED SEPARATELY, PART #1445420-02

JAM NUT, SHOWN FOR REFERENCE ONLY, TO BE ORDERED SEPARATELY, PART # 1445904-1



SEAL, PERIPHERAL, 1 REQD.  
MATERIAL: ELASTOMER, COLOR-GRAY



SECTION X-X

OBSOLETE	Ø 1.5	135°	B	NATURAL	BROWN	1445816-7
OBSOLETE	Ø 0.75	135°	B	YELLOW	RED	1445816-4
OBSOLETE	Ø 1.5	115°	A	NATURAL	BLACK	1445816-3
OBSOLETE	Ø 1.5	135°	B	NATURAL	RED	1445816-2
	Ø 0.75	115°	A	YELLOW	BLACK	1445816-1
	Ø X REF	K REF	KEYING CODE	WIRE ENTRY SEAL COLOR	HOUSING COLOR	PART NUMBER

THIS DRAWING IS A CONTROLLED DOCUMENT.

DWN: SHANE WIESE 12OCT2001  
CHK: G DOUTY 12OCT2001  
APVD: H. WAKEEM 13JUN2003

NAME: ASSEMBLY, RECEPTACLE, SIZE 11, 9 POSITION, PANEL MOUNT, SEALED, MINI CPC

SIZE: A100779 CAGE CODE: 1445816 DRAWING NO: 1445816

SCALE: 3:1 SHEET 1 OF 1 REV D

STE TE Connectivity

## X-ON Electronics

Largest Supplier of Electrical and Electronic Components

*Click to view similar products for [Standard Circular Connector](#) category:*

*Click to view products by [TE Connectivity](#) manufacturer:*

Other Similar products are found below :

[5M2530B10P](#) [600259N006](#) [600273N007](#) [6134-336-13149](#) [6134-337-11149](#) [6134-337-2390](#) [6134-341-17149](#) [6280-4SG-516](#) [6280-7SG-3DC](#)  
[6290](#) [6291A](#) [66200A-10](#) [680-SMG](#) [681-PMG](#) [CXS3102A14S2P](#) [CXS3102A181S](#) [7251-5SG-300](#) [7271-6SG-300](#) [7282-3PG-300-CH3](#) [75-](#)  
[474618-01S](#) [75-474618-04P](#) [75-474618-04S](#) [799539-000](#) [MI8-SE](#) [805-005-07NF11-19PC](#) [805-005-07NF15-7PA](#) [8280-4PG-516](#) [8280-7PG-](#)  
[519](#) [8282-5PG-519](#) [836783-1](#) [MP-4102-25P-C](#) [862256-1](#) [864019-2](#) [866857-1](#) [867865-1](#) [PT01SP-14-18P](#) [PT08P-14-5S](#) [PTSF06SE-14-12S](#)  
[120-1833-000](#) [QCM019PC2DC012B](#) [1-2069279-1](#) [121583-0217](#) [121667-0020](#) [129591AU](#) [1000B BULK](#) [RD10A16-19-P6CS051/1](#)  
[RD10A20-31-P8CS051/1](#) [RD16A14-12-S6CS051/2](#) [1301240290](#) [1301240347](#) [1301860202](#)