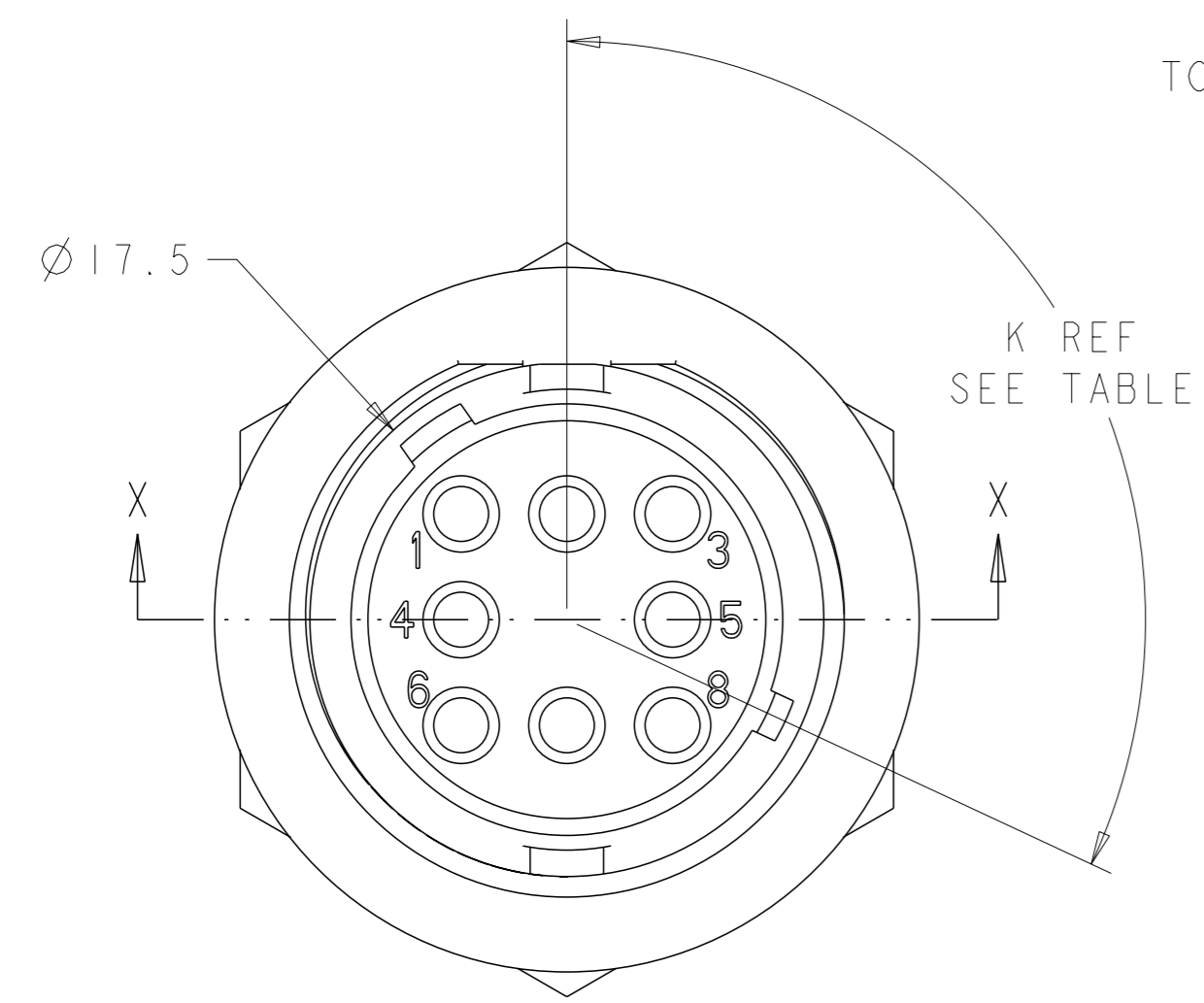
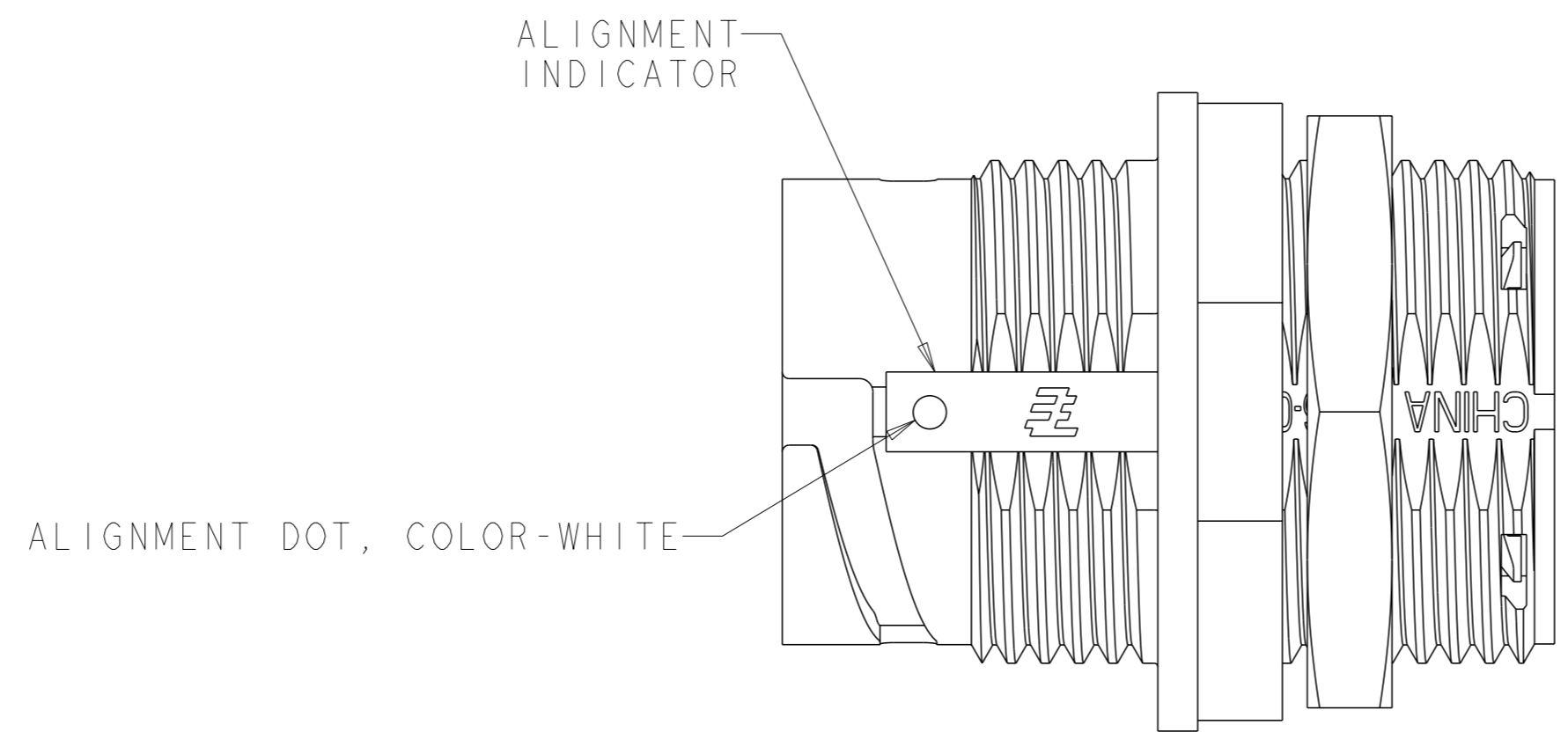
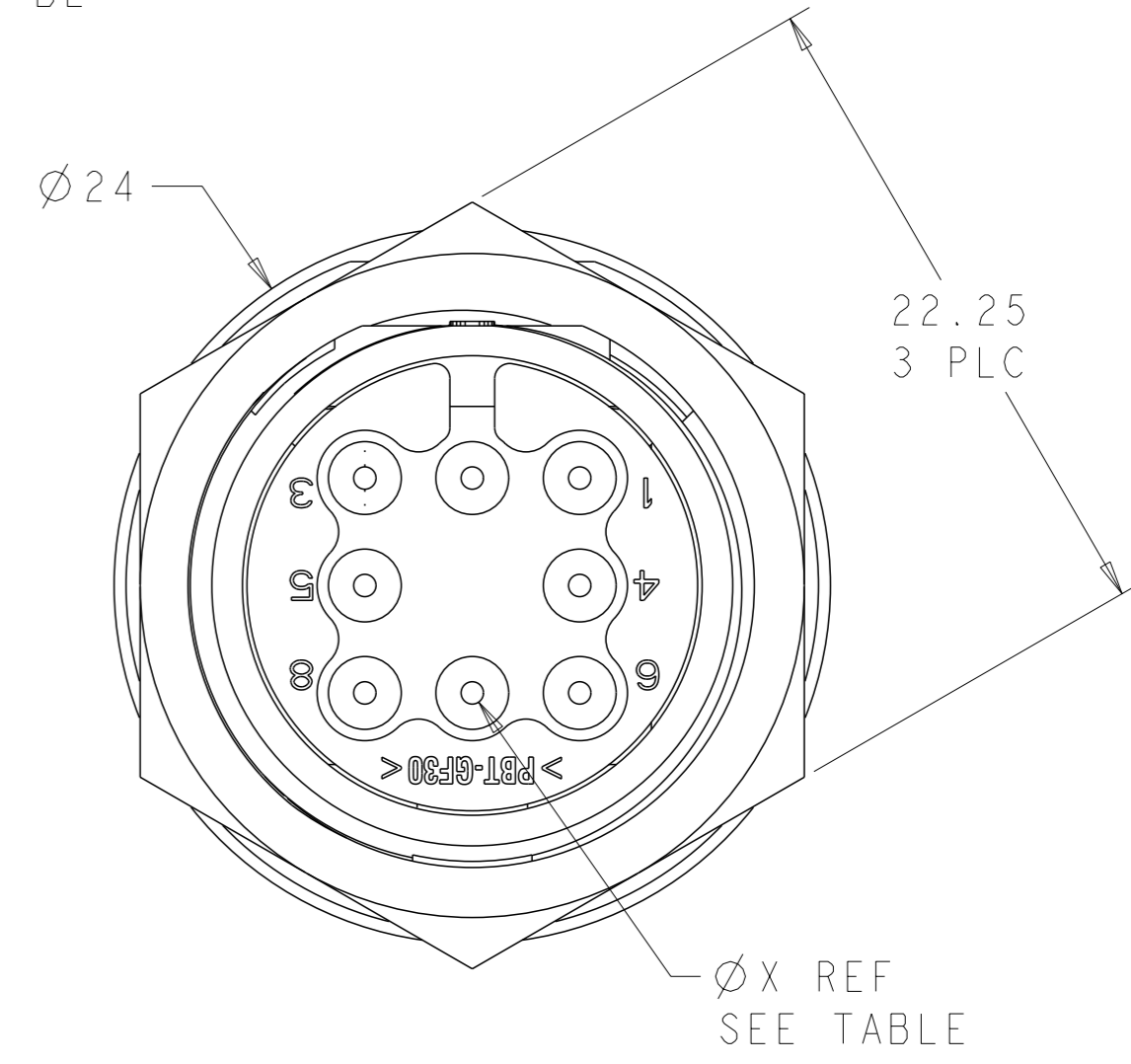
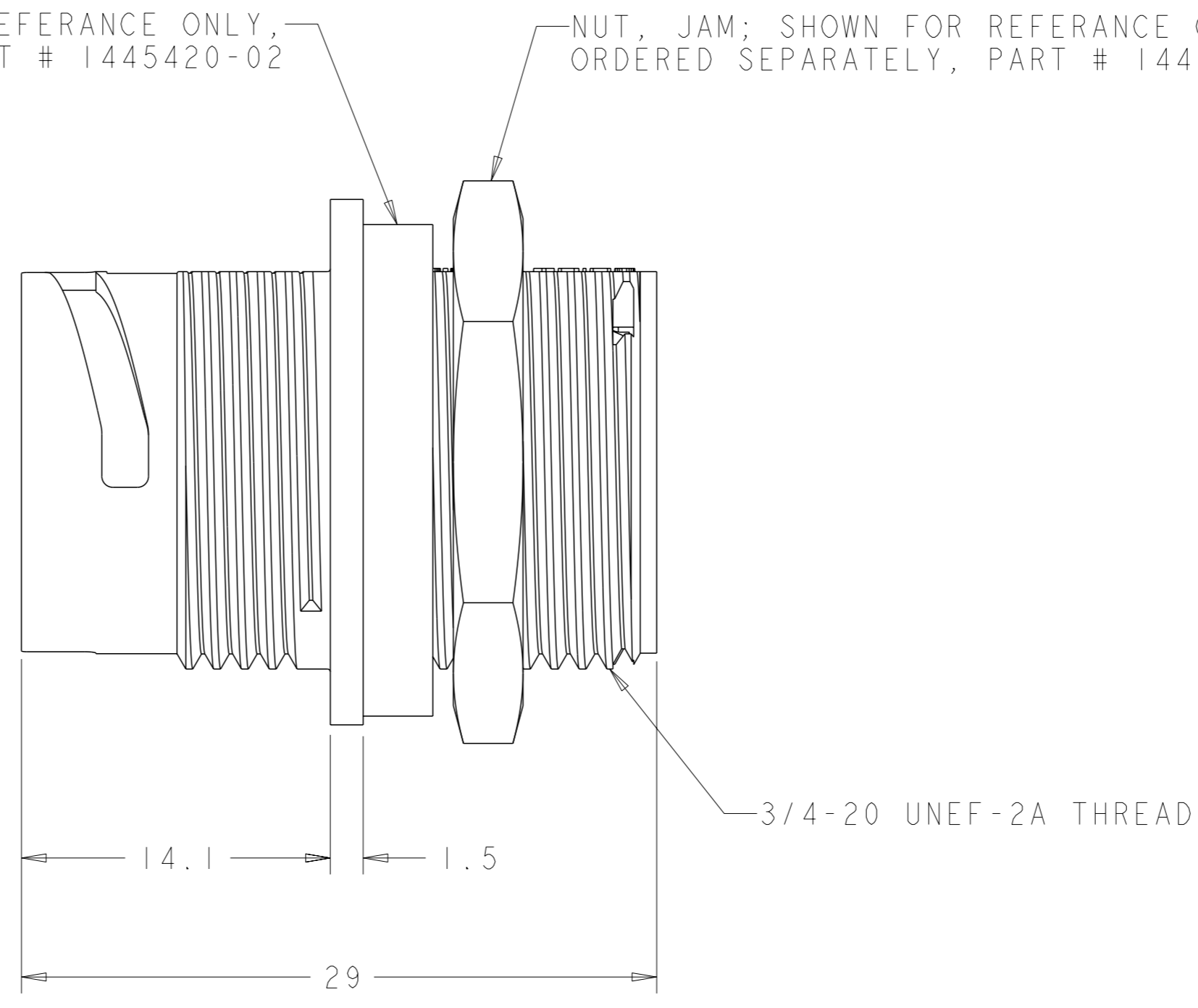


REVISIONS				
#	LY#	DESCRIPTION	DATE	OWN APVD
B2		REVISED PER ECO-15-010004	13JUL2015	NK MZ
C		REVISED PER ECO-17-004650	06APR2017	BDA MZ

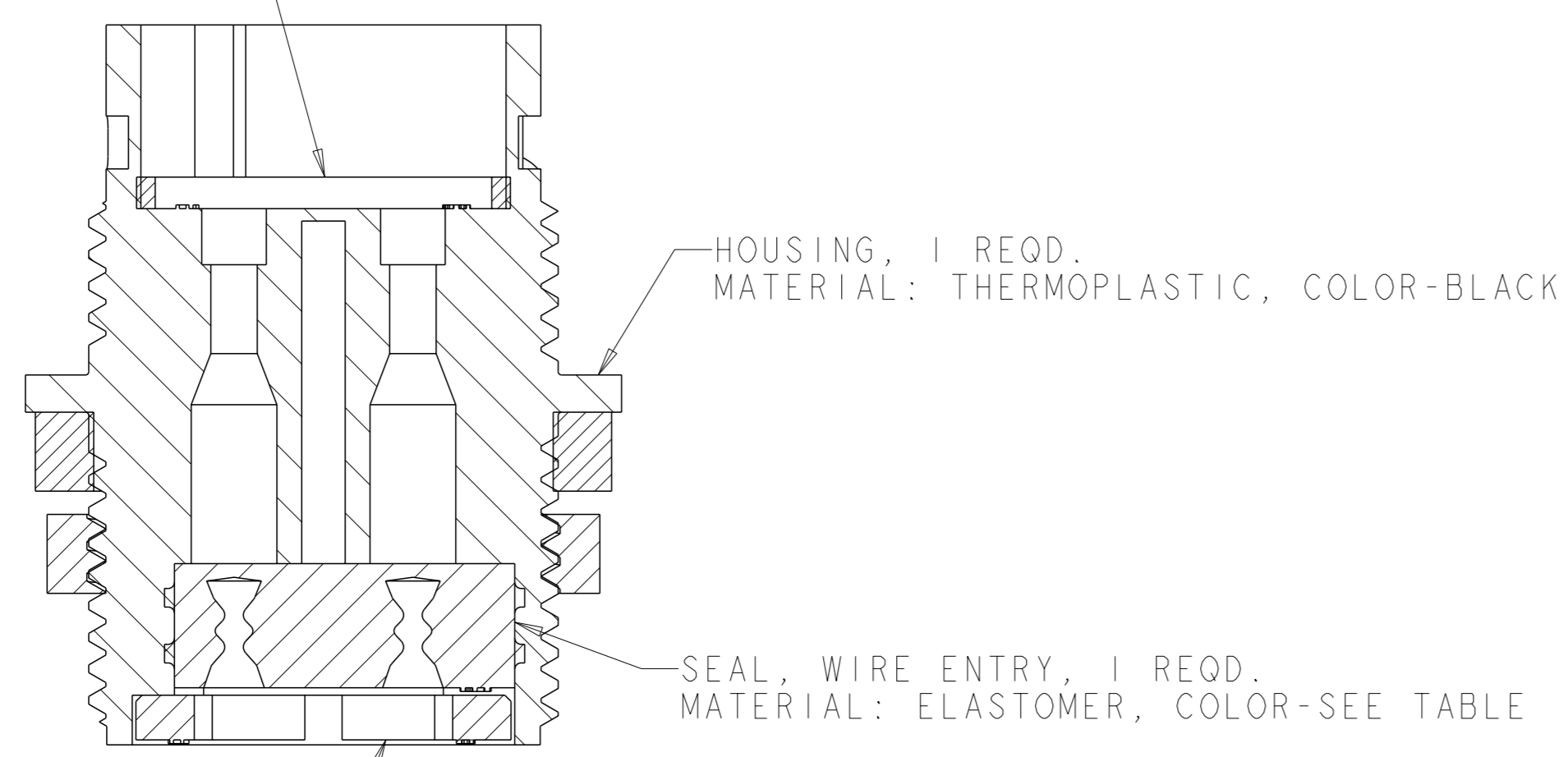


SEAL, PANEL, SHOWN FOR REFERENCE ONLY, TO BE ORDERED SEPARATELY, PART # 1445420-02

NUT, JAM; SHOWN FOR REFERENCE ONLY, TO BE ORDERED SEPARATELY, PART # 1445904-1

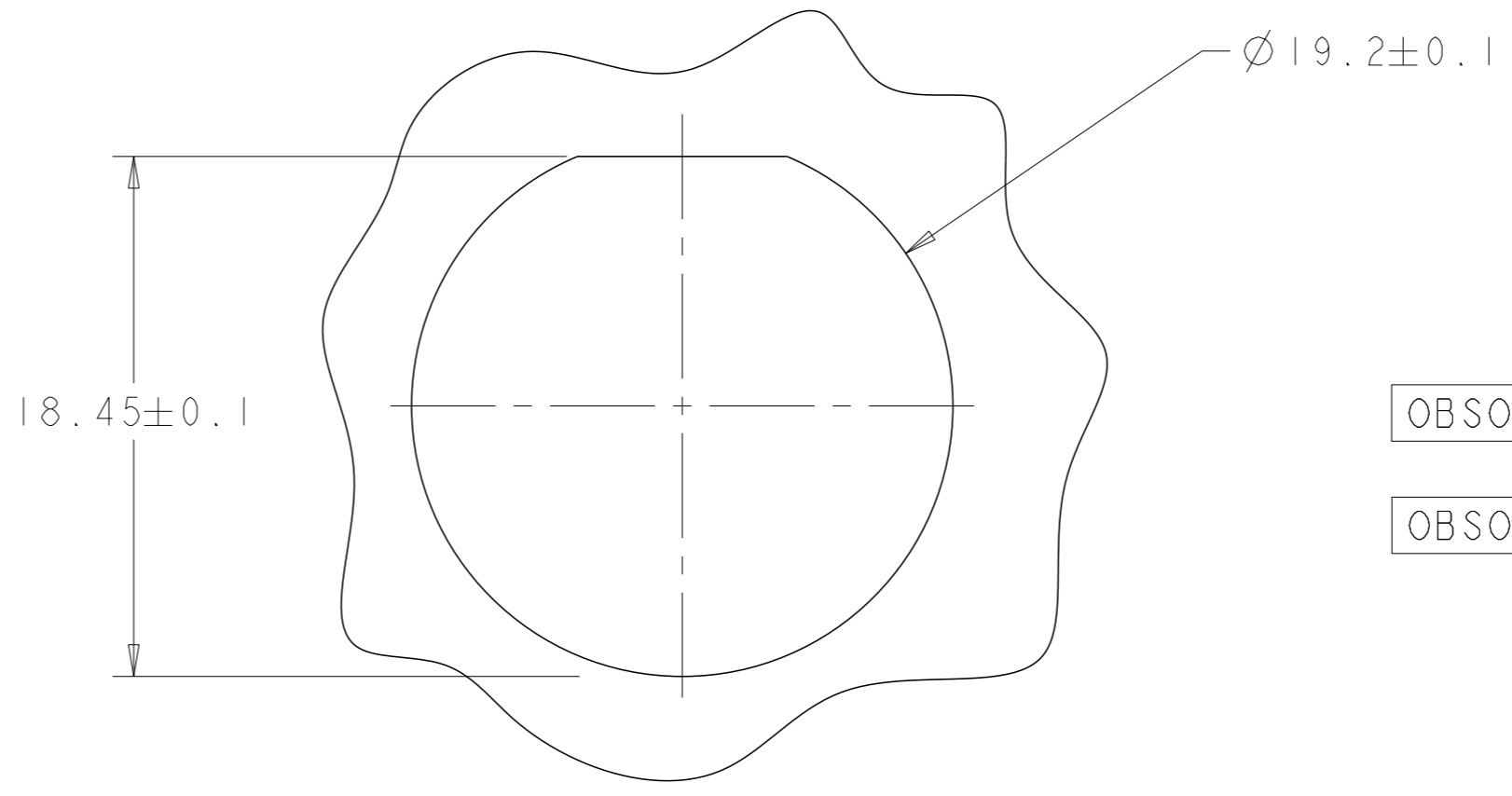


SEAL, PERIPHERAL, 1 REQD. MATERIAL: ELASTOMER, COLOR-GRAY



RETAINER, SEAL, 1 REQD. MATERIAL: THERMOPLASTIC, COLOR-BLACK

SECTION X-X



SUGGESTED PANEL CUTOUT

1. CONNECTOR CAN BE FRONT OR REAR PANEL MOUNTED.  
 △ MAX PANEL THICKNESS - 3.18

OBSOLETE	YELLOW	Ø0.75	135°	1445821-04
	NATURAL	Ø1.5	115°	1445821-03
OBSOLETE	NATURAL	Ø1.5	135°	1445821-02
	YELLOW	Ø0.75	115°	1445821-01
	SEAL, WIRE ENTRY COLOR	ØX REF	K REF	PART NUMBER

THIS DRAWING IS A CONTROLLED DOCUMENT.		OWN SHANE WIESE 12OCT2001	<b>STE</b> TE Connectivity	
DIMENSIONS: mm		CHK G DOUTY 12OCT2001		
TOLERANCES UNLESS OTHERWISE SPECIFIED:		APVD H WAKEEM 13JUN2003	NAME ASSEMBLY, RECEPTACLE, SIZE 11, 8 POSITION, PANEL MOUNT, SEALED, MINI CPC	
0 PLC ±		PRODUCT SPEC	SIZE CAGE CODE DRAWING NO RESTRICTED TO	
1 PLC ±0.13		APPLICATION SPEC	A100779C=1445821	
2 PLC ±		WEIGHT	SCALE 4:1 SHEET 1 OF 1 REV C	
3 PLC ±		CUSTOMER DRAWING		
4 PLC ±				
ANGLES FINISH				

## X-ON Electronics

Largest Supplier of Electrical and Electronic Components

*Click to view similar products for [Standard Circular Connector](#) category:*

*Click to view products by [TE Connectivity](#) manufacturer:*

Other Similar products are found below :

[5M2530B10P](#) [600259N006](#) [600273N007](#) [6134-336-13149](#) [6134-337-11149](#) [6134-337-2390](#) [6134-341-17149](#) [6280-4SG-516](#) [6280-7SG-3DC](#)  
[6290](#) [6291A](#) [66200A-10](#) [680-SMG](#) [681-PMG](#) [CXS3102A14S2P](#) [CXS3102A181S](#) [7271-6SG-300](#) [7282-3PG-300-CH3](#) [75-474014-05S](#) [75-](#)  
[474618-01S](#) [75-474618-04P](#) [75-474618-04S](#) [799539-000](#) [MI8-SE](#) [805-005-07NF11-19PC](#) [805-005-07NF15-7PA](#) [8280-4PG-516](#) [8280-7PG-](#)  
[519](#) [8282-5PG-519](#) [836783-1](#) [MP-4102-25P-C](#) [862256-1](#) [864019-2](#) [866857-1](#) [867865-1](#) [PT01SP-14-18P](#) [PT08P-14-5S](#) [120-1833-000](#)  
[QCM019PC2DC012B](#) [1-2069279-1](#) [121583-0217](#) [121667-0020](#) [129591AU](#) [1000B BULK](#) [RD10A16-19-P6CS051/1](#) [RD10A20-31-](#)  
[P8CS051/1](#) [RD16A14-12-S6CS051/2](#) [1301240290](#) [1301240347](#) [1301860202](#) [1301240268](#)