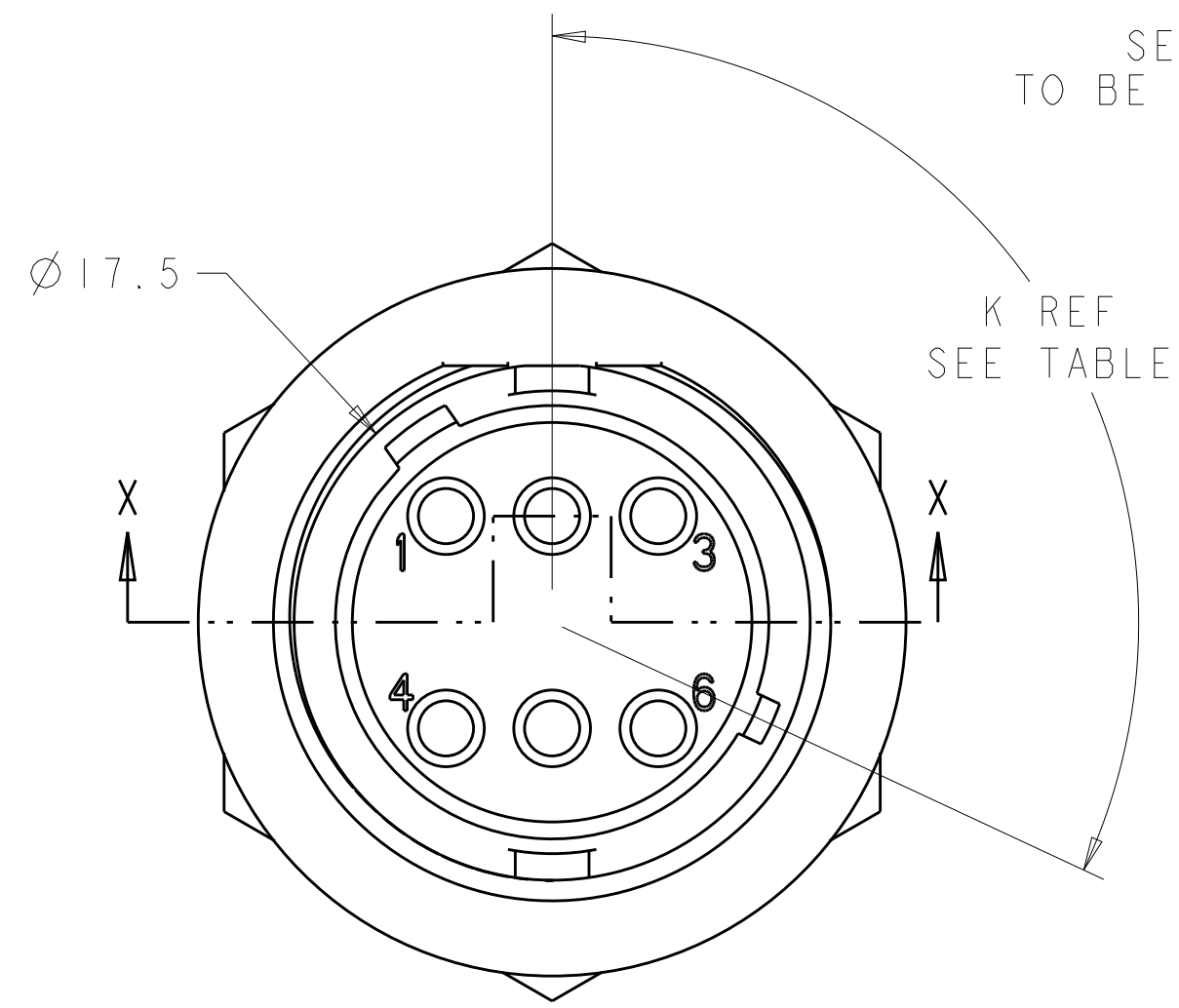
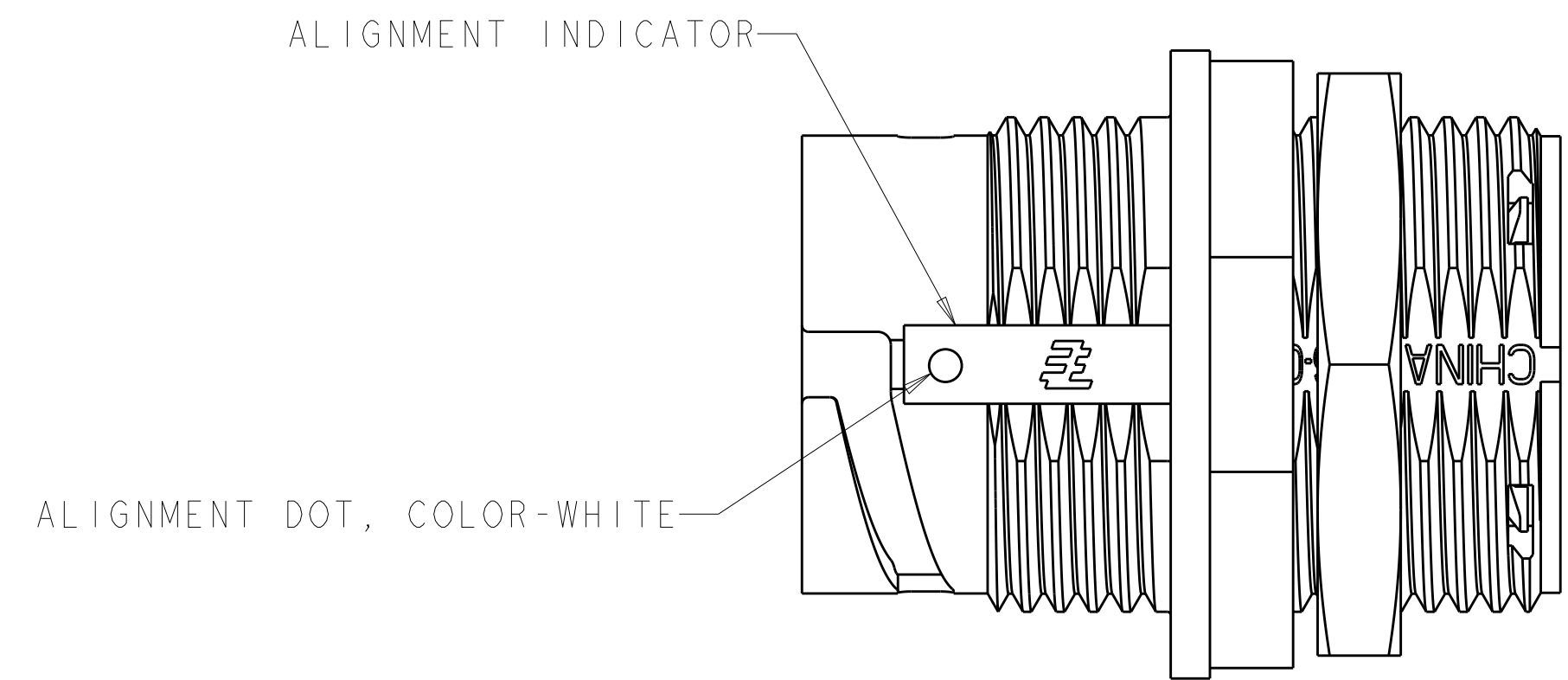
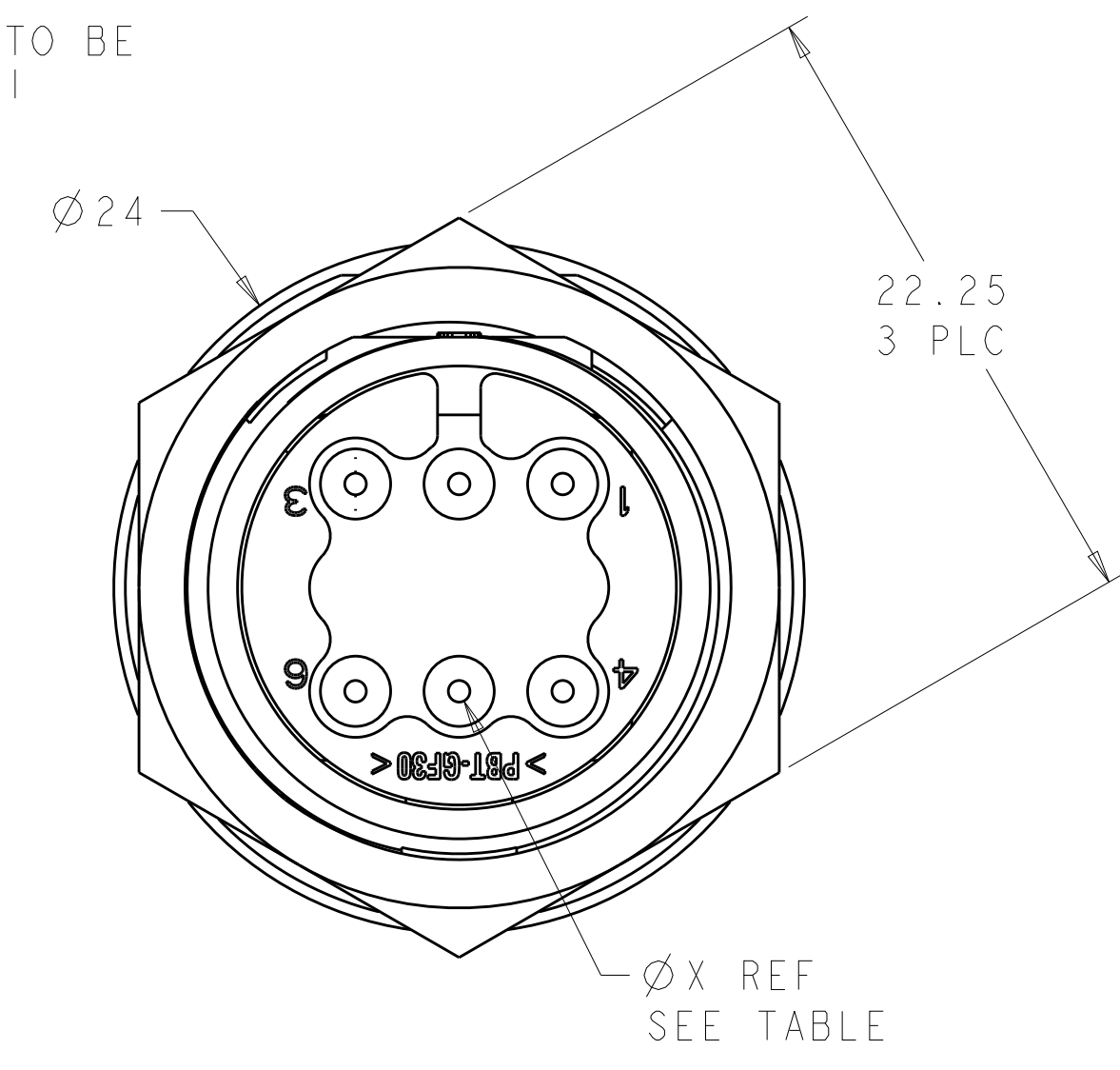
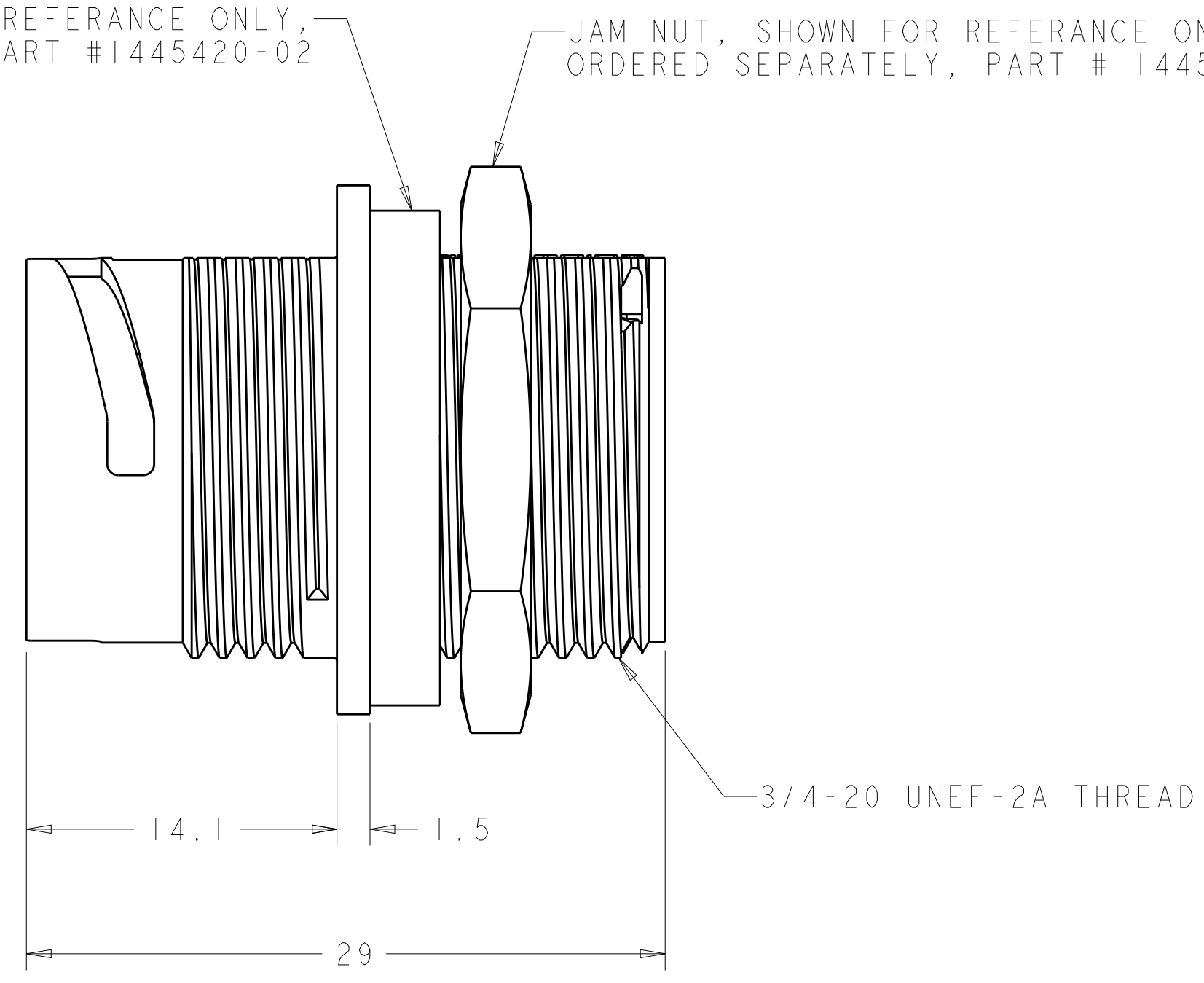


REVISIONS				
P.	LTN	DESCRIPTION	DATE	OWN APVD
B2		REVISED PER ECO-15-010004	13JUL2015	NK MZ
C		REVISED PER ECO-16-018352	24MAR2017	RS MZ

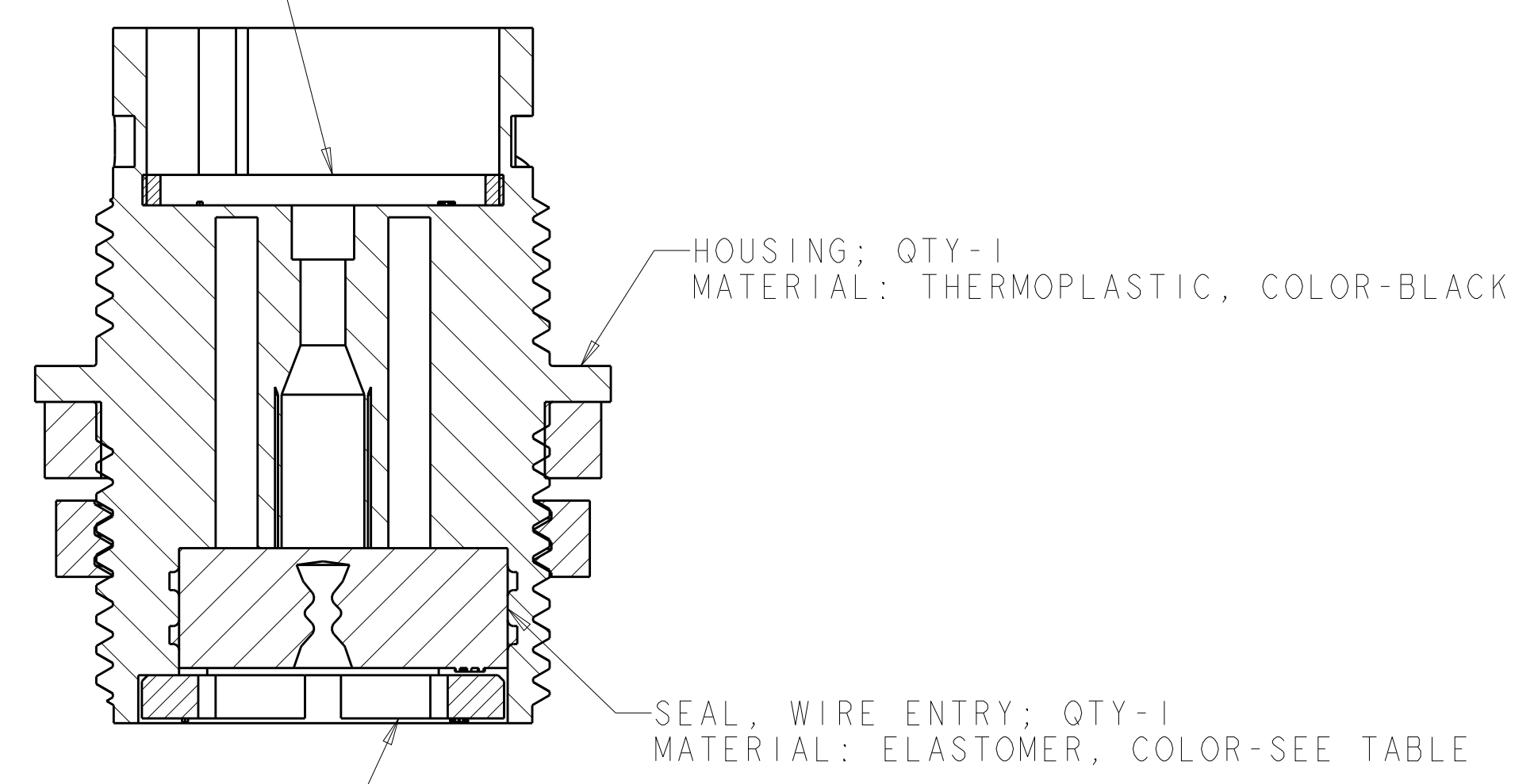


SEAL, PANEL, SHOWN FOR REFERENCE ONLY, TO BE ORDERED SEPARATELY, PART #1445420-02

JAM NUT, SHOWN FOR REFERENCE ONLY, TO BE ORDERED SEPARATELY, PART # 1445904-1



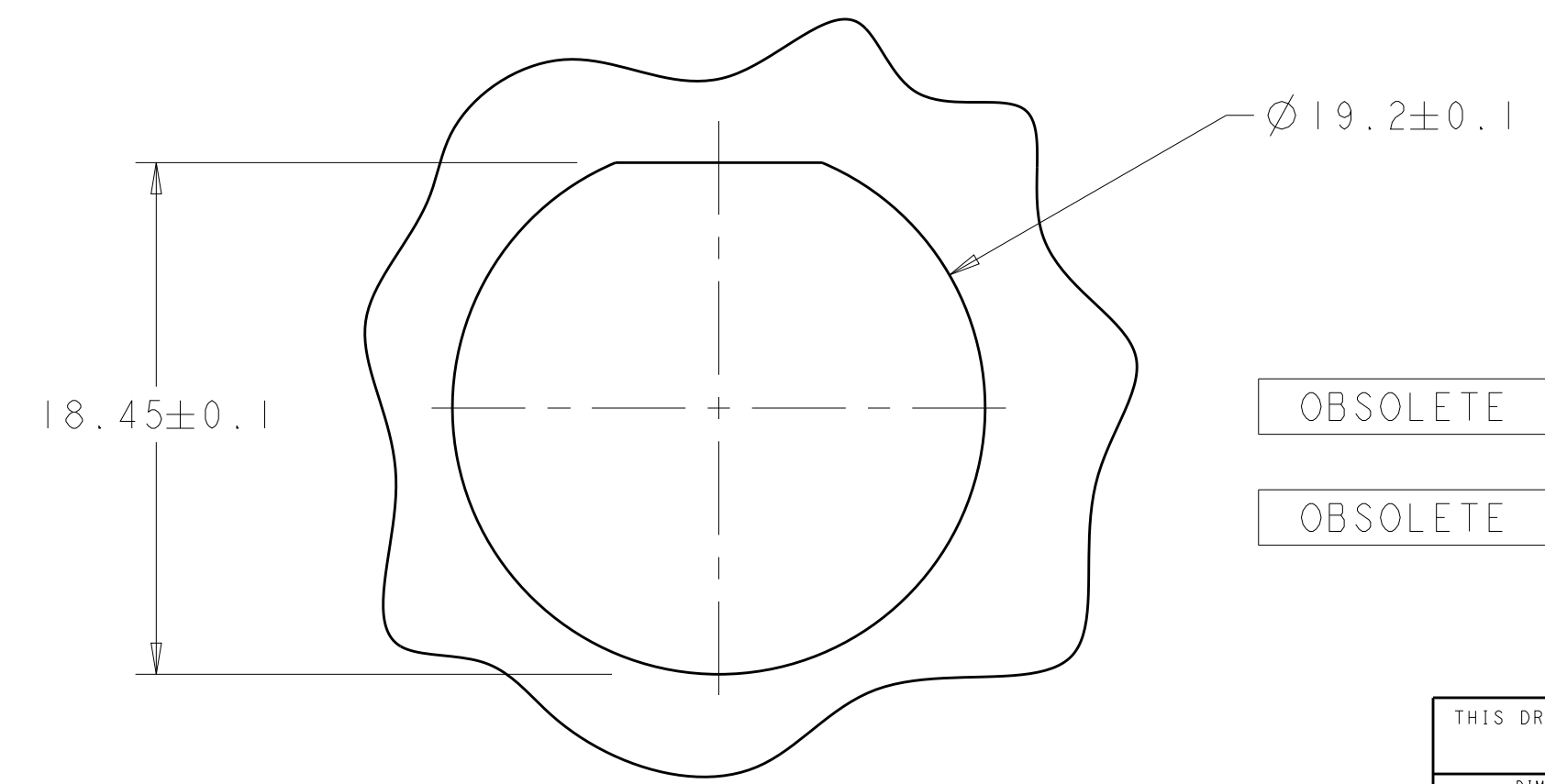
SEAL, PERIPHERAL; QTY-1
 MATERIAL: ELASTOMER, COLOR-GRAY



RETAINER, SEAL; QTY-1
 MATERIAL: THERMOPLASTIC, COLOR-BLACK

SECTION X-X

1. CONNECTOR CAN BE FRONT OR REAR PANEL MOUNTED.
 2. MAX PANEL THICKNESS - 3.18



SUGGESTED PANEL CUTOUT 2

OBSOLETE	YELLOW	Ø 0.75	135°	1445823-04
	NATURAL	Ø 1.5	115°	1445823-03
OBSOLETE	NATURAL	Ø 1.5	135°	1445823-02
	YELLOW	Ø 0.75	115°	1445823-01
	SEAL, WIRE ENTRY COLOR	Ø X REF	K REF	PART NUMBER

THIS DRAWING IS A CONTROLLED DOCUMENT.		OWN SHANE WUEST 15OCT2001	TE Connectivity	
DIMENSIONS: mm		CHK G DOUTY 15OCT2001		
TOLERANCES UNLESS OTHERWISE SPECIFIED:		APVD H. WAKEEM 13JUN2003	NAME ASSEMBLY, RECEPTACLE, SIZE 11, 6 POSITION, PANEL MOUNT, SEALED, MINI CPC	
0 PLC ±		PRODUCT SPEC	SIZE CAGE CODE DRAWING NO RESTRICTED TO	
1 PLC ±0.13		APPLICATION SPEC	A100779C=1445823	
2 PLC ±		WEIGHT	SCALE 4:1 SHEET 1 OF 1 REV C	
3 PLC ±		CUSTOMER DRAWING		
4 PLC ±				
ANGLES ±				
FINISH				
MATERIAL SEE CALLOUT				
SEE CALLOUT				

X-ON Electronics

Largest Supplier of Electrical and Electronic Components

Click to view similar products for [Standard Circular Connector](#) category:

Click to view products by [TE Connectivity](#) manufacturer:

Other Similar products are found below :

[5M2530B10P](#) [600259N006](#) [600273N007](#) [6134-336-13149](#) [6134-337-11149](#) [6134-337-2390](#) [6134-341-17149](#) [6280-4SG-516](#) [6280-7SG-3DC](#)
[6290](#) [6291A](#) [66200A-10](#) [680-SMG](#) [681-PMG](#) [CXS3102A14S2P](#) [CXS3102A181S](#) [7251-5SG-300](#) [7271-6SG-300](#) [7282-3PG-300-CH3](#) [75-](#)
[474618-01S](#) [75-474618-04P](#) [75-474618-04S](#) [799539-000](#) [MI8-SE](#) [805-005-07NF11-19PC](#) [805-005-07NF15-7PA](#) [8280-4PG-516](#) [8280-7PG-](#)
[519](#) [8282-5PG-519](#) [836783-1](#) [MP-4102-25P-C](#) [862256-1](#) [864019-2](#) [866857-1](#) [867865-1](#) [PT01SP-14-18P](#) [PT08P-14-5S](#) [PTSF06SE-14-12S](#)
[120-1833-000](#) [QCM019PC2DC012B](#) [1-2069279-1](#) [121583-0217](#) [121667-0020](#) [129591AU](#) [1000B BULK](#) [RD10A16-19-P6CS051/1](#)
[RD10A20-31-P8CS051/1](#) [RD16A14-12-S6CS051/2](#) [1301240290](#) [1301240347](#) [1301860202](#)