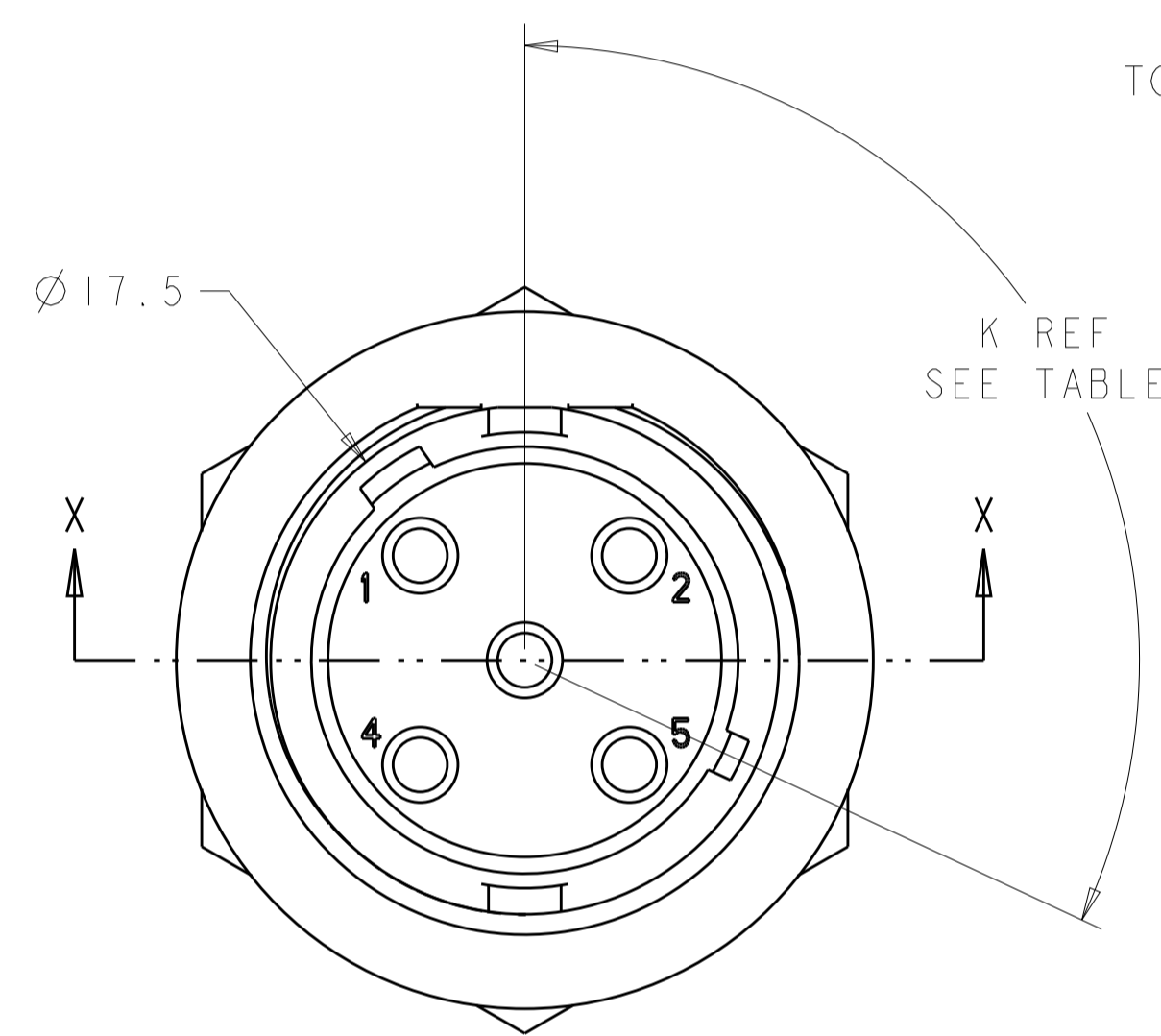
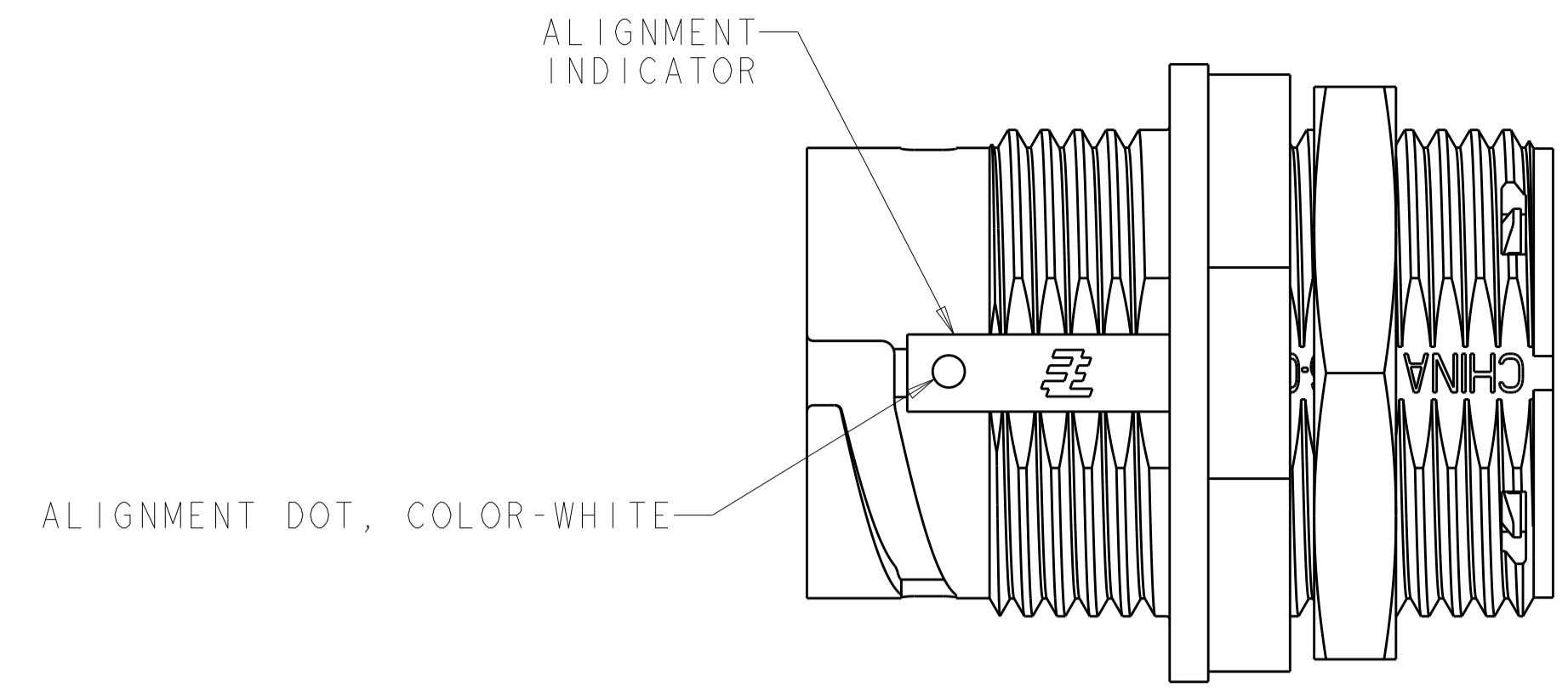
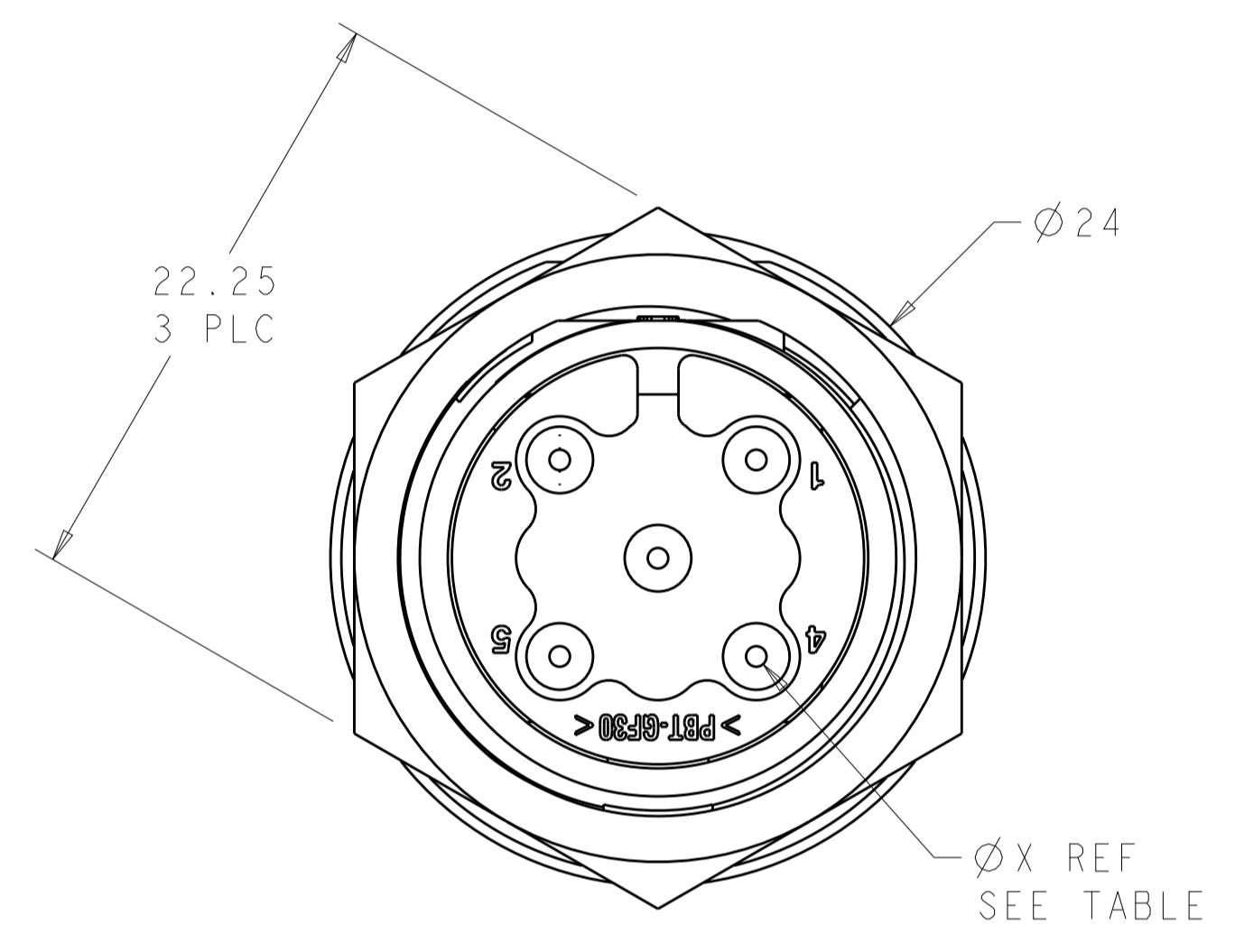
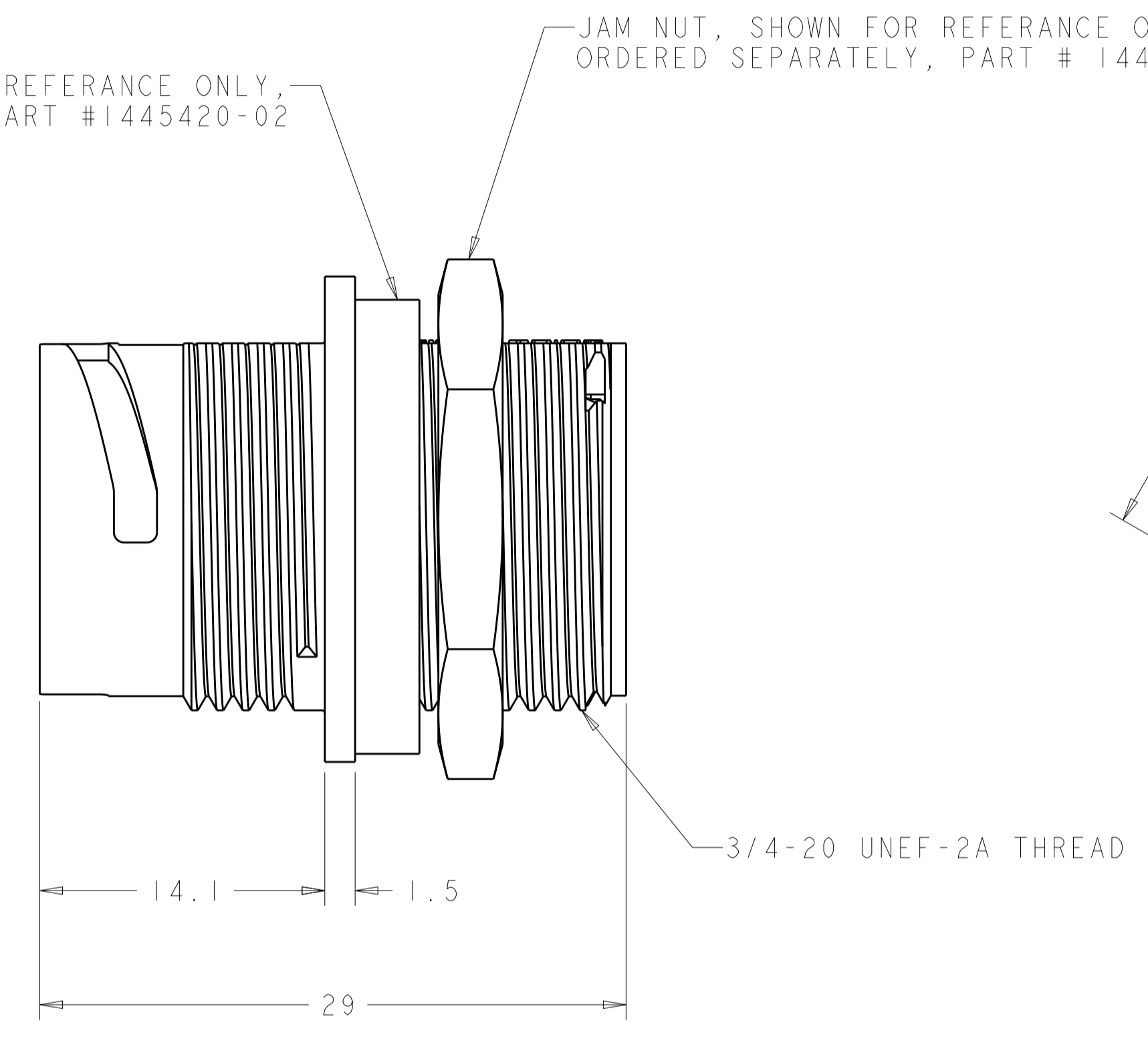


REVISIONS				
P.	LTM	DESCRIPTION	DATE	OWN APVD
B2		REVISED PER ECO-15-010004	13JUL2015	NK MZ
C		REVISED PER ECO-16-018352	24MAR2017	RS MZ

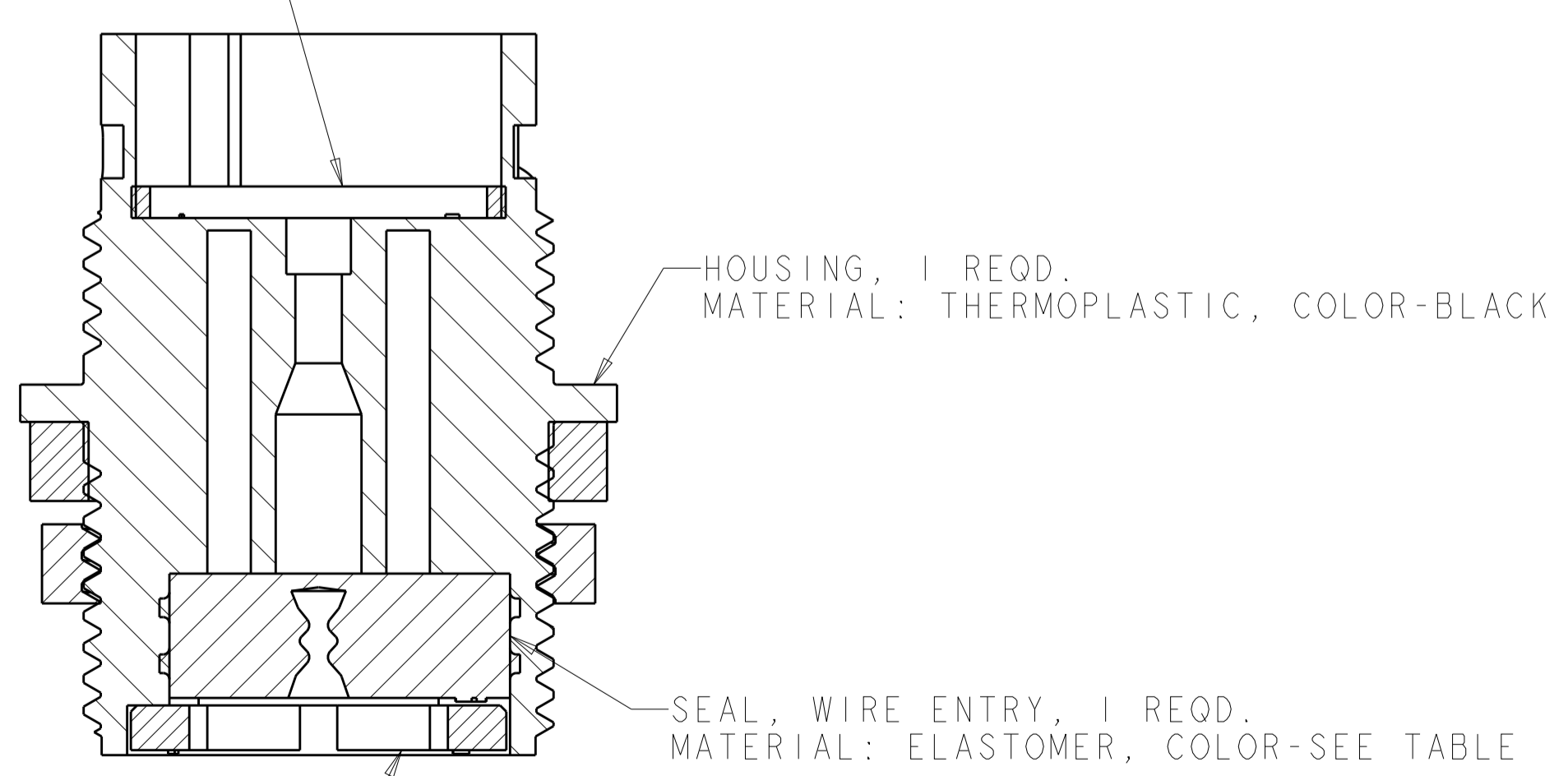


SEAL, PANEL; SHOWN FOR REFERENCE ONLY, TO BE ORDERED SEPARATELY, PART # 1445420-02

JAM NUT, SHOWN FOR REFERENCE ONLY, TO BE ORDERED SEPARATELY, PART # 1445904-1

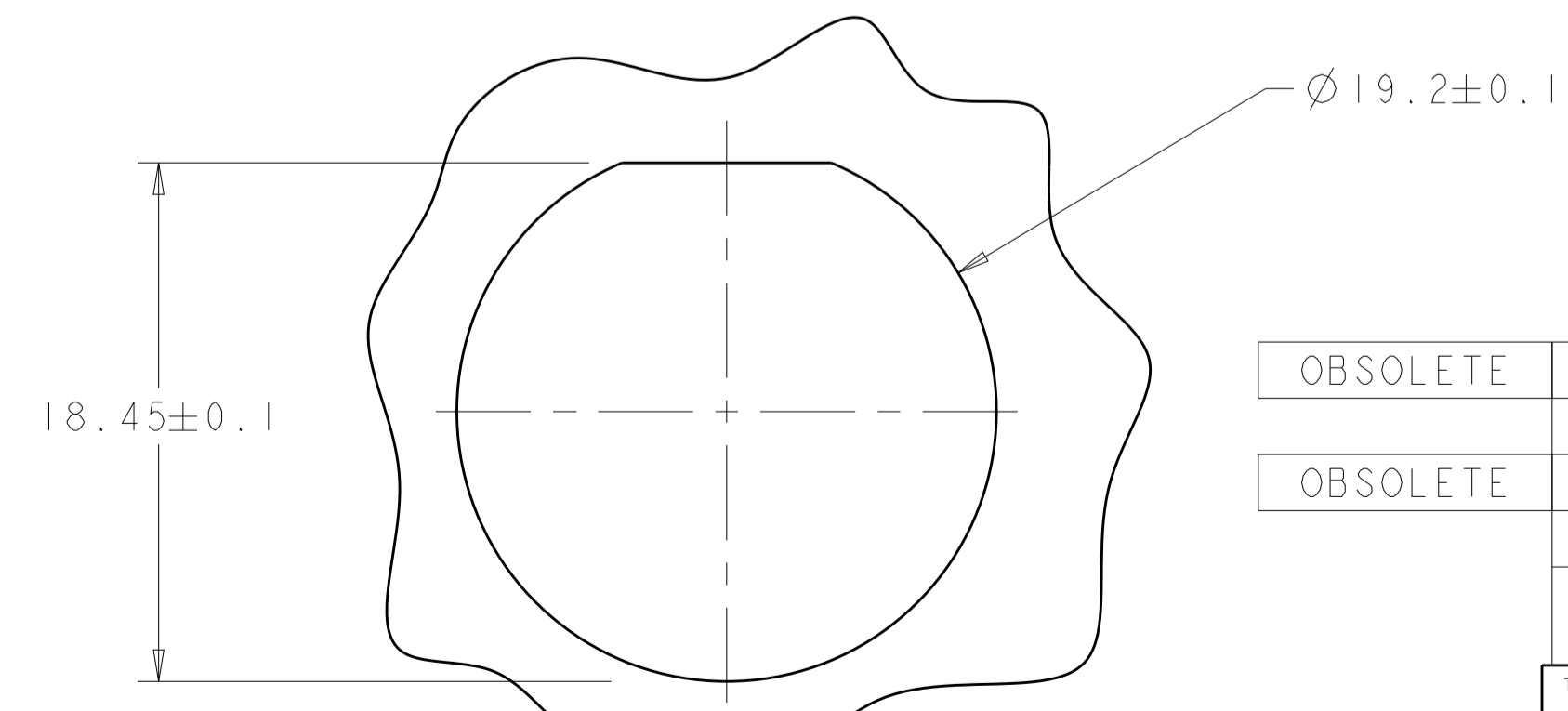


SEAL, PERIPHERAL, 1 REQD. MATERIAL: ELASTOMER, COLOR-GRAY



RETAINER, SEAL, 1 REQD. MATERIAL: THERMOPLASTIC, COLOR-BLACK

1. CONNECTOR CAN BE FRONT OR REAR PANEL MOUNTED.
 △ MAX PANEL THICKNESS - 3.18



OBSELETE	YELLOW	Ø 0.75	135°	1445824-04
	NATURAL	Ø 1.5	115°	1445824-03
OBSELETE	NATURAL	Ø 1.5	135°	1445824-02
	YELLOW	Ø 0.75	115°	1445824-01
SEAL, WIRE ENTRY COLOR		Ø X REF	K REF	PART NUMBER

THIS DRAWING IS A CONTROLLED DOCUMENT. DWN: SHANE WIESE, 15OCT2001
 CHK: G. DOUTY, 15OCT2001
 APVD: H. WAKEEM, 13JUN2003

TE Connectivity

NAME: ASSEMBLY, RECEPTACLE, SIZE 11, 5 POSITION, PANEL MOUNT, SEALED, MINI CPC

SIZE: A100779 CAGE CODE: 1445824 DRAWING NO: 1445824-01

MATERIAL: SEE CALLOUT FINISH: SEE CALLOUT WEIGHT: -

CUSTOMER DRAWING SCALE: 4:1 SHEET 1 OF 1 REV C

X-ON Electronics

Largest Supplier of Electrical and Electronic Components

Click to view similar products for [Standard Circular Connector](#) category:

Click to view products by [TE Connectivity](#) manufacturer:

Other Similar products are found below :

[5M2530B10P](#) [600259N006](#) [600273N007](#) [6134-336-13149](#) [6134-337-11149](#) [6134-337-2390](#) [6134-341-17149](#) [6280-4SG-516](#) [6280-7SG-3DC](#)
[6290](#) [6291A](#) [66200A-10](#) [680-SMG](#) [681-PMG](#) [CXS3102A14S2P](#) [CXS3102A181S](#) [7271-6SG-300](#) [7282-3PG-300-CH3](#) [75-474618-01S](#) [75-](#)
[474618-04P](#) [75-474618-04S](#) [799539-000](#) [MI8-SE](#) [805-005-07NF11-19PC](#) [805-005-07NF15-7PA](#) [8280-4PG-516](#) [8280-7PG-519](#) [8282-5PG-](#)
[519](#) [836783-1](#) [MP-4102-25P-C](#) [862256-1](#) [864019-2](#) [866857-1](#) [867865-1](#) [PT01SP-14-18P](#) [PT08P-14-5S](#) [120-1833-000](#)
[QCM019PC2DC012B](#) [1-2069279-1](#) [121583-0217](#) [121667-0020](#) [129591AU](#) [1000B BULK](#) [RD10A16-19-P6CS051/1](#) [RD10A20-31-](#)
[P8CS051/1](#) [RD16A14-12-S6CS051/2](#) [1301240290](#) [1301240347](#) [1301860202](#) [1301240268](#) [1301240275](#)