

THIS DRAWING IS UNPUBLISHED.

RELEASED FOR PUBLICATION

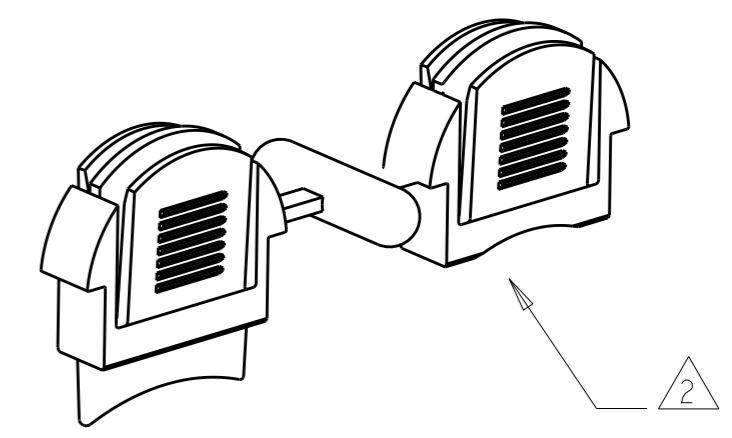
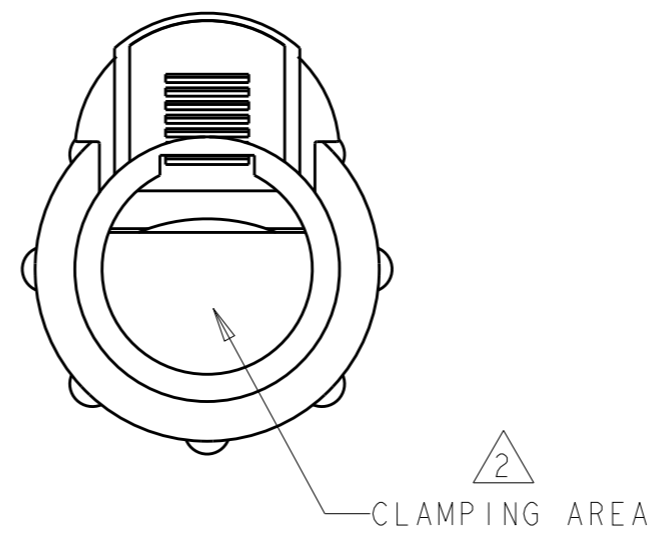
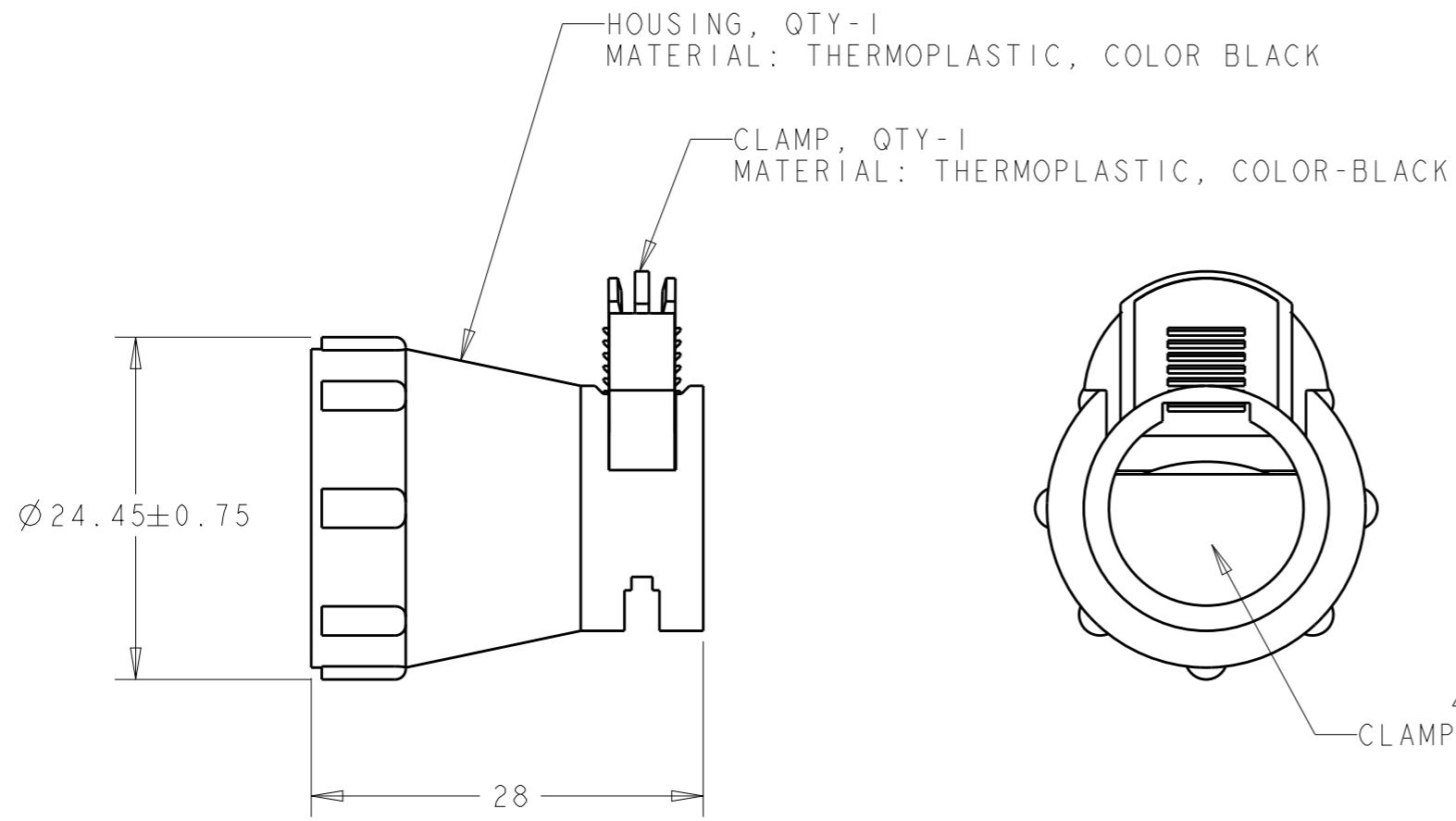
20

© COPYRIGHT 20 BY -

ALL RIGHTS RESERVED.


REVISIONS

P	LTR	DESCRIPTION	DATE	DWN	APVD
	A	RELEASED EC 0G3B-0881-04	13OCT2004	SW	HW
	B	REVISED PER ECO-16-018352	23MAR2017	RS	MZ



- 1. PARTS PACKAGED UNASSEMBLED.
- 2. CABLE CLAMPING AREA ADJUSTABLE FROM 2.35mm² TO 114.45mm².
2 CLAMPS SUPPLIED PER ASSEMBLY.
- 3. MAXIMUM CABLE IS Ø12.

OBSOLETE	BULK	1445856-2
	INDIVIDUAL	1445856-1
	PACKAGING	PART NUMBER

THIS DRAWING IS A CONTROLLED DOCUMENT.		DWN SHANE WIEST 11OCT2001	 TE Connectivity	
DIMENSIONS: mm		CHK G DOUTY 11OCT2001		
TOLERANCES UNLESS OTHERWISE SPECIFIED:		APVD H WAKFEM 16JUN2003	NAME ASSEMBLY, VERTICAL, STRAIN RELIEF, SIZE 11, MINI CPC	
0 PLC ±-		PRODUCT SPEC	-	
1 PLC ±-		APPLICATION SPEC	-	
2 PLC ±0.13		WEIGHT	-	
3 PLC ±-		CUSTOMER DRAWING	SCALE 2:1	
4 PLC ±-		FINISH	SHEET 1 OF 1	
ANGLES ±-		SEE CALLOUT	REV B	
MATERIAL		SEE CALLOUT	SIZE A3	CAGE CODE 00779
			DRAWING NO 1445856	RESTRICTED TO -

X-ON Electronics

Largest Supplier of Electrical and Electronic Components

Click to view similar products for [Standard Circular Connector](#) category:

Click to view products by [TE Connectivity](#) manufacturer:

Other Similar products are found below :

[5M2530B10P](#) [600259N006](#) [600273N007](#) [6134-336-13149](#) [6134-337-11149](#) [6134-337-2390](#) [6134-341-17149](#) [6280-4SG-516](#) [6280-7SG-3DC](#)
[6290](#) [6291A](#) [66200A-10](#) [680-SMG](#) [681-PMG](#) [CXS3102A14S2P](#) [CXS3102A181S](#) [7271-6SG-300](#) [7282-3PG-300-CH3](#) [75-474014-05S](#) [75-](#)
[474618-01S](#) [75-474618-04P](#) [75-474618-04S](#) [799539-000](#) [MI8-SE](#) [805-005-07NF11-19PC](#) [805-005-07NF15-7PA](#) [8280-4PG-516](#) [8280-7PG-](#)
[519](#) [8282-5PG-519](#) [836783-1](#) [MP-4102-25P-C](#) [862256-1](#) [864019-2](#) [866857-1](#) [867865-1](#) [PT01SP-14-18P](#) [PT08P-14-5S](#) [120-1833-000](#)
[QCM019PC2DC012B](#) [1-2069279-1](#) [121583-0217](#) [121667-0020](#) [129591AU](#) [1000B BULK](#) [RD10A16-19-P6CS051/1](#) [RD10A20-31-](#)
[P8CS051/1](#) [RD16A14-12-S6CS051/2](#) [1301240290](#) [1301240347](#) [1301860202](#) [1301240268](#)